

High Power DPDT Switch for GSM

Description

The CXG1045N is a DPDT (Dual Pole Dual Throw) antenna switch MMIC used in personal communication handsets such as GSM, GSM1800 or dualband. This IC is designed using the Sony's GaAs J-FET process.

Features

- Low insertion loss: 0.4dB (Typ.) @900MHz
0.7dB (Typ.) @1.8GHz
- High power switching P1dB: 38dBm (Typ.) @900MHz
37dBm (Typ.) @1.8GHz
- Small package SSOP-8pin: (3 × 6.4 × 1.25mm)
- Low current: 200μA (Typ.)

Application

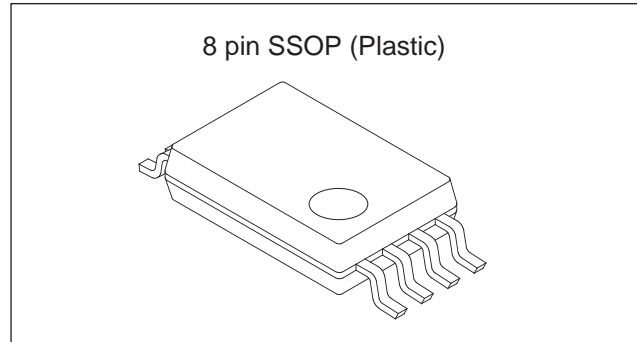
- GSM900 or GSM1800 handsets
- GSM900/GSM1800 dualband handsets

Structure

GaAs J-FET MMIC

Operating Condition

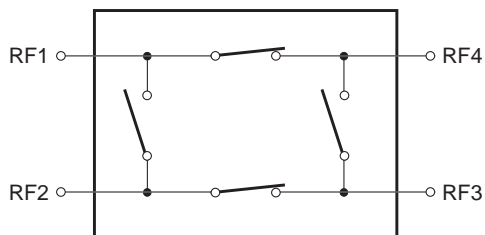
Control voltage: $V_{ctl} (H) - V_{ctl} (L)$: 2.5 to 5V @ $T_a = 25^\circ\text{C}$



* GaAs MMICs are ESD sensitive devices. Special handling precautions are required.

Sony reserves the right to change products and specifications without prior notice. This information does not convey any license by any implication or otherwise under any patents or other right. Application circuits shown, if any, are typical examples illustrating the operation of the devices. Sony cannot assume responsibility for any problems arising out of the use of these circuits.

Block Diagram



VCTLA	VCTLB	
High	Low	RF1 – RF2, RF3 – RF4 ON RF2 – RF3, RF4 – RF1 OFF
Low	High	RF1 – RF2, RF3 – RF4 OFF RF2 – RF3, RF4 – RF1 ON

Electrical Characteristics (1)

(Ta = 25°C)

Item	Symbol	Condition	Min.	Typ.	Max.	Unit
Insertion loss	IL	*3, *4		0.4	0.7	dB
		*1, *2, *5		0.7	1.0	dB
Isolation	ISO	*3, *4	18	21		dB
		*1, *2, *5	15	17		dB
VSWR	VSWR	*1 to *5		1.2	1.4	
2nd harmonics	2fo	*1, *2			-31	dBm
		*3			-31	dBm
3rd harmonics	3fo	*1, *2			-31	dBm
		*3			-31	dBm
Input power for 1dB compression	P1dB	*3	36	38		dBm
		*1, *2	35	37		dBm
Switching time	TSW			100	500	ns
Control current	I CTL	0/5V control		200	350	μA

*1 RF Input terminal is RF2. (RF2 → RF1, RF2 → RF3), Pin = 32dBm, 1710 to 1785MHz, 0/5V control

*2 RF Input terminal is RF4. (RF4 → RF1, RF4 → RF3), Pin = 32dBm, 1710 to 1785MHz, 0/5V control

*3 RF Input terminal is RF4. (RF4 → RF1, RF4 → RF3), Pin = 34.5dBm, 880 to 915MHz, 0/5V control

*4 Pin = 10dBm, 925 to 960MHz, 0/5V control

*5 Pin = 10dBm, 1805 to 1880MHz, 0/5V control

Electrical Characteristics (2)

(Ta = -20 to +70°C)

Item	Symbol	Condition	Min.	Typ.	Max.	Unit
Insertion loss	IL	*3, *4		0.4	1.0	dB
		*1, *2, *5		0.7	1.3	dB
Isolation	ISO	*3, *4	18	21		dB
		*1, *2, *5	15	17		dB
VSWR	VSWR	*1 to *5		1.2	1.4	
2nd harmonics	2fo	*1, *2			-31	dBm
		*3			-31	dBm
3rd harmonics	3fo	*1, *2			-31	dBm
		*3			-31	dBm
Input power for 1dB compression	P1dB	*3	36	38		dBm
		*1, *2	35	37		dBm
Switching time	TSW			100	500	ns
Control current	I CTL	0/5V control		200	400	μA

*1 RF Input terminal is RF2. (RF2 → RF1, RF2 → RF3), Pin = 32dBm, 1710 to 1785MHz, 0/5V control

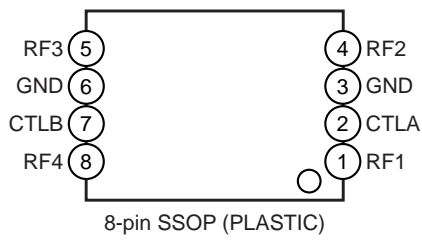
*2 RF Input terminal is RF4. (RF4 → RF1, RF4 → RF3), Pin = 32dBm, 1710 to 1785MHz, 0/5V control

*3 RF Input terminal is RF4. (RF4 → RF1, RF4 → RF3), Pin = 34.5dBm, 880 to 915MHz, 0/5V control

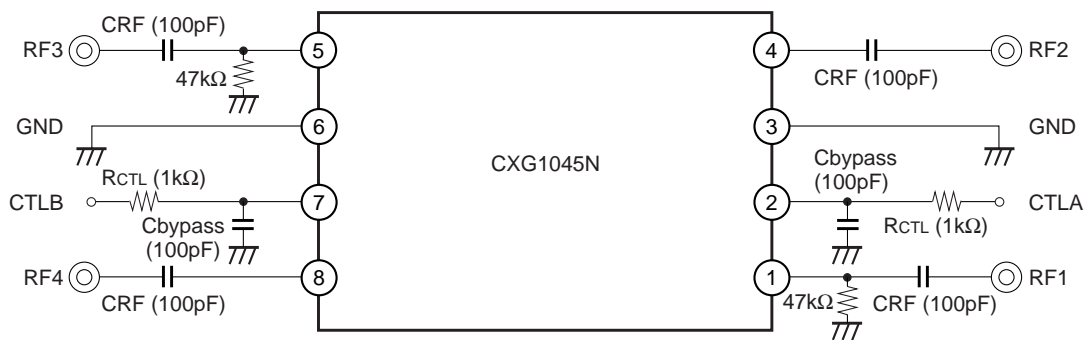
*4 Pin = 10dBm, 925 to 960MHz, 0/5V control

*5 Pin = 10dBm, 1805 to 1880MHz, 0/5V control

Package Outline/Pin Configuration



Recommended Circuit



- * Recommended to use DC blocking capacitors (CRF) and bypass capacitors (Cbypass).
- * Recommended to use control resistors (RCTL), when it is necessary to reduce the current consumption or to improve the electrostatic discharge (ESD) strength.

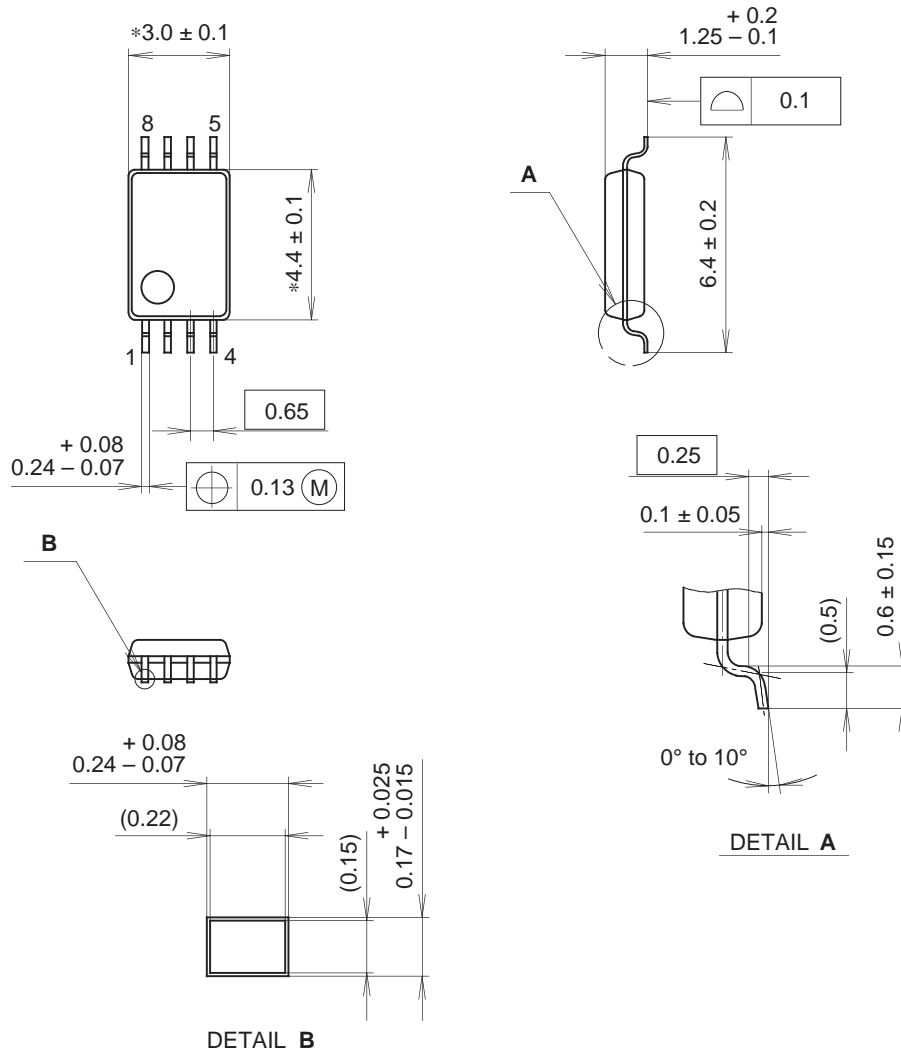
Absolute Maximum Ratings

- Control voltage Vctl 7 V @Ta = 25°C
- Operating temperature Topr -35 to +85 °C
- Storage temperature Tstg -65 to +150 °C

Package Outline

Unit: mm

8PIN SSOP (PLASTIC)



NOTE: Dimension "*" does not include mold protrusion.

PACKAGE STRUCTURE

SONY CODE	SSOP-8P-L01
EIAJ CODE	SSOP008-P-0044
JEDEC CODE	_____

PACKAGE MATERIAL	EPOXY RESIN
LEAD TREATMENT	SOLDER / PALLADIUM PLATING
LEAD MATERIAL	COPPER ALLOY
PACKAGE MASS	0.04g