



W005 THRU W10 SINGLE PHASE SILICON BRIDGE RECTIFIER

TECHNICAL
SPECIFICATION

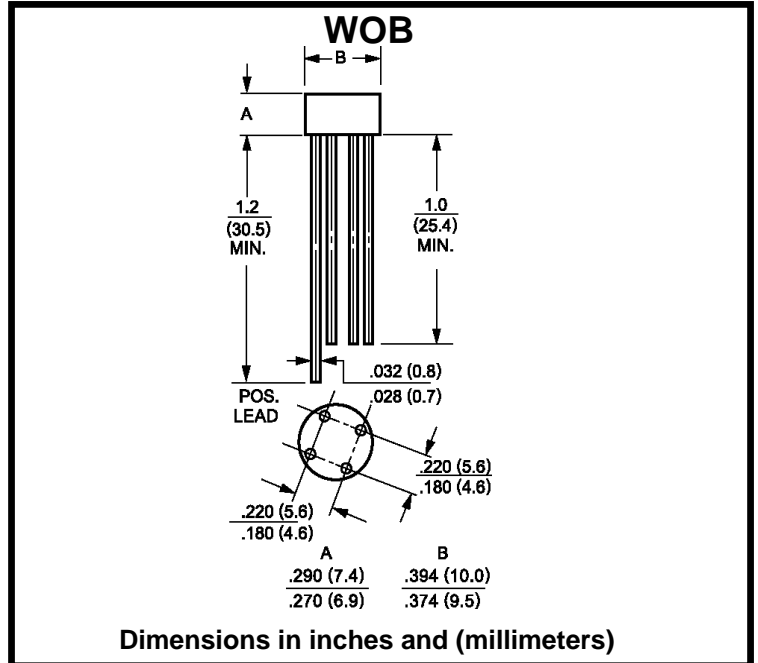
VOLTAGE: 50 TO 1000V CURRENT: 1.5A

FEATURES

- Ideal for printed circuit board
- Surge overload rating: 50 A peak
- High case dielectric strength
- High temperature soldering guaranteed:
250°C/10sec/0.375" (9.5mm) lead length
at 5 lbs tension

MECHANICAL DATA

- Terminal: Plated leads solderable per
MIL-STD 202E, method 208C
- Case: UL-94 Class V-O recognized flame
retardant epoxy
- Polarity: Polarity symbol marked on body
- Mounting position: Any



MAXIMUM RATINGS AND ELECTRICAL CHARACTERISTICS

(Single-phase, half-wave, 60Hz, resistive or inductive load rating at 25°C, unless otherwise stated, for capacitive load, derate current by 20%)

RATINGS	SYMBOL	W005	W01	W02	W04	W06	W08	W10	UNITS
Maximum Repetitive Peak Reverse Voltage	V_{RRM}	50	100	200	400	600	800	1000	V
Maximum RMS Voltage	V_{RMS}	35	70	140	280	420	560	700	V
Maximum DC Blocking Voltage	V_{DC}	50	100	200	400	600	800	1000	V
Maximum Average Forward Rectified Current ($T_a=50^\circ\text{C}$)	$I_{F(AV)}$	1.5							A
Peak Forward Surge Current (8.3ms single half sine-wave superimposed on rated load)	I_{FSM}	50							A
Maximum Instantaneous Forward Voltage (at forward current 1.5A DC)	V_F	1.0							V
Maximum DC Reverse Current ($T_a=25^\circ\text{C}$) (at rated DC blocking voltage) ($T_a=100^\circ\text{C}$)	I_R	10.0 500							μA μA
Operating Temperature Range	T_J	-55 to +125							$^\circ\text{C}$
Storage Temperature	T_{STG}	-55 to +150							$^\circ\text{C}$