



## W005M THRU W10M SINGLE PHASE SILICON BRIDGE RECTIFIER

TECHNICAL  
SPECIFICATION

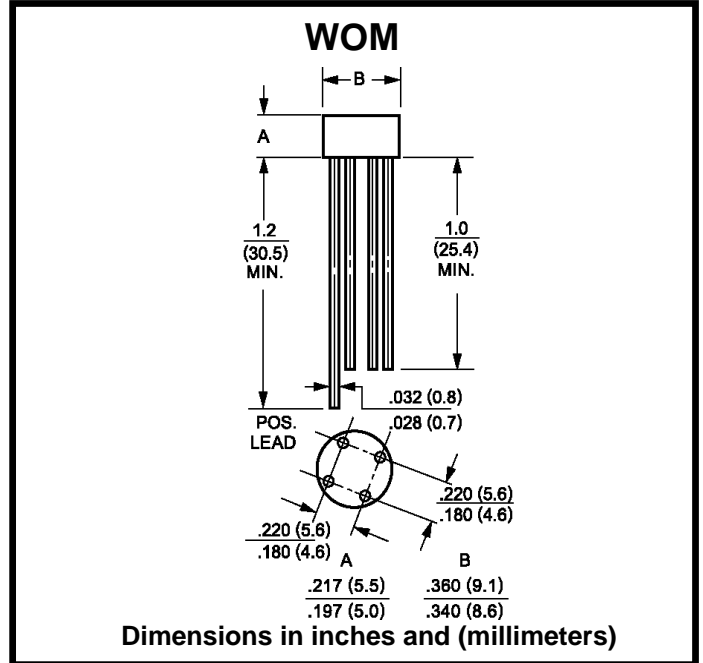
**VOLTAGE: 50 TO 1000V CURRENT: 1.5A**

### FEATURES

- Ideal for printed circuit board
- Surge overload rating: 50 A peak
- High case dielectric strength
- High temperature soldering guaranteed:  
250°C/10sec/0.375"(9.5mm) lead length  
at 5 lbs tension

### MECHANICAL DATA

- Terminal: Plated leads solderable per  
MIL-STD 202E, method 208C
- Case: UL-94 Class V-O recognized flame  
retardant epoxy
- Polarity: Polarity symbol marked on body
- Mounting position: Any



### MAXIMUM RATINGS AND ELECTRICAL CHARACTERISTICS

(Single-phase, half-wave, 60Hz, resistive or inductive load rating at 25°C, unless otherwise stated, for capacitive load, derate current by 20%)

RATINGS	SYMBOL	W005 M	W01 M	W02 M	W04 M	W06 M	W08 M	W10 M	UNITS
Maximum Repetitive Peak Reverse Voltage	$V_{RRM}$	50	100	200	400	600	800	1000	V
Maximum RMS Voltage	$V_{RMS}$	35	70	140	280	420	560	700	V
Maximum DC Blocking Voltage	$V_{DC}$	50	100	200	400	600	800	1000	V
Maximum Average Forward Rectified Current ( $T_a=25^\circ\text{C}$ )	$I_{F(AV)}$	1.5							A
Peak Forward Surge Current (8.3ms single half sine-wave superimposed on rated load)	$I_{FSM}$	50							A
Maximum Instantaneous Forward Voltage (at forward current 1.5A DC)	$V_F$	1.0							V
Maximum DC Reverse Current (at rated DC blocking voltage)	$I_R$	$T_a=25^\circ\text{C}$ : 10.0 $T_a=100^\circ\text{C}$ : 500							$\mu\text{A}$ $\mu\text{A}$
Operating Temperature Range	$T_J$	-55 to +125							$^\circ\text{C}$
Storage Temperature	$T_{STG}$	-55 to +150							$^\circ\text{C}$