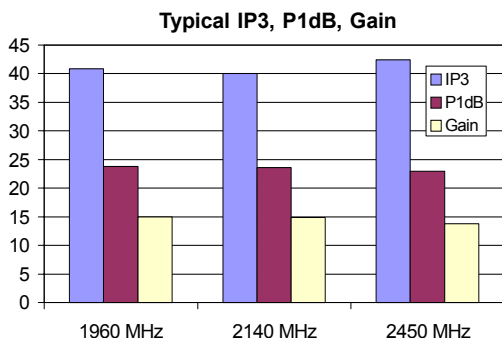


Product Description

Stanford Microdevices' SXT-289 amplifier is a high efficiency GaAs Heterojunction Bipolar Transistor (HBT) MMIC housed in low-cost surface-mountable plastic package. These HBT MMICs are fabricated using molecular beam epitaxial growth technology which produces reliable and consistent performance from wafer to wafer and lot to lot.

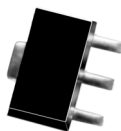
These amplifiers are specially designed for use as driver devices for infrastructure equipment in the 1800-2500 MHz cellular, ISM, WLL and Wideband CDMA applications.

Its high linearity makes it an ideal choice for multi-carrier as well as digital applications.



SXT-289

1800-2500 MHz Power Amplifier



Product Features

- Patented High Reliability GaAs HBT Technology
- High Output 3rd Order Intercept : +42 dBm typ. at 2450 MHz
- Surface-Mountable Power Plastic Package

Applications

- PCS Systems
- WLL, Wideband CDMA Systems
- ISM Systems

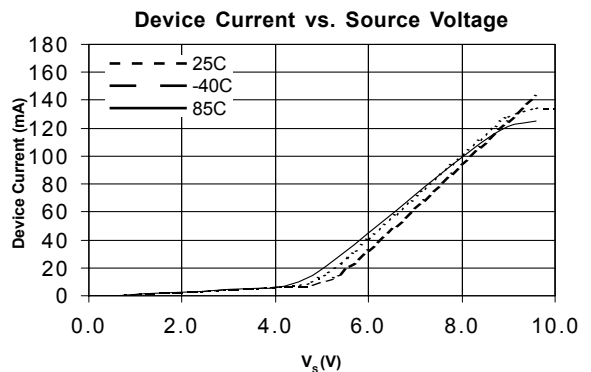
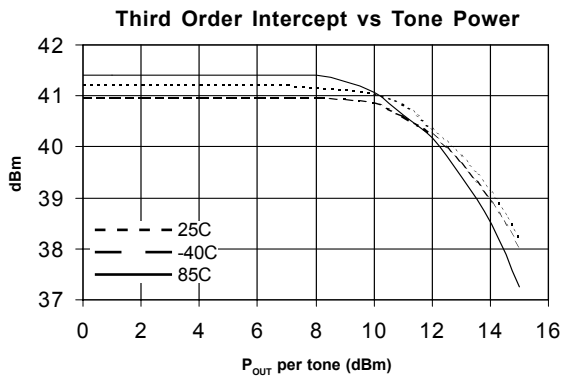
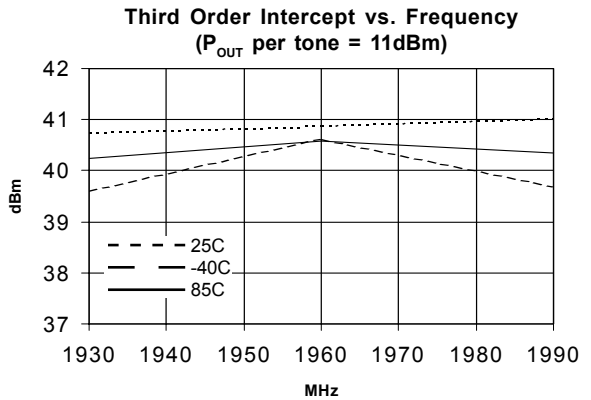
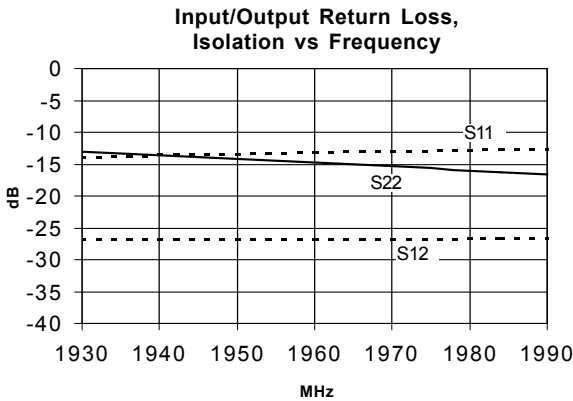
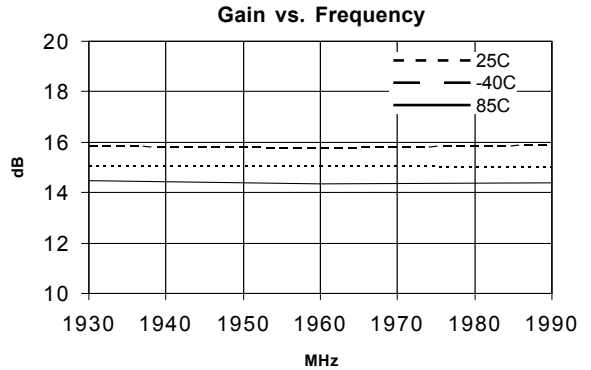
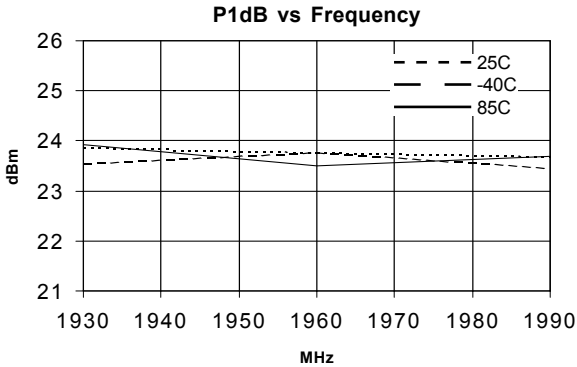
Symbol	Parameters: Test Conditions: $Z_0 = 50 \text{ Ohms}$, $T_a = 25\text{C}$		Units	Min.	Typ.	Max.
P_{1dB}	Output Power at 1dB Compression	f = 1960 MHz f = 2140 MHz f = 2450 MHz	dBm dBm dBm		23.5 23.5 23.0	
S_{21}	Small signal gain	f = 1960 MHz f = 2140 MHz f = 2450 MHz	dB dB dB	13.5	15.0 15.0 13.8	16.6
S_{11}	Input VSWR	f = 1960 MHz f = 2140 MHz f = 2450 MHz	-		1.4:1 1.6:1 1.6:1	
IP_3	Output Third Order Intercept Point ($P_{out}/\text{Tone} = +11 \text{ dBm}$, Tone spacing = 1 MHz)	f = 1960 MHz f = 2140 MHz f = 2450 MHz	dBm dBm dBm	37.5	41.0 40.0 42.0	
NF	Noise Figure	f = 1960 MHz f = 2140 MHz f = 2450 MHz	dB dB dB		4.4 4.5 5.4	
I_d	Device Current	$V_s = 8\text{V}$ $R_{bias} = 27 \text{ ohms}$ $V_{device} = 5 \text{ V typ.}$	mA	85	105	120
$R_{\theta j-l}$	Thermal Resistance (junction - lead)		$^{\circ}\text{C/W}$		108	

The information provided herein is believed to be reliable at press time. Stanford Microdevices assumes no responsibility for inaccuracies or omissions. Stanford Microdevices assumes no responsibility for the use of this information, and all such information shall be entirely at the user's own risk. Prices and specifications are subject to change without notice. No patent rights or licenses to any of the circuits described herein are implied or granted to any third party. Stanford Microdevices does not authorize or warrant any Stanford Microdevices product for use in life-support devices and/or systems. Copyright 2000 Stanford Microdevices, Inc. All worldwide rights reserved.

SXT-289 1800-2500 MHz Power Amplifier

1960 MHz Application Circuit Data, $I_{cc}=110\text{mA}$, $T=+25\text{C}$, $R_{bias}=27\ \text{ohm}$, $V_s=8\text{V}$

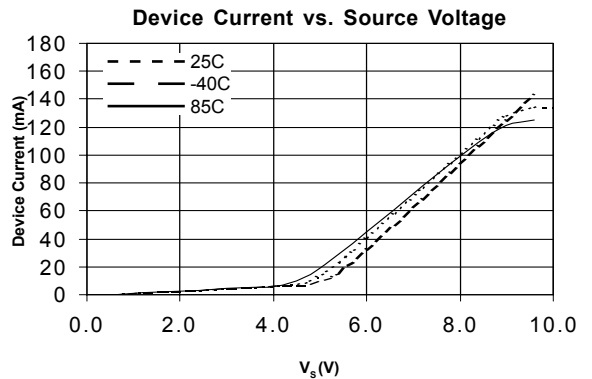
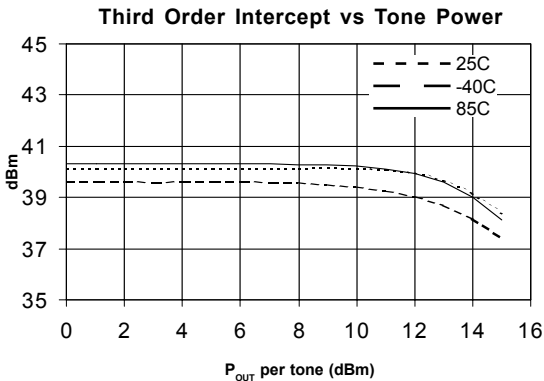
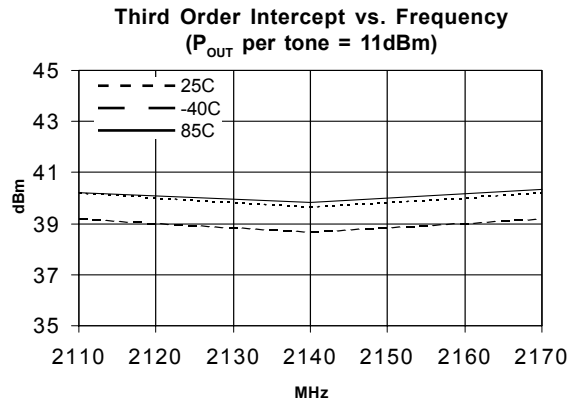
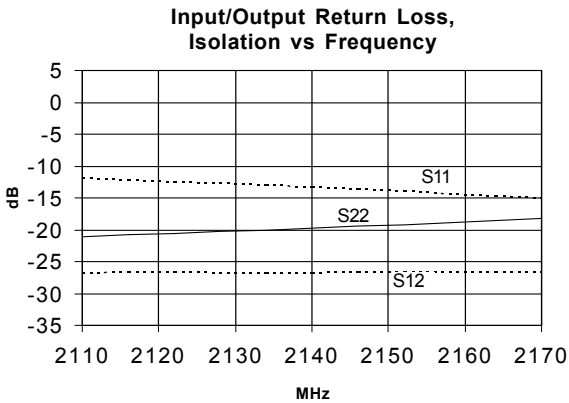
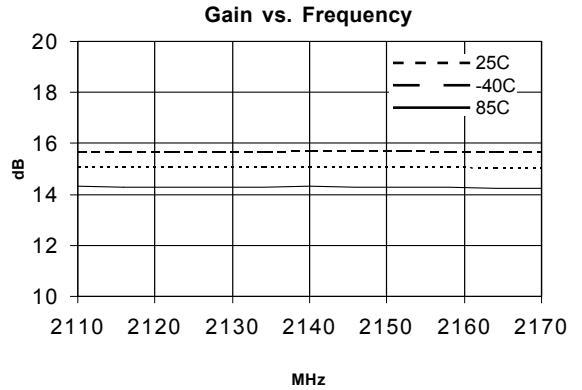
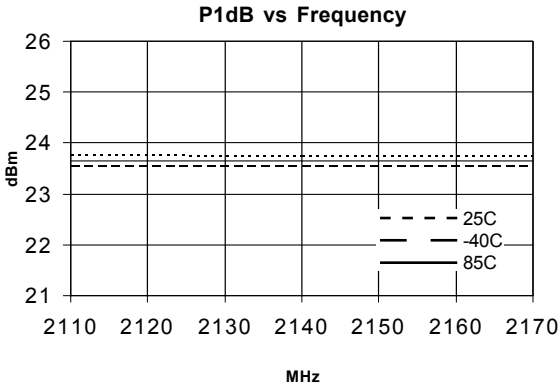
Note: Tuned for Output IP3



SXT-289 1800-2500 MHz Power Amplifier

2140 MHz Application Circuit Data, $I_{cc}=110\text{mA}$, $T=+25\text{C}$, $R_{bias}=27\ \text{ohm}$, $V_s=8\text{V}$

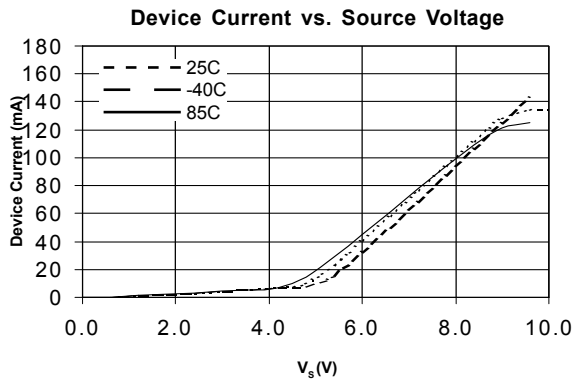
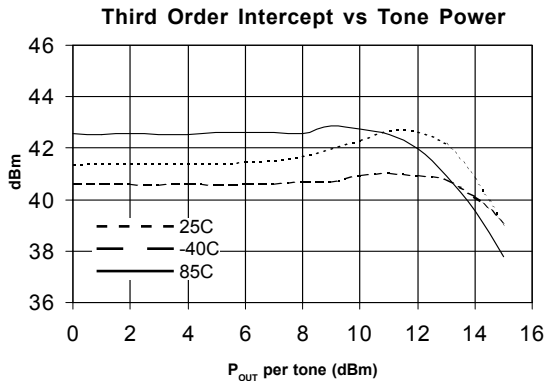
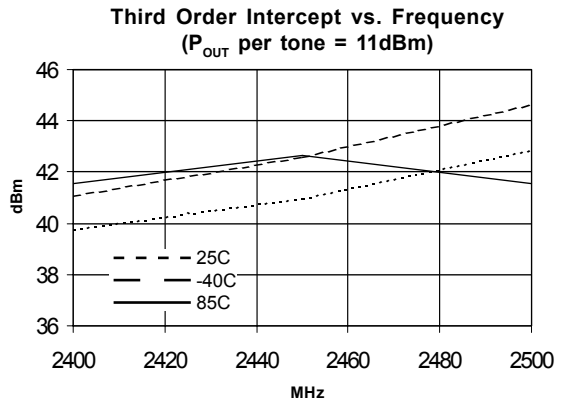
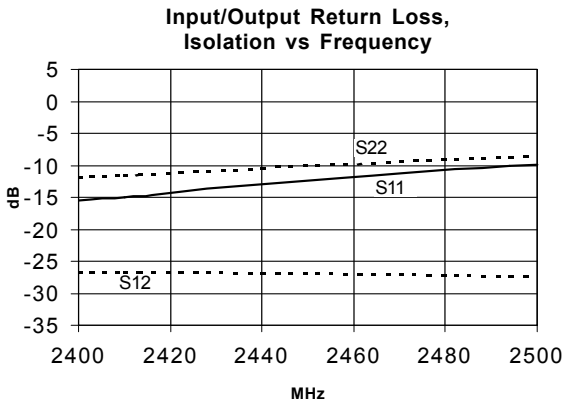
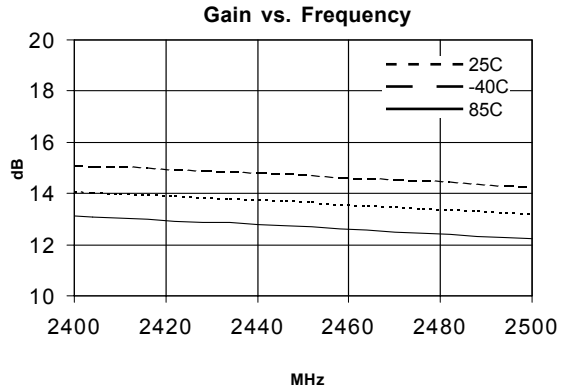
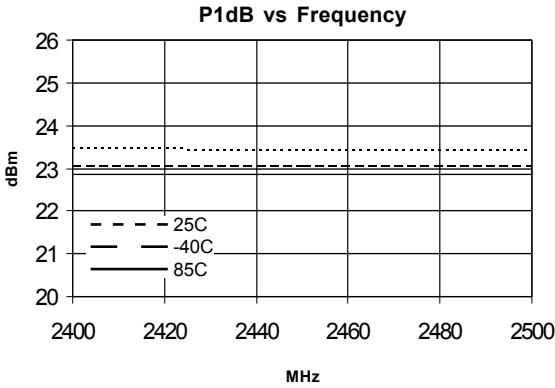
Note: Tuned for Output IP3



SXT-289 1800-2500 MHz Power Amplifier

2450 MHz Application Circuit Data, $I_{cc}=110\text{mA}$, $T=+25\text{C}$, $R_{bias}=27\ \text{ohm}$, $V_s=8\text{V}$

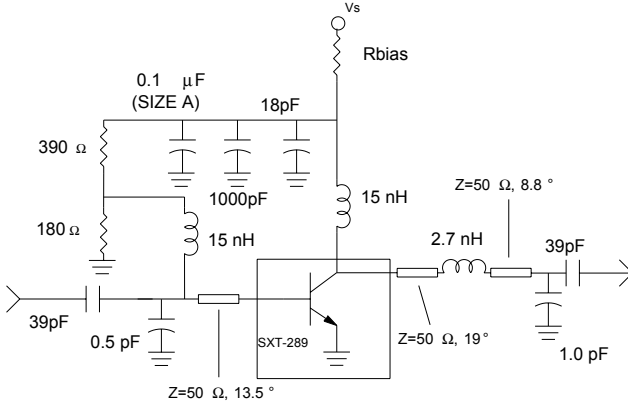
Note: Tuned for Output IP3



1960 MHz Application Circuit

Note: Circuit tuned for Output IP3

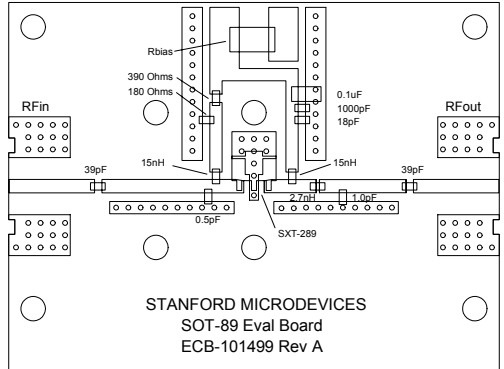
Voltage Feed Resistor Bias Circuit (for $\geq 7V$ supply)



1960 MHz Schematic

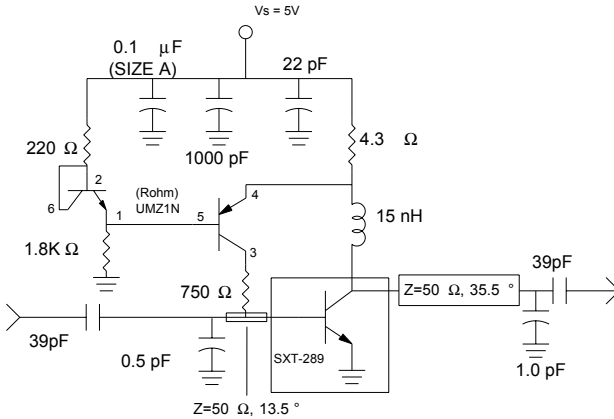
SXT-289 1800-2500 MHz Power Amplifier

Recommended Bias Resistor Values				
Supply Voltage(Vs)	7V	8V	10V	12V
Rbias (Ohms)	18	27	47	62
Power Rating	0.5W	1.0W	1.5W	2.0W



1960 MHz Evaluation Board Layout

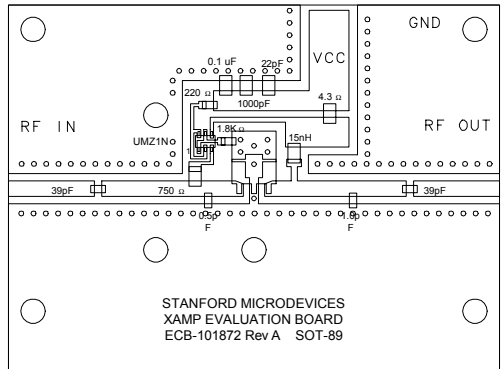
Active Current Feedback Bias Circuit (for 5V supply)



1960 MHz Schematic

Frequency	1960 MHz
Small Signal Gain (dB)	15.3
Output IP3 (dBm)	39.7*
P1dB (dBm)	23.8

*Note: IP3 performance degraded due to lower (4.5V) device voltage.



1960 MHz Evaluation Board Layout

NOTE: Reference Application Note AN-026 for more information on Active Current Feedback Bias Circuit.

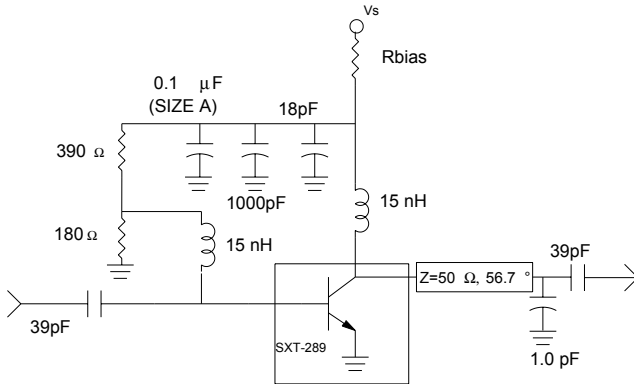
ALL COMPONENTS 0603 UNLESS NOTED OTHERWISE

2140 MHz Application Circuit

Note: Circuit tuned for Output IP3

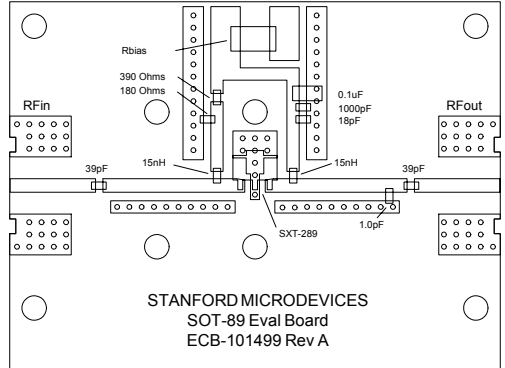
SXT-289 1800-2500 MHz Power Amplifier

Voltage Feed Resistor Bias Circuit (for $\geq 7V$ supply)



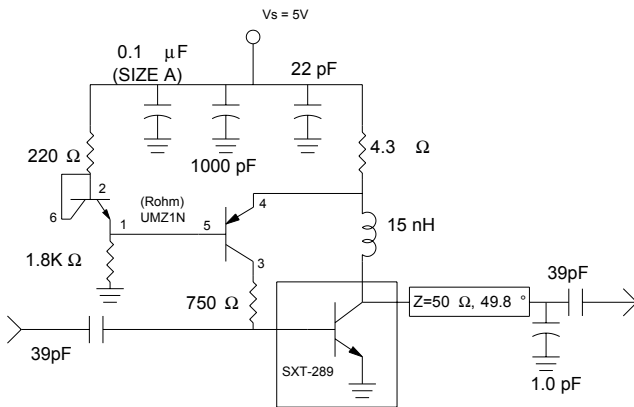
2140 MHz Schematic

Recommended Bias Resistor Values				
Supply Voltage(Vs)	7V	8V	10V	12V
Rbias (Ohms)	18	27	47	62
Power Rating	0.5W	1.0W	1.5W	2.0W



2140 MHz Evaluation Board Layout

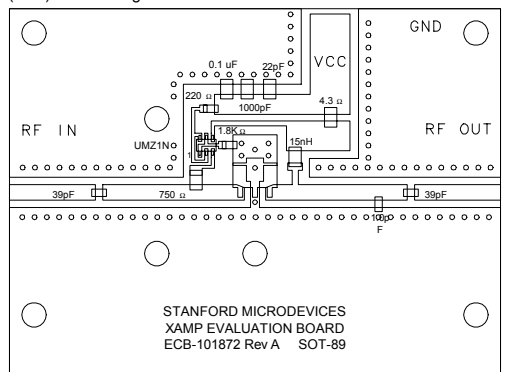
Active Current Feedback Bias Circuit (for 5V supply)



2140 MHz Schematic

Frequency	2140 MHz
Small Signal Gain (dB)	15.0
Output IP3 (dBm)	39.2*
P1dB (dBm)	23.0

*Note: IP3 performance degraded due to lower (4.5V) device voltage.



2140 MHz Evaluation Board Layout

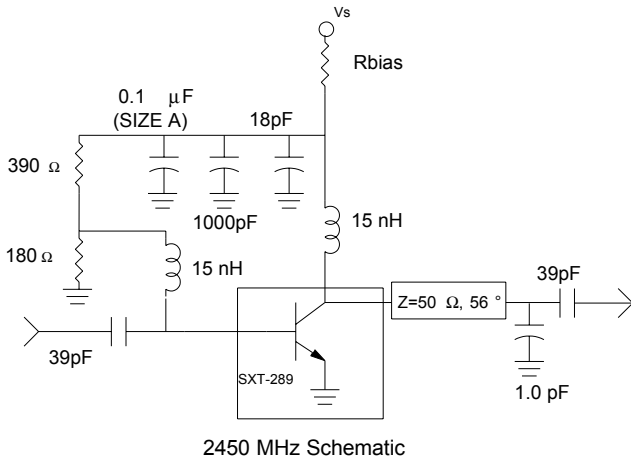
NOTE: Reference Application Note AN-026 for more information on Active Current Feedback Bias Circuit.

ALL COMPONENTS 0603 UNLESS NOTED OTHERWISE

2450 MHz Application Circuit

Note: Circuit tuned for Output IP3

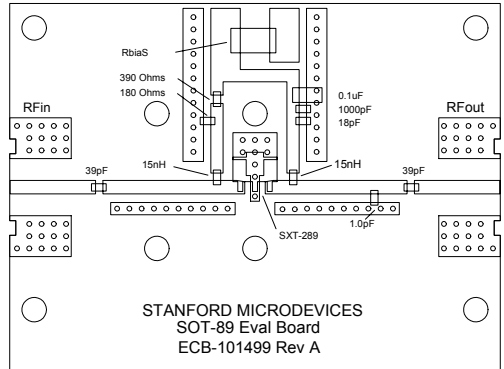
Voltage Feed Resistor Bias Circuit (for $\geq 7V$ supply)



2450 MHz Schematic

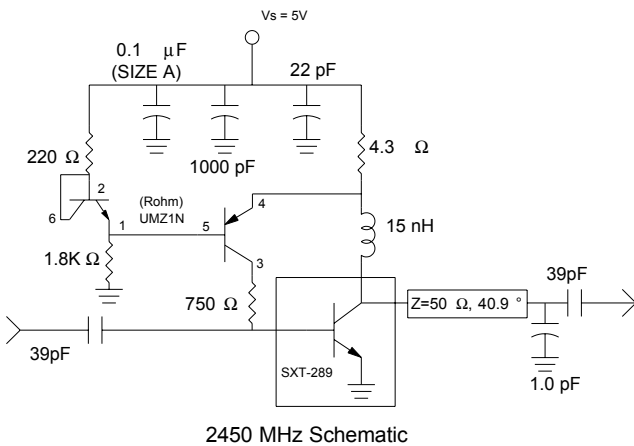
SXT-289 1800-2500 MHz Power Amplifier

Recommended Bias Resistor Values				
Supply Voltage (Vs)	7V	8V	10V	12V
Rbias (Ohms)	18	27	47	62
Power Rating	0.5W	1.0W	1.5W	2.0W



2450 MHz Evaluation Board Layout

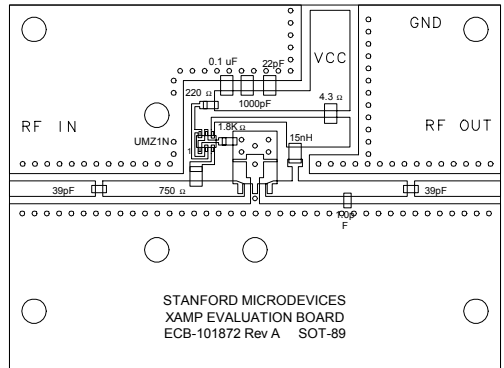
Active Current Feedback Bias Circuit (for 5V supply)



2450 MHz Schematic

Frequency	2450 MHz
Small Signal Gain (dB)	14.6
Output IP3 (dBm)	39.7*
P1dB (dBm)	23.7

*Note: IP3 performance degraded due to lower (4.5V) device voltage.



2450 MHz Evaluation Board Layout

NOTE: Reference Application Note AN-026 for more information on Active Current Feedback Bias Circuit.

ALL COMPONENTS 0603 UNLESS NOTED OTHERWISE

Absolute Maximum Ratings

Parameter	Absolute Maximum
Device Voltage	6V
Device Current	200mA
Power Dissipation	1500mW
RF Input Power	100mW
Junction Temperature	+150C
Operating Temperature	-40C to +85C
Storage Temperature	-65C to +150C



Caution: ESD sensitive

Appropriate precautions in handling, packaging and testing devices must be observed.

SXT-289 1800-2500 MHz Power Amplifier

Part Number Ordering Information

Part Number	Devices Per Reel	Reel Size
SXT-289	1000	7"

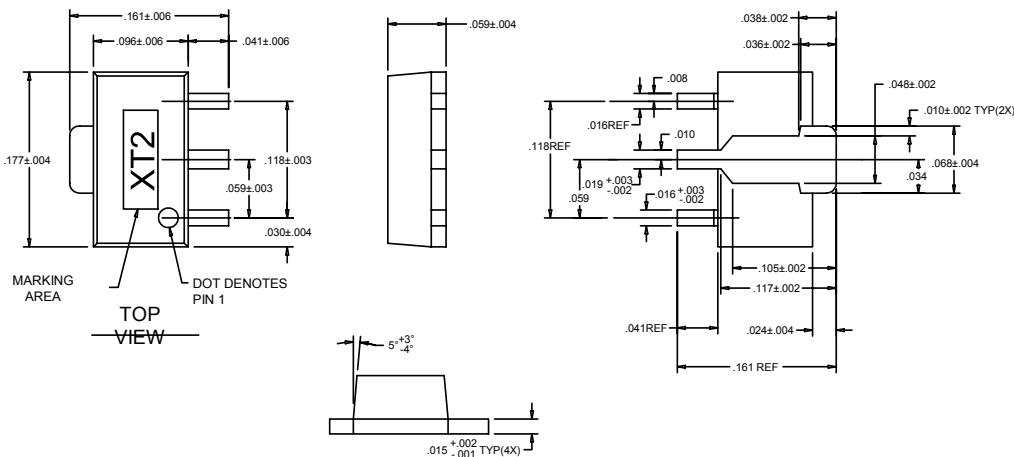
Part Symbolization

The part will be symbolized with a "XA2" designator on the top surface of the package.

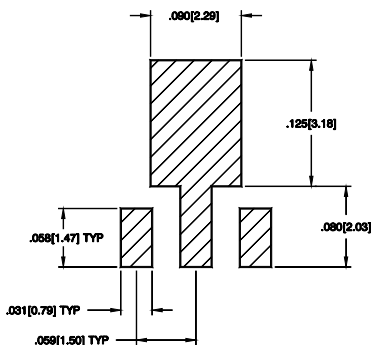
Pin Description

Pin #	Function	Description
1	Base	Base Pin
2	GND & Emitter	Connection to ground. Use via holes to reduce lead inductance. Place via as close to ground leads as possible.
3	Collector	Collector Pin
4	GND & Emitter	Same as Pin 2

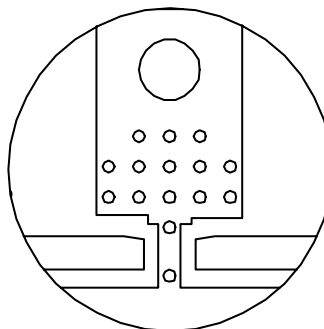
Package Dimensions



PCB Pad Layout



Recommended via and mounting hole pattern (For RF Ground and Thermal considerations)



DIMENSIONS ARE IN INCHES [MM]

Use multiple plated-through vias holes located close to the package pins to ensure a good RF ground connection to a continuous groundplane on the backside of the board.