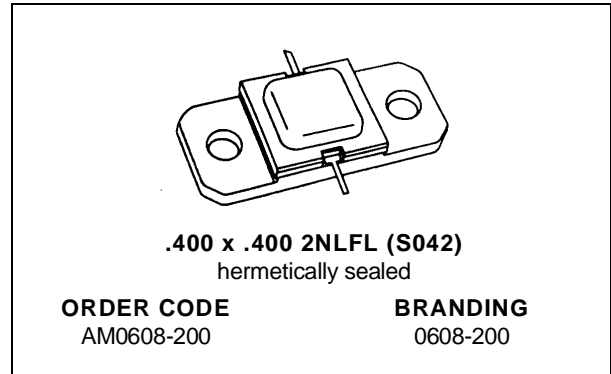


RF & MICROWAVE TRANSISTORS AVIONICS APPLICATIONS

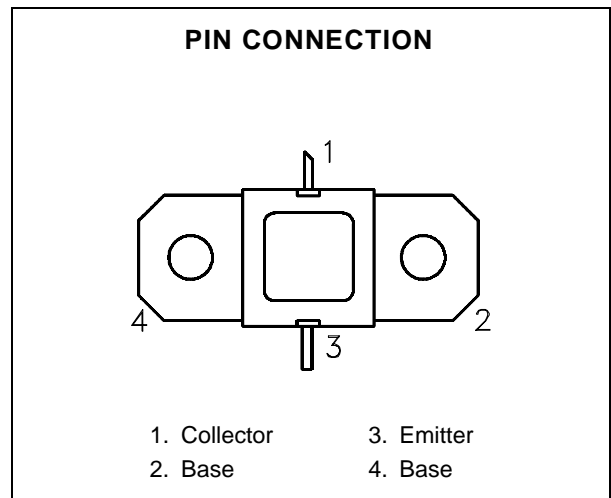
PRELIMINARY DATA

- REFRACTORY/GOLD METALLIZATION
- INTERNAL INPUT MATCHING
- METAL/CERAMIC HERMETIC PACKAGE
- P_{OUT} = 220 W MIN. WITH 8.7 dB GAIN



DESCRIPTION

The AM0608-200 is an internally-matched, common base silicon bipolar device optimized pulsed application in the 600 - 750 MHz frequency range. Housed in the industry-standard AMPAC™ metal/ceramic package, this device uses a refractory/gold overlay die geometry for ruggedness and long-term reliability.



ABSOLUTE MAXIMUM RATINGS (T_{case} = 25°C)

Symbol	Parameter	Value	Unit
P _{DISS}	Power Dissipation* (T _C ≤ 75°C)	875	W
I _C	Device Current*	16.0	A
V _{CC}	Collector-Supply Voltage*	55	V
T _J	Junction Temperature (Pulsed RF Operation)	250	°C
T _{STG}	Storage Temperature	- 65 to +200	°C

THERMAL DATA

R _{TH(j-c)}	Junction-Case Thermal Resistance*	0.20	°C/W
----------------------	-----------------------------------	------	------

*Applies only to rated RF amplifier operation

AM0608-200

ELECTRICAL SPECIFICATIONS (T_{case} = 25°C)

STATIC

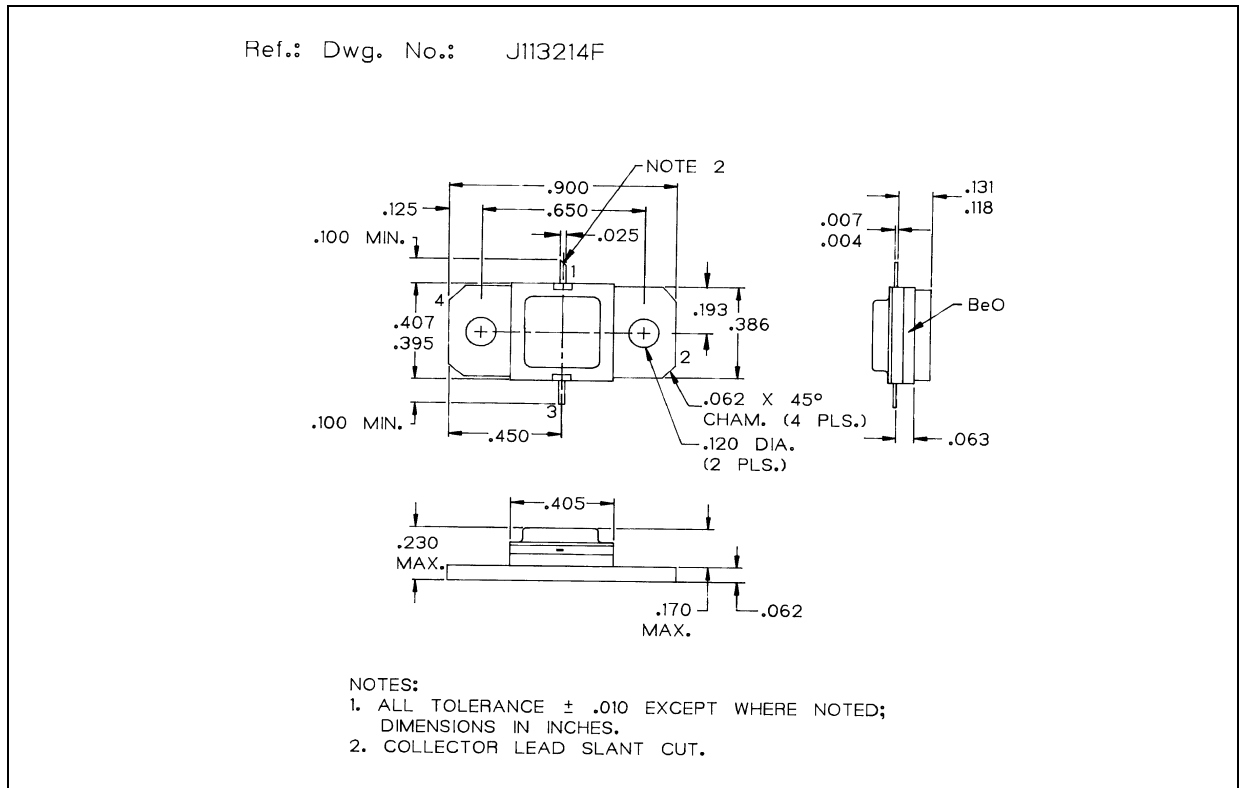
Symbol	Test Conditions		Value			Unit
			Min.	Typ.	Max.	
BV _{CBO}	I _C = 10mA	I _E = 0mA	65	—	—	V
BV _{EBO}	I _E = 1mA	I _C = 0mA	3.5	—	—	V
BV _{CER}	I _C = 25mA	R _{BE} = 10Ω	65	—	—	V
I _{CES}	V _{BE} = 0V	V _{CE} = 50V	—	—	25	mA
h _{FE}	V _{CE} = 5V	I _C = 1mA	15	—	120	—

DYNAMIC

Symbol	Test Conditions			Value			Unit
				Min.	Typ.	Max.	
P _{OUT}	f = 600 — 750MHz	P _{IN} = 30W	V _{CC} = 50V	220	—	—	W
η _c	f = 600 — 750MHz	P _{IN} = 30W	V _{CC} = 50V	40	—	—	%
G _P	f = 600 — 750MHz	P _{IN} = 30W	V _{CC} = 50V	8.7	—	—	dB

Note: Pulse Width = 10μSec
Duty Cycle = 1%

PACKAGE MECHANICAL DATA



Information furnished is believed to be accurate and reliable. However, SGS-THOMSON Microelectronics assumes no responsibility for the consequences of use of such information nor for any infringement of patents or other rights of third parties which may result from its use. No license is granted by implication or otherwise under any patent or patent rights of SGS-THOMSON Microelectronics. Specifications mentioned in this publication are subject to change without notice. This publication supersedes and replaces all information previously supplied. SGS-THOMSON Microelectronics products are not authorized for use as critical components in life support devices or systems without express written approval of SGS-THOMSON Microelectronics.

© 1994 SGS-THOMSON Microelectronics - All Rights Reserved

SGS-THOMSON Microelectronics GROUP OF COMPANIES

Australia - Brazil - France - Germany - Hong Kong - Italy - Japan - Korea - Malaysia - Malta - Morocco - The Netherlands -
Singapore - Spain - Sweden - Switzerland - Taiwan - Thailand - United Kingdom - U.S.A