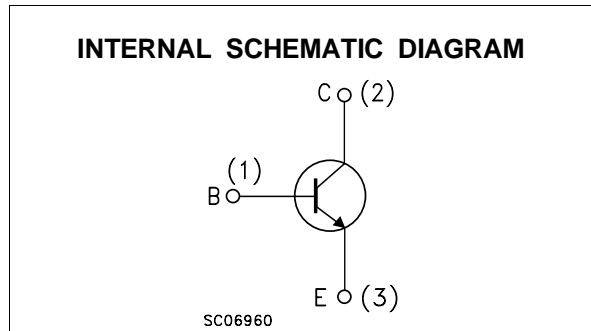
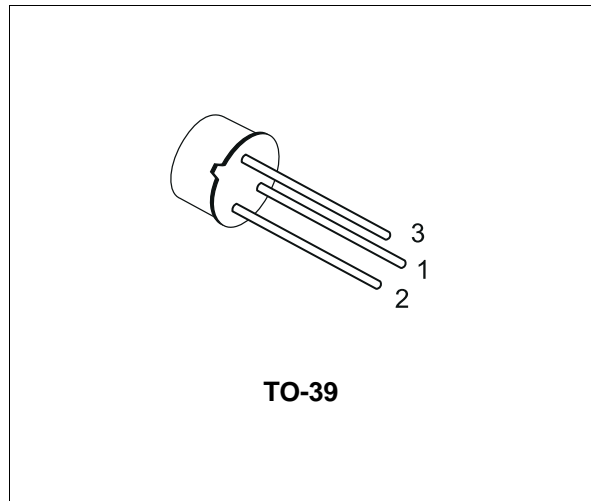


HIGH CURRENT, HIGH FREQUENCY AMPLIFIERS

DESCRIPTION

The 2N3019 is a silicon planar epitaxial NPN transistors in Jedec TO-39 metal case, designed for high-current, high frequency amplifier application. It feature high gain and low saturation voltage.



ABSOLUTE MAXIMUM RATINGS

Symbol	Parameter	Value	Unit
V_{CBO}	Collector-Base Voltage ($I_E = 0$)	140	V
V_{CEO}	Collector-Emitter Voltage ($I_B = 0$)	80	V
V_{EBO}	Emitter-Base Voltage ($I_C = 0$)	7	V
I_C	Collector Current	1	A
P_{tot}	Total Dissipation at $T_{amb} \leq 25\text{ }^\circ\text{C}$ at $T_{case} \leq 25\text{ }^\circ\text{C}$	0.8	W
		5	W
T_{stg}	Storage Temperature	-65 to 200	$^\circ\text{C}$
T_j	Max. Operating Junction Temperature	200	$^\circ\text{C}$

THERMAL DATA

$R_{thj-case}$	Thermal Resistance Junction-Case	Max	35	$^{\circ}C/W$
$R_{thj-amb}$	Thermal Resistance Junction-Ambient	Max	219	$^{\circ}C/W$

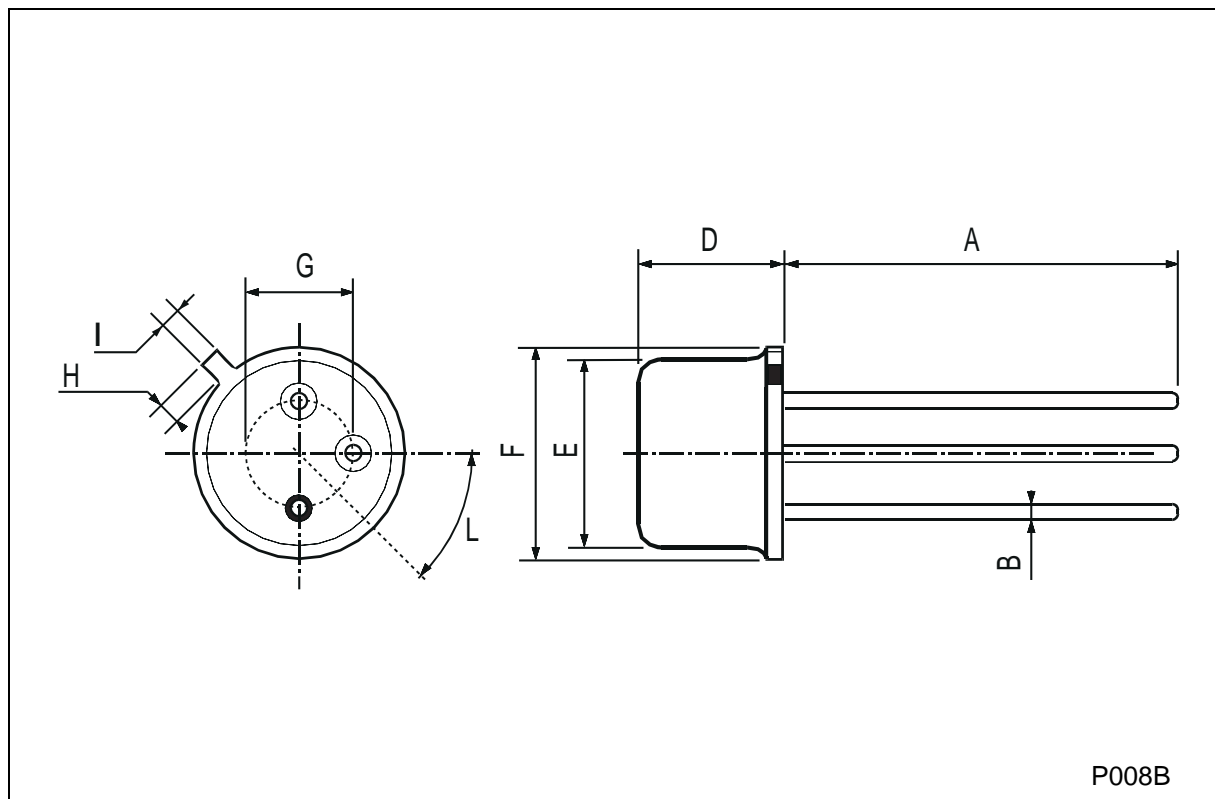
ELECTRICAL CHARACTERISTICS ($T_{case} = 25^{\circ}C$ unless otherwise specified)

Symbol	Parameter	Test Conditions	Min.	Typ.	Max.	Unit
I_{CBO}	Collector Cut-off Current ($I_E = 0$)	$V_{CB} = 90 V$ $V_{CB} = 90 V$ $T_{case} = 150^{\circ}C$			10 10	nA μA
I_{EBO}	Emitter Cut-off Current ($I_C = 0$)	$V_{EB} = 5 V$			10	nA
$V_{(BR)CBO}$	Collector-Base Breakdown Voltage ($I_E = 0$)	$I_C = 100 \mu A$	140			V
$V_{(BR)CEO}^*$	Collector-Emitter Breakdown Voltage ($I_B = 0$)	$I_C = 10 mA$	80			V
$V_{(BR)EBO}$	Emitter-Base Breakdown Voltage ($I_C = 0$)	$I_E = 100 \mu A$	7			V
$V_{CE(sat)}^*$	Collector-Emitter Saturation Voltage	$I_C = 150 mA$ $I_B = 15 mA$ $I_C = 500 mA$ $I_B = 50 mA$			0.2 0.5	V V
$V_{BE(sat)}^*$	Base-Emitter Saturation Voltage	$I_C = 150 mA$ $I_B = 15 mA$			1.1	V
h_{FE}^*	DC Current Gain	$I_C = 0.1 mA$ $V_{CE} = 10 V$ $I_C = 10 mA$ $V_{CE} = 10 V$ $I_C = 150 mA$ $V_{CE} = 10 V$ $I_C = 500 mA$ $V_{CE} = 10 V$ $I_C = 1 A$ $V_{CE} = 10 V$ $I_C = 150 mA$ $V_{CE} = 10 V$ $T_{amb} = -55^{\circ}C$	50 90 100 50 15 40		300	
h_{fe}^*	Small Signal Current Gain	$I_C = 1 mA$ $V_{CE} = 5 V$ $f = 1 KHz$	80		400	
f_T	Transition Frequency	$I_C = 50 mA$ $V_{CE} = 10 V$ $f = 20 MHz$	100			MHz
C_{CBO}	Collector Base Capacitance	$I_E = 0$ $V_{CB} = 10 V$ $f = 1 MHz$			12	pF
C_{EBO}	Emitter Base Capacitance	$I_C = 0$ $V_{EB} = 0.5 V$ $f = 1 MHz$			60	pF
NF	Noise Figure	$I_C = 0.1 mA$ $V_{CE} = 10 V$ $f = 1 KHz$ $R_g = 1 K\Omega$			4	dB
r_{bb} $C_{b'c}$	Feedback Time Constant	$I_C = 10 mA$ $V_{CE} = 10 V$ $f = 4 MHz$			400	ps

* Pulsed: Pulse duration = 300 μs , duty cycle $\leq 1\%$

TO-39 MECHANICAL DATA

DIM.	mm			inch		
	MIN.	TYP.	MAX.	MIN.	TYP.	MAX.
A	12.7			0.500		
B			0.49			0.019
D			6.6			0.260
E			8.5			0.334
F			9.4			0.370
G	5.08			0.200		
H			1.2			0.047
I			0.9			0.035
L	45° (typ.)					



Information furnished is believed to be accurate and reliable. However, SGS-THOMSON Microelectronics assumes no responsibility for the consequences of use of such information nor for any infringement of patents or other rights of third parties which may results from its use. No license is granted by implication or otherwise under any patent or patent rights of SGS-THOMSON Microelectronics. Specifications mentioned in this publication are subject to change without notice. This publication supersedes and replaces all information previously supplied. SGS-THOMSON Microelectronics products are not authorized for use as critical components in life support devices or systems without express written approval of SGS-THOMSON Microelectronics.

© 1997 SGS-THOMSON Microelectronics - Printed in Italy - All Rights Reserved

SGS-THOMSON Microelectronics GROUP OF COMPANIES

Australia - Brazil - Canada - China - France - Germany - Italy - Japan - Korea - Malaysia - Malta - Morocco - The Netherlands -
Singapore - Spain - Sweden - Switzerland - Taiwan - Thailand - United Kingdom - U.S.A

...