

**SNUBBERLESS TRIAC**

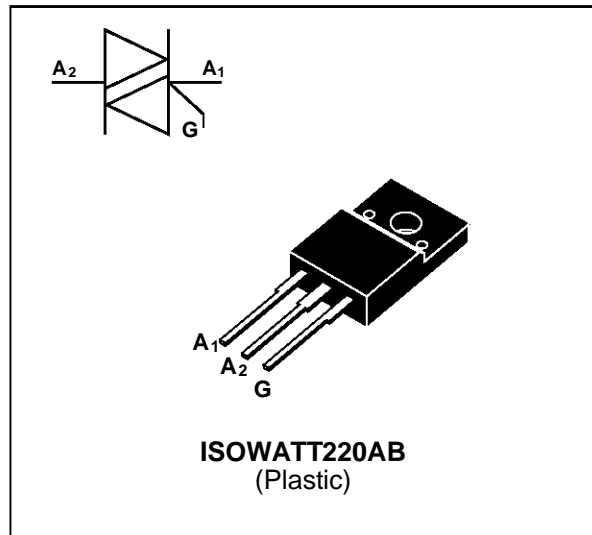
**FEATURES**

- $I_{T(RMS)} = 10\text{ A}$
- $V_{DRM} = V_{RRM} = 400\text{V to } 800\text{V}$
- EXCELLENT SWITCHING PERFORMANCES
- INSULATING VOLTAGE =  $1500V_{(RMS)}$
- U.L. RECOGNIZED : E81734

**DESCRIPTION**

The T1020/1030W triacs use high performance glass passivated chip technology, housed in a fully molded plastic ISOWATT220AB package.

The SNUBBERLESS™ concept offers suppression of R-C network, and is suitable for applications such as phase control and static switch on inductive and resistive loads.



**ABSOLUTE RATINGS** (limiting values)

Symbol	Parameter		Value	Unit
$I_{T(RMS)}$	RMS on-state current (360° conduction angle)	$T_c = 90^\circ\text{C}$	10	A
$I_{TSM}$	Non repetitive surge peak on-state current ( $T_j$ initial = $25^\circ\text{C}$ )	$t_p = 16.7\text{ ms}$ (1 cycle, 60 Hz)	110	A
		$t_p = 10\text{ ms}$ (1/2 cycle, 50 Hz)	125	
$I^2t$	$I^2t$ Value (half-cycle, 50 Hz)	$t_p = 10\text{ ms}$	78	$\text{A}^2\text{s}$
$di/dt$	Critical rate of rise of on-state current Gate supply : $I_G = 500\text{ mA}$ $di_G/dt = 1\text{ A}/\mu\text{s}$ .	Repetitive $F = 50\text{ Hz}$	20	$\text{A}/\mu\text{s}$
		Non Repetitive	100	
$T_{stg}$ $T_j$	Storage temperature range Operating junction temperature range		- 40 to + 150 - 40 to + 125	$^\circ\text{C}$
TI	Maximum lead temperature for soldering during 10s at 4.5 mm from case		260	$^\circ\text{C}$

Symbol	Parameter	T1020 / 1030-xxxW				Unit
		400	600	700	800	
$V_{DRM}$ $V_{RRM}$	Repetitive peak off-state voltage $T_j = 125^\circ\text{C}$	400	600	700	800	V

## T1020W / 1030W

### THERMAL RESISTANCES

Symbol	Parameter	Value	Unit
Rth(j-a)	Junction to ambient	50	°C/W
Rth(j-c)	Junction to case for A.C (360° conduction angle)	3.0	°C/W

### GATE CHARACTERISTICS (maximum values)

$P_{G(AV)} = 1\text{ W}$   $P_{GM} = 10\text{ W}$  ( $t_p = 20\ \mu\text{s}$ )  $I_{GM} = 4\text{ A}$  ( $t_p = 20\ \mu\text{s}$ )

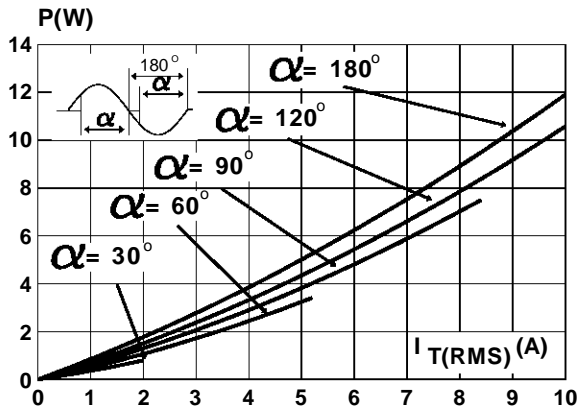
### ELECTRICAL CHARACTERISTICS

Symbol	Test Conditions	Quadrant		T1020	T1030	Unit	
$I_{GT}$	$V_D = 12\text{V (DC)}$ $R_L = 33\Omega$	$T_j = 25^\circ\text{C}$	I-II-III	MAX	20	30	mA
$V_{GT}$	$V_D = 12\text{V (DC)}$ $R_L = 33\Omega$	$T_j = 25^\circ\text{C}$	I-II-III	MAX	1.5		V
$V_{GD}$	$V_D = V_{DRM}$ $R_L = 3.3\text{k}\Omega$	$T_j = 125^\circ\text{C}$	I-II-III	MIN	0.2		V
tgt	$V_D = V_{DRM}$ $I_G = 500\text{mA}$ $di_G/dt = 3\text{A}/\mu\text{s}$	$T_j = 25^\circ\text{C}$	I-II-III	TYP	2		$\mu\text{s}$
$I_H^*$	$I_T = 100\text{mA}$ Gate open	$T_j = 25^\circ\text{C}$		MAX	35	50	
$V_{TM}^*$	$I_{TM} = 14\text{A}$ $t_p = 380\mu\text{s}$	$T_j = 25^\circ\text{C}$		MAX	1.5		V
$I_{DRM}$ $I_{RRM}$	$V_{DRM}$ rated $V_{RRM}$ rated	$T_j = 25^\circ\text{C}$		MAX	10		$\mu\text{A}$
		$T_j = 125^\circ\text{C}$		MAX	2		mA
dV/dt *	Linear slope up to $V_D = 67\%V_{DRM}$ Gate open	$T_j = 125^\circ\text{C}$		MIN	200	300	V/ $\mu\text{s}$
(dV/dt)c *	(di/dt)c = 5.3 A/ms (see note)	$T_j = 125^\circ\text{C}$		MIN	10	20	V/ $\mu\text{s}$

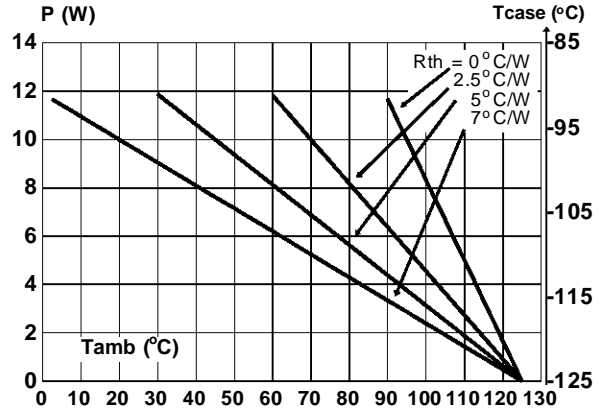
\* For either polarity of electrode A2 voltage with reference to electrode A1.

**Note :** In usual applications where (di/dt)c is below 5.3 A/ms, the (dV/dt)c is always lower than 10V/ $\mu\text{s}$ , and, therefore, it is **unnecessary** to use a snuber R-C network across T1020W / T1030W triacs.

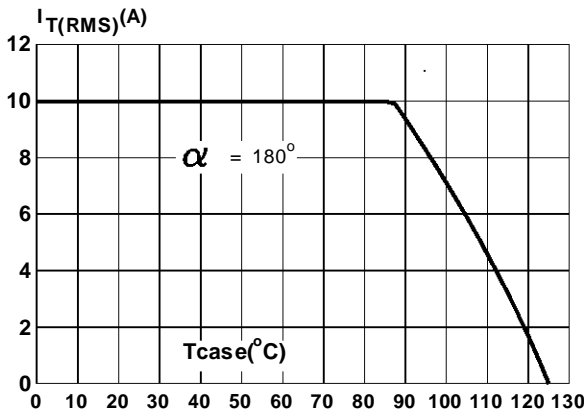
**Fig.1** : Maximum power dissipation versus RMS on-state current.



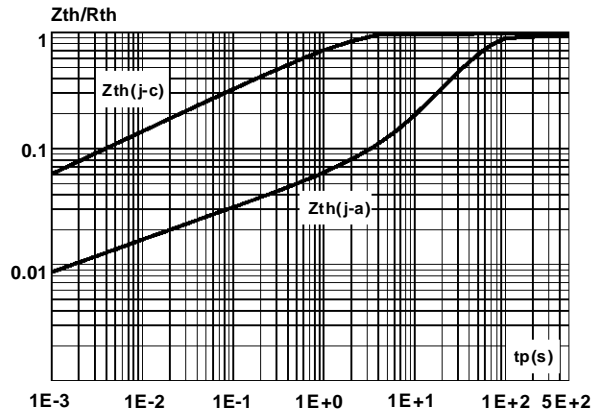
**Fig.2** : Correlation between maximum power dissipation and maximum allowable temperature (Tamb and Tcase) for different thermal resistances heatsink + contact.



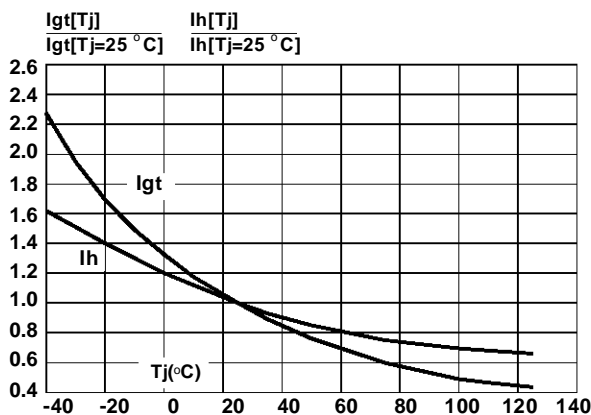
**Fig.3** : RMS on-state current versus case temperature.



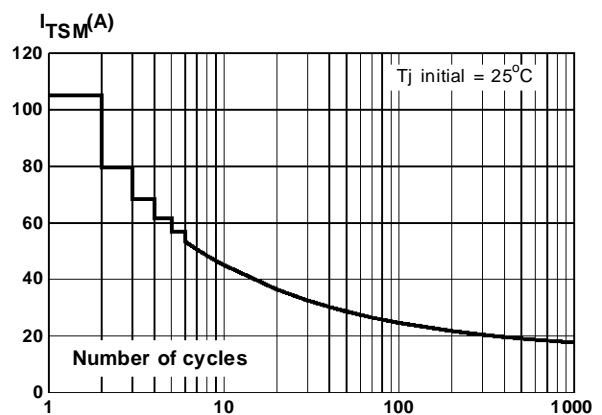
**Fig.4** : Thermal transient impedance junction to case and junction to ambient versus pulse duration.



**Fig.5** : Relative variation of gate trigger current and holding current versus junction temperature.

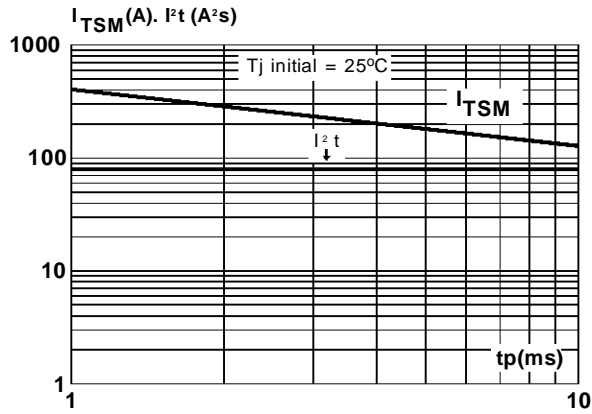


**Fig.6** : Non repetitive surge peak on-state current versus number of cycles.

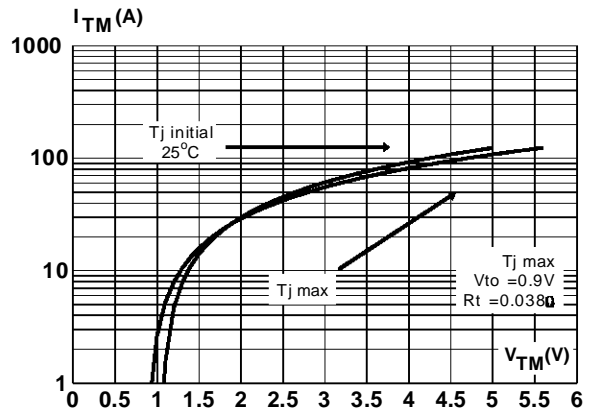


**T1020W / 1030W**

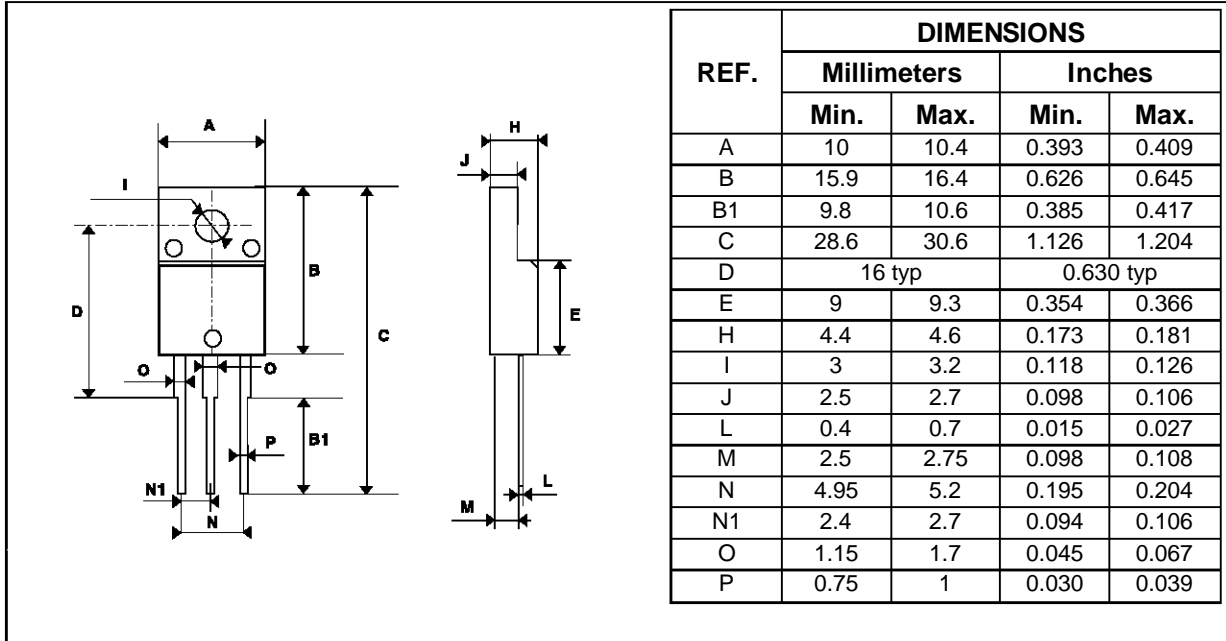
**Fig.7 :** Non repetitive surge peak on-state current for a sinusoidal pulse with width :  $t_p \leq 10\text{ms}$ , and corresponding value of  $I^2t$ .



**Fig.8 :** On-state characteristics (maximum values).



**PACKAGE MECHANICAL DATA**  
ISOWATT220AB



Cooling method : C  
 Marking : Type number  
 Weight : 2.1g  
 Recommended torque value : 0.55 m.N.  
 Maximum torque value : 0.70 m.N.

Information furnished is believed to be accurate and reliable. However, SGS-THOMSON Microelectronics assumes no responsibility for the consequences of use of such information nor for any infringement of patents or other rights of third parties which may result from its use. No license is granted by implication or otherwise under any patent or patent rights of SGS-THOMSON Microelectronics. Specifications mentioned in this publication are subject to change without notice. This publication supersedes and replaces all information previously supplied. SGS-THOMSON Microelectronics products are not authorized for use as critical components in life support devices or systems without express written approval of SGS-THOMSON Microelectronics.

© 1996 SGS-THOMSON Microelectronics - Printed in Italy - All rights reserved.

SGS-THOMSON Microelectronics GROUP OF COMPANIES  
 Australia - Brazil - Canada - China - France - Germany - Hong Kong - Italy - Japan - Korea - Malaysia - Malta - Morocco -  
 The Netherlands - Singapore - Spain - Sweden - Switzerland - Taiwan - Thailand - United Kingdom - U.S.A.