

SERIAL INTERFACE CODEC/FILTER WITH RECEIVE POWER AMPLIFIER

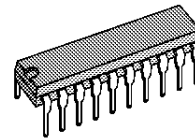
- COMPLETE CODEC AND FILTERING SYSTEM INCLUDING :
 - Transmit high-pass and low-pass filtering.
 - Receive low-pass filter with sin x/x correction.
 - Active RC noise filter.
 - μ -law or A-law compatible CODER and DECODER.
 - Internal precision voltage reference.
 - Serial I/O interface.
 - Internal auto-zero circuitry.
 - Receive push-pull power amplifiers.
- μ -LAW ETC5064
- A-LAW ETC5067
- MEETS OR EXCEEDS ALL D3/D4 AND CCITT SPECIFICATIONS.
- ± 5 V OPERATION.
- LOW OPERATING POWER-TYPICALLY 70 mW
- POWER-DOWN STANDBY MODE-TYPICALLY 3 mW
- AUTOMATIC POWER DOWN
- TTL OR CMOS COMPATIBLE DIGITAL INTERFACES
- MAXIMIZES LINE INTERFACE CARD CIRCUIT DENSITY
- 0°C TO 70°C OPERATION: ETC5064/67
- -40°C TO 85°C OPERATION: ETC5064-X/67-X

DESCRIPTION

The ETC5064 (μ -law), ETC5067 (A-law) are monolithic PCM CODEC/FILTERS utilizing the A/D and D/A conversion architecture shown in the Block Diagrams and a serial PCM interface. The devices are fabricated using double-poly CMOS process.

Similar to the ETC505X family, these devices feature an additional Receive Power Amplifier to provide push-pull balanced output drive capability. The receive gain can be adjusted by means of two external resistors for an output level of up to ± 6.6 V across a balanced 600 Ω load.

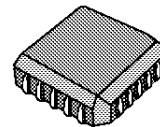
Also included is an Analog Loopback switch and \overline{TS}_x output.



DIP20
(Plastic) N

ORDERING NUMBERS:

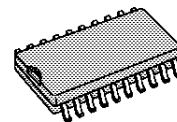
ETC5064N
ETC5064N-X
ETC5067N
ETC5067N-X



PLCC20
FN

ORDERING NUMBERS:

ETC5064FN
ETC5064FN-X
ETC5067FN
ETC5067FN-X



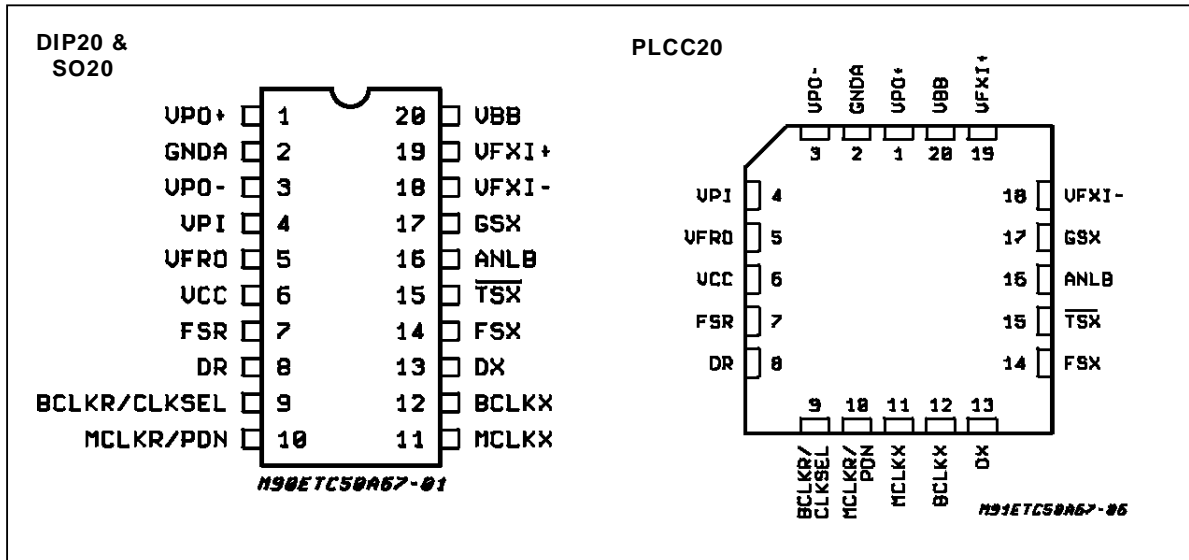
SO20
D

ORDERING NUMBERS:

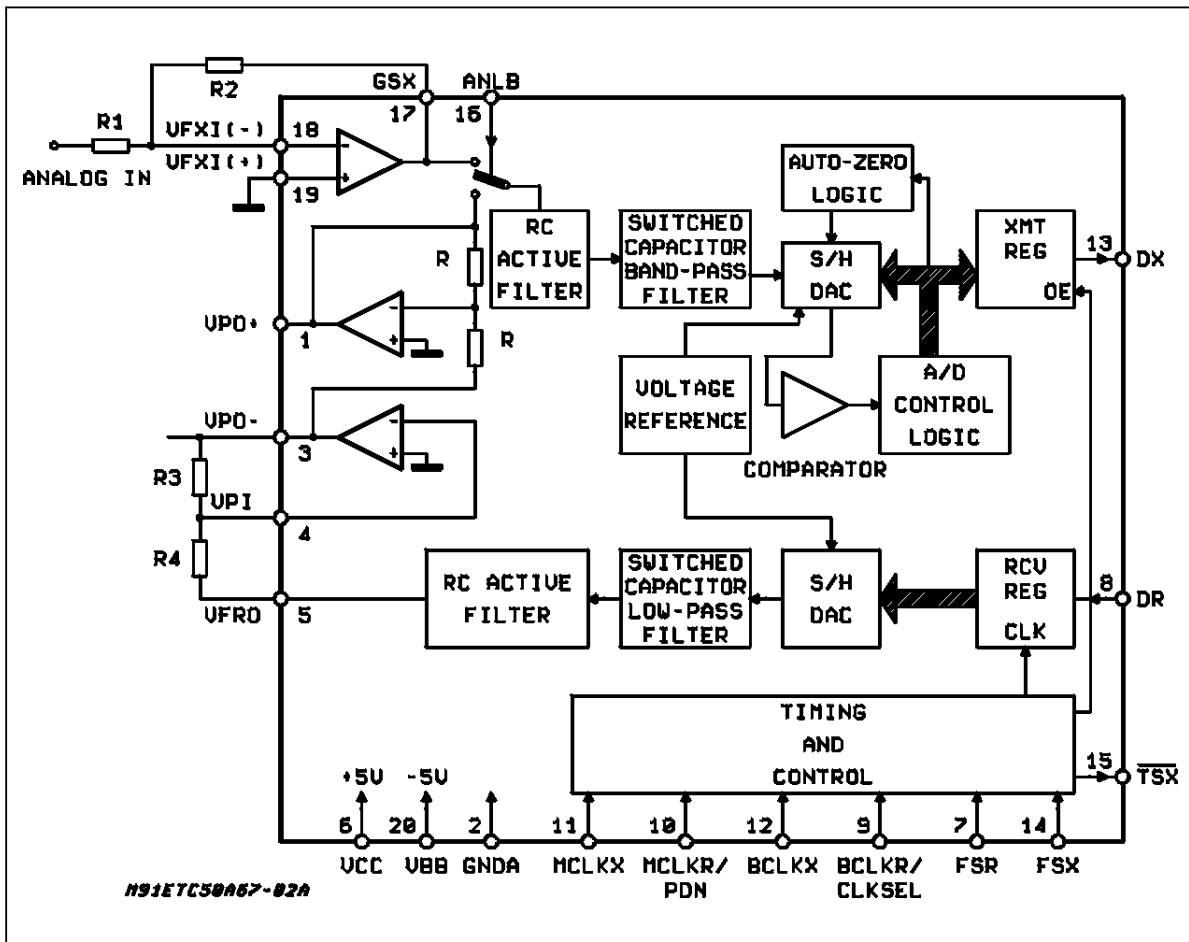
ETC5064D
ETC5064D-X
ETC5067D
ETC5067D-X

ETC5064 - ETC5064-X - ETC5067 - ETC5067-X

PIN CONNECTIONS (Top views)



BLOCK DIAGRAM (ETC5064 - ETC5064-X - ETC5067 - ETC5067-X)



PIN DESCRIPTION

| Name | Pin Type (*) | N | Description |
|------------------------------|--------------|----|---|
| VPO ⁺ | O | 1 | The Non-inverting Output of the Receive Power Amplifier |
| GND _A | GND | 2 | Analog Ground. All signals are referenced to this pin. |
| VPO ⁻ | O | 3 | The Inverting Output of the Receive Power Amplifier |
| VPI | I | 4 | Inverting Input to the Receive Power Amplifier. Also powers down both amplifiers when connected to V _{BB} . |
| VF _R O | O | 5 | Analog Output of the Receive Filter. |
| V _{CC} | S | 6 | Positive Power Supply Pin. V _{CC} = +5V ±5% |
| FS _R | I | 7 | Receive Frame Sync Pulse which enable BCLK _R to shift PCM data into D _R . FS _R is an 8KHz pulse train. See figures 1 and 2 for timing details. |
| D _R | I | 8 | Receive Data Input. PCM data is shifted into D _R following the FS _R leading edge |
| BCLK _R /CLKSEL | I | 9 | The bit Clock which shifts data into D _R after the FS _R leading edge. May vary from 64KHz to 2.048MHz. Alternatively, may be a logic input which selects either 1.536MHz/1.544MHz or 2.048MHz for master clock in synchronous mode and BCLK _X is used for both transmit and receive directions (see table 1). This input has an internal pull-up. |
| MCLK _R /PDN | I | 10 | Receive Master Clock. Must be 1.536MHz, 1.544MHz or 2.048MHz. May be asynchronous with MCLK _X , but should be synchronous with MCLK _X for best performance. When MCLK _R is connected continuously low, MCLK _X is selected for all internal timing. When MCLK _R is connected continuously high, the device is powered down. |
| MCLK _X | I | 11 | Transmit Master Clock. Must be 1.536MHz, 1.544MHz or 2.048MHz. May be asynchronous with MCLK _R . |
| BCLK _X | I | 12 | The bit clock which shifts out the PCM data on D _X . May vary from 64KHz to 2.048MHz, but must be synchronous with MCLK _X . |
| D _X | O | 13 | The TRI-STATE [®] PCM data output which is enabled by FS _X . |
| FS _X | I | 14 | Transmit frame sync pulse input which enables BCLK _X to shift out the PCM data on D _X . FS _X is an 8KHz pulse train. See figures 1 and 2 for timing details. |
| $\overline{\text{TS}}_X$ | O | 15 | Open drain output which pulses low during the encoder time slot. Must to be grounded if not used. |
| ANLB | I | 16 | Analog Loopback Control Input. Must be set to logic '0' for normal operation. When pulled to logic '1', the transmit filter input is disconnected from the output of the transmit preamplifier and connected to the VPO ⁺ output of the receive power amplifier. |
| GS _X | O | 17 | Analog output of the transmit input amplifier. Used to set gain externally. |
| VF _X ⁻ | I | 18 | Inverting input of the transmit input amplifier. |
| VF _X ⁺ | I | 19 | Non-inverting input of the transmit input amplifier. |
| V _{BB} | S | 20 | Negative Power Supply Pin. V _{BB} = -5V ±5% |

(*) I: Input, O: Output, S: Power Supply.

TRI-STATE[®] is a trademark of National Semiconductor Corp.

FUNCTIONAL DESCRIPTION

POWER-UP

When power is first applied, power-on reset circuitry initializes the device and places it into the power-down mode. All non-essential circuits are deactivated and the D_X and V_{FRO} outputs are put in high impedance states. To power-up the device, a logical low level or clock must be applied to the MCLK_R/PDN pin and FS_X and/or FS_R pulses must be present. Thus 2 power-down control modes are available. The first is to pull the MCLK_R/PDN pin high; the alternative is to hold both FS_X and FS_R inputs continuously low. The device will power-down approximately 2 ms after the last FS_X pulse. The TRI-STATE PCM data output, D_X, will remain in the high impedance state until the second FS_X pulse.

SYNCHRONOUS OPERATION

For synchronous operation, the same master clock and bit clock should be used for both the transmit and receive directions. In this mode, a clock must be applied to MCLK_X and the MCLK_R/PDN pin can be used as a power-down control. A low level on MCLK_R/PDN powers up the device and a high level powers down the device. In either case, MCLK_X will be selected as the master clock for both the transmit and receive circuits. A bit clock must also be applied to BCLK_X and the BCLK_R/CLKSEL can be used to select the proper internal divider for a master clock of 1.536 MHz, 1.544 MHz or 2.048 MHz. For 1.544 MHz operation, the device automatically compensates for the 193rd clock pulse each frame.

With a fixed level on the BCLK_R/CLKSEL pin, BCLK_X will be selected as the bit clock for both the transmit and receive directions. Table 1 indicates the frequencies of operation which can be selected, depending on the state of BCLK_R/CLKSEL. In this synchronous mode, the bit clock, BCLK_X, may be from 64 kHz to 2.048 MHz, but must be synchronous with MCLK_X.

Table 1: Selection of Master Clock Frequencies.

| BCLKR/CLKSEL | Master Clock Frequency Selected | |
|---------------------|---------------------------------|-------------------------|
| | ETC5067 ETC5067-X | ETC5064 ETC5064-X |
| Clocked | 2.048MHz | 1.536MHz or 1.544MHz |
| 0 | 1.536MHz or 1.544MHz | 2.048MHz |
| 1 (or open circuit) | 2.048MHz | 1.536MHz or 1.544MHz |

Each FS_X pulse begins the encoding cycle and the PCM data from the previous encode cycle is shift out of the enabled D_X output on the positive edge of BCLK_X. After 8 bit clock periods, the TRISTATE D_X output is returned to a high impedance state. With an FS_R pulse, PCM data is latched via the D_R input on the negative edge of BCLK_X (or on BCLK_R if running). FS_X and FS_R must be synchronous with MCLK_{X/R}.

ASYNCHRONOUS OPERATION

For asynchronous operation, separate transmit and receive clocks may be applied. MCLK_X and MCLK_R must be 2.048 MHz for the ETC5067 or 1.536 MHz, 1.544 MHz for the ETC5064, and need not be synchronous. For best transmission performance, however, MCLK_R should be synchronous with MCLK_X, which is easily achieved by applying only static logic levels to the MCLK_R/PDN pin. This will automatically connect MCLK_X to all internal MCLK_R functions (see pin description). For 1.544 MHz operation, the device automatically compensates for the 193rd clock pulse each frame. FS_X starts each encoding cycle and must be synchronous with MCLK_X and BCLK_X. FS_R starts each decoding cycle and must be synchronous with BCLK_R. BCLK_R must be a clock, the logic levels shown in Table 1 are not valid in asynchronous mode. BCLK_X and BCLK_R may operate from 64kHz to 2.048 MHz.

SHORT FRAME SYNC OPERATION

The device can utilize either a short frame sync pulse or a long frame sync pulse. Upon power initialization, the device assumes a short frame mode. In this mode, both frame sync pulses. FS_X and FS_R, must be one bit clock period long, with timing relationships specified in figure 2. With FS_X high during a falling edge of BCLK_R, the next rising edge of BCLK_X enables the D_X TRI-STATE output buffer, which will output the sign bit. The following seven rising edges clock out the remaining seven bits, and the next falling edge disables the D_X output. With FS_R high during a falling edge of BCLK_R (BCLK_X in synchronous mode), the next falling edge of BCLK_R latches in the sign bit. The following seven falling edges latch in the seven remaining bits. Both devices may utilize the short frame sync pulse in synchronous or asynchronous operating mode.

LONG FRAME SYNC OPERATION

To use the long frame mode, both the frame sync pulses, FS_X and FS_R, must be three or more bit clock periods long, with timing relationships specified in figure 3. Based on the transmit frame sync FS_X, the device will sense whether short or long frame sync

pulses are being used. For 64 kHz operation, the frame sync pulses must be kept low for a minimum of 160 ns (see Fig 1). The D_X TRI-STATE output buffer is enabled with the rising edge of FS_X or the rising edge of $BCLK_X$, whichever comes later, and the first bit clocked out is the sign bit. The following seven $BCLK_X$ rising edges clock out the remaining seven bits. The D_X output is disabled by the falling $BCLK_X$ edge following the eighth rising edge, or by FS_X going low, whichever comes later. A rising edge on the receive frame sync pulse, FS_R , will cause the PCM data at D_R to be latched in on the next eight falling edges of $BCLK_R$ ($BCLK_X$ in synchronous mode). Both devices may utilize the long frame sync pulse in synchronous or asynchronous mode.

TRANSMIT SECTION

The transmit section input is an operational amplifier with provision for gain adjustment using two external resistors, see figure 4. The low noise and wide bandwidth allow gains in excess of 20 dB across the audio passband to be realized. The op amp drives a unity gain filter consisting of RC active pre-filter, followed by an eighth order switched-capacitor bandpass filter directly drives the encoder sample-and-hold circuit. The A/D is of companding type according to A-law (ETC5067 and ETC5067-X) or μ -law (ETC5064 and ETC5064-X) coding conventions. A precision voltage reference is trimmed in manufacturing to provide an input over load (t_{MAX}) of nominally 2.5V peak (see table of Transmission Characteristics). The FS_X frame sync pulse controls the sampling of the filter output, and then the successive-approximation encoding cycle begins. The 8-bit code is then loaded into a buffer and shifted out through D_X at the next FS_X pulse. the total encoding delay will be approximately 165 μ s (due to the transmit filter) plus 125 μ s (due to encoding delay), which totals 290 μ s. Any offset voltage due to the filters or comparator is cancelled by sign bit integration.

ABSOLUTE MAXIMUM RATINGS

| Symbol | Parameter | Value | Unit |
|-------------------|---|--------------------------------|--------------|
| V_{CC} | V_{CC} to GNDA | 7 | V |
| V_{BB} | V_{BB} to GNDA | -7 | V |
| V_{IN}, V_{OUT} | Voltage at any Analog Input or Output | $V_{CC} +0.3$ to $V_{BB} -0.3$ | V |
| | Voltage at any Digital Input or Output | $V_{CC} +0.3$ to GNDA -0.3 | V |
| T_{oper} | Operating Temperature Range: ETC5064/67 ETC5064-X/67-X | -25 to +125 -40 to +125 | $^{\circ}$ C |
| T_{stg} | Storage Temperature Range | -65 to +150 | $^{\circ}$ C |
| | Lead Temperature (soldering, 10 seconds) | 300 | $^{\circ}$ C |

RECEIVE SECTION

The receive section consist of an expanding DAC which drives a fifth order switched-capacitor low pass filter clocked at 256kHz. The decoder is A-law (ETC5067 and ETC5067-X) or μ -law (ETC5064 and ETC5064-X) and the 5 th order low pass filter corrects for the $\sin x/x$ attenuation due to the 8kHz sample and hold. The filter is then followed by a 2 nd order RC active post-filter and power amplifier capable of driving a 600 Ω load to a level of 7.2dBm. The receive section is unity-gain. Upon the occurrence of FS_R , the data at the D_R input is clocked in on the falling edge of the next eight $BCLK_R$ ($BCLK_X$) periods. At the end of the decoder time slot, the decoding cycle begins, and 10 μ s later the decoder DAC output is updated. The total decoder delay is about 10 μ s (decoder up-date) plus 110 μ s (filter delay) plus 62.5 μ s (1/2 frame), which gives approximately 180 μ s.

RECEIVE POWER AMPLIFIERS

Two inverting mode power amplifiers are provided for directly driving a matched line interface transformer. The gain of the first power amplifier can be adjusted to boost the $\pm 2.5V$ peak output signal from the receive filter up $\pm 3.3V$ peak into an unbalanced 300 Ω load, or $\pm 4.0V$ into an unbalanced 15k Ω load. The second power amplifier is internally connected in unity-gain inverting mode to give 6dB of signal gain for balanced loads. Maximum power transfer to a 600 Ω subscriber line termination is obtained by differentially driving a balanced transformer with a $\sqrt{2} : 1$ turns ratio, as shown in figure 4. A total peak power of 15.6dBm can be delivered to the load plus termination. Both power amplifier can be powered down independently from the PDN input by connecting the VPI input to V_{BB} saving approximately 12 mW of power.

ETC5064 - ETC5064-X - ETC5067 - ETC5067-X

ELECTRICAL OPERATING CHARACTERISTICS

$V_{CC} = 5.0V \pm 5\%$, $V_{BB} = -5V \pm 5\%$, $G_{NDA} = 0V$, $T_A = 0^\circ C$ to $70^\circ C$ (ETC5064-X/67-X: $T_A = -40^\circ C$ to $85^\circ C$), unless otherwise noted; typical characteristics specified at $V_{CC} = 5.0V$, $V_{BB} = -5.0V$, $T_A = 25^\circ C$; all signals are referenced to G_{NDA} .

DIGITAL INTERFACE (All devices)

| Symbol | Parameter | Min. | Typ. | Max. | Unit |
|----------|---|------|------|------------|---------|
| V_{IL} | Input Low Voltage | | | 0.6 | V |
| V_{IH} | Input High Voltage | 2.2 | | | V |
| V_{OL} | Output Low Voltage $I_L = 3.2$ mA $I_L = 3.2$ mA, Open Drain | | | 0.4 0.4 | V V |
| V_{OH} | Output High Voltage $I_H = 3.2$ mA | 2.4 | | | V |
| I_{IL} | Input Low Current ($G_{NDA} \leq V_{IN} \leq V_{IL}$) all digital inputs Except $BCLK_R$ | - 10 | | 10 | μA |
| I_{IH} | Input High Current ($V_{IH} \leq V_{IN} \leq V_{CC}$) Except $ANLB$ | - 10 | | 10 | μA |
| I_{OZ} | Output Current in High Impedance State (TRI-STATE) ($G_{NDA} \leq V_O \leq V_{CC}$) | - 10 | | 10 | μA |

ANALOG INTERFACE WITH TRANSMIT INPUT AMPLIFIER (all devices)

| Symbol | Parameter | Min. | Typ. | Max. | Unit |
|-------------|---|-------|------|------|------------|
| I_{IXA} | Input Leakage Current (-2.5 V $\leq V \leq +2.5$ V) | - 200 | | 200 | nA |
| R_{IXA} | Input Resistance (-2.5 V $\leq V \leq +2.5$ V) | 10 | | | M Ω |
| R_{OXA} | Output Resistance (closed loop, unity gain) | | 1 | 3 | Ω |
| R_{LXA} | Load Resistance | 10 | | | k Ω |
| C_{LXA} | Load Capacitance | | | 50 | pF |
| V_{OXA} | Output Dynamic Range ($R_L \geq 10$ k Ω) | - 2.8 | | +2.8 | V |
| A_{VXA} | Voltage Gain (V_{FXI}^+ to GS_X) | 5000 | | | V/V |
| F_{UXA} | Unity Gain Bandwidth | 1 | 2 | | MHz |
| V_{OSXA} | Offset Voltage | - 20 | | 20 | mV |
| V_{CMXA} | Common-mode Voltage | - 2.5 | | 2.5 | V |
| $CMRR_{XA}$ | Common-mode Rejection Ratio | 60 | | | dB |
| $PSRR_{XA}$ | Power Supply Rejection Ratio | 60 | | | dB |

ANALOG INTERFACE WITH RECEIVE FILTER (all devices)

| Symbol | Parameter | Min. | Typ. | Max. | Unit |
|------------|--|-------|------|------|------------|
| R_{ORF} | Output Resistance | | 1 | 3 | Ω |
| R_{LRF} | Load Resistance ($V_{FRO} = \pm 2.5$ V) | 10 | | | k Ω |
| C_{LRF} | Load Capacitance | | | 25 | pF |
| V_{OSRO} | Output DC Offset Voltage | - 200 | | 200 | mV |

ETC5064 - ETC5064-X - ETC5067 - ETC5067-X

ELECTRICAL OPERATING CHARACTERISTICS (Continued)

ANALOG INTERFACE WITH POWER AMPLIFIERS (all devices)

| Symbol | Parameter | Min. | Typ. | Max. | Unit |
|------------------|---|----------|------|--------------------|------------|
| IPI | Input Leakage Current ($-1.0\text{ V} \leq V_{PI} \leq 1.0\text{ V}$) | - 100 | | 100 | nA |
| RIPI | Input Resistance ($-1.0 \leq V_{PI} \leq 1.0\text{ V}$) | 10 | | | M Ω |
| VIOS | Input Offset Voltage | - 25 | | 25 | mV |
| ROP | Output Resistance (inverting unity-gain at VPO ⁺ or VPO ⁻) | | 1 | | Ω |
| F _C | Unity-gain Bandwidth, Open Loop (VPO ⁻) | | 400 | | kHz |
| C _{LP} | Load Capacitance (VPO ⁺ or VPO ⁻ to GNDA) R _L ≥ 1500 Ω R _L = 600 Ω R _L = 300 Ω | | | 100 500 1000 | pF |
| GAp ⁺ | Gain VPO ⁻ to VPO ⁺ to GNDA, Level at VPO ⁻ = 1.77 V _{rms} (+ 3 dBmO) | | - 1 | | V/V |
| PSRRp | Power Supply Rejection of V _{CC} or V _{BB} (VPO ⁻ connected to VPI) 0 kHz – 4 kHz 0 kHz – 50 kHz | 60 36 | | | dB |

POWER DISSIPATION (all devices)

| Symbol | Parameter | Min. | Typ. | Max. | Unit |
|------------------|--|------|--------------|--------------|----------|
| I _{CC0} | Power-down Current at ETC6064/67 ETC5064-X/67-X | | 0.5 0.5 | 1.5 | mA mA |
| I _{BB0} | Power-down Current at ETC6064/67 ETC5064-X/67-X | | 0.05 0.05 | 0.3 0.4 | mA mA |
| I _{CC1} | Active Current at ETC6064/67 ETC5064-X/67-X | | 7.0 7.0 | 10.0 12.0 | mA mA |
| I _{BB1} | Active Current at ETC6064/67 ETC5064-X/67-X | | 7.0 7.0 | 10.0 12.0 | mA mA |

ETC5064 - ETC5064-X - ETC5067 - ETC5067-X

All TIMING SPECIFICATIONS

| Symbol | Parameter | Min. | Typ. | Max. | Unit |
|-------------------|--|------|-------------------------|--------|------|
| 1/t _{PM} | Frequency of master clocks MCLK _X and MCLK _R Depends on the device used and the BCLK _R /CLKSEL Pin | | 1.536 2.048 1.544 | | MHz |
| t _{WMH} | Width of Master Clock High MCLK _X and MCLK _R | 160 | | | ns |
| t _{WML} | Width of Master Clock Low MCLK _X and MCLK _R | 160 | | | ns |
| t _{RM} | Rise Time of Master Clock MCLK _X and MCLK _R | | | 50 | ns |
| t _{FM} | Fall Time of Master Clock MCLK _X and MCLK _R | | | 50 | ns |
| t _{PB} | Period of Bit Clock | 485 | 488 | 15.725 | ns |
| t _{WBH} | Width of Bit Clock High (V _{IH} = 2.2 V) | 160 | | | ns |
| t _{WBL} | Width of Bit Clock Low (V _{IL} = 0.6 V) | 160 | | | ns |
| t _{RB} | Rise Time of Bit Clock (t _{PB} = 488 ns) | | | 50 | ns |
| t _{FB} | Fall Time of Bit Clock (t _{PB} = 488 ns) | | | 50 | ns |
| t _{SBFM} | Set-up time from BCLK _X high to MCLK _X falling edge. (first bit clock after the leading edge of FS _X) | 100 | | | ns |
| t _{HBF} | Holding Time from Bit Clock Low to the Frame Sync (long frame only) | 0 | | | ns |
| t _{SBF} | Set-up Time from Frame Sync to Bit Clock (long frame only) | 80 | | | ns |
| t _{HBF1} | Hold Time from 3rd Period of Bit Clock Low to Frame Sync (long frame only) FS _X or FS _R | 100 | | | ns |
| t _{DZF} | Delay Time to valid data from FS _X or BCLK _X , whichever comes later and delay time from FS _X to data output disabled (C _L = 0 pF to 150 pF) | 20 | | 165 | ns |
| t _{DBD} | Delay Time from BCLK _X high to data valid (load = 150 pF plus 2 LSTTL loads) | 0 | | 150 | ns |
| t _{DZC} | Delay Time from BCLK _X low to data output disabled | 50 | | 165 | ns |
| t _{SDB} | Set-up Time from D _R valid to BCLK _{R/X} low | 50 | | | ns |
| t _{HBD} | Hold Time from BCLK _{R/X} low to D _R invalid | 50 | | | ns |
| t _{HOLD} | Holding Time from Bit Clock High to Frame Sync (short frame only) | 0 | | | ns |
| t _{SF} | Set-up Time from FS _{X/R} to BCLK _{X/R} Low (short frame sync pulse) - Note 1 | 80 | | | ns |
| t _{HF} | Hold Time from BCLK _{X/R} Low to FS _{X/R} Low (short frame sync pulse) - Note 1 | 100 | | | ns |
| t _{XDP} | Delay Time to TS _X low (load = 150 pF plus 2 LSTTI loads) | | | 140 | ns |
| t _{WFL} | Minimum Width of the Frame Sync Pulse (low level) (64 bit/s operating mode) | 160 | | | ns |

Note : 1.For short frame sync timing. FS_X and FS_R must go high while their respective bit clocks are high.

Figure 1 : 64 k bits/s TIMING DIAGRAM. (see next page for complete timing)

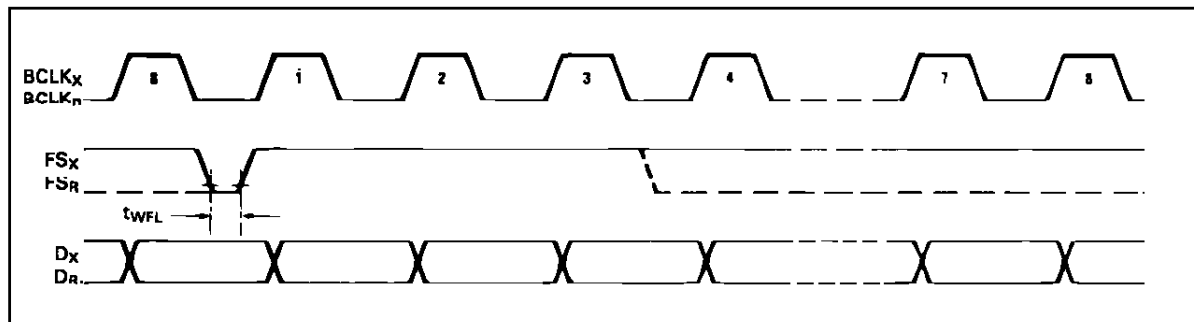
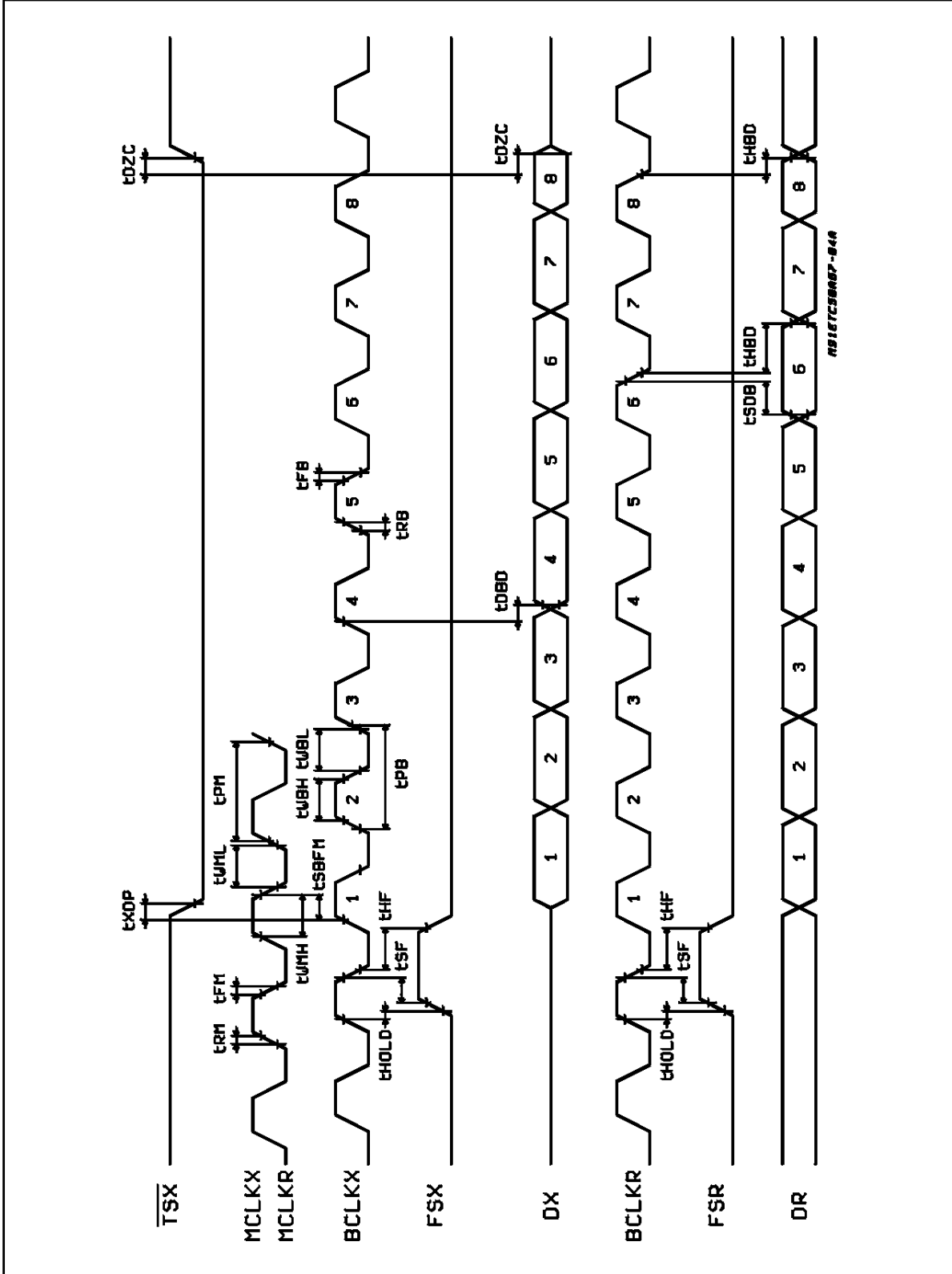


Figure 2 : Short Frame Sync Timing.



ETC5064 - ETC5064-X - ETC5067 - ETC5067-X

TRANSMISSION CHARACTERISTICS

(all devices) $T_A = 0^\circ\text{C}$ to 70°C (ETC5064-X/67-X: $T_A = -40^\circ\text{C}$ to 85°C), $V_{CC} = 5\text{V} \pm 5\%$, $V_{BB} = -5\text{V} \pm 5\%$, $G_{NDA} = 0\text{V}$, $f = 1.02\text{kHz}$, $V_{IN} = 0\text{dBm}_0$ transmit input amplifier connected for unity-gain non-inverting. (unless otherwise specified).

AMPLITUDE RESPONSE

| Symbol | Parameter | Min. | Typ. | Max. | Unit |
|-----------|---|--|----------------|--|------|
| | Absolute Levels - Nominal 0 dBm ₀ is 4 dBm (600Ω). 0 dBm ₀ | | 1.2276 | | Vrms |
| t_{MAX} | Max Overload Level 3.14 dBm ₀ ETC5067 3.17 dBm ₀ ETC5064 | | 2.492 2.501 | | VPK |
| G_{XA} | Transmit Gain, Absolute ($T_A = 25^\circ\text{C}$, $V_{CC} = 5\text{V}$, $V_{BB} = -5\text{V}$) Input at $G_{SX} = 0\text{dBm}_0$ at 1020Hz | -0.15 | | 0.15 | dB |
| G_{XR} | Transmit Gain, Relative to G_{XA} f = 16Hz f = 50Hz f = 60Hz f = 180Hz f = 200Hz f = 300Hz -3000Hz f = 3200Hz (ETC5064-X/67-X) f = 3300Hz f = 3400Hz f = 4000Hz f = 4600Hz and up, measure response from 0Hz to 4000Hz | - - - -2.8 -1.8 -0.15 -0.35 -0.35 -0.7 | | -40 -30 -26 -0.2 -0.1 0.15 0.20 0.05 0 -14 -32 | dB |
| G_{XAT} | Absolute Transmit Gain Variation with Temperature $T_A = 0^\circ\text{C}$ to $+70^\circ\text{C}$ $T_A = -40^\circ\text{C}$ to $+85^\circ\text{C}$ (ETC5064-X/67-X) | -0.1 -0.15 | | 0.1 0.15 | dB |
| G_{XAV} | Absolute Transmit Gain Variation with Supply Voltage ($V_{CC} = 5\text{V} \pm 5\%$, $V_{BB} = -5\text{V} \pm 5\%$) | -0.05 | | 0.05 | dB |
| G_{XRL} | Transmit Gain Variation with Level Sinusoidal Test Method Reference Level = -10dBm ₀ $V_{FXI}^+ = -40\text{dBm}_0$ to $+3\text{dBm}_0$ $V_{FXI}^+ = -50\text{dBm}_0$ to -40dBm_0 $V_{FXI}^+ = -55\text{dBm}_0$ to -50dBm_0 | -0.2 -0.4 -1.2 | | 0.2 0.4 1.2 | dB |
| G_{RA} | Receive Gain, Absolute ($T_A = 25^\circ\text{C}$, $V_{CC} = 5\text{V}$, $V_{BB} = -5\text{V}$) Input = Digital Code Sequence for 0dBm ₀ Signal at 1020Hz | -0.15 | | 0.15 | dB |
| G_{RR} | Receive Gain, Relative to G_{RA} f = 0Hz to 3000Hz f = 3200Hz (ETC5064-X/67-X) f = 3300Hz f = 3400Hz f = 4000Hz | -0.15 -0.35 -0.35 -0.7 | | 0.15 0.20 0.05 0 -14 | dB |
| G_{RAT} | Absolute Receive Gain Variation with Temperature $T_A = 0^\circ\text{C}$ to $+70^\circ\text{C}$ $T_A = -40^\circ\text{C}$ to $+85^\circ\text{C}$ (ETC5064-X/67-X) | -0.1 -0.15 | | 0.1 0.15 | dB |
| G_{RAV} | Absolute Receive Gain Variation with Supply Voltage ($V_{CC} = 5\text{V} \pm 5\%$, $V_{BB} = -5\text{V} \pm 5\%$) | -0.05 | | 0.05 | dB |
| G_{RRL} | Receive Gain Variation with Level Sinusoidal Test Method; Reference Input PCM code corresponds to an ideally encoded -10dBm ₀ signal PCM level = -40dBm ₀ to $+3\text{dBm}_0$ PCM level = -50dBm ₀ to -40dBm_0 PCM level = -55dBm ₀ to -50dBm_0 | -0.2 -0.4 -1.2 | | 0.2 0.4 1.2 | dB |
| V_{RO} | Receive Filter Output at V_{FRO} $R_L = 10\text{K}\Omega$ | -2.5 | | 2.5 | V |

ETC5064 - ETC5064-X - ETC5067 - ETC5067-X

TRANSMISSION CHARACTERISTICS (continued). ENVELOPE DELAY DISTORTION WITH FREQUENCY

| Symbol | Parameter | Min. | Typ. | Max. | Unit |
|-----------------|--|--------------|---|--|------|
| D _{XA} | Transmit Delay, Absolute (f = 1600 Hz) | | 290 | 315 | μs |
| D _{XR} | Transmit Delay, Relative to D _{XA} f = 500 Hz-600 Hz f = 600 Hz-800 Hz f = 800 Hz-1000 Hz f = 1000 Hz-1600 Hz f = 1600 Hz-2600Hz f = 2600 Hz-2800 Hz f = 2800 Hz-3000 Hz | | 195 120 50 20 55 80 130 | 220 145 75 40 75 105 155 | μs |
| D _{RA} | Receive Delay, Absolute (f = 1600 Hz) | | 180 | 200 | μs |
| D _{RR} | Receive Delay, Relative to D _{RA} f = 500 Hz-1000 Hz f = 1000 Hz-1600 Hz f = 1600 Hz-2600 Hz f = 2600 Hz-2800 Hz f = 2800 Hz-3000 Hz | - 40 - 30 | - 25 - 20 70 100 145 | 90 125 175 | μs |

NOISE

| Symbol | Parameter | Min. | Typ. | Max. | Unit |
|-------------------|---|----------------------|--------------|-------------------|------------------------|
| N _{XP} | Transmit Noise, P Message (A-LAW, VF _{XI} ⁺ = 0 V) Weighted 1) ETC5064 ETC5064-X | | - 74 - 74 | - 69 - 67 | dBm0p dBm0p |
| N _{RP} | Receive Noise, P Message Weighted (A-LAW, PCM Code Equals Positive Zero) | | - 82 | - 79 | dBm0p |
| N _{XC} | Transmit Noise, C Message Weighted (μ-LAW, VF _{XI} ⁺ = 0 V) ETC5064 ETC5064-X | | 12 12 | 15 16 | dBrnC0 dBrnC0 |
| N _{RC} | Receive Noise, C Message Weighted (μ-LAW, PCM Code Equals Alternating Positive and Negative Zero) | | 8 | 11 | dBrnC0 |
| N _{RS} | Noise, Single Frequency f = 0 kHz to 100 kHz, Loop around Measurement, VF _{XI} ⁺ = 0 V | | | - 53 | dBm0 |
| PPSR _X | Positive Power Supply Rejection, Transmit (note 2) V _{CC} = 5.0 V _{DC} + 100 mVrms, f = 0 kHz-50 kHz | 40 | | | dBp |
| NPSR _X | Negative Power Supply Rejection, Transmit (note 2) V _{BB} = 5.0 V _{DC} + 100 mVrms, f = 0 kHz-50 kHz | 40 | | | dBp |
| PPSR _R | Positive Power Supply Rejection, Receive (PCM code equals positive zero, V _{CC} = 5.0 V _{DC} + 100 mVrms) f = 0 Hz-4000Hz A LAW μ LAW f = 4 kHz-25 kHz f = 25 kHz-50 kHz | 40 40 40 36 | | | dBp dBc dB dB |
| NPSR _R | Negative Power Supply Rejection, Receive (PCM code equals positive zero, V _{BB} = - 5.0 V _{DC} + 100 mVrms) f = 0 Hz-4000Hz A LAW μ LAW f = 4 kHz-25 kHz f = 25 kHz-50 kHz | 40 40 40 36 | | | dBp dBc dB dB |
| SOS | Spurious out-of-band Signals at the Channel Output 0 dBm0, 300 Hz-3400 Hz input PCM applied at D _R 4600 Hz-7600 Hz 7600 Hz-8400 Hz 8400 Hz-100,000 Hz | | | -32 -40 -32 | dB dB dB |

TRANSMISSION CHARACTERISTICS (continued).

DISTORTION

| Symbol | Parameter | Min. | Typ. | Max. | Unit |
|--|--|--------|------|------|---------------|
| STD _X or STD _R | Signal to Total Distortion (sinusoidal test method) | | | | |
| | Transmit or Receive Half-channel | | | | dBp (ALAW) |
| | Level = 3.0 dBm0 | 33 | | | |
| | = 0 dBm0 to - 30 dBm0 | 36 | | | |
| | = - 40 dBm0 | XMT 29 | | | dBc (μLAW) |
| | = - 55 dBm0 | RCV 30 | | | |
| | | XMT 14 | | | |
| | | RCV 15 | | | |
| SFD _X | Single Frequency Distortion, Transmit (T _A = 25°C) | | | - 46 | dB |
| SFD _R | Single Frequency Distortion, Receive (T _A = 25°C) | | | - 46 | dB |
| IMD | Intermodulation Distortion Loop Around Measurement, VF _{XI} ⁺ = - 4 dBm0 to - 21 dBm0, two Frequencies in the Range 300 Hz-3400 Hz | | | - 41 | dB |

CROSSTALK

| Symbol | Parameter | Min. | Typ. | Max. | Unit |
|-------------------|---|------|------|------|------|
| CT _{X-R} | Transmit to Receive Crosstalk, 0dBm0 Transmit | | | | |
| | f = 300 Hz-3400 Hz, D _R = Steady PCM Code | | - 90 | - 75 | dB |
| | ETC5064/67 | | | - 65 | dB |
| | ETC5064-X/67-X | | | | |
| CT _{R-X} | Receive to Transmit Crosstalk, 0dBm0 Receive Level (note 2) | | | | |
| | f = 300 Hz-3400 Hz, VF _{XI} = 0 V | | - 90 | - 70 | dB |
| | ETC5064/67 | | | - 65 | dB |
| | ETC5064-X/67-X | | | | |

POWER AMPLIFIERS

| Symbol | Parameter | Min. | Typ. | Max. | Unit |
|------------------|---|------|------|------|------|
| V _{OL} | Maximum 0 dBm0 Level for Better than ± 0.1 dB Linearity Over the Range 10 dBm0 to + 3 dBm0 (balanced load, R _L connected between VPO ⁺ and VPO ⁻) | | | | Vrms |
| | R _L = 600 Ω | 33 | | | |
| | R _L = 1200 Ω | 3.5 | | | |
| | R _L = 30 kΩ | 4.0 | | | |
| S/D _P | Signal/Distortion R _L = 600 Ω, 0 dBm0 | 50 | | | dB |

- Notes :** 1. Measured by extrapolation from the distortion test results.
2. PPSRX, NPSRX, CTR-X measured with a -50dBm0 activating signal applied at VF_{XI}⁺

ENCODING FORMAT AT D_X OUTPUT

| | A-Law (Including even bit inversion) | μLaw |
|--|---|-----------------|
| V _{IN} (at GS _X) = + Full-scale | 1 0 1 0 1 0 1 0 | 1 0 0 0 0 0 0 0 |
| V _{IN} (at GS _X) = 0 V | 1 1 0 1 0 1 0 1 | 1 1 1 1 1 1 1 1 |
| | 0 1 0 1 0 1 0 1 | 0 1 1 1 1 1 1 1 |
| V _{IN} (at GS _X) = - Full-scale | 0 0 1 0 1 0 1 0 | 0 0 0 0 0 0 0 0 |

APPLICATION INFORMATION

POWER SUPPLIES

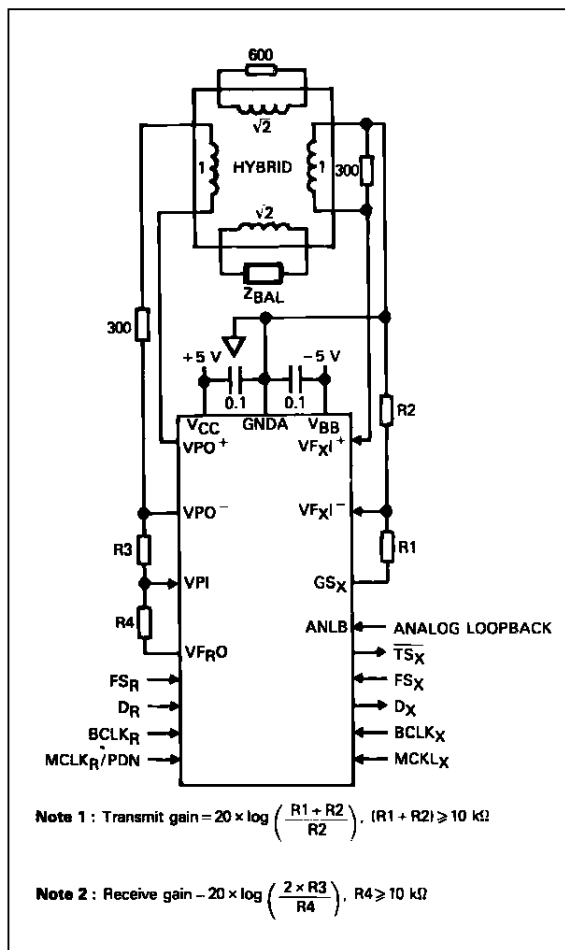
While the pins at the ETC506X family are well protected against electrical misure, it is recommended that the standard CMOS practice be followed, ensuring that ground is connected to the device before any other connections are made. In applications where the printed circuit board may be plugged into a "hot" socket with power and clocks already present, an extra long ground pin in the connector should be used.

All ground connections to each device should meet at a common point as close as possible to the GNDA pin. This minimizes the interaction of ground return currents flowing through a common bus impedance. 0.1µF supply decoupling capacitors should be connected from this common ground point to VCC and VBB as close to the device as possible.

For best performance, the ground point of each CODEC/FILTER on a card should be connected to a common card ground in star formation, rather than via a ground bus. This common ground point should be decoupled to VCC and VBB with 10µF capacitors.

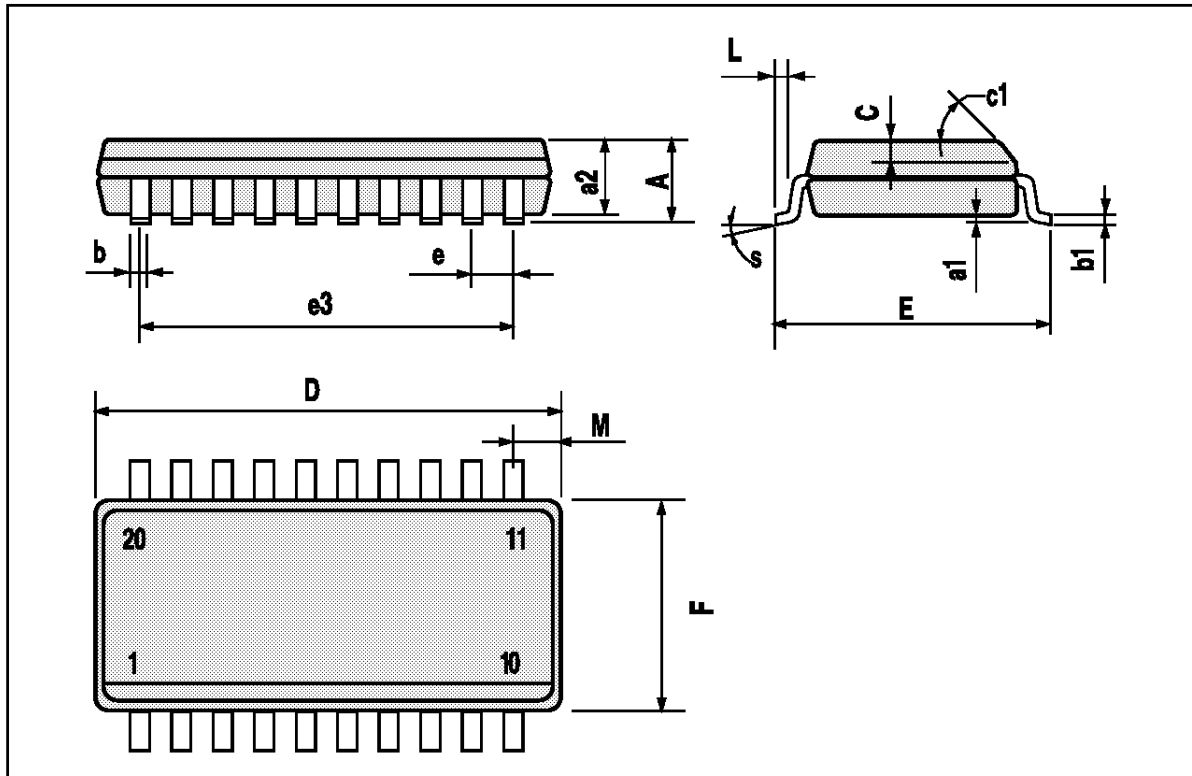
For best performance, \overline{TS}_x should be grounded if not used.

Figure 4 : Typical Asynchronous Application.



SO20 PACKAGE MECHANICAL DATA

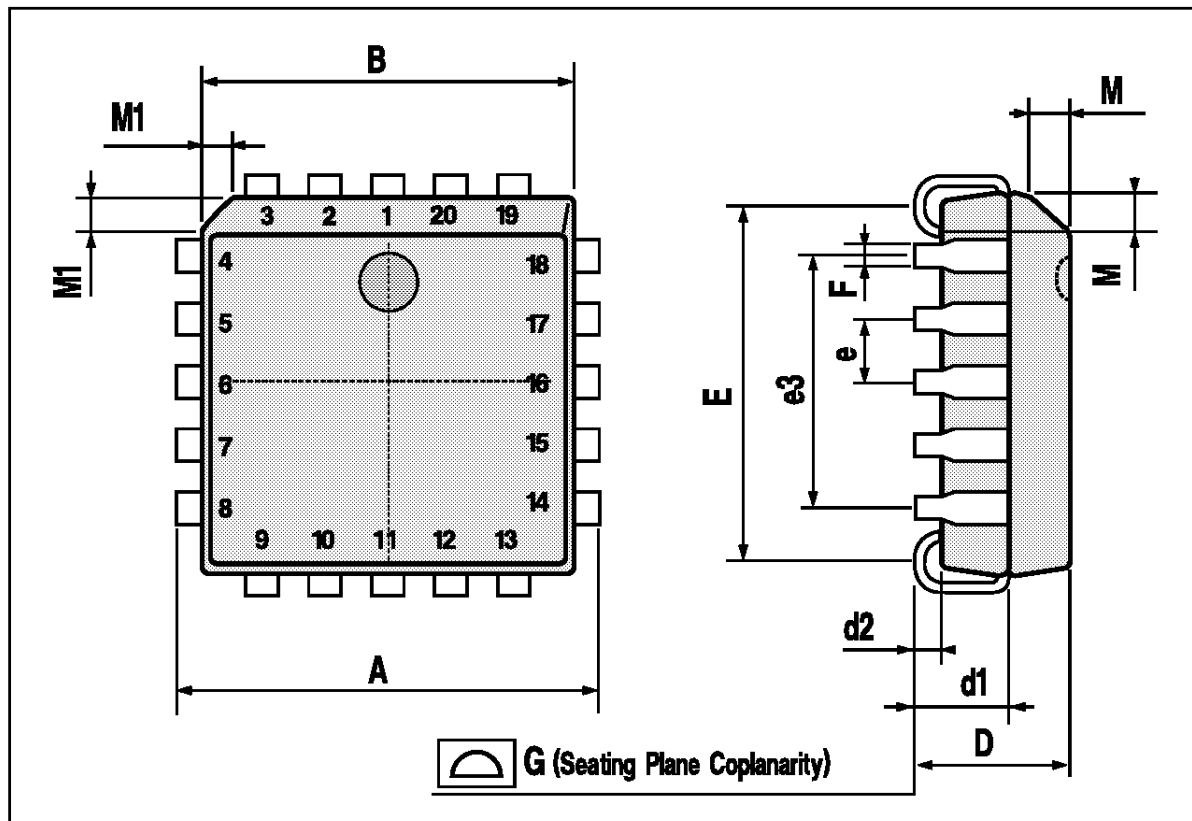
| DIM. | mm | | | inch | | |
|------|------------|-------|-------|-------|-------|-------|
| | MIN. | TYP. | MAX. | MIN. | TYP. | MAX. |
| A | | | 2.65 | | | 0.104 |
| a1 | 0.1 | | 0.2 | 0.004 | | 0.008 |
| a2 | | | 2.45 | | | 0.096 |
| b | 0.35 | | 0.49 | 0.014 | | 0.019 |
| b1 | 0.23 | | 0.32 | 0.009 | | 0.013 |
| C | | 0.5 | | | 0.020 | |
| c1 | 45° (typ.) | | | | | |
| D | 12.6 | | 13.0 | 0.496 | | 0.510 |
| E | 10 | | 10.65 | 0.394 | | 0.419 |
| e | | 1.27 | | | 0.050 | |
| e3 | | 11.43 | | | 0.450 | |
| F | 7.4 | | 7.6 | 0.291 | | 0.300 |
| L | 0.5 | | 1.27 | 0.020 | | 0.050 |
| M | | | 0.75 | | | 0.030 |
| S | 8° (max.) | | | | | |



ETC5064 - ETC5064-X - ETC5067 - ETC5067-X

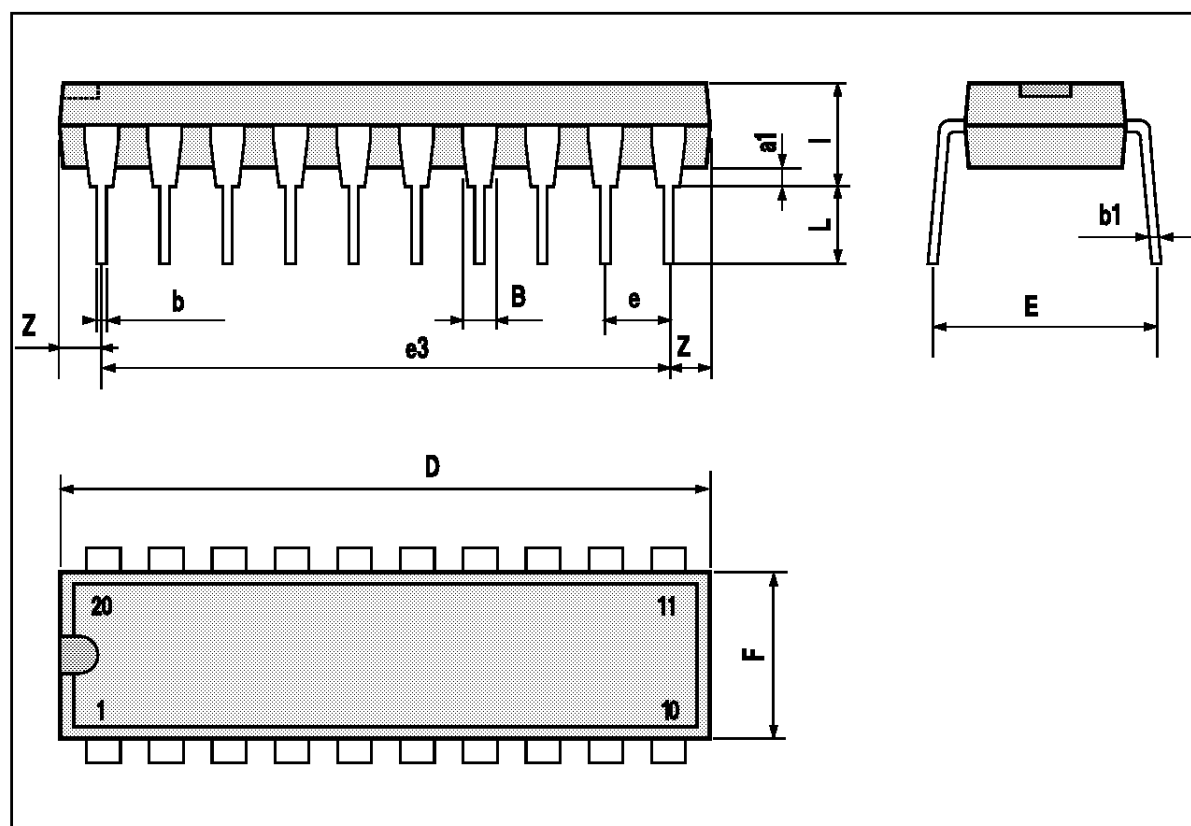
PLCC20 PACKAGE MECHANICAL DATA

| DIM. | mm | | | inch | | |
|------|------|------|-------|-------|-------|-------|
| | MIN. | TYP. | MAX. | MIN. | TYP. | MAX. |
| A | 9.78 | | 10.03 | 0.385 | | 0.395 |
| B | 8.89 | | 9.04 | 0.350 | | 0.356 |
| D | 4.2 | | 4.57 | 0.165 | | 0.180 |
| d1 | | 2.54 | | | 0.100 | |
| d2 | | 0.56 | | | 0.022 | |
| E | 7.37 | | 8.38 | 0.290 | | 0.330 |
| e | | 1.27 | | | 0.050 | |
| e3 | | 5.08 | | | 0.200 | |
| F | | 0.38 | | | 0.015 | |
| G | | | 0.101 | | | 0.004 |
| M | | 1.27 | | | 0.050 | |
| M1 | | 1.14 | | | 0.045 | |



DIP20 PACKAGE MECHANICAL DATA

| DIM. | mm | | | inch | | |
|------|-------|-------|------|-------|-------|-------|
| | MIN. | TYP. | MAX. | MIN. | TYP. | MAX. |
| a1 | 0.254 | | | 0.010 | | |
| B | 1.39 | | 1.65 | 0.055 | | 0.065 |
| b | | 0.45 | | | 0.018 | |
| b1 | | 0.25 | | | 0.010 | |
| D | | | 25.4 | | | 1.000 |
| E | | 8.5 | | | 0.335 | |
| e | | 2.54 | | | 0.100 | |
| e3 | | 22.86 | | | 0.900 | |
| F | | | 7.1 | | | 0.280 |
| I | | | 3.93 | | | 0.155 |
| L | | 3.3 | | | 0.130 | |
| Z | | | 1.34 | | | 0.053 |



Information furnished is believed to be accurate and reliable. However, SGS-THOMSON Microelectronics assumes no responsibility for the consequences of use of such information nor for any infringement of patents or other rights of third parties which may result from its use. No license is granted by implication or otherwise under any patent or patent rights of SGS-THOMSON Microelectronics. Specifications mentioned in this publication are subject to change without notice. This publication supersedes and replaces all information previously supplied. SGS-THOMSON Microelectronics products are not authorized for use as critical components in life support devices or systems without express written approval of SGS-THOMSON Microelectronics.

© 1994 SGS-THOMSON Microelectronics - All Rights Reserved

SGS-THOMSON Microelectronics GROUP OF COMPANIES

Australia - Brazil - France - Germany - Hong Kong - Italy - Japan - Korea - Malaysia - Malta - Morocco - The Netherlands - Singapore - Spain - Sweden - Switzerland - Taiwan - Thailand - United Kingdom - U.S.A.