

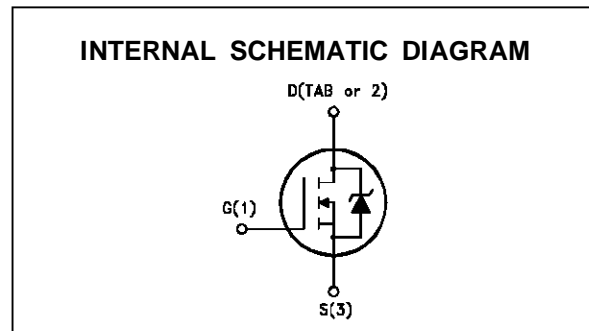
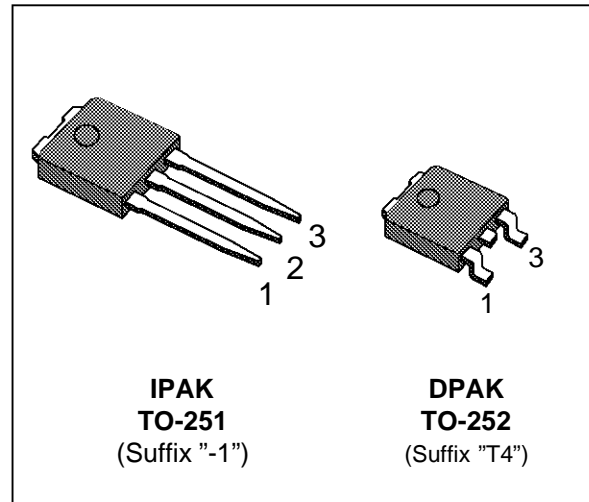
N - CHANNEL ENHANCEMENT MODE LOW THRESHOLD POWER MOS TRANSISTOR

| TYPE | V _{DSS} | R _{DS(on)} | I _D |
|-----------|------------------|---------------------|----------------|
| STD15N06L | 60 V | < 0.1 Ω | 15 A |

- TYPICAL R_{DS(on)} = 0.075 Ω
- AVALANCHE RUGGED TECHNOLOGY
- 100% AVALANCHE TESTED
- REPETITIVE AVALANCHE DATA AT 100°C
- LOW GATE CHARGE
- HIGH CURRENT CAPABILITY
- 175°C OPERATING TEMPERATURE
- APPLICATION ORIENTED CHARACTERIZATION
- THROUGH-HOLE IPAK (TO-251) POWER PACKAGE IN TUBE (SUFFIX "-1")
- SURFACE-MOUNTING DPAK (TO-252) POWER PACKAGE IN TAPE & REEL (SUFFIX "T4")

APPLICATIONS

- HIGH CURRENT, HIGH SPEED SWITCHING
- SOLENOID AND RELAY DRIVERS
- REGULATORS
- DC-DC & DC-AC CONVERTERS
- MOTOR CONTROL, AUDIO AMPLIFIERS
- AUTOMOTIVE ENVIRONMENT (INJECTION, ABS, AIR-BAG, LAMPDRIVERS, Etc.)



ABSOLUTE MAXIMUM RATINGS

| Symbol | Parameter | Value | Unit |
|---------------------|---|------------|------|
| V _{DS} | Drain-source Voltage (V _{GS} = 0) | 60 | V |
| V _{DGR} | Drain- gate Voltage (R _{GS} = 20 kΩ) | 60 | V |
| V _{GS} | Gate-source Voltage | ± 15 | V |
| I _D | Drain Current (continuous) at T _c = 25 °C | 15 | A |
| I _D | Drain Current (continuous) at T _c = 100 °C | 10 | A |
| I _{DM} (●) | Drain Current (pulsed) | 60 | A |
| P _{tot} | Total Dissipation at T _c = 25 °C | 50 | W |
| | Derating Factor | 0.33 | W/°C |
| T _{stg} | Storage Temperature | -65 to 175 | °C |
| T _j | Max. Operating Junction Temperature | 175 | °C |

(●) Pulse width limited by safe operating area

STD15N06L

THERMAL DATA

| | | | | |
|----------------|--|-----|-----|---------------|
| $R_{thj-case}$ | Thermal Resistance Junction-case | Max | 3 | $^{\circ}C/W$ |
| $R_{thj-amb}$ | Thermal Resistance Junction-ambient | Max | 100 | $^{\circ}C/W$ |
| $R_{thc-sink}$ | Thermal Resistance Case-sink | Typ | 1.5 | $^{\circ}C/W$ |
| T_l | Maximum Lead Temperature For Soldering Purpose | | 275 | $^{\circ}C$ |

AVALANCHE CHARACTERISTICS

| Symbol | Parameter | Max Value | Unit |
|----------|---|-----------|------|
| I_{AR} | Avalanche Current, Repetitive or Not-Repetitive (pulse width limited by T_j max, $\delta < 1\%$) | 15 | A |
| E_{AS} | Single Pulse Avalanche Energy (starting $T_j = 25^{\circ}C$, $I_D = I_{AR}$, $V_{DD} = 25 V$) | 50 | mJ |
| E_{AR} | Repetitive Avalanche Energy (pulse width limited by T_j max, $\delta < 1\%$) | 12 | mJ |
| I_{AR} | Avalanche Current, Repetitive or Not-Repetitive ($T_c = 100^{\circ}C$, pulse width limited by T_j max, $\delta < 1\%$) | 10 | A |

ELECTRICAL CHARACTERISTICS ($T_{case} = 25^{\circ}C$ unless otherwise specified)

OFF

| Symbol | Parameter | Test Conditions | Min. | Typ. | Max. | Unit |
|---------------|--|--|------|------|-------------|--------------------|
| $V_{(BR)DSS}$ | Drain-source Breakdown Voltage | $I_D = 250 \mu A$ $V_{GS} = 0$ | 60 | | | V |
| I_{DSS} | Zero Gate Voltage Drain Current ($V_{GS} = 0$) | $V_{DS} = \text{Max Rating}$ $V_{DS} = \text{Max Rating} \times 0.8$ $T_c = 125^{\circ}C$ | | | 250 1000 | μA μA |
| I_{GSS} | Gate-body Leakage Current ($V_{DS} = 0$) | $V_{GS} = \pm 15 V$ | | | ± 100 | nA |

ON (*)

| Symbol | Parameter | Test Conditions | Min. | Typ. | Max. | Unit |
|--------------|-----------------------------------|---|------|-------|------------|----------------------|
| $V_{GS(th)}$ | Gate Threshold Voltage | $V_{DS} = V_{GS}$ $I_D = 250 \mu A$ | 1 | 1.7 | 2.5 | V |
| $R_{DS(on)}$ | Static Drain-source On Resistance | $V_{GS} = 5V$ $I_D = 7.5 A$ $V_{GS} = 5V$ $I_D = 7.5 A$ $T_c = 100^{\circ}C$ | | 0.075 | 0.1 0.2 | Ω Ω |
| $I_{D(on)}$ | On State Drain Current | $V_{DS} > I_{D(on)} \times R_{DS(on)max}$ $V_{GS} = 10 V$ | 15 | | | A |

DYNAMIC

| Symbol | Parameter | Test Conditions | Min. | Typ. | Max. | Unit |
|--------------|------------------------------|---|------|------|------|------|
| $g_{fs} (*)$ | Forward Transconductance | $V_{DS} > I_{D(on)} \times R_{DS(on)max}$ $I_D = 7.5 A$ | 3 | 5 | | S |
| C_{iss} | Input Capacitance | $V_{DS} = 25 V$ $f = 1 MHz$ $V_{GS} = 0$ | | 700 | 950 | pF |
| C_{oss} | Output Capacitance | | | 230 | 310 | pF |
| C_{rss} | Reverse Transfer Capacitance | | | 80 | 110 | pF |

ELECTRICAL CHARACTERISTICS (continued)

SWITCHING ON

| Symbol | Parameter | Test Conditions | Min. | Typ. | Max. | Unit |
|-------------------------------|--|---|------|--------------|-----------|----------------|
| $t_{d(on)}$ t_r | Turn-on Time Rise Time | $V_{DD} = 30\text{ V}$ $I_D = 7.5\text{ A}$ $R_G = 4.7\ \Omega$ $V_{GS} = 5\text{ V}$ (see test circuit figure) | | 15 160 | 60 200 | ns ns |
| $(di/dt)_{on}$ | Turn-on Current Slope | $V_{DD} = 40\text{ V}$ $I_D = 15\text{ A}$ $R_G = 47\ \Omega$ $V_{GS} = 5\text{ V}$ (see test circuit figure) | | 70 | | A/ μ s |
| Q_g Q_{gs} Q_{gd} | Total Gate Charge Gate-Source Charge Gate-Drain Charge | $V_{DD} = 40\text{ V}$ $I_D = 15\text{ A}$ $V_{GS} = 5\text{ V}$ | | 18 8 9 | 30 | nC nC nC |

SWITCHING OFF

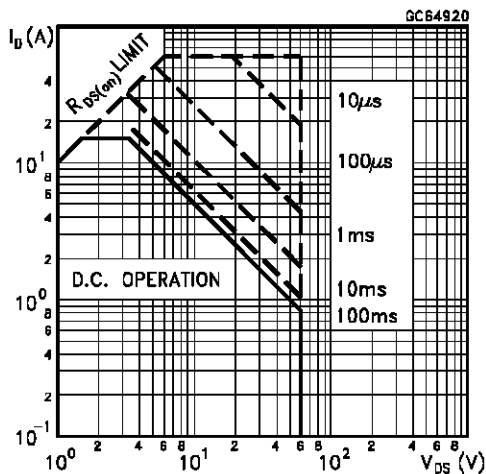
| Symbol | Parameter | Test Conditions | Min. | Typ. | Max. | Unit |
|----------------------------------|---|---|------|------------------|------------------|----------------|
| $t_r(V_{off})$ t_f t_c | Off-voltage Rise Time Fall Time Cross-over Time | $V_{DD} = 48\text{ V}$ $I_D = 15\text{ A}$ $R_{GS} = 47\ \Omega$ $V_{GS} = 10\text{ V}$ (see test circuit figure) | | 52 100 170 | 80 140 240 | ns ns ns |

SOURCE DRAIN DIODE

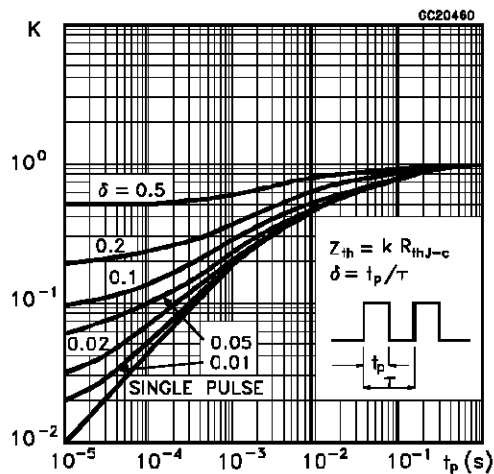
| Symbol | Parameter | Test Conditions | Min. | Typ. | Max. | Unit |
|-----------------------------------|--|---|------|-----------------|----------|--------------------|
| I_{SD} $I_{SDM}(\bullet)$ | Source-drain Current Source-drain Current (pulsed) | | | | 15 60 | A A |
| $V_{SD} (*)$ | Forward On Voltage | $I_{SD} = 15\text{ A}$ $V_{GS} = 0$ | | | 1.5 | V |
| t_{rr} Q_{rr} I_{RRM} | Reverse Recovery Time Reverse Recovery Charge Reverse Recovery Current | $I_{SD} = 15\text{ A}$ $di/dt = 100\text{ A}/\mu\text{s}$ $V_{DD} = 25\text{ V}$ $T_j = 150\text{ }^\circ\text{C}$ | | 60 0.14 5 | | ns μ C A |

(*) Pulsed: Pulse duration = 300 μ s, duty cycle 1.5 %
 (•) Pulse width limited by safe operating area

Safe Operating Area

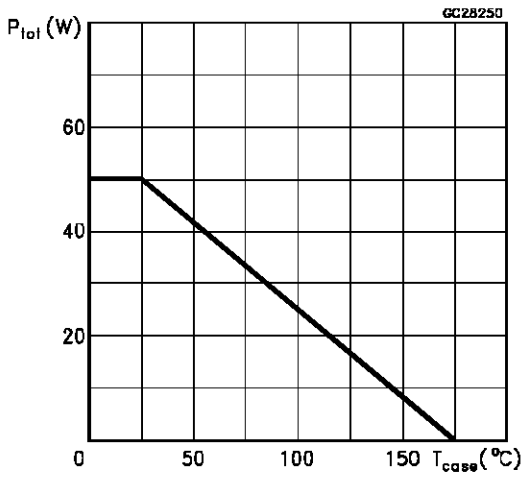


Thermal Impedance



STD15N06L

Derating Curve



Output Characteristics

Transfer Characteristics

Transconductance

Static Drain-source On Resistance

Gate Charge vs Gate-source Voltage

Capacitance Variations

Normalized Gate Threshold Voltage vs
Temperature

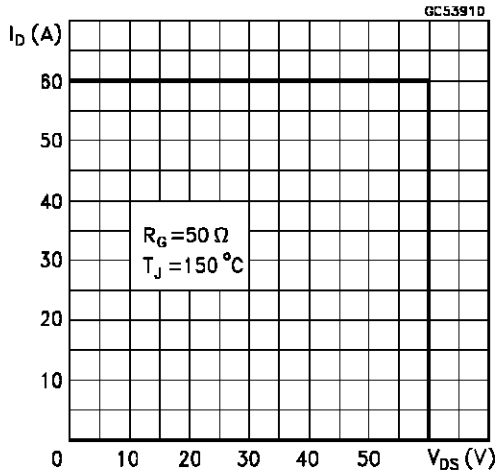
Normalized On Resistance vs Temperature

Turn-on Current Slope

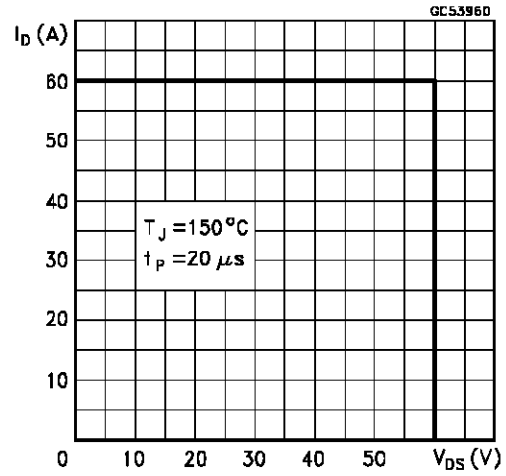
Turn-off Drain-source Voltage Slope

Cross-over Time

Switching Safe Operating Area



Accidental Overload Area



Source-drain Diode Forward Characteristics

Fig. 1: Unclamped Inductive Load Test Circuits

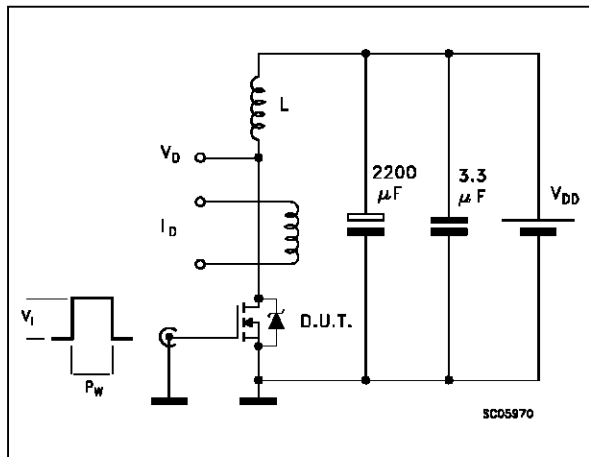


Fig. 2: Unclamped Inductive Waveforms

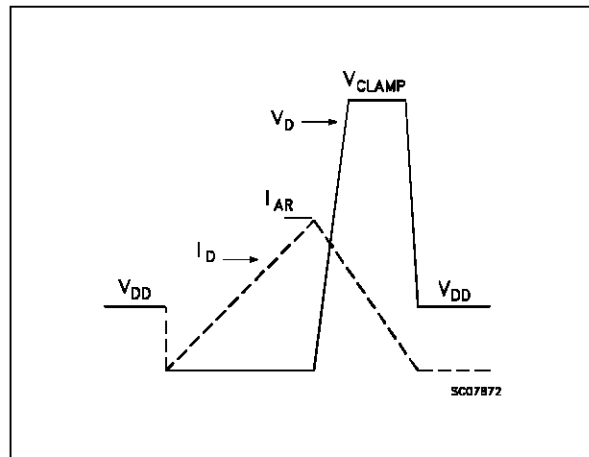


Fig. 3: Switching Times Test Circuits For Resistive Load

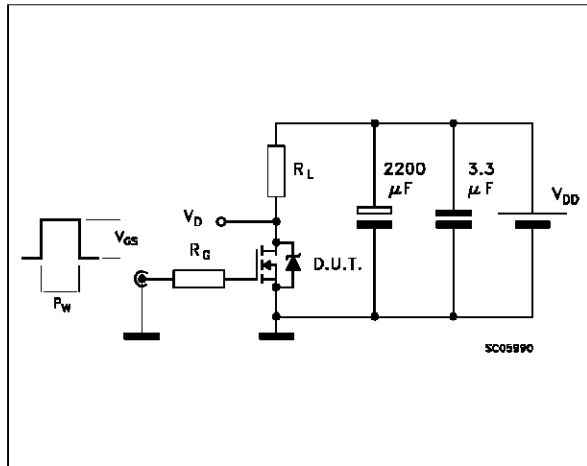


Fig. 4: Gate Charge Test Circuit

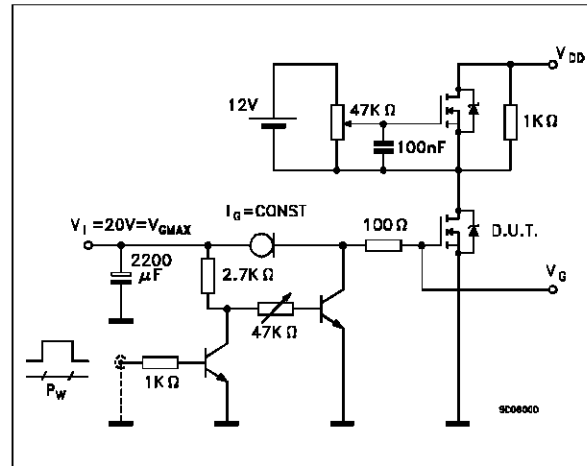
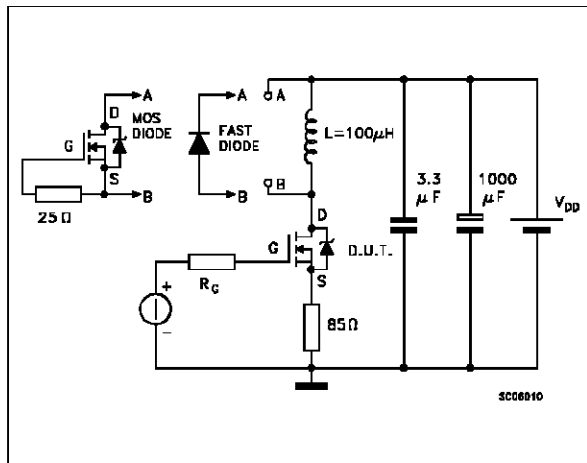
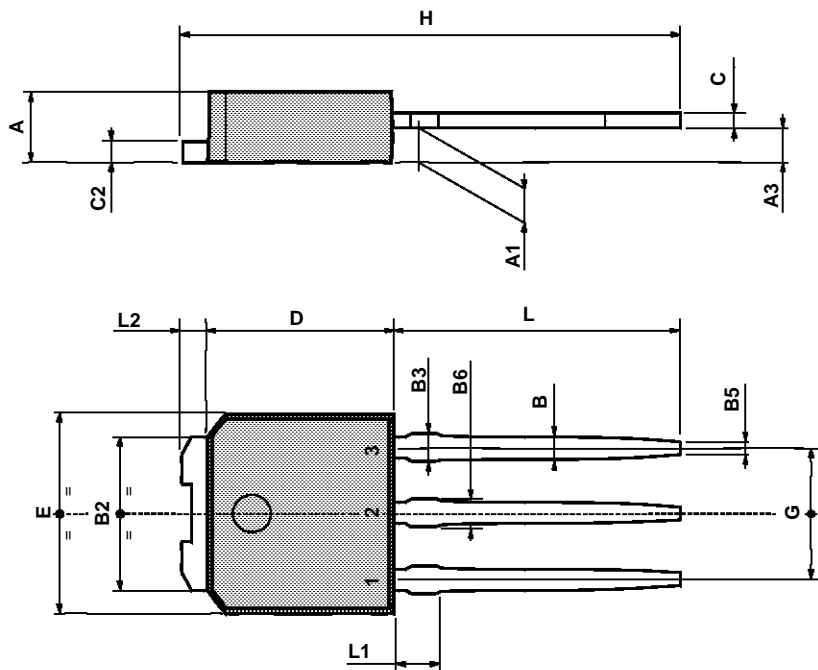


Fig. 5: Test Circuit For Inductive Load Switching And Diode Recovery Times



TO-251 (IPAK) MECHANICAL DATA

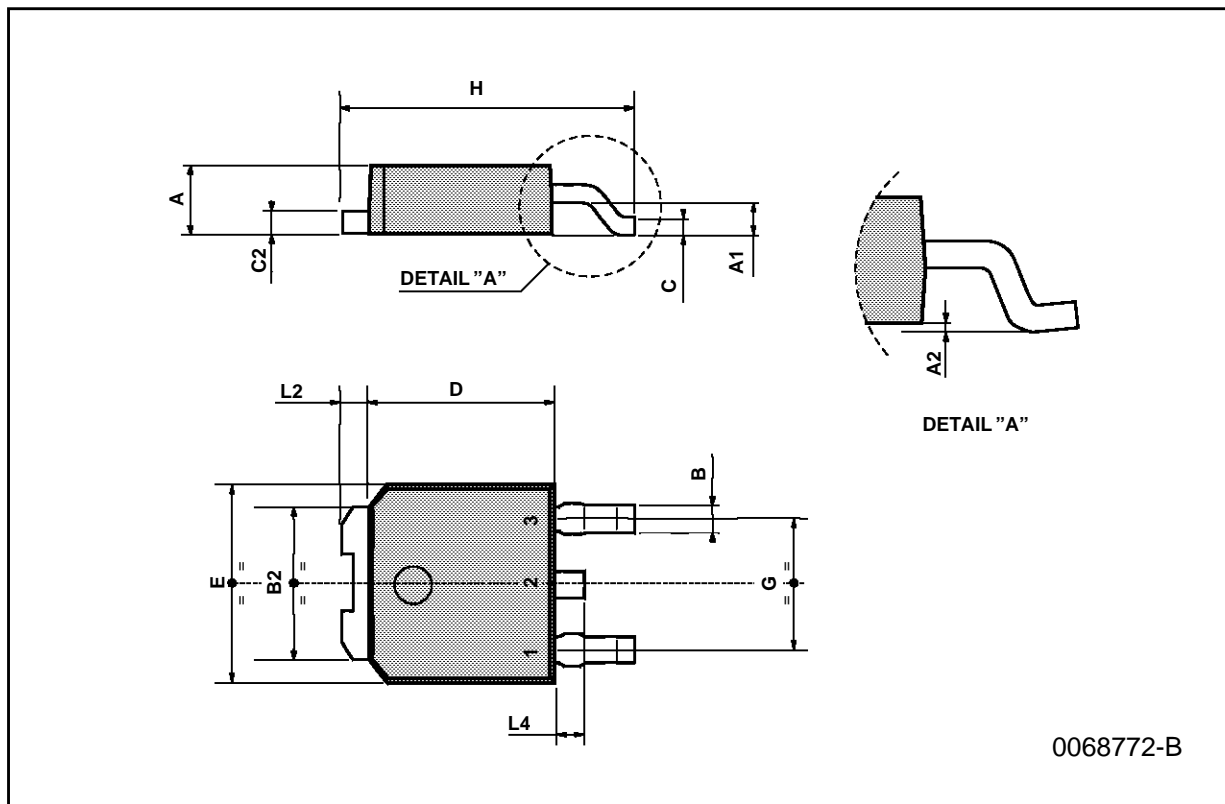
| DIM. | mm | | | inch | | |
|------|------|------|------|-------|-------|-------|
| | MIN. | TYP. | MAX. | MIN. | TYP. | MAX. |
| A | 2.2 | | 2.4 | 0.086 | | 0.094 |
| A1 | 0.9 | | 1.1 | 0.035 | | 0.043 |
| A3 | 0.7 | | 1.3 | 0.027 | | 0.051 |
| B | 0.64 | | 0.9 | 0.025 | | 0.031 |
| B2 | 5.2 | | 5.4 | 0.204 | | 0.212 |
| B3 | | | 0.85 | | | 0.033 |
| B5 | | 0.3 | | | 0.012 | |
| B6 | | | 0.95 | | | 0.037 |
| C | 0.45 | | 0.6 | 0.017 | | 0.023 |
| C2 | 0.48 | | 0.6 | 0.019 | | 0.023 |
| D | 6 | | 6.2 | 0.236 | | 0.244 |
| E | 6.4 | | 6.6 | 0.252 | | 0.260 |
| G | 4.4 | | 4.6 | 0.173 | | 0.181 |
| H | 15.9 | | 16.3 | 0.626 | | 0.641 |
| L | 9 | | 9.4 | 0.354 | | 0.370 |
| L1 | 0.8 | | 1.2 | 0.031 | | 0.047 |
| L2 | | 0.8 | 1 | | 0.031 | 0.039 |



0068771-E

TO-252 (DPAK) MECHANICAL DATA

| DIM. | mm | | | inch | | |
|------|------|------|------|-------|-------|-------|
| | MIN. | TYP. | MAX. | MIN. | TYP. | MAX. |
| A | 2.2 | | 2.4 | 0.086 | | 0.094 |
| A1 | 0.9 | | 1.1 | 0.035 | | 0.043 |
| A2 | 0.03 | | 0.23 | 0.001 | | 0.009 |
| B | 0.64 | | 0.9 | 0.025 | | 0.035 |
| B2 | 5.2 | | 5.4 | 0.204 | | 0.212 |
| C | 0.45 | | 0.6 | 0.017 | | 0.023 |
| C2 | 0.48 | | 0.6 | 0.019 | | 0.023 |
| D | 6 | | 6.2 | 0.236 | | 0.244 |
| E | 6.4 | | 6.6 | 0.252 | | 0.260 |
| G | 4.4 | | 4.6 | 0.173 | | 0.181 |
| H | 9.35 | | 10.1 | 0.368 | | 0.397 |
| L2 | | 0.8 | | | 0.031 | |
| L4 | 0.6 | | 1 | 0.023 | | 0.039 |



Information furnished is believed to be accurate and reliable. However, SGS-THOMSON Microelectronics assumes no responsibility for the consequences of use of such information nor for any infringement of patents or other rights of third parties which may result from its use. No license is granted by implication or otherwise under any patent or patent rights of SGS-THOMSON Microelectronics. Specifications mentioned in this publication are subject to change without notice. This publication supersedes and replaces all information previously supplied. SGS-THOMSON Microelectronics products are not authorized for use as critical components in life support devices or systems without express written approval of SGS-THOMSON Microelectronics.

© 1994 SGS-THOMSON Microelectronics - All Rights Reserved

SGS-THOMSON Microelectronics GROUP OF COMPANIES
Australia - Brazil - France - Germany - Hong Kong - Italy - Japan - Korea - Malaysia - Malta - Morocco - The Netherlands -
Singapore - Spain - Sweden - Switzerland - Taiwan - Thailand - United Kingdom - U.S.A