

NPN SILICON POWER TRANSISTORS

- SGS-THOMSON PREFERRED SALESTYPES
- LOW COLLECTOR-EMITTER SATURATION VOLTAGE
- FAST SWITCHING SPEED

APPLICATIONS

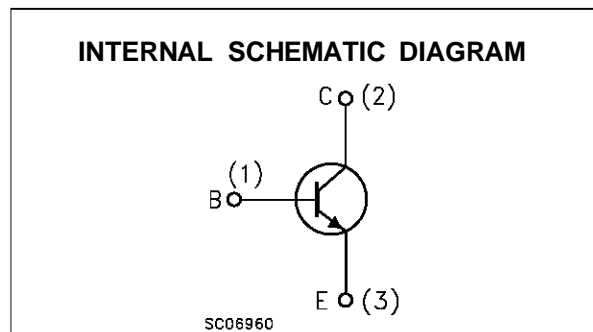
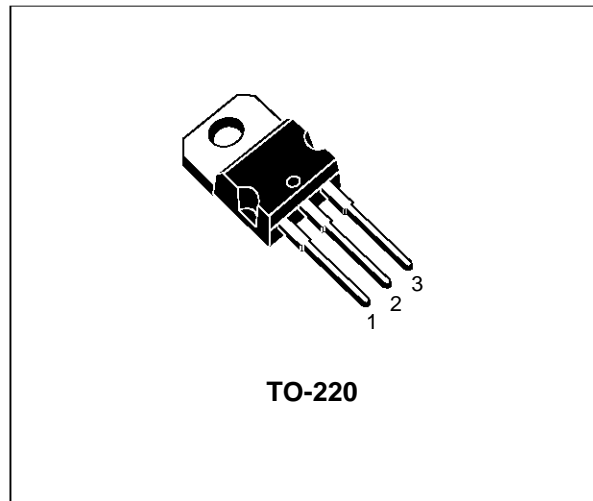
- GENERAL PURPOSE SWITCHING
- GENERAL PURPOSE AMPLIFIER

DESCRIPTION

The D44H8, and D44H11 are silicon multiepitaxial planar NPN transistors mounted in Jedec TO-220 plastic package.

They are intended for various switching and general purpose applications.

D44H8, D44H11 are complementary with D45H8, D45H11.



ABSOLUTE MAXIMUM RATINGS

Symbol	Parameter	Value		Unit
		D44H8	D44H11	
V_{CEO}	Collector-Emitter Voltage ($I_B = 0$)	60	80	V
V_{EBO}	Emitter-Base Voltage ($I_C = 0$)	5		V
I_C	Collector Current	10		A
I_{CM}	Collector Peak Current	20		A
P_{tot}	Total Dissipation at $T_c \leq 25^\circ\text{C}$	50		W
T_{stg}	Storage Temperature	-65 to 150		$^\circ\text{C}$
T_j	Max. Operating Junction Temperature	150		$^\circ\text{C}$

D44H8/D44H11

THERMAL DATA

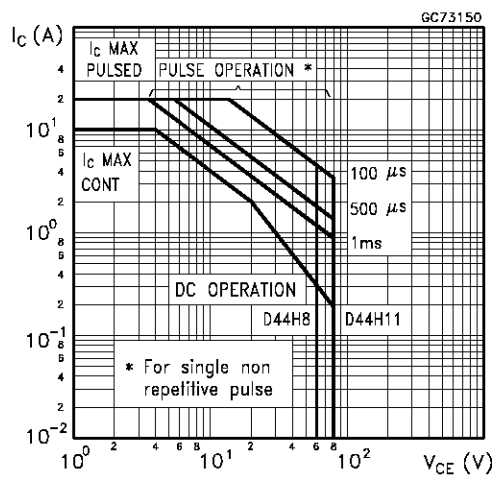
$R_{thj-case}$	Thermal Resistance Junction-case	Max	2.5	$^{\circ}C/W$
----------------	----------------------------------	-----	-----	---------------

ELECTRICAL CHARACTERISTICS ($T_{case} = 25^{\circ}C$ unless otherwise specified)

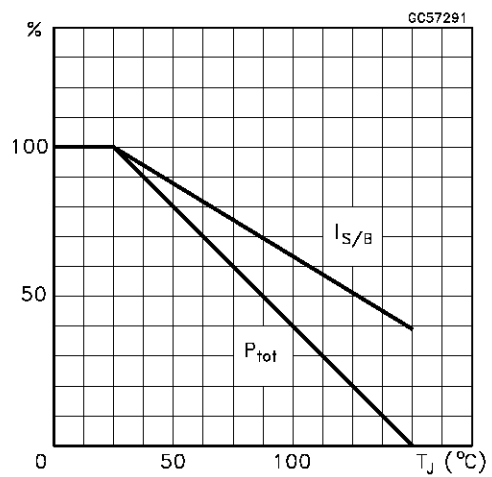
Symbol	Parameter	Test Conditions	Min.	Typ.	Max.	Unit
I_{CBO}	Collector Cut-off Current ($I_E = 0$)	$V_{CB} = \text{rated } V_{CEO}$			10	μA
I_{EBO}	Emitter Cut-off Current ($I_C = 0$)	$V_{EB} = 5V$			100	μA
$V_{CEO(sus)*}$	Collector-Emitter Sustaining Voltage	$I_C = 100 \text{ mA}$ for D44H8 for D44H11	60 80			V V
$V_{CE(sat)*}$	Collector-Emitter Saturation Voltage	$I_C = 8 \text{ A}$ $I_B = 0.4 \text{ A}$			1	V
$V_{BE(sat)*}$	Base-Emitter Saturation Voltage	$I_C = 8 \text{ A}$ $I_B = 0.8 \text{ A}$			1.5	V
h_{FE*}	DC Current Gain	$I_C = 2 \text{ A}$ $V_{CE} = 1 \text{ V}$ $I_C = 4 \text{ A}$ $V_{CE} = 1 \text{ V}$	60 40			

* Pulsed: Pulse duration = 300 μs , duty cycle $\leq 2\%$

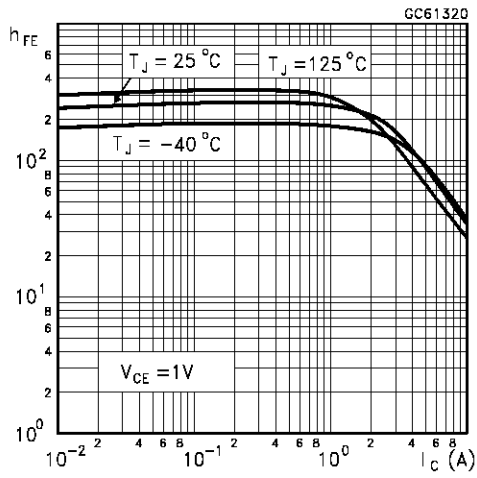
Safe Operating Area



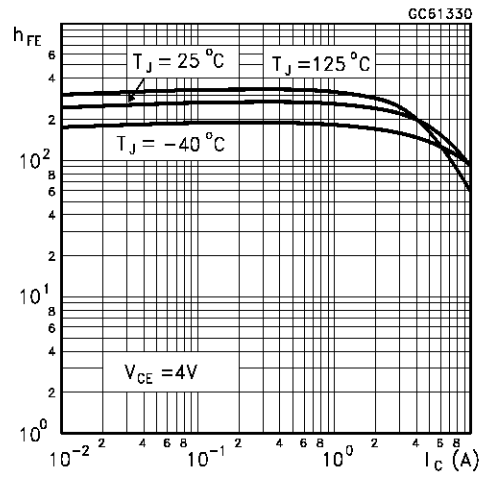
Derating Curves



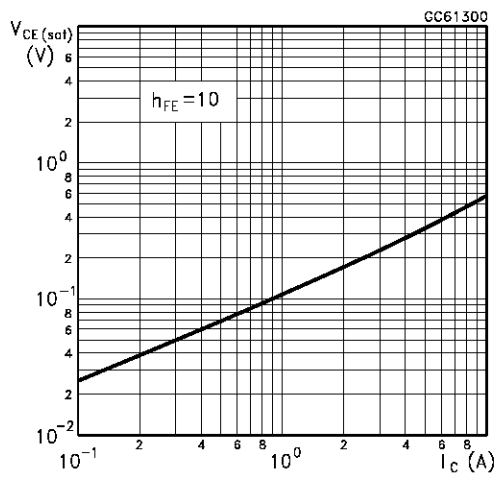
DC Current Gain



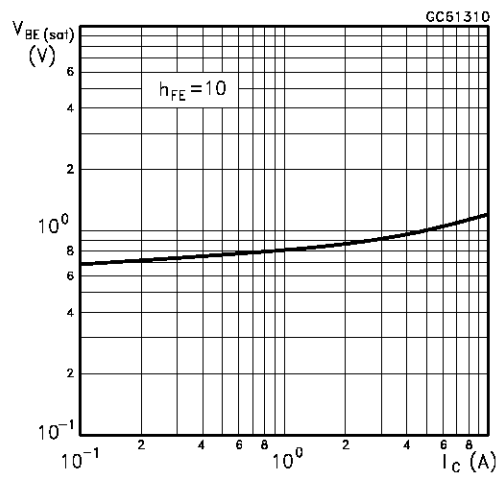
DC Current Gain



Collector-Emitter Saturation Voltage

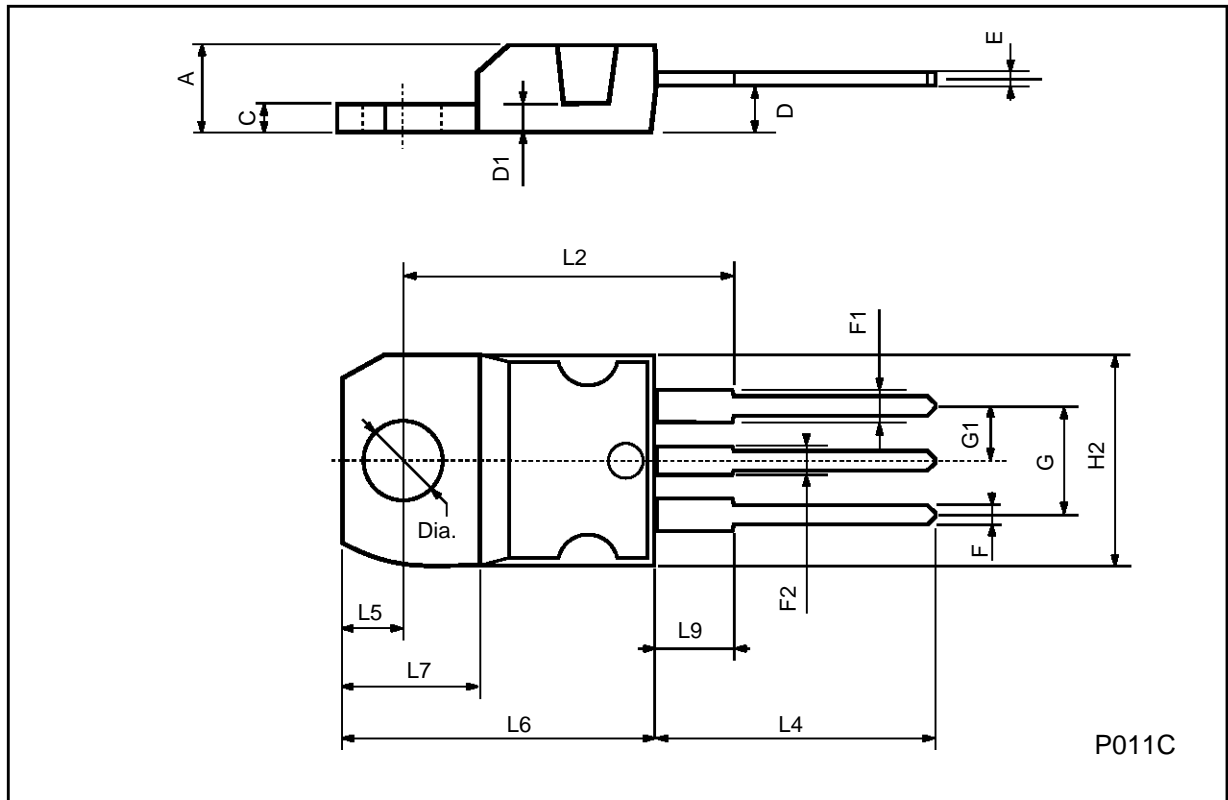


Base-Emitter Saturation Voltage



TO-220 MECHANICAL DATA

DIM.	mm			inch		
	MIN.	TYP.	MAX.	MIN.	TYP.	MAX.
A	4.40		4.60	0.173		0.181
C	1.23		1.32	0.048		0.051
D	2.40		2.72	0.094		0.107
D1		1.27			0.050	
E	0.49		0.70	0.019		0.027
F	0.61		0.88	0.024		0.034
F1	1.14		1.70	0.044		0.067
F2	1.14		1.70	0.044		0.067
G	4.95		5.15	0.194		0.203
G1	2.4		2.7	0.094		0.106
H2	10.0		10.40	0.393		0.409
L2		16.4			0.645	
L4	13.0		14.0	0.511		0.551
L5	2.65		2.95	0.104		0.116
L6	15.25		15.75	0.600		0.620
L7	6.2		6.6	0.244		0.260
L9	3.5		3.93	0.137		0.154
DIA.	3.75		3.85	0.147		0.151



Information furnished is believed to be accurate and reliable. However, SGS-THOMSON Microelectronics assumes no responsibility for the consequences of use of such information nor for any infringement of patents or other rights of third parties which may result from its use. No license is granted by implication or otherwise under any patent or patent rights of SGS-THOMSON Microelectronics. Specifications mentioned in this publication are subject to change without notice. This publication supersedes and replaces all information previously supplied. SGS-THOMSON Microelectronics products are not authorized for use as critical components in life support devices or systems without express written approval of SGS-THOMSON Microelectronics.

© 1997 SGS-THOMSON Microelectronics - Printed in Italy - All Rights Reserved

SGS-THOMSON Microelectronics GROUP OF COMPANIES
Australia - Brazil - Canada - China - France - Germany - Hong Kong - Italy - Japan - Korea - Malaysia - Malta - Morocco - The Netherlands -
Singapore - Spain - Sweden - Switzerland - Taiwan - Thailand - United Kingdom - U.S.A
...