



ST72411R

8-BIT MCU WITH SMARTCARD INTERFACE, LCD DRIVER, 8-BIT TIMER, SAFE RESET AND SUPPLY MONITORING

PRODUCT PREVIEW

■ Memories

- 4K Program memory (ROM/FLASH) with read-out protection
- In-Situ Programming (remote ISP) for FLASH devices using Smartcard or standard I/O lines
- 256-bytes RAM

■ Clock, Reset and Supply Management

- Power-on supply at Smartcard insertion
- Low supply voltage detection for battery monitoring
- Smart Card withdrawal detection
- On-chip main clock source
- 3 Power saving modes
- Clock-out capability for synchronous and asynchronous Smartcards

■ Smartcard Interface

- Smart Card Supply Supervisor with: 3V or 5V voltage regulator and current overload protection

■ 15 I/O Ports

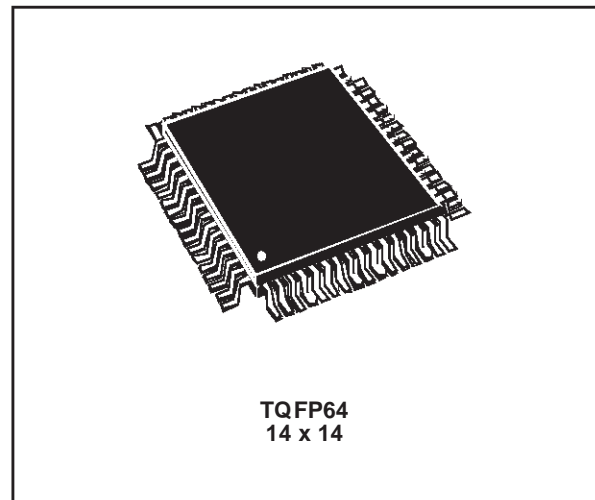
- 15 multifunctional bidirectional I/O lines with: external interrupt capability (2 vectors), 2 alternate function lines, 5 I/Os for ISO7816-3 Smartcard interface, 1 I/O for Smartcard withdrawal detection

■ Display Driver

- LCD driver with 32 segment outputs and 4 backplane outputs able to drive up to 32x4 LCD displays

■ Timer

- One 8-bit timer with: 9-bit prescaler, selectable input frequency with external clock input option and event output signal generation capability



■ Instruction Set

- 8-bit Data Manipulation
- 63 Basic Instructions
- 17 main Addressing Modes
- 8 x 8 Unsigned Multiply Instruction
- True Bit Manipulation

■ Development Tools

- Full hardware/software development package

Device Summary

Features	ST72411R
Program memory - bytes	4K
RAM (stack) - bytes	256 (64)
Peripherals	Smart Card supply interface, LCD Driver, 8-bit Timer
Operating Supply	4V to 6.6V (5.5V min. for 5V Smartcard power supply output)
CPU Frequency	3.58 MHz (7.16 MHz internal oscillator)
Temperature Range	0°C to +70°C
Packages	TQFP64 or Die Form
Development device	ST72C411R

Rev. 1.4

Table of Contents

1 GENERAL DESCRIPTION	4
1.1 INTRODUCTION	4
1.2 PIN DESCRIPTION	5
1.3 REGISTER & MEMORY MAP	8
1.4 FLASH PROGRAM MEMORY	10
1.4.1 Introduction	10
1.4.2 Main features	10
1.4.3 Structural organisation	10
1.4.4 In-Situ Programming (ISP) modes	10
1.5 PROGRAM MEMORY READ-OUT PROTECTION	11
2 CENTRAL PROCESSING UNIT	12
2.1 INTRODUCTION	12
2.2 MAIN FEATURES	12
2.3 CPU REGISTERS	12
3 SUPPLY, RESET AND CLOCK MANAGEMENT	15
3.1 LOW VOLTAGE DETECTOR AND SUPERVISOR (LVDS)	15
3.1.1 Low Voltage Detector	15
3.1.2 Open Power Supply Detection (OPSD)	15
3.1.3 Power Supply Supervisor (PSS)	15
3.2 RESET SEQUENCE MANAGER	18
3.3 MAIN CLOCK CONTROLLER SYSTEM (MCC)	21
4 INTERRUPTS	22
4.1 NON MASKABLE SOFTWARE INTERRUPT	22
4.2 EXTERNAL INTERRUPTS	22
4.3 PERIPHERAL INTERRUPTS	22
4.4 POWER SAVING MODES	25
4.4.1 Introduction	25
4.4.2 Slow Mode	25
4.4.3 Wait Mode	25
4.4.4 Halt Mode	26
5 ON-CHIP PERIPHERALS	27
5.1 I/O PORTS	27
5.1.1 Introduction	27
5.1.2 Functional Description	27
5.1.3 I/O Port Implementation	29
5.1.4 Register Description	30
5.2 MISCELLANEOUS REGISTER	32
5.2.1 I/O Port Interrupt Sensitivity Description	32
5.2.2 Slow mode and VDD Supply Monitoring	32
5.3 8-BIT TIMER (TIM8)	34
5.3.1 Introduction	34
5.3.2 Main Features	34
5.3.3 Counter/Prescaler Description	35
5.3.4 Functional description	36
5.3.5 Register Description	38

Table of Contents

5.4	32 X 4 LCD DRIVER	40
5.4.1	Introduction	40
5.4.2	Segment and Common signals	41
5.4.3	Reference Voltages	41
5.4.4	Display Example	41
5.4.5	Clock generation	43
5.4.6	Register Description	44
5.4.7	LCD RAM Description	44
5.5	SMARTCARD SUPPLY SUPERVISOR (SSS)	46
5.5.1	Introduction	46
5.5.2	Main Features	46
5.5.3	General description	46
5.5.4	Functional Description	47
5.5.5	Register Description	48
6	INSTRUCTION SET	50
6.1	ST7 ADDRESSING MODES	50
6.1.1	Inherent	51
6.1.2	Immediate	51
6.1.3	Direct	51
6.1.4	Indexed (No Offset, Short, Long)	51
6.1.5	Indirect (Short, Long)	51
6.1.6	Indirect Indexed (Short, Long)	52
6.1.7	Relative mode (Direct, Indirect)	52
6.2	INSTRUCTION GROUPS	53
7	ELECTRICAL CHARACTERISTICS	56
7.1	ABSOLUTE MAXIMUM RATINGS	56
7.2	RECOMMENDED OPERATING CONDITIONS	57
7.3	SUPPLY, RESET AND CLOCK CHARACTERISTICS	60
7.4	TIMING CHARACTERISTICS	60
7.5	MEMORY CHARACTERISTICS	61
7.5.1	RAM and Hardware Registers	61
7.5.2	FLASH Program Memory	61
7.6	LCD ELECTRICAL CHARACTERISTICS	61
7.7	SMARTCARD SUPPLY SUPERVISOR ELECTRICAL CHARACTERISTICS	62
8	DEVICE CONFIGURATION	64
8.1	OPTION BYTE	64
9	GENERAL INFORMATION	65
9.1	PACKAGE MECHANICAL DATA	65
9.2	ADAPTOR / SOCKET PROPOSAL	66
9.3	DEVELOPMENT TOOLS	67
9.4	ST7 APPLICATION NOTES	68
9.5	TO GET MORE INFORMATION	68
10	SUMMARY OF CHANGES	69
10.1	DEVICE CONFIGURATION AND ORDERING INFORMATION	70
10.1.1	Transfer Of Customer Code	70

1 GENERAL DESCRIPTION

1.1 INTRODUCTION

The ST72411R devices are members of the ST7 microcontroller family. They are designed for Smartcard reader applications.

All ST72411R family devices are based on a common industry-standard 8-bit core, featuring an enhanced instruction set.

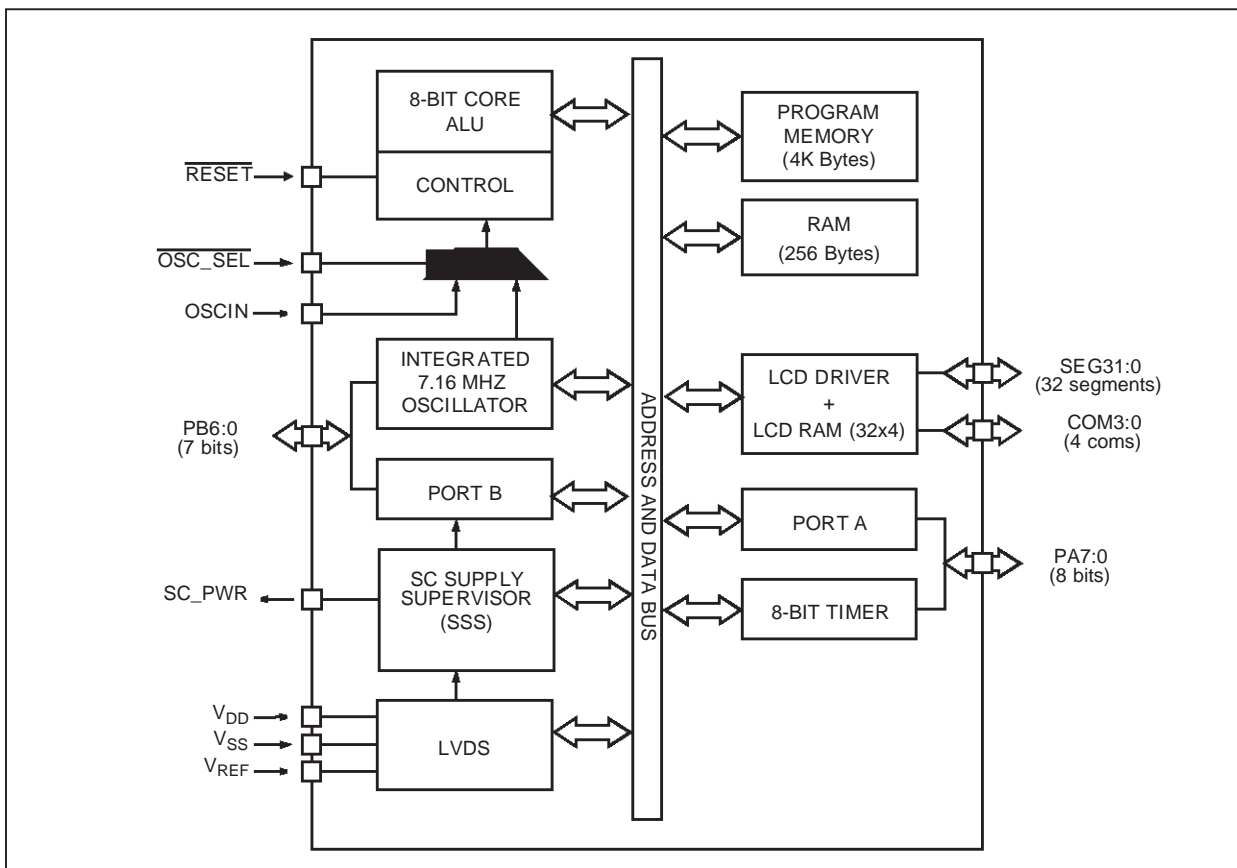
The ST72C411R devices feature single-voltage FLASH memory with byte-by-byte In-Situ Programming (ISP) capability.

Under software control, all devices can be placed in WAIT, SLOW, or HALT mode, reducing power

consumption when the application is in idle or standby state.

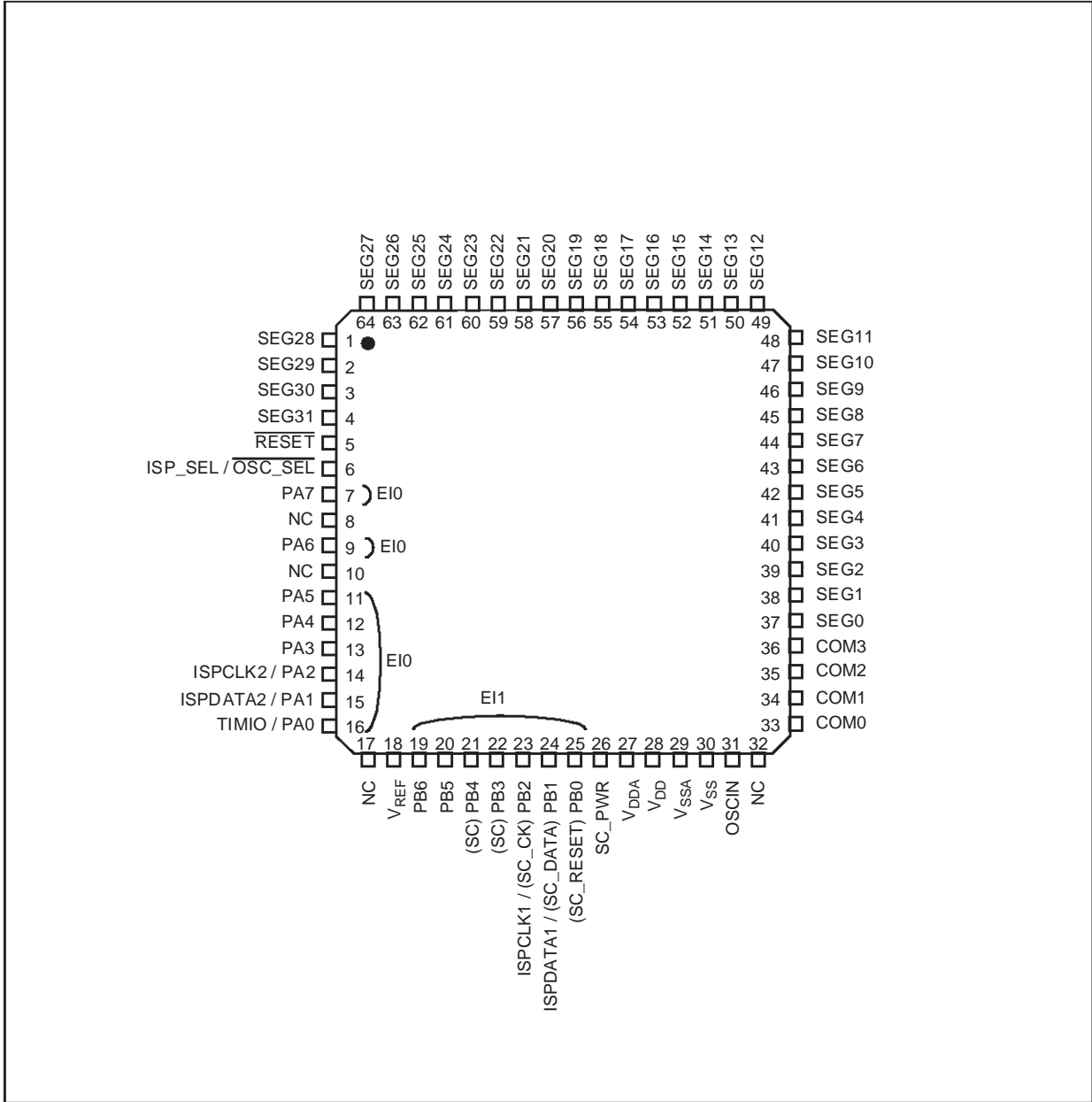
The enhanced instruction set and addressing modes of the ST7 offer both power and flexibility to software developers, enabling the design of highly efficient and compact application code. In addition to standard 8-bit data management, all ST7 microcontrollers feature true bit manipulation, 8x8 unsigned multiplication and indirect addressing modes.

Figure 1. Device Block Diagram



1.2 PIN DESCRIPTION

Figure 2. 64-Pin TQFP Package Pinout



PIN DESCRIPTION (Cont'd)

Legend / Abbreviations:

Type: I = input, O = output, S = supply

Output level: SC = powered by V_{SC_PWR} smartcard power, HS = high sink (on N-buffer only)

Input level: C = CMOS : $0.3V_{DD}/0.7V_{DD}$, SC = CMOS : $0.3V_{SC_PWR} / 0.7V_{SC_PWR}$

Port configuration capabilities:

- Input: float = floating, wpu = weak pull-up, int = interrupt, wpd = weak pull-down
- Output: OD = open drain, T = true open drain, PP = push-pull

Note: Reset configuration of each pin is bold.

Table 1. Device Pin Description

Pin n° TQFP64	Pin Name	Type	Level		Port						Main function (after reset)	Alternate function	
			Input	Output	Input				Output				
					float	wpu	int	wpd	OD	PP			
1 ... 4	S28 ... S31	O										LCD Segment outputs	
5	RESET	I/O										Top priority non maskable interrupt.	
6	OSC_SEL / ISP_SEL	I										This pin acts as the Remote ISP mode and oscillator selection.	
7	PA7	I/O	C		X	EI0			X	X		Port A7	
8	NC	Not Connected											
9	PA6	I/O	C		X	EI0			X	X		Port A6	
10	NC	Not Connected											
11	PA5	I/O	C		X	EI0			X	X		Port A5	
12	PA4	I/O	C		X	EI0			X	X		Port A4	
13	PA3	I/O	C		X	EI0			X	X		Port A3	
14	PA2 / ISPCLK2	I/O	C		X	EI0			X	X		Port A2	ISP Clock line 2
15	PA1 / ISPDATA2	I/O	C		X	EI0			X	X		Port A1	ISP Data line 2
16	PA0 / TIMIO	I/O	C		X	EI0			X	X		Port A0	8-bit Timer I/O
17	NC	Not Connected											
18	$V_{REF}^{1)}$	I										Analog input for battery power monitoring	
19	PB6	I/O	C		X		EI1		X	X		Port B6	
20	PB5	I/O	C		X	EI1			X	X		Port B5	
21	PB4(SC)	I/O	SC	SC	X	EI1			X	X		Port B4 (Smartcard)	
22	PB3(SC)	I/O	SC	SC	X	EI1			X	X		Port B3 (Smartcard)	
23	PB2(SC_CLK) / ISPCLK1	I/O	SC	SC	X	EI1			X	X		Port B2 (Smartcard clock)	ISP Clock line 1
24	PB1(SC_DATA) / ISPDATA1	I/O	SC	SC		X	EI1		X	X		Port B1 (Smartcard Data)	ISP Data line 1
25	PB0(SC)	I/O	SC	SC	X	EI1			X	X		Port B0 (Smartcard)	
26	SC_PWR	O										Smartcard Regulated Supply Output	
27	V_{DDA}	S										Analog Power Supply Voltage	
28	V_{DD}	S										Digital Main Supply Voltage	

Pin n°	Pin Name	Type	Level		Port						Main function (after reset)	Alternate function	
			Input	Output	Input				Output				
					float	wpu	int	wpd	OD	PP			
29	V _{SSA}	S										Analog Ground Voltage	
30	V _{SS}	S										Digital Ground Voltage	
31	OSCIN	I										External main clock source	
32	NC	Not Connected											
33 ... 36	COM0 ... COM3	O										LCD Common outputs	
37 ... 64	SEG0 ... SEG27	O										LCD Segment outputs	

Note:

1) There is no protection diode referenced to V_{DD} on the V_{REF} pad. If the microcontroller is not powered-on at the main V_{DD} supply, it is possible to have no power consumption (other than leakage currents - see electrical parameters), while applying power to V_{REF}.

1.3 REGISTER & MEMORY MAP

As shown in Figure 3, the MCU is capable of addressing 64K bytes of memories and I/O registers.

The available memory locations consist of 64 bytes of register locations, up to 256 bytes of RAM, 16 bytes of LCD RAM and 4Kbytes of user

program memory. The RAM space includes up to 64 bytes for the stack from 0100h to 013Fh.

The highest address bytes contain the user reset and interrupt vectors.

Figure 3. Memory Map

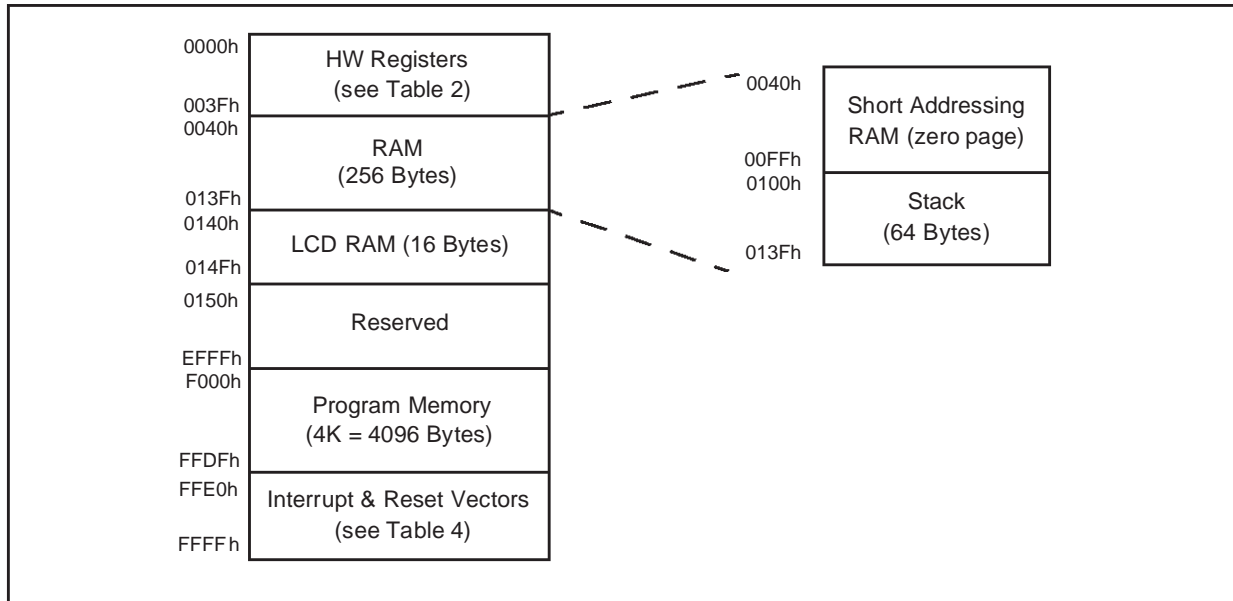


Table 2. Hardware Register Map

Address	Block	Register Label	Register Name	Reset Status	Remarks
0000h 0001h 0002h	Port A	PADR PADDR PAOR	Port A Data Register Port A Data Direction Register Port A Option Register	00h 00h 00h	R/W R/W R/W
0003h	Reserved Area (1 Byte)				
0004h 0005h 0006h	Port B	PBDR PBDDR PBOR	Port B Data Register Port B Data Direction Register Port B Option Register	00h 00h 00h	R/W R/W R/W
0007h to 001Fh	Reserved Area (25 Bytes)				
0020h		MISCR	Miscellaneous Register	x0h	R/W
0021h 0022h 0023h	Reserved Area (3 Bytes)				
0024h	LCD	LCDCR	LCD Control Register	00h	R/W
0025h	SSS	SSSCR	Smartcard Supply Supervisor Control Status Register	00h	R/W
0026h to 0030h	Reserved Area (11 Bytes)				
0031h 0032h 0033h	TIMER	PSCR TCR TSCR	Timer Prescaler register Timer Counter Register Timer Status Register	FFh FFh 50h	Read Only R/W R/W
0034h to 003Fh	Reserved Area (12 Bytes)				

1.4 FLASH PROGRAM MEMORY

1.4.1 Introduction

Flash devices have a single voltage non-volatile FLASH memory that may be programmed in-situ (or plugged in a programming tool) on a byte-by-byte basis.

1.4.2 Main features

- Remote In-Situ Programming (ISP) mode
- Up to 16 bytes programmed in the same cycle
- MTP memory (Multiple Time Programmable)
- Read-out memory protection against piracy

1.4.3 Structural organisation

The FLASH program memory is organised in a single 8-bit wide memory block which can be used for storing both code and data constants.

The FLASH program memory is mapped in the upper part of the ST7 addressing space (F000h-FFFFh) and includes the reset and interrupt user vector area.

1.4.4 In-Situ Programming (ISP) modes

The FLASH program memory can be programmed using two Remote ISP modes. These ISP modes allow the contents of the ST7 program memory to be updated using a standard ST7 programming tool after the device is mounted on the application board. This feature can be implemented with a minimum number of added components and board area impact.

Examples of Remote ISP hardware interfaces to the standard ST7 programming tool are described below. For more details on ISP programming, refer to the ST7 Programming Specification.

Remote ISP Overview

The Remote ISP modes are initiated by a specific sequence on the dedicated ISPSEL pin.

The Remote ISP is performed in three steps:

- Selection of the RAM execution mode
- Download of Remote ISP code in RAM
- Execution of Remote ISP code in RAM to program the user program into the FLASH

Remote ISP hardware configuration

Remote ISP mode works using either the internal oscillator (no external clock is necessary), or an external square wave clock. The selection of the oscillator (internal or external) depends on the ISP_SEL pin during the rising edge of RESET pin

(see “MAIN CLOCK CONTROLLER SYSTEM (MCC)” on page 21).

Two ISP modes exist:

- ISP1: ISP signals mapped on smartcard I/O pins
- ISP2: ISP signal mapped on general purpose I/O pins

ISP1 Mode

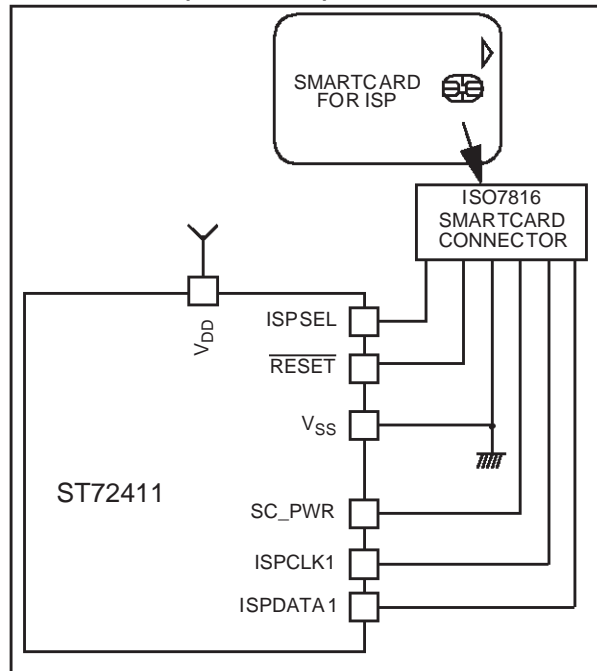
In ISP1 mode, it is possible to re-program the microcontroller using a ISO7816 smartcard connector as shown in Figure 3.

This mode requires five signals (plus the SC_PWR signal if necessary) to be connected to the programming tool. These signals are:

- RESET: device reset
- V_{SS}: device ground power supply
- ISPCLK1: ISP output serial clock pin
- ISPDATA1: ISP input serial data pin
- ISPSEL: Remote ISP mode selection. This pin has an internal pulldown and must be left high impedance if the internal oscillator is selected. Otherwise an appropriate pull-up is needed (see Electrical Characteristics).

Note: The RESET and ISPSEL pins are not part of the ISO7816 interface. Consequently, two additional contacts on the smartcard connector are necessary.

Table 3. ISP1 (Smartcard) interface



FLASH PROGRAM MEMORY (Cont'd)

ISP2 Mode

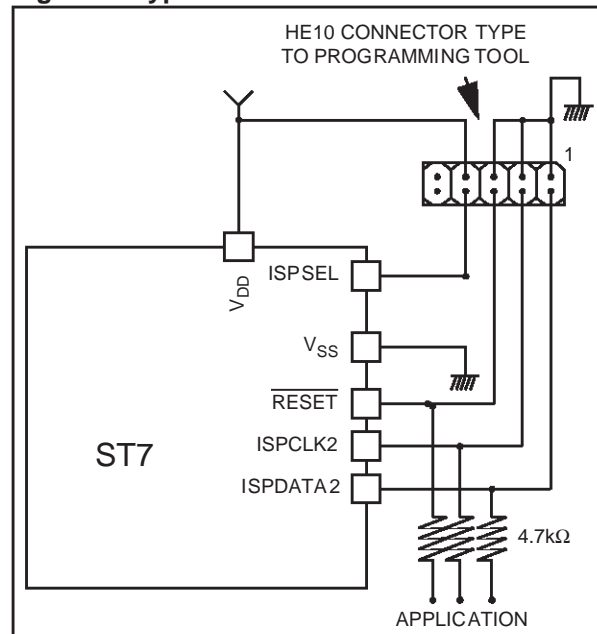
This mode requires five signals (plus the V_{DD} signal if necessary) to be connected to the programming tool. These signals are:

- $\overline{\text{RESET}}$: device reset
- V_{SS} : device ground power supply
- ISPCLK2: ISP output serial clock pin
- ISPDATA2: ISP input serial data pin
- ISPSEL: Remote ISP mode selection. This pin must be left high impedance (internal pull down on pin ISPSEL) if the internal oscillator is selected. Otherwise an appropriate pull-up is needed (see Electrical Characteristics).

If any of these pins are used for other purposes on the application, a serial resistor has to be implemented to avoid a conflict if the other device forces the signal level.

Figure 4 shows a typical hardware interface to a standard ST7 programming tool. For more details on the pin locations, refer to the device pinout description.

Figure 4. Typical Remote ISP2 Interface



1.5 Program Memory Read-out Protection

The read-out protection is enabled through an option bit.

For FLASH devices, when this option is selected, the program and data stored in the FLASH memory are protected against read-out piracy (including a re-write protection). When this protection option is removed the entire FLASH program memory is automatically erased.

2 CENTRAL PROCESSING UNIT

2.1 INTRODUCTION

This CPU has a full 8-bit architecture and contains six internal registers allowing efficient 8-bit data manipulation.

2.2 MAIN FEATURES

- 63 basic instructions
- Fast 8-bit by 8-bit multiply
- 17 main addressing modes
- Two 8-bit index registers
- 16-bit stack pointer
- Low power modes
- Maskable hardware interrupts
- Non-maskable software interrupt

2.3 CPU REGISTERS

The 6 CPU registers shown in Figure 13 are not present in the memory mapping and are accessed by specific instructions.

Accumulator (A)

The Accumulator is an 8-bit general purpose register used to hold operands and the results of the arithmetic and logic calculations and to manipulate data.

Index Registers (X and Y)

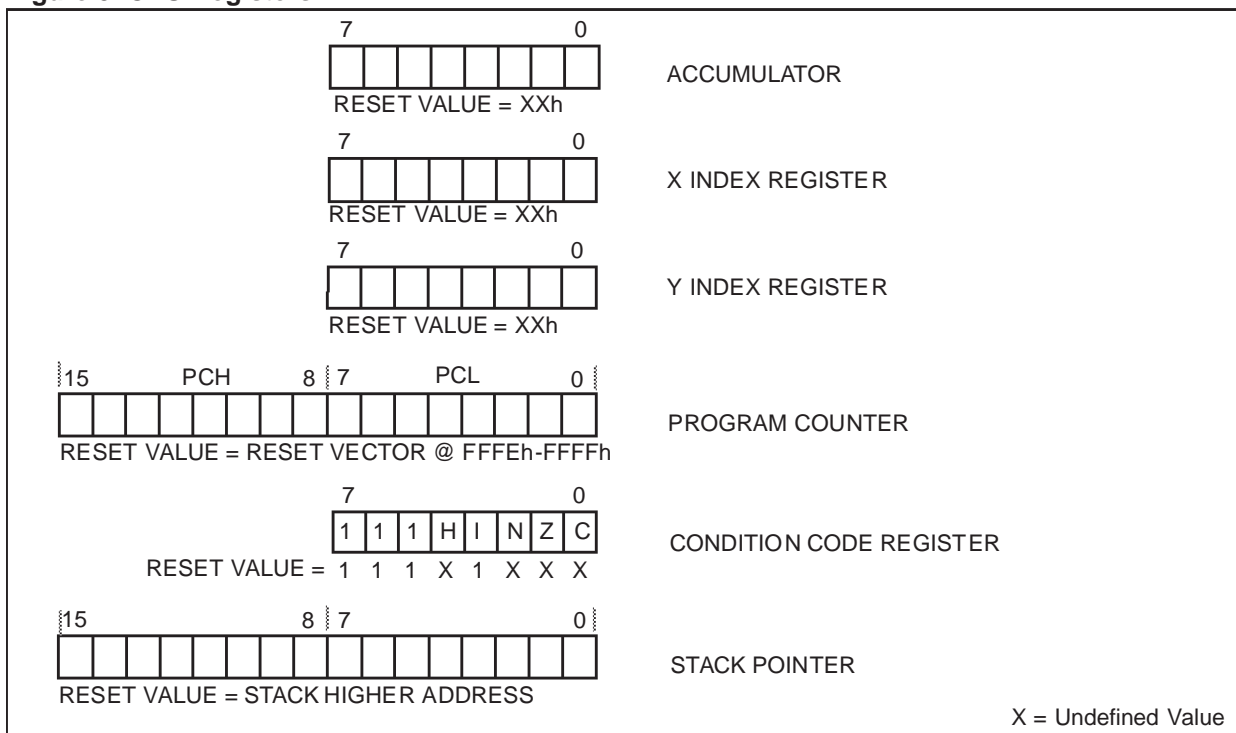
In indexed addressing modes, these 8-bit registers are used to create either effective addresses or temporary storage areas for data manipulation. (The Cross-Assembler generates a precede instruction (PRE) to indicate that the following instruction refers to the Y register.)

The Y register is not affected by the interrupt automatic procedures (not pushed to and popped from the stack).

Program Counter (PC)

The program counter is a 16-bit register containing the address of the next instruction to be executed by the CPU. It is made of two 8-bit registers PCL (Program Counter Low which is the LSB) and PCH (Program Counter High which is the MSB).

Figure 5. CPU Registers



CPU REGISTERS (Cont'd)**CONDITION CODE REGISTER (CC)**

Read/Write

Reset Value: 111x1xxx

7							0
1	1	1	H	I	N	Z	C

The 8-bit Condition Code register contains the interrupt mask and four flags representative of the result of the instruction just executed. This register can also be handled by the PUSH and POP instructions.

These bits can be individually tested and/or controlled by specific instructions.

Bit 4 = H Half carry.

This bit is set by hardware when a carry occurs between bits 3 and 4 of the ALU during an ADD or ADC instruction. It is reset by hardware during the same instructions.

0: No half carry has occurred.

1: A half carry has occurred.

This bit is tested using the JRH or JRNH instruction. The H bit is useful in BCD arithmetic subroutines.

Bit 3 = I Interrupt mask.

This bit is set by hardware when entering in interrupt or by software to disable all interrupts except the TRAP software interrupt. This bit is cleared by software.

0: Interrupts are enabled.

1: Interrupts are disabled.

This bit is controlled by the RIM, SIM and IRET instructions and is tested by the JRM and JRNM instructions.

Note: Interrupts requested while I is set are latched and can be processed when I is cleared. By default an interrupt routine is not interruptable because the I bit is set by hardware when you en-

ter it and reset by the IRET instruction at the end of the interrupt routine. If the I bit is cleared by software in the interrupt routine, pending interrupts are serviced regardless of the priority level of the current interrupt routine.

Bit 2 = N Negative.

This bit is set and cleared by hardware. It is representative of the result sign of the last arithmetic, logical or data manipulation. It is a copy of the 7th bit of the result.

0: The result of the last operation is positive or null.

1: The result of the last operation is negative (i.e. the most significant bit is a logic 1).

This bit is accessed by the JRMI and JRPL instructions.

Bit 1 = Z Zero.

This bit is set and cleared by hardware. This bit indicates that the result of the last arithmetic, logical or data manipulation is zero.

0: The result of the last operation is different from zero.

1: The result of the last operation is zero.

This bit is accessed by the JREQ and JRNE test instructions.

Bit 0 = C Carry/borrow.

This bit is set and cleared by hardware and software. It indicates an overflow or an underflow has occurred during the last arithmetic operation.

0: No overflow or underflow has occurred.

1: An overflow or underflow has occurred.

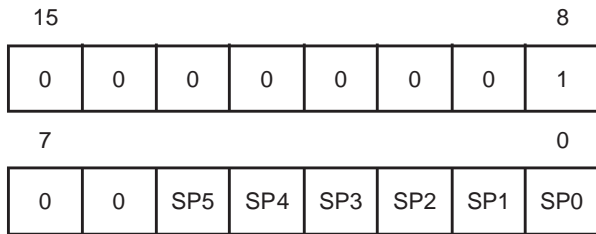
This bit is driven by the SCF and RCF instructions and tested by the JRC and JRNC instructions. It is also affected by the "bit test and branch", shift and rotate instructions.

CENTRAL PROCESSING UNIT (Cont'd)

STACK POINTER (SP)

Read/Write

Reset Value: 013Fh



The Stack Pointer is a 16-bit register which is always pointing to the next free location in the stack. It is then decremented after data has been pushed onto the stack and incremented before data is popped from the stack (see Figure 6).

Since the stack is 64 bytes deep, the 10 most significant bits are forced by hardware. Following an MCU Reset, or after a Reset Stack Pointer instruction (RSP), the Stack Pointer contains its reset value (the SP5 to SP0 bits are set) which is the stack higher address.

The least significant byte of the Stack Pointer (called S) can be directly accessed by a LD instruction.

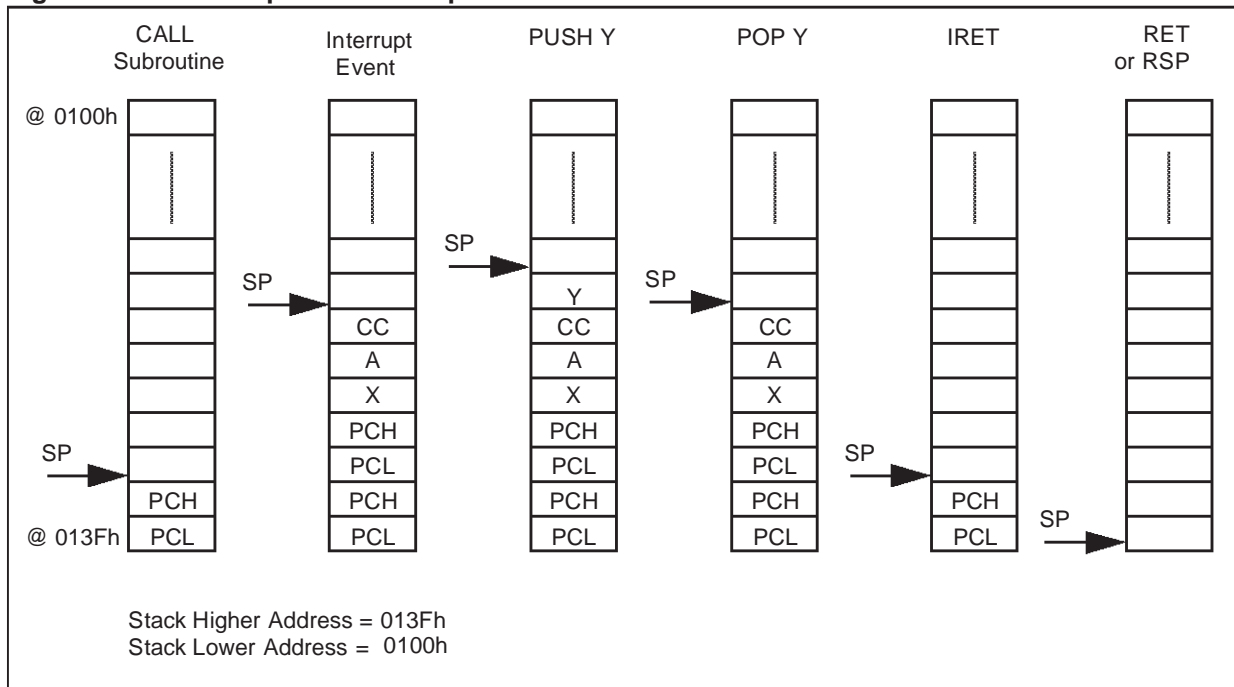
Note: When the lower limit is exceeded, the Stack Pointer wraps around to the stack upper limit, without indicating the stack overflow. The previously stored information is then overwritten and therefore lost. The stack also wraps in case of an underflow.

The stack is used to save the return address during a subroutine call and the CPU context during an interrupt. The user may also directly manipulate the stack by means of the PUSH and POP instructions. In the case of an interrupt, the PCL is stored at the first location pointed to by the SP. Then the other registers are stored in the next locations as shown in Figure 6.

- When an interrupt is received, the SP is decremented and the context is pushed on the stack.
- On return from interrupt, the SP is incremented and the context is popped from the stack.

A subroutine call occupies two locations and an interrupt five locations in the stack area.

Figure 6. Stack Manipulation Example



3 SUPPLY, RESET AND CLOCK MANAGEMENT

The ST72411 microcontroller includes a range of utility features for securing the application in critical situations (for example in case of a power brown-out), and reducing the number of external components.

Main Features

- V_{DD} Low Voltage Detection and Supervisor (LVDS)
- Reset Sequence Manager
- Main Clock Controller System (MCC)

3.1 LOW VOLTAGE DETECTOR AND SUPERVISOR (LVDS)

The LVDS consists of three main blocks:

- Low Voltage Detector (LVD)
- Open Power Supply Detection (OPSD)
- Power Supply Supervisor (PSS)

If the internal oscillator is selected (OSC_SEL pin is tied to V_{SS}), the LVDS, OPSD and PSS functions are always enabled.

If an external clock is selected (OSC_SEL tied to V_{DD}), the LVDS, OPSD and PSS are disabled while the external RESET is low and during the first 260 clock cycles (f_{CPU}). They become enabled after this period. Refer to Figure 13. This means an external reset circuit must be provided. However, after this period the LVDS may generate a reset if a power voltage drop occurs.

3.1.1 Low Voltage Detector

To allow the integration of power management features in the application, the Low Voltage Detector function (LVD) generates a static reset when the V_{DD} supply voltage is below a V_{IT+} reference value (positive-going input threshold voltage). This means that it secures the power-up as well as the power-down by keeping the ST7 in reset state.

The V_{IT-} reference value (negative-going input threshold voltage) for a voltage drop is lower than the V_{IT+} reference value for power-on in order to avoid a parasitic reset when the MCU starts running and sinks current on the supply (hysteresis).

The LVD Reset circuitry generates a reset when V_{DD} is below:

- V_{IT+} when V_{DD} is rising
- V_{IT-} when V_{DD} is falling

The LVD function is illustrated in Figure 7.

Provided the minimum V_{DD} value (guaranteed for the oscillator frequency) is below V_{IT-} , the MCU can only be in one of two modes:

- Under full software control
- In static safe reset

In this condition, secure operation is always ensured for the application without the need for external reset hardware.

The LVD filters spikes on V_{DD} larger than $t_g(V_{DD})$ to avoid parasitic resets.

3.1.2 Open Power Supply Detection (OPSD)

The purpose of the Open Power Supply Detection function is to detect if the V_{DD} power circuit is open.

It detects if the microcontroller is about to be powered down, to allow software to shutdown the application properly before the Power Down Reset generate by the LVDS.

The system is based on a comparison between V_{REF} and V_{DD} . V_{REF} is an analog input which is intended to be directly connected to the power source (see Figure 8).

The detection is not dependent on the MCU consumption (not dependent on the voltage drop due to the internal resistor of the power source).

To avoid spurious setting of the Power Down Flag due to possible noise (PDF bit in the MISCR register), a margin M is factored into the comparison. The detection is done if:

$$(V_{REF} - V_{DD}) > M$$

The PDF flag can be used to monitor the main supply supervisor function as shown in Figure 9.

When $(V_{REF} - V_{DD}) > M$, the PDF flag is set and an interrupt is generated if the PDIE bit in the MISCR register is set. This feature allows the user program to detect and manage the V_{DD} drop according to the application before the reset generated by the LVDS (See Figure 9).

See the Miscellaneous register chapter for more details on the PDF and PDIE bits.

3.1.3 Power Supply Supervisor (PSS)

The Power Supply Supervisor function compares the Power Supply to a fixed analog reference voltage (V_{PSS}) (see Figure 10). The output of this comparator is directly connected to the PSSF bit in the MISCR register (read only bit).

This feature can be used to monitor the power supply.

LOW VOLTAGE DETECTOR AND SUPERVISOR (Cont'd)

Figure 7. Low Voltage Detector vs Reset

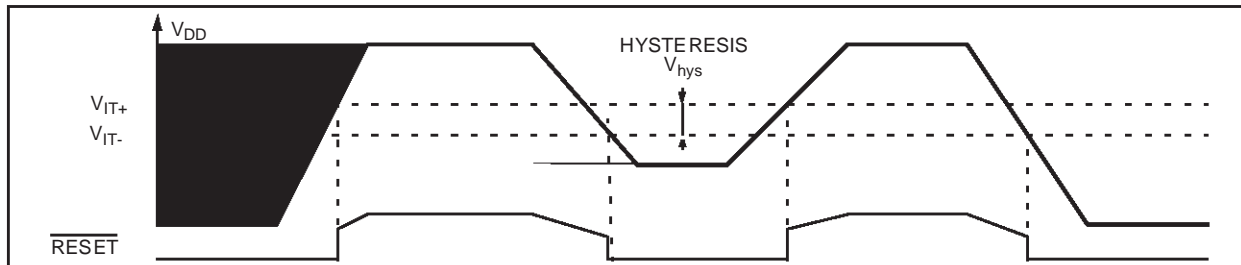
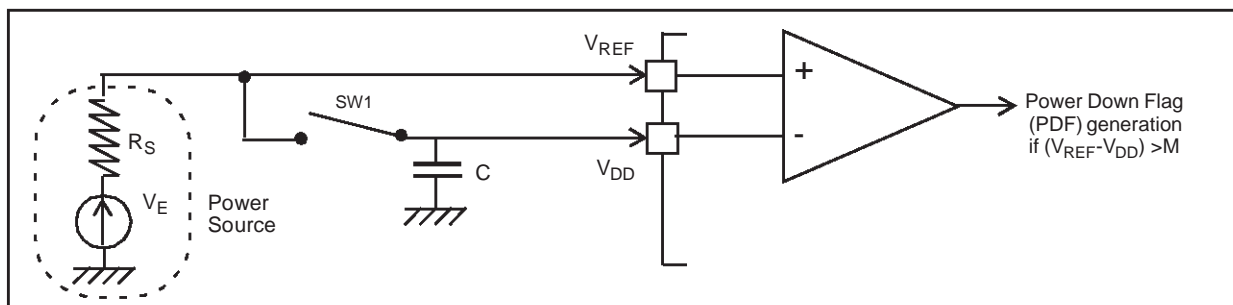


Figure 8. Open Power Supply Detection: V_{REF} Connections



LOW VOLTAGE DETECTOR AND SUPERVISOR (Cont'd)

Figure 9. Open Power Supply Detection (OPSD)

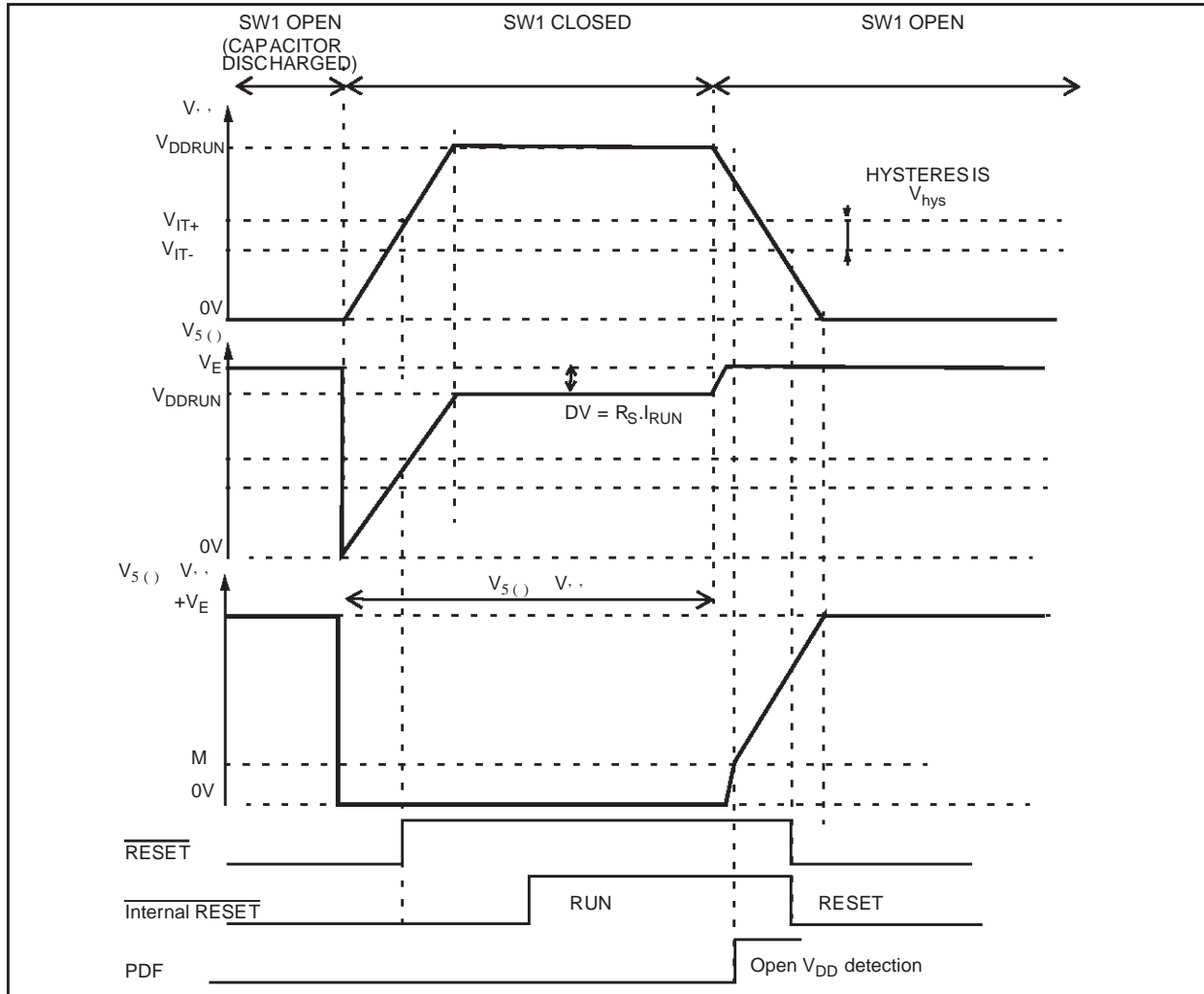


Figure 10. Power Supply Supervisor system (PSS)

3.2 RESET SEQUENCE MANAGER

The RESET sequence manager includes two reset sources as shown in Figure 11:

- External RESET source pulse
- Internal LVDS RESET (Low Voltage Detection)

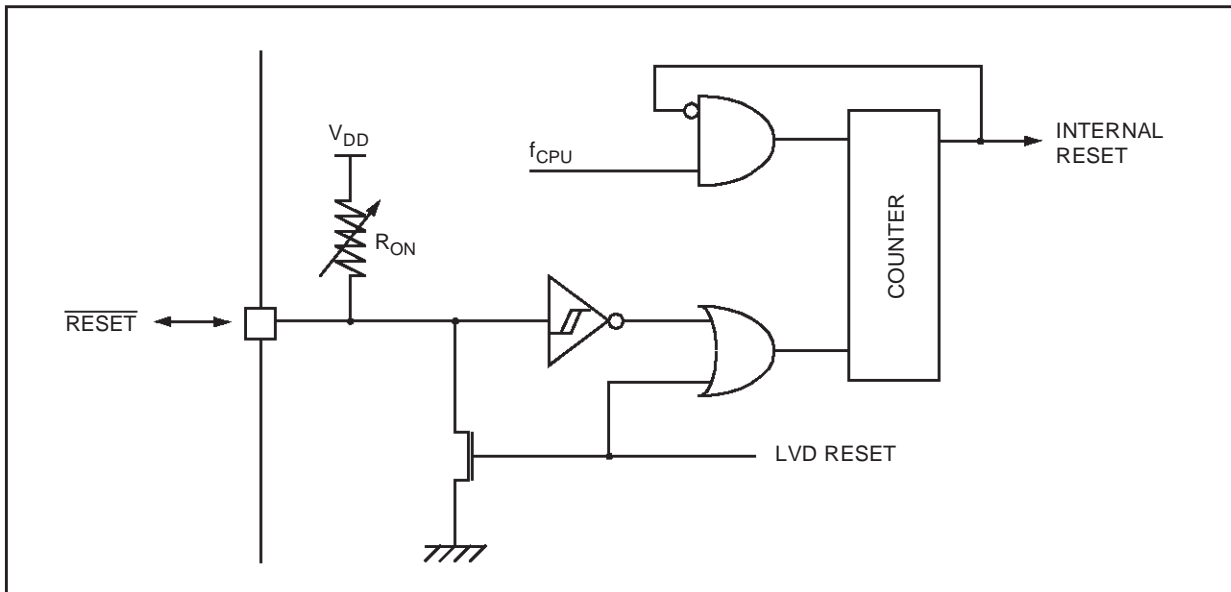
These sources act on the RESET PIN and it is always kept low during the delay phase.

The RESET service routine vector is fixed at addresses FFFEh-FFFFh in the ST7 memory map.

A 4096 CPU clock cycle delay allows the oscillator to stabilise and to ensure that recovery has taken place from the Reset state.

The RESET vector fetch phase duration is 2 clock cycles.

Figure 11. Reset Block Diagram



RESET MANAGER (Cont'd)

([WUQDO5 (6 (7 SIQ

The $\overline{\text{RESET}}$ pin is both an input and an open-drain output with integrated R_{ON} weak pull-up resistor (see Figure 11). This pull-up has no fixed value but varies in accordance with the input voltage. It can be pulled low by external circuitry to reset the device.

A RESET signal coming from an external source must have a duration of at least t_{PULSE} in order to be recognized. Two RESET sequences can be associated with this RESET source as shown in Figure 12.

When the RESET is generated by an internal source, during the two first phases of the RESET sequence, the device $\overline{\text{RESET}}$ pin acts as an output that is pulled low.

Figure 12. External RESET Sequence with internal Clock Selected (OSC_SEL pin tied to V_{SS})

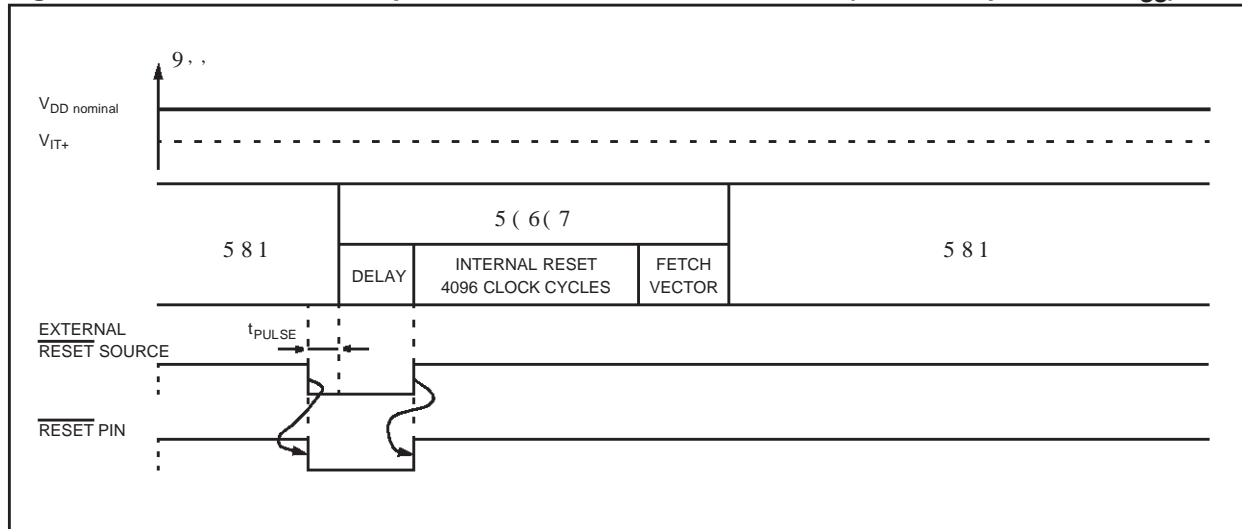
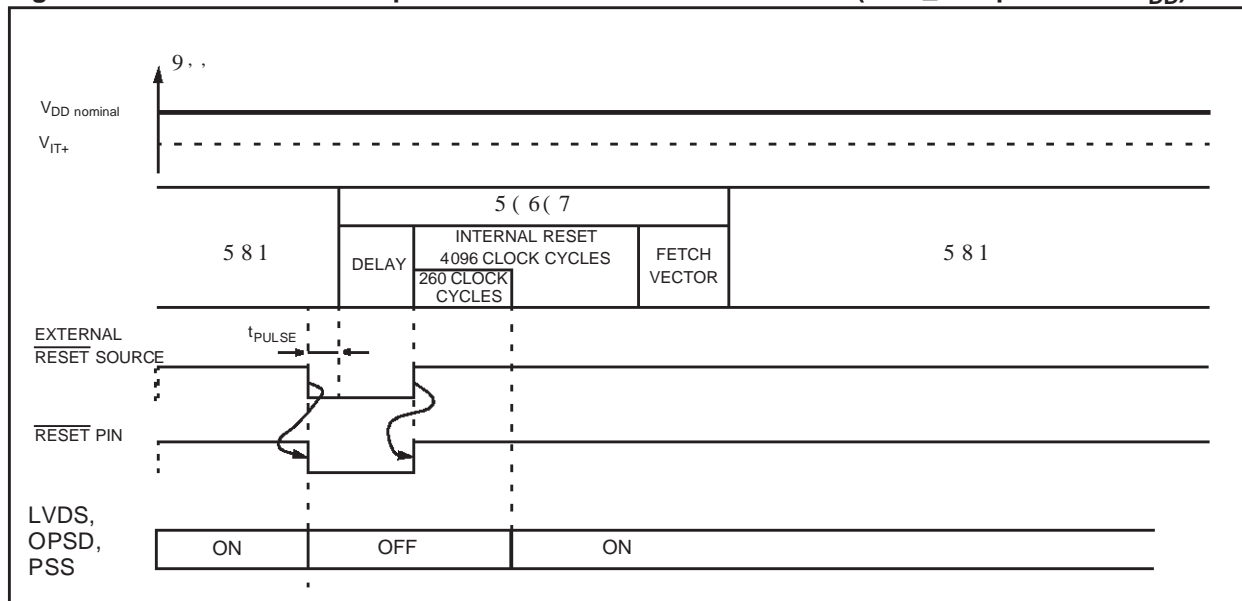


Figure 13. External RESET Sequence with External Clock Selected (OSC_SEL pin tied to V_{DD})



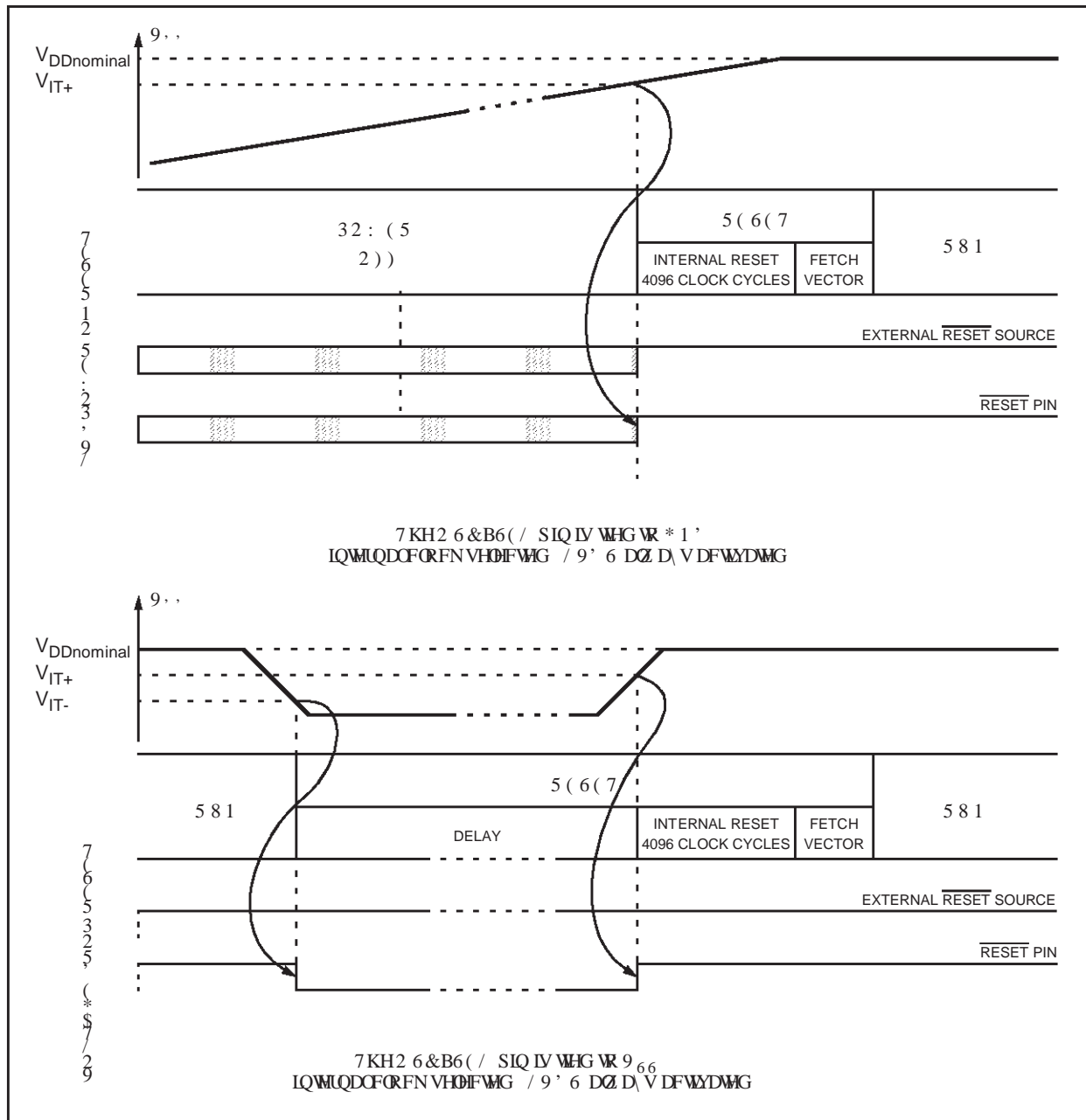
RESET MANAGER (Cont'd)

Two different RESET sequences caused by the internal LVD circuitry can be distinguished:
 - LVD Power-On RESET
 - Voltage Drop RESET

In the second sequence, a "delay" phase is used to keep the device in RESET state until V_{DD} rises up to V_{IT+} (see Figure 14).

Important: if OSC_SEL pin is HIGH (external clock selected), the LVD Power-On and the Voltage Drop features are disabled during the first 260 clock cycles (f_{CPU}) after reset. This means that an external reset circuitry must be provided to reset the microcontroller.

Figure 14. LVD RESET Sequences when the OSC_SEL pin is tied to GND



3.3 MAIN CLOCK CONTROLLER SYSTEM (MCC)

The MCC block supplies the clock for the ST7 CPU and its internal peripherals. It allows to manage the SLOW power saving mode acting on the SMS bit of the Miscellaneous register (MISCR) and the Main clock-out capability acting on the CKD and CKAFOEN bits of the Smartcard Supply Supervisor Control Register (SSSCR).

The main clock of the ST7 can be generated by two different sources (see Figure 17):

- an external source
- an internal RC oscillator

The device is normally operated using an integrated 7.16MHz oscillator, meaning 3.58MHz operating frequency. However, an external clock can be applied, up to 8MHz (4MHz operating frequency). The clock source is selected through the OSC_SEL pin status.

External Clock

The OSC_SEL pin status selects the External Clock capability when it is tied to V_{DD}. In this mode, a clock signal with ~50% duty cycle has to drive the OSCIN pin (see Figure 15).

Internal RC Oscillator

The OSC_SEL pin status selects the Internal RC clock source capability when it is tied to V_{SS} (see Figure 16).

Note that OSC_SEL pin contains a pull-down which allows to leave OSC_SEL in high impedance in the application when the internal oscillator is selected. This is mandatory for using the Remote In Situ Programming feature.

Figure 15. External Clock

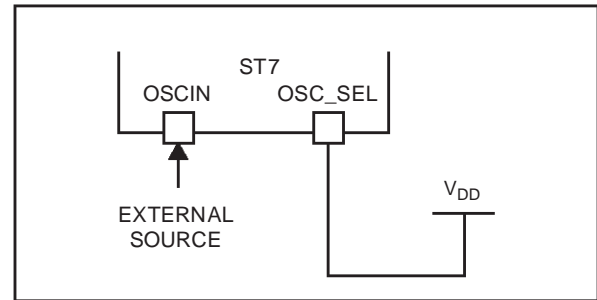


Figure 16. Internal RC Oscillator

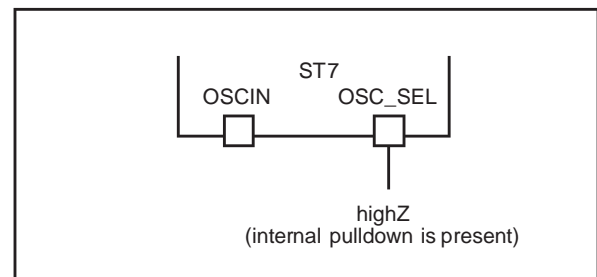
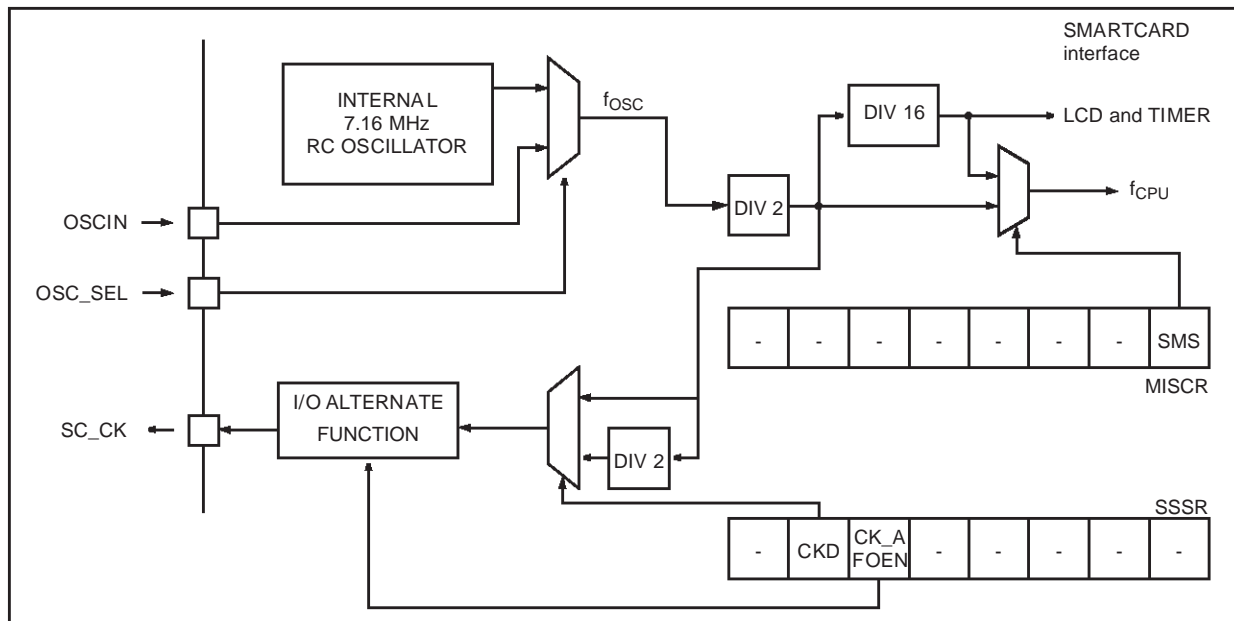


Figure 17. Main Clock Controller (MCC) Block Diagram



4 INTERRUPTS

The ST7 core may be interrupted by one of two different methods: maskable hardware interrupts as listed in the Interrupt Mapping Table and a non-maskable software interrupt (TRAP). The Interrupt processing flowchart is shown in Figure 1.

The maskable interrupts must be enabled clearing the I bit in order to be serviced. However, disabled interrupts may be latched and processed when they are enabled (see external interrupts subsection).

When an interrupt has to be serviced:

- Normal processing is suspended at the end of the current instruction execution.
- The PC, X, A and CC registers are saved onto the stack.
- The I bit of the CC register is set to prevent additional interrupts.
- The PC is then loaded with the interrupt vector of the interrupt to service and the first instruction of the interrupt service routine is fetched (refer to the Interrupt Mapping Table for vector addresses).

The interrupt service routine should finish with the IRET instruction which causes the contents of the saved registers to be recovered from the stack.

Note: As a consequence of the IRET instruction, the I bit will be cleared and the main program will resume.

Priority management

By default, a servicing interrupt cannot be interrupted because the I bit is set by hardware entering in interrupt routine.

In the case when several interrupts are simultaneously pending, an hardware priority defines which one will be serviced first (see the Interrupt Mapping Table).

Interrupts and Low power mode

All interrupts allow the processor to leave the WAIT low power mode. Only external and specifically mentioned interrupts allow the processor to leave the HALT low power mode (refer to the "Exit from HALT" column in the Interrupt Mapping Table).

4.1 NON MASKABLE SOFTWARE INTERRUPT

This interrupt is entered when the TRAP instruction is executed regardless of the state of the I bit.

It will be serviced according to the flowchart on Figure 1.

4.2 EXTERNAL INTERRUPTS

External interrupt vectors can be loaded into the PC register if the corresponding external interrupt occurred and if the I bit is cleared. These interrupts allow the processor to leave the Halt low power mode.

The external interrupt polarity is selected through the miscellaneous register or interrupt register (if available).

An external interrupt triggered on edge will be latched and the interrupt request automatically cleared upon entering the interrupt service routine.

If several input pins, connected to the same interrupt vector, are configured as interrupts, their signals are logically ANDed before entering the edge/level detection block.

Caution: The type of sensitivity defined in the Miscellaneous or Interrupt register (if available) applies to the ei source. In case of an ANDed source (as described on the I/O ports section), a low level on an I/O pin configured as input with interrupt, masks the interrupt request even in case of rising-edge sensitivity.

4.3 PERIPHERAL INTERRUPTS

Different peripheral interrupt flags in the status register are able to cause an interrupt when they are active if both:

- The I bit of the CC register is cleared.
- The corresponding enable bit is set in the control register.

If any of these two conditions is false, the interrupt is latched and thus remains pending.

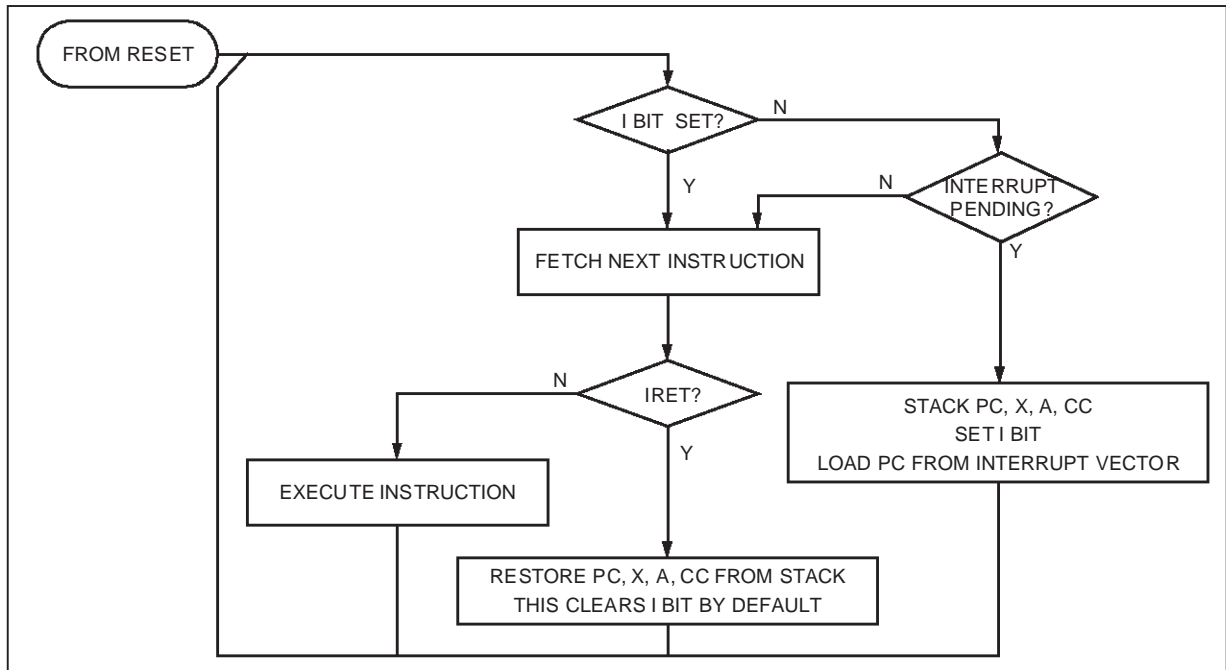
Clearing an interrupt request is done by:

- Writing "0" to the corresponding bit in the status register or
- Access to the status register while the flag is set followed by a read or write of an associated register.

Note: the clearing sequence resets the internal latch. A pending interrupt (i.e. waiting for being enabled) will therefore be lost if the clear sequence is executed.

INTERRUPTS (Cont'd)

Figure 18. Interrupt Processing Flowchart



4.4 POWER SAVING MODES

4.4.1 Introduction

There are three Power Saving modes. Slow Mode is selected by setting the relevant bits in the Miscellaneous register. Wait and Halt modes may be entered using the WFI and HALT instructions.

Table 5. Power Saving Modes

Mode	f _{CPU}	CPU	Peripherals switched off.	Wake up
Slow	f _{OSC} /32	ON	None	-
Wait	f _{OSC} /2 or f _{OSC} /32	OFF	None	- External I/O - Timer - LVDS (PDF Flag). - Reset
Halt	OFF	OFF	- SSS - TIMER ¹ - LVDS ² - LCD	- External I/O - Timer - Reset

¹ Except with external timer clock.

² If the LVD bit in the MISCR register is reset

Note: To reduce power consumption (in Run or Wait modes), the smartcard supply supervisor (SSS) and the LCD can be disabled by software.

4.4.2 Slow Mode

In Slow mode, the oscillator frequency can be divided by a value defined in the Miscellaneous Register. The CPU and peripherals are clocked at this lower frequency except the LCD driver and the 8-bit Timer which have a fixed clock. Slow mode is used to reduce power consumption, and enables the user to adapt the clock frequency to the available supply voltage.

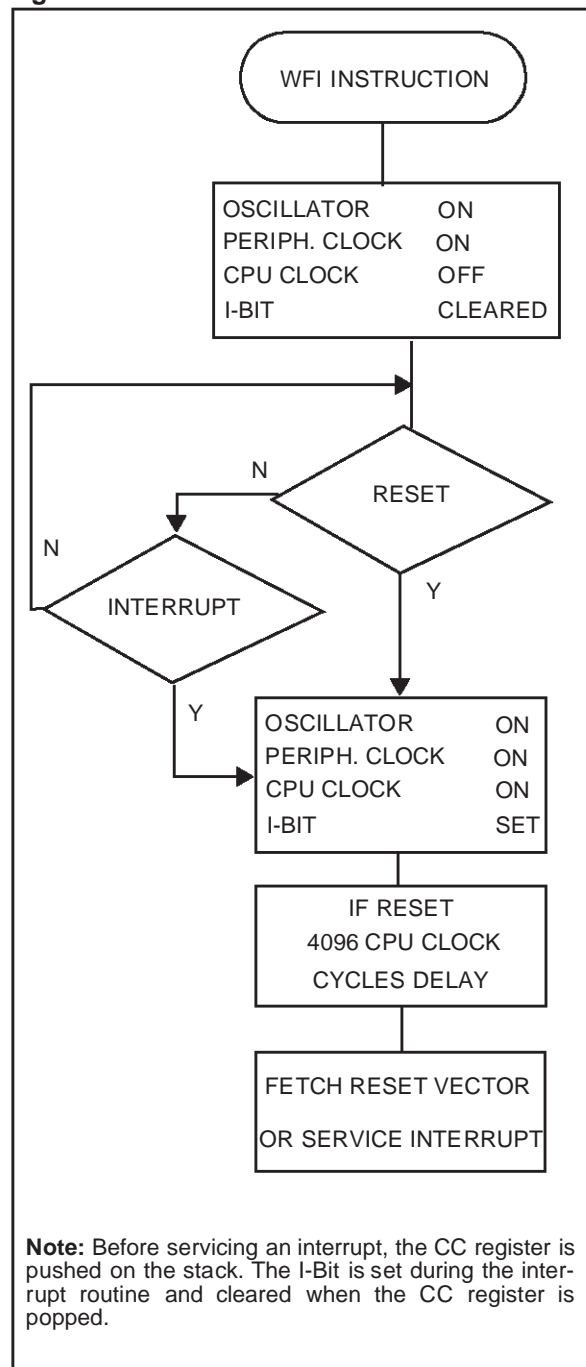
4.4.3 Wait Mode

Wait mode places the MCU in a low power consumption mode by stopping the CPU. The peripherals remain active. During Wait mode, the I bit (CC Register) is cleared, so as to enable all interrupts. All other registers and memory remain unchanged. The MCU will remain in Wait mode until an Interrupt or Reset occurs, the Program Counter then branches to the starting address of the Interrupt or Reset Service Routine.

The MCU will remain in Wait mode until a Reset or an Interrupt occurs, causing it to wake up.

Refer to Figure 19.

Figure 19. Wait Mode Flow Chart



POWER SAVING MODES (Cont'd)

4.4.4 Halt Mode

The Halt mode is the lowest power consumption mode of the MCU. Halt mode is entered by executing the HALT instruction. The internal oscillator is then turned off, causing all internal processing to be stopped, including the operation of the on-chip peripherals.

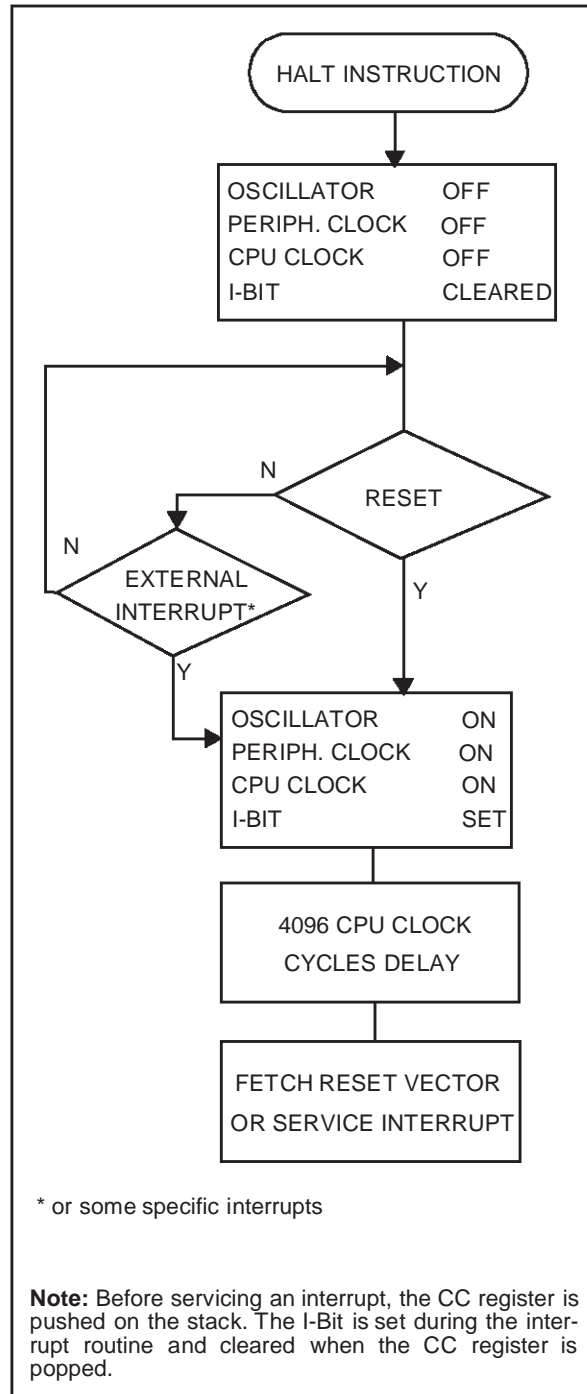
When entering Halt mode, the I bit in the CC Register is cleared so as to enable External Interrupts. If an interrupt occurs, the CPU becomes active.

The MCU can exit Halt mode on reception of an interrupt or a reset. Refer to the Interrupt Mapping Table. The oscillator is then turned on and a stabilization time is provided before releasing CPU operation. The stabilization time is 4096 CPU clock cycles.

After the start up delay, the CPU continues operation by servicing the interrupt which wakes it up or by fetching the reset vector if a reset wakes it up.

Note: If the LVD bit in the MISCR register is set, the LVDS is not disabled when entering Halt mode.

Figure 20. HALT Flow Chart



5 ON-CHIP PERIPHERALS

5.1 I/O PORTS

5.1.1 Introduction

The I/O ports offer different functional modes:

- transfer of data through digital inputs and outputs and for specific pins:
- external interrupt generation
- alternate signal input/output for the on-chip peripherals.

An I/O port contains up to 8 pins. Each pin can be programmed independently as digital input (with or without interrupt generation) or digital output.

5.1.2 Functional Description

Each port is associated to 2 main registers:

- Data Register (DR)
- Data Direction Register (DDR)

and one optional register:

- Option Register (OR)

Each I/O pin may be programmed using the corresponding register bits in DDR and OR registers: bit X corresponding to pin X of the port. The same correspondence is used for the DR register.

The following description takes into account the OR register, for specific port which do not provide this register refer to the I/O Port Implementation section. The generic I/O block diagram is shown on Figure 21.

Input Modes

The input configuration is selected by clearing the corresponding DDR register bit.

In this case, reading the DR register returns the digital value applied to the external I/O pin.

Different input modes can be selected by software through the OR register.

Note1: Writing the DR register modifies the latch value but does not affect the pin status.

Note2: When switching from input to output mode, the DR register has to be written first to drive the correct level on the pin as soon as the ports is configured as an output.

External interrupt function

When an I/O is configured in Input with Interrupt, an event on this I/O can generate an external Interrupt request to the CPU.

Each pin can independently generate an Interrupt request. The interrupt sensitivity is given independently according to the description mentioned in the Miscellaneous register.

Each external interrupt vector is linked to a dedicated group of I/O port pins (see Interrupt section). If more than one input pins are selected simultaneously as interrupt source, these are logically ANDed. For this reason if one of the interrupt pins is tied low, it masks the other ones.

In case of a floating input with interrupt configuration, special cares mentioned in the IO port implementation section have to be taken.

Output Mode

The output configuration is selected by setting the corresponding DDR register bit.

In this case, writing the DR register applies this digital value to the I/O pin through the latch. Then reading the DR register returns the previously stored value.

Two different output modes can be selected by software through the OR register: Output push-pull and open-drain.

DR register value and output pin status:

DR	Push-pull	Open-drain
0	V_{SS}	V_{SS}
1	V_{DD} or V_{SC_PWR}	Floating

Note: In this mode, interrupt function is disabled.

Alternate function

When an on-chip peripheral is configured to use a pin, the alternate function is automatically selected. This alternate function takes priority over the standard I/O programming.

When the signal is coming from an on-chip peripheral, the I/O pin is automatically configured in output mode (push-pull or open drain according to the peripheral).

When the signal is going to an on-chip peripheral, the I/O pin has to be configured in input mode. In this case, the pin's state is also digitally readable by addressing the DR register.

Note: Input pull-up configuration can cause unexpected value at the input of the alternate peripheral input. When an on chip peripheral use a pin as input and output, this pin has to be configured in input floating mode.

WARNING: The alternate function must not be activated as long as the pin is configured as input with interrupt, in order to avoid generating spurious interrupts.

I/O PORTS (Cont'd)

Smartcard versus Standard I/Os

The Smartcard I/O ports differ from the standard I/O ports in that they have a different power supply: the output buffers and the input Schmitt trigger are supplied by V_{SC_PWR} for the Smartcard I/Os and by V_{DD} for the Standard I/Os. For Smartcard I/Os, the Schmitt trigger is designed to guarantee output levels compatible with V_{DD} for $V_{SC_PWR} = 5V$ or $3V$.

Caution: When the SSS regulator is deactivated (bit SSEN=0), the Smartcard I/O ports cannot be used correctly ($V_{SC_PWR}=V_{SS}$). In this case, special care is required when manipulating external interrupts: As Smartcard I/Os are always tied to ground, they may mask interrupts on other I/O lines of the same port.

Figure 21. I/O Block Diagram

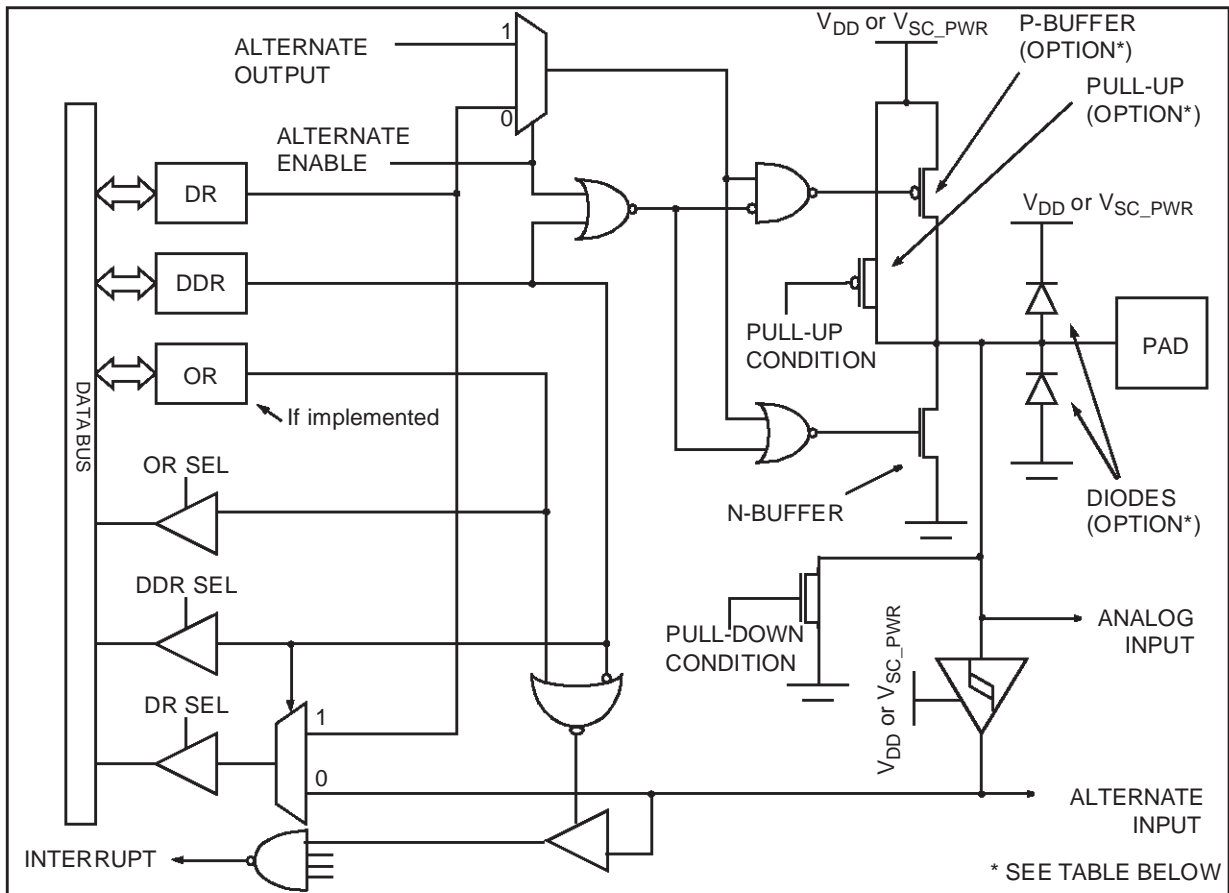


Table 6. Port Mode Options

Configuration Mode		Pull-Up	P-Buffer	Diodes
Input	Floating	Off	Off	On
	Pull-up with Interrupt	On		
Output	Push-pull	Off	On	
	Open Drain (logic level)		Off	
	Push-pull with pull-up	On	On	
	Open Drain (logic level) with pull-up		Off	
	True Open Drain		NI	

NI - not implemented

Off - implemented not activated

On - implemented and activated

I/O PORTS (Cont'd)

5.1.3 I/O Port Implementation

The I/O port register configurations are summarised as follows.

Standard Ports

PA0:7, PB5 (supplied by V_{DD})

MODE	DDR	OR
floating input	0	0
pull-up input with interrupt	0	1
open drain output	1	0
push-pull output	1	1

PB6 (supplied by V_{DD})

MODE	DDR	OR
floating input	0	0
pull-down input with interrupt	0	1
open drain output	1	0
push-pull output	1	1

PB0, 2, 3, 4 (supplied by V_{SC_PWR})

MODE	DDR	OR
floating input	0	0
pull-up input with interrupt	0	1
open drain output	1	0
push-pull output	1	1

PB1 (Smartcard Data supplied by V_{SC_PWR})

MODE	DDR	OR
pull-up input	0	0
pull-up input with interrupt	0	1
open drain output with pull-up	1	0
push-pull output with pull-up	1	1

Switching these I/O ports from one state to another should be done in a sequence that prevents unwanted side effects. Recommended safe transitions are illustrated in Figure 22. Other transitions are potentially risky and should be avoided, since they are likely to present unwanted side-effects such as spurious interrupt generation.

Figure 22. Interrupt I/O Port State Transition

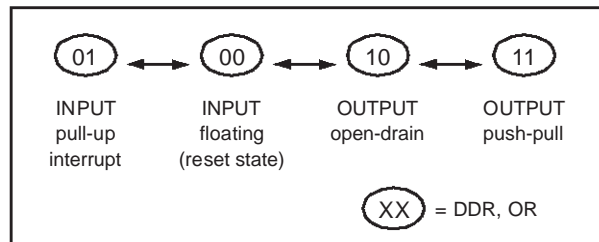


Table 7. Port Configuration

Port	Pin name	Input		Output	
		OR = 0	OR = 1	OR = 0	OR = 1
Port A	PA7:0	floating	pull-up interrupt	open drain	push-pull
Port B	PB6	floating	pull-down interrupt	open drain	push-pull
	PB5	floating	pull-up interrupt	open drain	push-pull
	PB4:2 (SC*)	floating	pull-up interrupt	open drain	push-pull
	PB1 (SC*)	pull-up	pull-up interrupt	pull-up open drain	pull-up push-pull
	PB0 (SC*)	floating	pull-up interrupt	open drain	push-pull

* **Note:** Smartcard I/Os supplied by V_{SC_PWR} .

I/O PORTS (Cont'd)

Table 8. I/O Port Register Map and Reset Values

Address (Hex.)	Register Label	7	6	5	4	3	2	1	0
Reset Value of all IO port registers		0	0	0	0	0	0	0	0
0000h	PADR	MSB							LSB
0001h	PADDR								
0002h	PAOR								
0004h	PBDR	-	MSB						LSB
0005h	PBDDR								
0006h	PBOR								

5.2 MISCELLANEOUS REGISTER

The miscellaneous register allows control over several features such as the external interrupts or the I/O alternate functions.

5.2.1 I/O Port Interrupt Sensitivity Description

The external interrupt sensitivity is controlled by the IPB and IS[1:0] bits of the Miscellaneous register (Figure 23). Up to 2 fully independent external interrupt source sensitivities are allowed.

Each external interrupt source can be triggered by four different events on the pin:

- Falling edge
- Rising edge
- Falling and rising edge

- Falling edge and low level

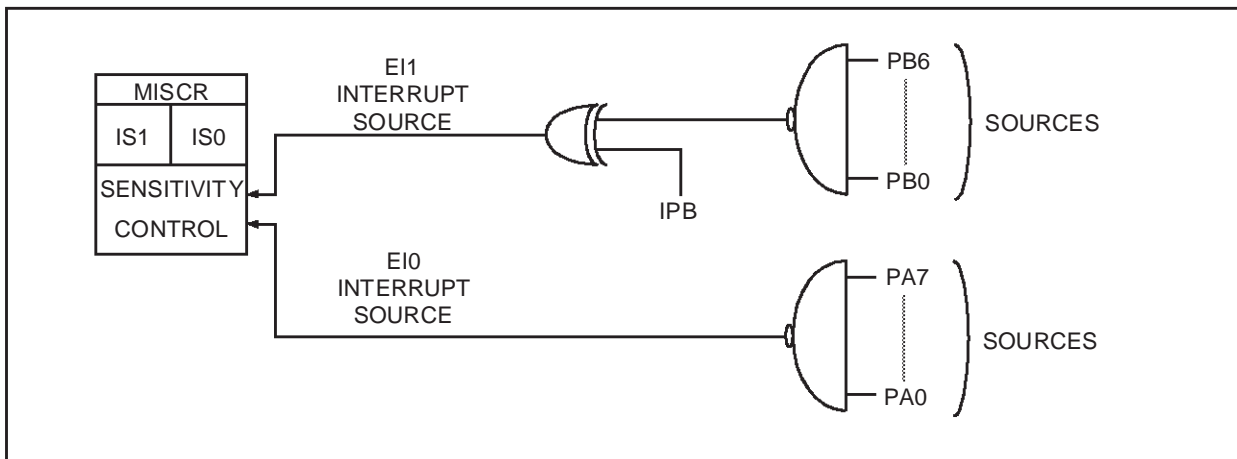
To guarantee the functionality, a modification of the sensitivity in the MISC register can be done only when the I bit of the CC register is set to 1 (interrupt masked). See I/O port register and Miscellaneous register descriptions for more details on programming.

Caution: Take care when changing the value of the IPB bit as, in some cases, an interrupt will be generated by the edge resulting from the change.

5.2.2 Slow mode and V_{DD} Supply Monitoring

The MISCR register manages SLOW mode selection and the LVDS V_{DD} monitoring interrupt. Refer to the register description.

Figure 23. External Interrupt Sources vs MISCR



MISCELLANEOUS REGISTER (Cont'd)

0,6&(/ / \$ 1 (2 8 6 5 (* ,67(5 0,6 &5

Read/Write

Reset Value: x000 0000 (x0h)

(for bit 7, the reset value depends on V_{DD})

7	6	5	4	3	2	1	0
PSSF	LVD	IPB	IS1	IS0	PDIE	PDF	SMS

Bit 7 = PSSF *Power Supply Supervisor Flag*

This bit is set and cleared by hardware.

0: V_{DD} is greater than V_{PSS} .1: V_{DD} is less than V_{PSS} .**Bit 6 = LVD** *LVD ON during HALT mode*

This bit is set and cleared by software.

This bit is used to keep the LVD active during HALT mode.

0: LVD switched off in HALT mode (reset state).

1: LVD active in HALT mode.

Bit 5 = IPB *Interrupt polarity for port B*

This bit is used to reverse the external interrupt sensitivity polarity of the port B[6:0] pins. It is set and cleared by software.

0: Standard sensitivity polarity

1: Reversed sensitivity polarity

Note: See IS[1:0] bit description for more details.

This bit can be written only when the I bit of the CC register is set to 1 (if interrupts are masked).

Bit 4:3 = IS[1:0] *EI0 and EI1 sensitivity*

These bits are used to program the interrupt sensitivity of the following external interrupts:

- EI1 (port B[6:0])

- EI0 (port A[7:0])

These 2 bits can be written only when the I bit of the CC register is set to 1 (interrupt masked).

IS1	IS0	External Interrupt Sensitivity	
		MISCR.IPB=0	MISCR.IPB=1
0	0	Falling edge & low level	Rising edge & high level
0	1	Rising edge only	Falling edge only
1	0	Falling edge only	Rising edge only
1	1	Rising and falling edge	

IS1	IS0	External Interrupt Sensitivity
0	0	Falling edge & low level
0	1	Rising edge only
1	0	Falling edge only
1	1	Rising and falling edge

Bit 2 = PDIE *Power Down Interrupt Enable*

This bit is set and cleared by software.

0: Power down interrupt disabled

1: Power down interrupt enabled

Bit 1 = PDF *Power Down Flag*This bit is set and cleared by software or set by hardware if $(V_{REF} - V_{DD}) > M$. If the PDIE bit is set, an interrupt is generated when PDF is set (sensitivity is high level). It can be cleared only by software writing zero. It can also be set by software, generating an interrupt if PDIE is enabled.0: $(V_{REF} - V_{DD}) < M$: No open V_{DD} circuit detected1: $(V_{REF} - V_{DD}) > M$: Open V_{DD} circuit detected.**Bit 0 = SMS** *Slow mode select*

This bit is set and cleared by software.

0: Normal mode. $f_{CPU} = f_{OSC} / 2$ 1: Slow mode. $f_{CPU} = f_{OSC} / 32$

See low power mode and MCC chapters for more details.

5.3 8-BIT TIMER (TIM8)

5.3.1 Introduction

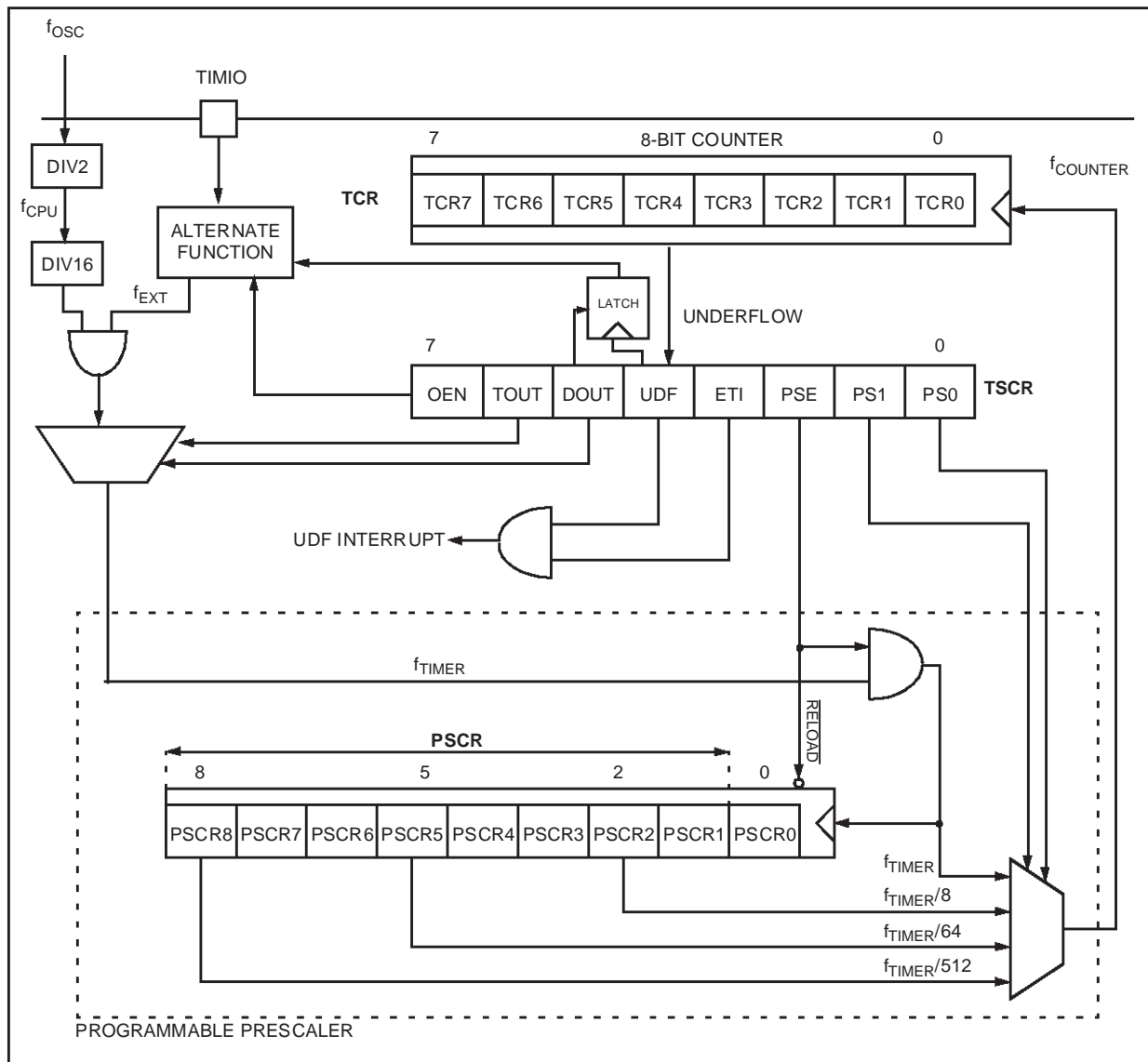
The 8-Bit Timer on-chip peripheral (TIM8) is a free running downcounter based on an 8-bit down-counter with a 9-bit programmable prescaler.

5.3.2 Main Features

- Timeout downcounting mode with up to 16-bit accuracy
- External counter clock source (valid also in HALT mode)
- Interrupt capability on counter underflow
- Output signal generation
- External pulse length measurement
- Time base interrupt

The timer can be used in WAIT and HALT modes and to wake up the MCU.

Figure 24. Timer Block Diagram



8-BIT TIMER (Cont'd)**5.3.3 Counter/Prescaler Description****Counter**

The free running 8-bit downcounter is fed by the output of the programmable prescaler, and is decremented on every rising edge of the f_{COUNTER} clock signal.

It is possible to read or write the contents of the counter on the fly, by reading or writing the timer counter register (TCR).

When a counter underflow occurs, the counter is automatically reloaded with the value FFh.

Counter clock and prescaler

The counter clock frequency is given by:

$$f_{\text{COUNTER}} = f_{\text{TIMER}} / 8^{\text{PS}[1:0]}$$

where f_{TIMER} can be:

- $f_{\text{CPU}}/16$
- f_{EXT} (input on TIMIO pin)
- $f_{\text{CPU}}/16$ gated by TIMIO pin

Table 13 lists the values that f_{COUNTER} can take if f_{TIMER} is $f_{\text{CPU}}/16$.

Table 9. f_{counter} values for a $f_{\text{cpu}}=3.58\text{MHz}$

f_{counter}	PS0	PS1
224 kHz	0	0
28 kHz	1	0
3.5 kHz	0	1
437 Hz	1	1

The timer input clock (f_{TIMER}) feeds the 9-bit programmable prescaler. The prescaler output can be programmed by selecting one of the 4 available prescaler taps using the PS[1:0] bits in the Status/Control Register (TSCR). Thus the division factor of the prescaler can be set to 8^n (where n equals 0, 1, 2 or 3). See Figure 38.

The clock input is enabled by the PSE (Prescaler Enable) bit in the TSCR register. When PSE is reset, the counter is frozen and the prescaler is loaded with the value 1FFh. When PSE is set, the prescaler and the counter run at the rate of the selected clock source.

Counter and Prescaler Initialization

After RESET, the counter and the prescaler are initialized to FFh and 1FFh respectively.

The 9-bit prescaler can be initialized separately to 1FFh by clearing the PSE bit. Direct write access to the prescaler is not possible.

The 8-bit counter can be initialized separately by writing to the TCR register.

8-BIT TIMER (Cont'd)

5.3.4 Functional description

5.3.4.1 8-bit counting and interrupt capability on counter underflow

Whatever the division factor defined for the prescaler, the Timer Counter works as an 8-bit down-counter. The input clock frequency is user selectable using the PS0 and PS1 bits.

When the downcounter underflows (transition from 00h to FFh), the UDF (Timer Underflow) bit in the TSCR is set. If the ETI (Enable Timer Interrupt) bit in the TSCR is also set, an interrupt request is generated.

The Timer interrupt can be used to exit the MCU from WAIT or HALT mode.

The TCR can be written at any time by software to define a time period ending with a UDF event, and therefore manage delay or timer functions.

UDF is set when the counter underflows (clock pulse creating the transition from 00h to FFh); however, it may also be set by setting bit 4 of the TSCR register. The UDF bit must be cleared by user software when servicing the timer interrupt to avoid undesired interrupts when leaving the interrupt service routine. After reset, the 8-bit counter register is loaded with 0FFh, while the 9-bit prescaler is loaded with 1FFh, and the TSCR register is loaded with 050h. This means that the Timer is stopped (PSE="0") and the timer interrupt is disabled.

Note: A write to the TCR register will predominate over the 8-bit counter decrement to 00h function, i.e. if a write and a TCR register decrement to 00h occur simultaneously, the write will take precedence, and the UDF bit is not set until the 8-bit counter underflows again.

Application Notes

– A time base interrupt can be created by using the UDF interrupt to generate interrupts at regular time intervals.

With the maximum prescaler ratio set, the maximum period between two UDF flags is:

$$512/f_{\text{TIMER}}$$

If we consider the previous example:

$$(f_{\text{TIMER}}=f_{\text{CPU}}/16)$$

we have

$$(512 \cdot 16) / f_{\text{CPU}}$$

(2.3 ms for a f_{CPU} of 3.58MHz).

With the minimum prescaler ratio set, the minimum step of the 8-bit downcounter, i.e the res-

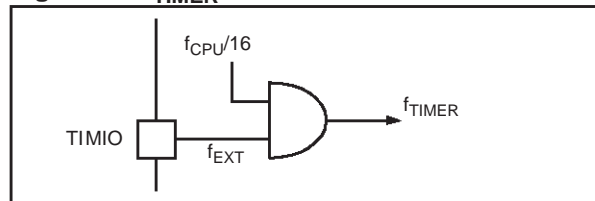
olution, is $1/f_{\text{TIMER}}$, that means $16 / f_{\text{CPU}}$ ($4.5 \mu\text{s}$ for a $f_{\text{CPU}}=3.58\text{MHz}$).

– When the maximum division factor (512) is set, the input clock to the 8-bit downcounter is the 9th and last bit of the prescaler. This means, the 9-bit prescaler and the 8-bit counter are serialized and can be considered as a 16-bit counter with a frequency of $f_{\text{TIMER}}/512$.

5.3.4.2 Gated mode

(TOUT = "0", DOUT = "1")

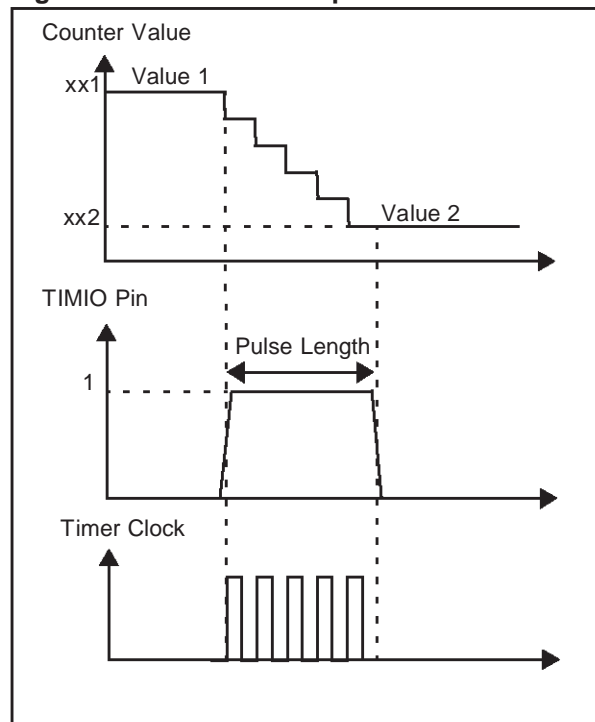
Figure 25. f_{TIMER} Clock in Gated Mode



In this mode, the prescaler is decremented by the Timer clock input, but only when the signal on the TIMIO pin is held high ($f_{\text{CPU}}/16$ gated by TIMIO). See Figure 39 and Figure 40.

This mode is selected by clearing the TOUT bit in the TSCR register (i.e. as input) and setting the DOUT bit.

Figure 26. .Gated Mode Operation

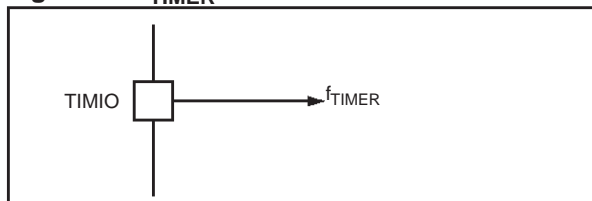


8-BIT TIMER (Cont'd)

5.3.4.3 Event counter mode

(TOUT = "0", DOUT = "0")

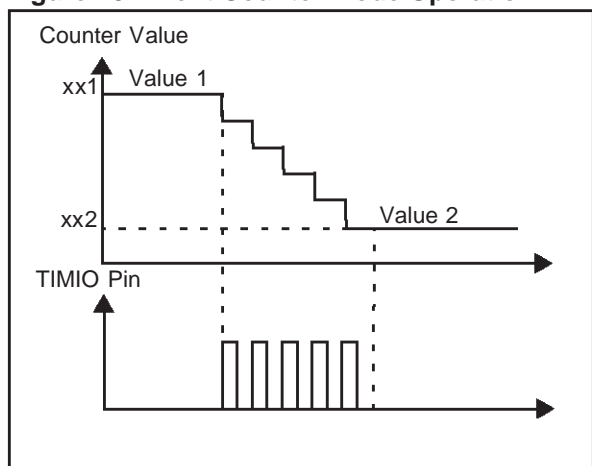
Figure 27. f_{TIMER} Clock in Event Counter Mode



In this mode, the TIMIO pin is the input clock of the Timer prescaler which is decremented on every rising edge of the input clock (allowing event count). See Figure 41 and Figure 42.

This mode is selected by clearing the TOUT bit in the TSCR register (i.e. as input) and clearing the DOUT bit.

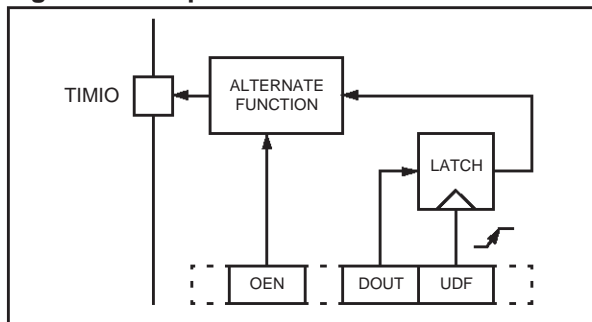
Figure 28. Event Counter Mode Operation



5.3.4.4 Output mode

(TOUT = "1", DOUT = "data out")

Figure 29. Output Mode Control

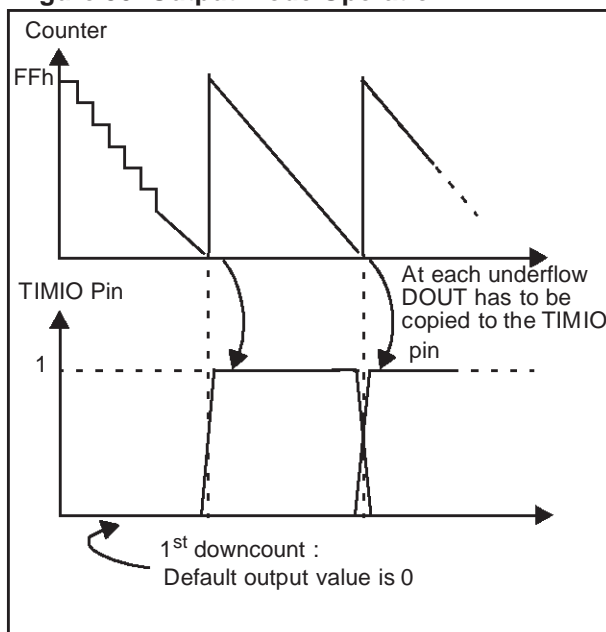


In Output mode, the TIMIO pin is connected to the DOUT latch, hence the Timer prescaler is clocked by the prescaler clock input ($f_{CPU}/16$). See Figure 43.

The user can select the desired prescaler division ratio through the PS1 and PS0 bits of the TSCR register. When the TCR count underflows, it sets the UDF bit in the TSCR. The UDF bit can be tested under program control to perform a timer function whenever it goes high and has to be cleared by the user. The low-to-high UDF bit transition is used to latch the DOUT bit of the TSCR and, if the OEN bit is set, DOUT is transferred to the TIMIO pin. This operating mode allows external signal generation on the TIMIO pin. See Figure 44.

This mode is selected by setting the TOUT bit in the TSCR register (i.e. as output) and setting the DOUT bit to output a high level or clearing the DOUT bit to output a low level

Figure 30. Output Mode Operation



TOUT	DOUT	Timer Function	Application
0	0	Event Counter (input)	External counter clock source
0	1	Gated input (input)	External Pulse length measurement
1	0	Output "0" (output)	Output signal generation
1	1	Output "1" (output)	

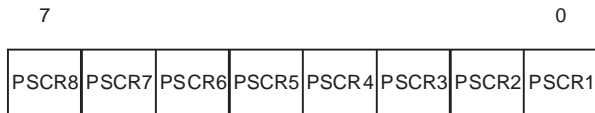
8-BIT TIMER (Cont'd)

5.3.5 Register Description

PRESCALER COUNTER REGISTER (PSCR)

Read only

Reset Value: 1111 1111 (FFh)

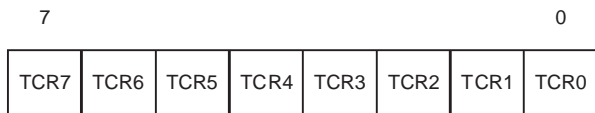


Bit 7:0 = **PSCR[8:1]** Prescaler MSB.

TIMER COUNTER REGISTER (TCR)

Read / Write

Reset Value: 1111 1111 (FFh)

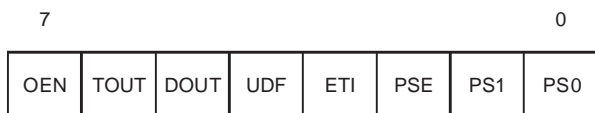


Bit 7:0 = **TCR[7:0]** Timer counter bits.

TIMER STATUS CONTROL REGISTER (TSCR)

Read/Write

Reset Value: 0101 0000 (50h)



Bit 7 = **OEN** Output Enable.

In output mode, this bit allows DOUT to be send to the timer output. It has no effects in INPUT mode.

0: Output disabled (reset state)

1: Output enabled

Bit 6 = **TOUT** Timer Output Control.

When low, this bit selects the input mode for the TIMER pin. When high the output mode is selected.

0: Input mode

1: Output mode (reset state)

Bit 5 = **DOUT** Data Output.

Data sent to the timer output when UDF is set high (output mode only). Input mode selection (input mode only).

Bit 4 = **UDF**: Timer Underflow.

A low-to-high transition indicates that the timer count register has underflowed. It means that the TCR value has changed from 00h to FFh.

This bit must be cleared by user software.

0: Counter has not underflowed

1: Counter underflow occurred (reset state)

Bit 3 = **ETI**: Enable Timer Interrupt.

When set, enables the timer interrupt request. If ETI=0 the timer interrupt is disabled. If ETI=1 and UDF=1 an interrupt request is generated.

0: Interrupt disabled (reset state)

1: Interrupt enabled

Bit 2 = **PSE**: Prescaler Enable.

Used to initialize the prescaler and inhibit its counting. When PSE="0" the prescaler is set to 1FFh and the counter is inhibited. When PSE="1" the prescaler is enabled to count downwards. As long as PSE="0" both counter and prescaler are not running

0: Counting disabled (reset state)

1: Counting enabled

Bit 1:0 = **PS1:0** Prescaler Mux. Select.

These bits select the division ratio of the prescaler register.

f _{TIMER} divided by	PS1	PS0
1	0	0
8	0	1
64	1	0
512	1	1

8-BIT TIMER (Cont'd)

Table 10. 8-Bit Timer Register Map and Reset Values

Address (Hex.)	Register Label	7	6	5	4	3	2	1	0
0031h	PSCR Reset Value	PSCR8 1	PSCR7 1	PSCR6 1	PSCR5 1	PSCR4 1	PSCR3 1	PSCR2 1	PSCR1 1
0032h	TCR Reset Value	TCR7 1	TCR6 1	TCR5 1	TCR4 1	TCR3 1	TCR2 1	TCR1 1	TCR0 1
0033h	TSCR Reset Value	OEN 0	TOUT 1	DOUT 0	UDF 1	ETI 0	PSE 0	PS1 0	PS0 0

5.4 32 x 4 LCD DRIVER

5.4.1 Introduction

The LCD driver controls up to 32 segments and 4 backplanes for driving up to 32x4 (128) LCD segments.

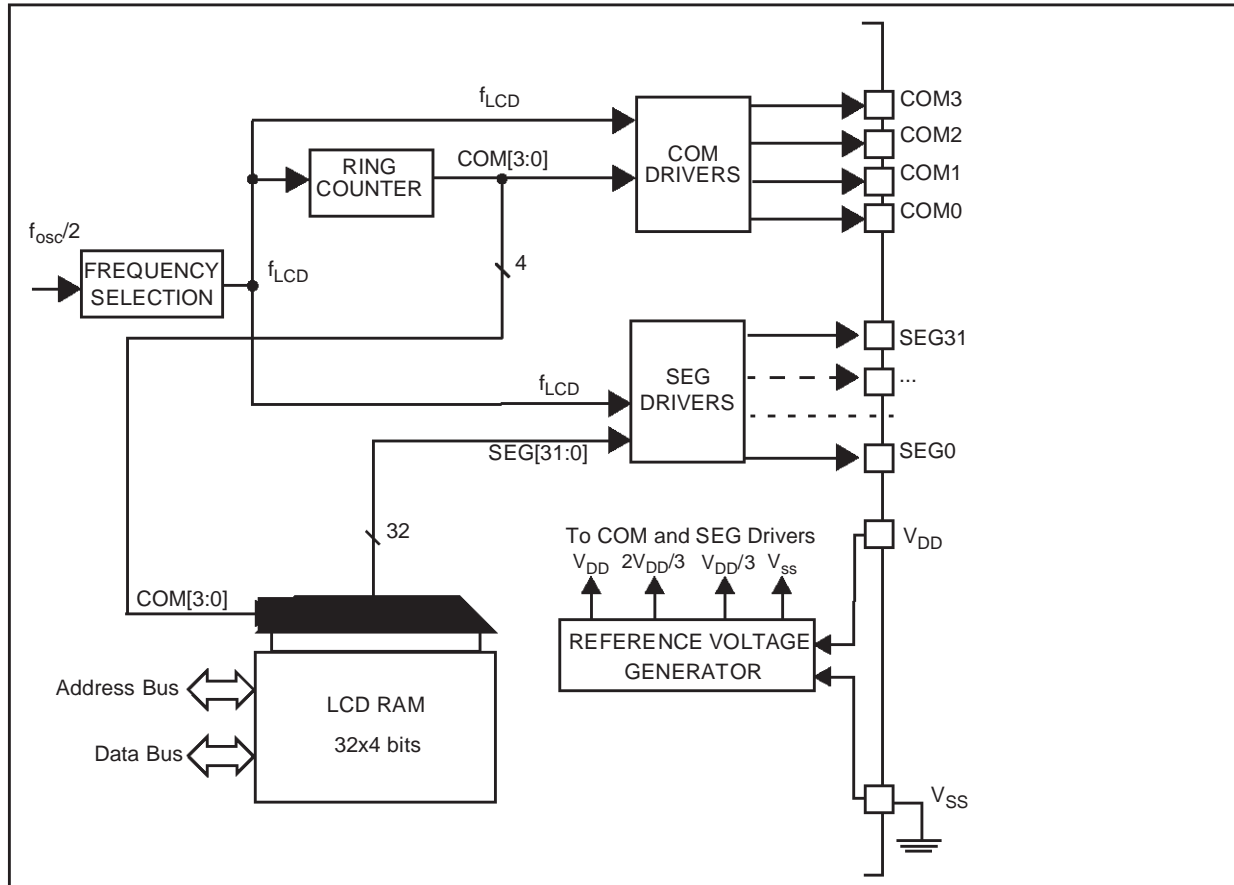
The LCD input clock can be divided by a selected ratio depending on the required frame frequency.

The parameters to display are stored in a 16-bytes LCD dual port RAM.

The peripheral can be switched off by software to reduce power consumption when not in use.

No external capacitor/resistor network is required as it is integrated on the chip.

Figure 31. LCD Driver Block Diagram



LCD DRIVER (Cont'd)

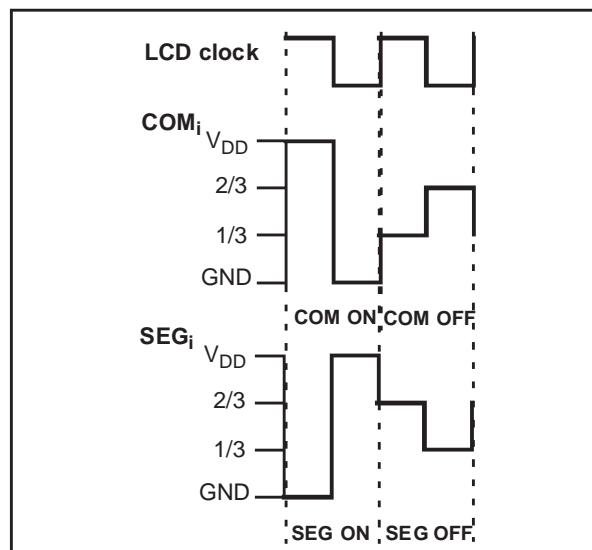
5.4.2 Segment and Common signals

Each picture element of the LCD panel is turned on when the differential voltage between the segment signal and the common signal rises above a certain threshold voltage. It is turned off when the voltage is below the threshold voltage.

Common signals determine the select timing within a frame cycle. The common signals have identical waveforms, but different phases. Each common signal has the highest amplitude only in the corresponding phase of a frame cycle. At the other phases, the signal amplitude is lower ($2/3 - 1/3$). A picture element can only be turned on with high signal amplitude.

The LCD driver has 32x4 bits of display memory. The corresponding address locations are read out automatically in synchronisation with the select timing of COM₀, COM₁, COM₂ and COM₃.

Figure 32. Waveforms of LCD Outputs



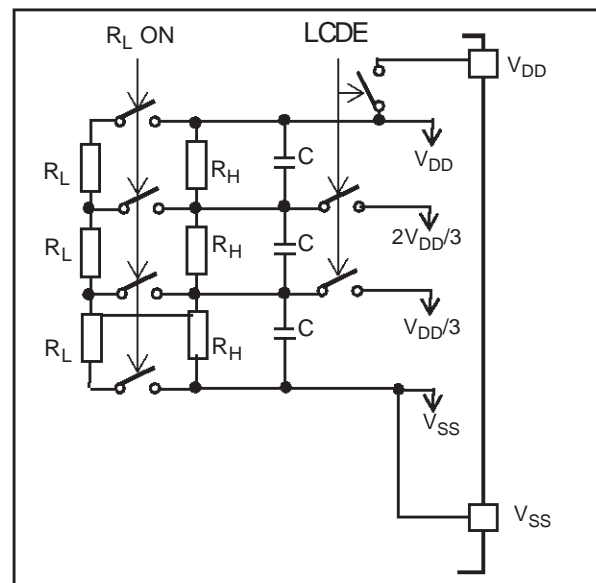
5.4.3 Reference Voltages

The display voltage levels are supplied by an internal resistor divider network as shown in Figure 47. This LCD driver generates 4 reference voltages from V_{SS} and V_{DD} through an internal RC divider network.

In order to increase current during transitions and to reduce consumption in static state, two resistive networks are used. The high resistive divider is permanently switched on during the LCD operation. The low resistive divider is only switched on

for a short period of time when the levels of common and segment lines change. This method combines low source impedance for fast switching of the LCD with high source impedance for low power consumption. When the LCD is disabled (bit LCDEN=0), the internal resistive network is also switched off for minimum power consumption.

Figure 33. LCD Reference Voltage generation



5.4.4 Display Example

The example in Figure 48 shows a sequence of two identical frames containing the waveforms displaying a "4" in a seven-segment display.

In each T_{FRAME} period, the LCD driver automatically switches on each of the four COM signals for one T_{LCD} period. COM₀ is on in the first period, COM₁ in the second period and so on. To switch them on, the waveform goes above and below the threshold voltages. When the waveform is within the thresholds, the COM is off.

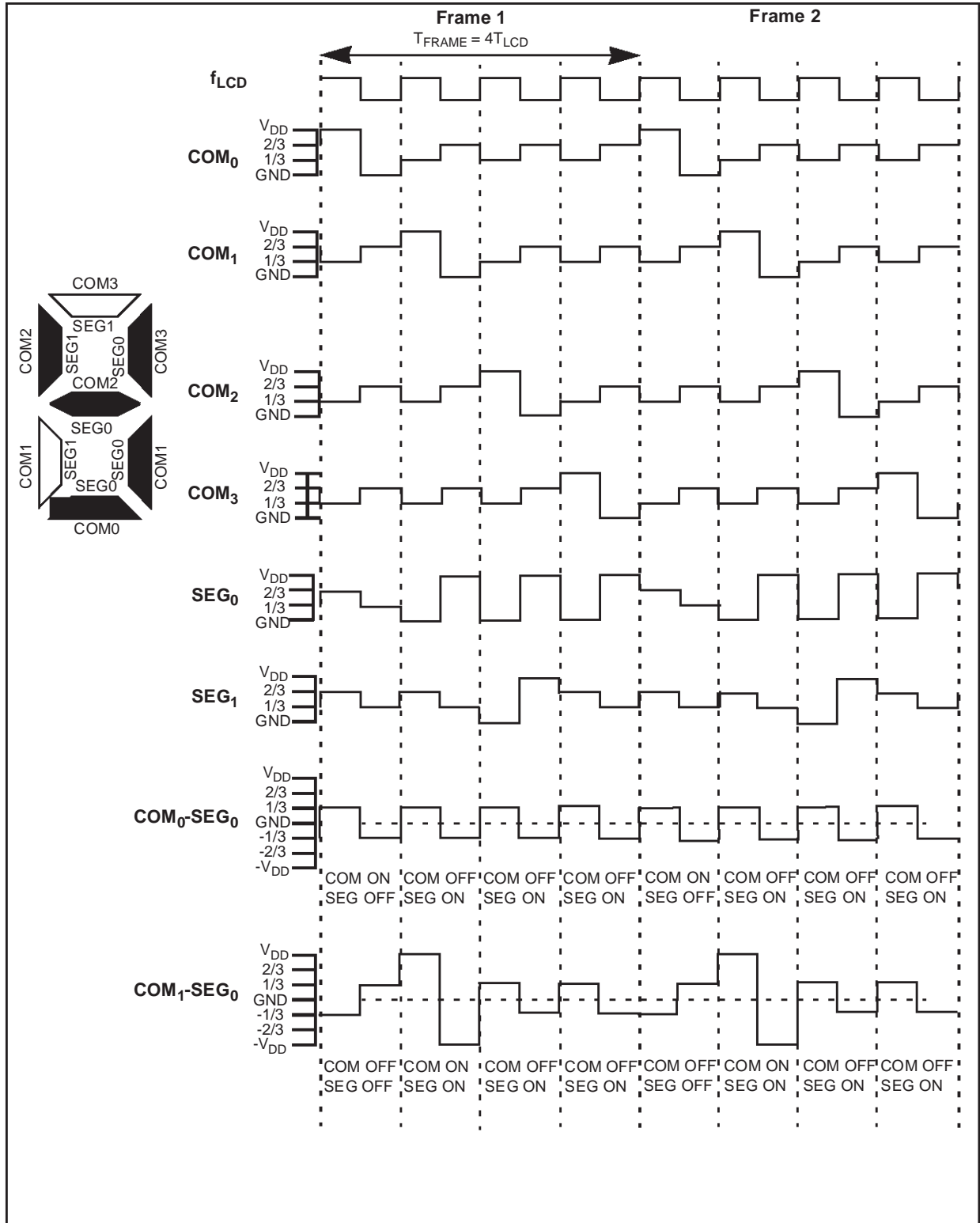
The SEG signals are controlled by software by programming the display memory.

- SEG 0 is off during the first period and on for the remaining three periods.
- SEG 1 is off during T_{LCD} periods 1, 2, and 4 and on for T_{LCD} period 3.

To program the display memory for this example, software must write 00h in locations 0140h-0143h and 01h in locations 144h through 0147h (refer to Section 5.4.7)

LCD DRIVER (Cont'd)

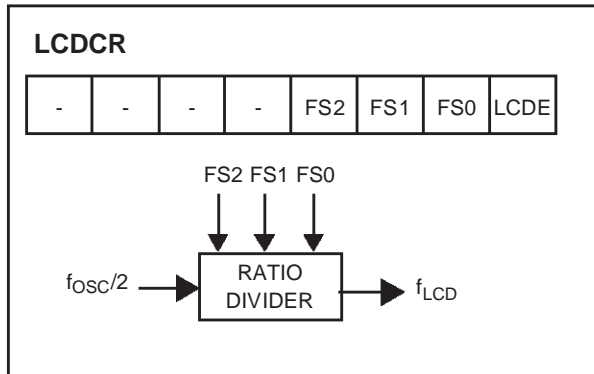
Figure 34. Mux Waveforms Example



LCD DRIVER (Cont'd)

5.4.5 Clock generation

Figure 35. LCD Clock Generation Diagram



The frequency divider (FS[2:0]) should be chosen according to the input frequency and the required frame frequency,

A compromise should be found between a sufficient frame frequency display on the LCD for correct visualisation and a low frame frequency for low consumption.

Below are the approximate LCD and frame frequencies resulting from the input frequencies selected using the FS[2:0] bits.

Note: The LCD frequency (f_{LCD}) must not exceed 2kHz.

$f_{osc}/2$
3.58MHz

FS2	FS1	FS0	Ratio	f_{LCD}	f_{frame}
1	1	1	16384	213.5Hz	53Hz
1	1	0	8192	427Hz	109Hz
1	0	1	4096	874Hz	218.5Hz
1	0	0	2048	1.748kHz	437Hz

$f_{osc}/2$
4MHz

FS2	FS1	FS0	Ratio	f_{LCD}	f_{frame}
1	1	1	16384	244Hz	61Hz
1	1	0	8192	488Hz	122Hz
1	0	1	4096	977Hz	244Hz
1	0	0	2048	1.953kHz	488Hz

$f_{osc}/2$
2MHz

FS2	FS1	FS0	Ratio	f_{LCD}	f_{frame}
1	1	0	8192	244Hz	61Hz
1	0	1	4096	488Hz	122Hz
1	0	0	2048	977Hz	244Hz
0	1	1	1024	1.953kHz	488Hz

$f_{osc}/2$
1MHz

FS2	FS1	FS0	Ratio	f_{LCD}	f_{frame}
1	0	1	4096	244Hz	61Hz
1	0	0	2048	488Hz	122Hz
0	1	1	1024	977Hz	244Hz
0	1	0	512	1.953kHz	488Hz

$f_{osc}/2$
500kHz

FS2	FS1	FS0	Ratio	f_{LCD}	f_{frame}
1	0	0	2048	244Hz	61Hz
0	1	1	1024	488Hz	122Hz
0	1	0	512	977Hz	244Hz
0	0	1	256	1.953kHz	488Hz

$f_{osc}/2$
225kHz

FS2	FS1	FS0	Ratio	f_{LCD}	f_{frame}
0	1	1	1024	244Hz	61Hz
0	1	0	512	488Hz	122Hz
0	0	1	256	977Hz	244Hz
0	0	0	128	1.953kHz	488Hz

LCD DRIVER (Cont'd)

5.4.6 Register Description

CONTROL REGISTER (CR)

Read/Write

Reset Value: 0000 0000 (00h)

7	6	5	4	3	2	1	0
-	-	-	-	FS2	FS1	FS0	LCDE

Bit 7:4 = **Reserved**, Must always be cleared

Bit 3:1 = **FS2:0 Frame Frequency selection**

These bits allow to select the LCD frame frequency. It controls the ratio between the input clock ($f_{OSC}/2$) and the LCD output clock (f_{LCD}). These bits are set and cleared by software.

Ration Divider	FS2	FS1	FS0
1/16384	1	1	1
1/8192	1	1	0
1/4096	1	0	1
1/2048	1	0	0
1/1024	0	1	1
1/512	0	1	0
1/256	0	0	1
1/128	0	0	0

Bit 0 = **LCDE LCD enable**

This bit is set and cleared by software.

0: LCD disabled

1: LCD enabled

While the LCD is disabled (LCDE bit cleared), all Segment and Common pins are high impedance.

5.4.7 LCD RAM Description

The 16-byte LCD RAM is located in memory from address 0140h to address 014Fh. Each bit of the LCD RAM is mapped to one picture element of the LCD panel. If a bit is set, the corresponding picture element is switched on, otherwise it is switched off.

After reset, the LCD RAM is not initialized and its content is indeterminate.

	Addr.	7	6	5	4	3	2	1	0
COM0	0140h	S7	S6	S5	S4	S3	S2	S1	S0
	0141h	S15	S14	S13	S12	S11	S10	S9	S8
	0142h	S23	S22	S21	S20	S19	S18	S17	S16
	0143h	S31	S30	S29	S28	S27	S26	S25	S24
COM1	0144h	S7	S6	S5	S4	S3	S2	S1	S0
	0145h	S15	S14	S13	S12	S11	S10	S9	S8
	0146h	S23	S22	S21	S20	S19	S18	S17	S16
	0147h	S31	S30	S29	S28	S27	S26	S25	S24
COM2	0148h	S7	S6	S5	S4	S3	S2	S1	S0
	0149h	S15	S14	S13	S12	S11	S10	S9	S8
	014Ah	S23	S22	S21	S20	S19	S18	S17	S16
	014Bh	S31	S30	S29	S28	S27	S26	S25	S24
COM3	014Ch	S7	S6	S5	S4	S3	S2	S1	S0
	014Dh	S15	S14	S13	S12	S11	S10	S9	S8
	014Eh	S23	S22	S21	S20	S19	S18	S17	S16
	014Fh	S31	S30	S29	S28	S27	S26	S25	S24

LCD DRIVER (Cont'd)

Table 11. LCD Driver Register Map and Reset Values

Address (Hex.)	Register Label	7	6	5	4	3	2	1	0
0024h	LCDCR Reset Value	0	0	0	0	FS2 0	FS1 0	FS0 0	LCDE 0
0140h to 014Fh	LCDRAM Reset Value	Seg X COMi X	Seg X COMi X	Seg X COMi X	Seg X COMi X	Seg X COMi X	Seg X COMi X	Seg X COMi X	Seg X COMi X

5.5 SMARTCARD SUPPLY SUPERVISOR (SSS)

5.5.1 Introduction

The Smartcard Supply Supervisor (SSS) allows the V_{SC_PWR} Smartcard supply to be switched on and off by software and protects the smartcard from overload.

In addition, the SSS supplies power to the I/O lines used to interface the smartcard. This means that no external components are needed for adapting the interface to the levels required for interfacing the smartcard, except a capacitor on the SC_PWR output.

5.5.2 Main Features

- Software power-on/off control
- Hardware cut-off in case of output current overload
- Grounded output level when turned-off
- Low consumption mode

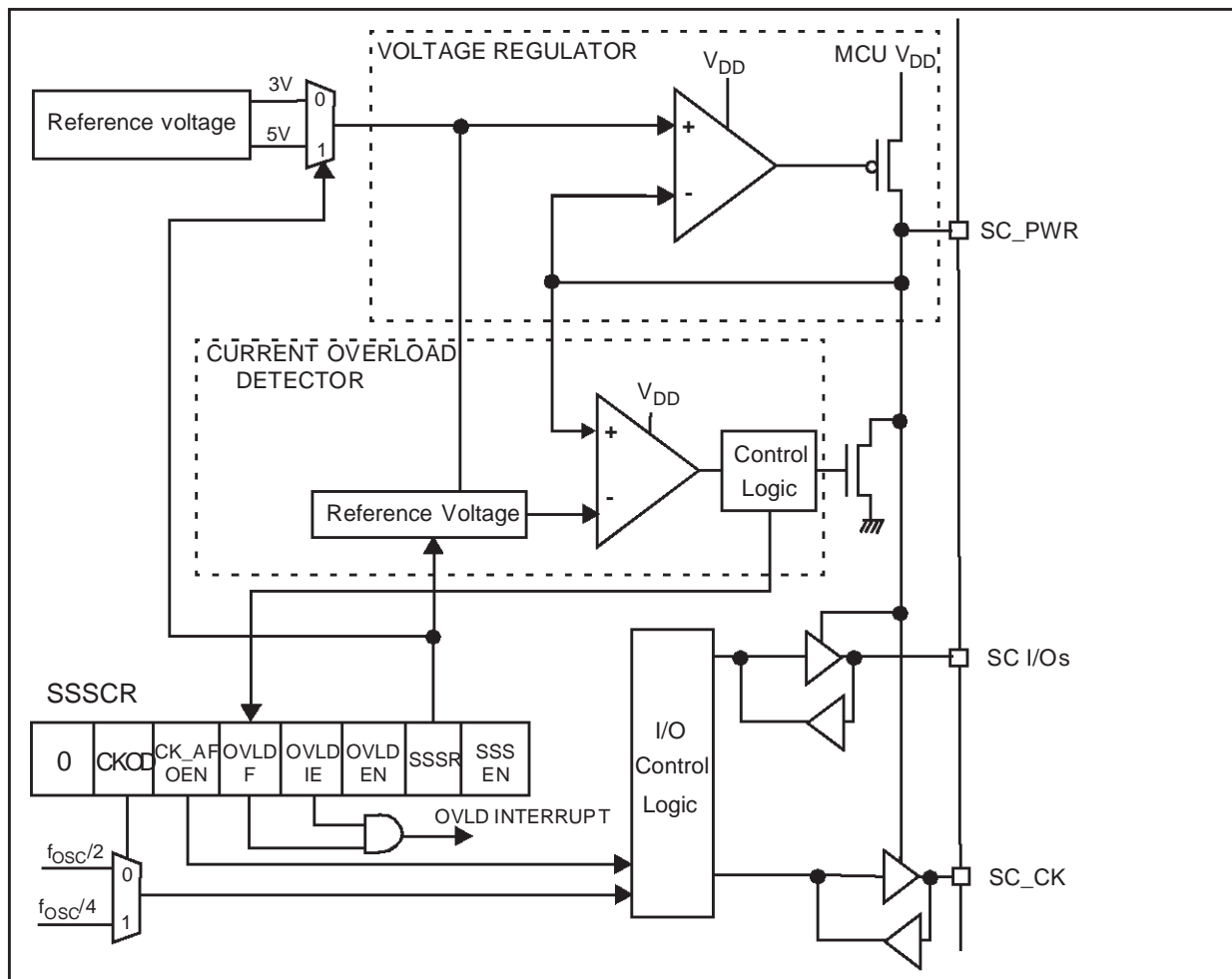
5.5.3 General description

The SSS generates the Smartcard SC_PWR supply from the MCU V_{DD} supply. When disabled, the regulator ties the output SC_PWR line to ground, and is placed in low power mode. At the same time, the interface I/O lines are also tied to ground.

In case of current overload on the output SC_PWR, the output level drops due to internal impedance of the regulator. The associated Current Overload detector switches-off the SC_PWR supply and sets a flag into the Status/Control Register.

Figure 50 shows the Smartcard Supply Supervisor (SSS) block diagram.

Figure 36. Smartcard Supply Supervisor (SSS) Block Diagram



SMARTCARD SUPPLY SUPERVISOR (Cont'd)

5.5.4 Functional Description

The core of the SSS is the internal reference voltage generator that is used for the output voltage level regulation and for the Current Overload detection.

Output regulation is achieved from the MCU VDD with a follower transistor used as output stage, associated to a feedback regulation.

Software control through the Status/Control register allows software to:

- Turn-on / turn-off the SSS
- Enable the overload detector
- Enable interrupt in case of overload

Smartcard Power Supply

When disabled, the whole SSS is stopped in order to achieve minimum consumption. The SC_PWR line is tied to ground, and the I/O lines supplied by SC_PWR, are also tied to ground.

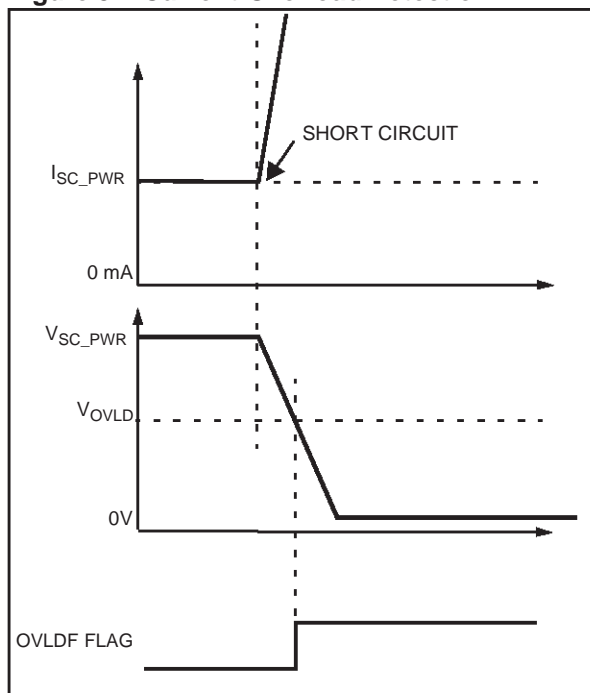
When the SSS module is enabled, the SC_PWR line provides a regulated voltage to the smartcard, and the I/O lines have a logic "1" level identical to the smartcard supply ensuring a safe interface.

Current Overload protection

When a current overload occurs on the SC_PWR supply output, SC_PWR level drop is detected by the Current Overload detector when enabled. As a consequence, the SSS is turned-off with the SC_PWR line tied to ground and the SSEN bit is cleared. On top of that, the OVLD flag is set into the Status/Control Register and an interrupt request can be initiated.

Note: The Current Overload detector must be enabled by setting OVLDEN bit only after setting the SSEN bit.

Figure 37. Current Overload Detection



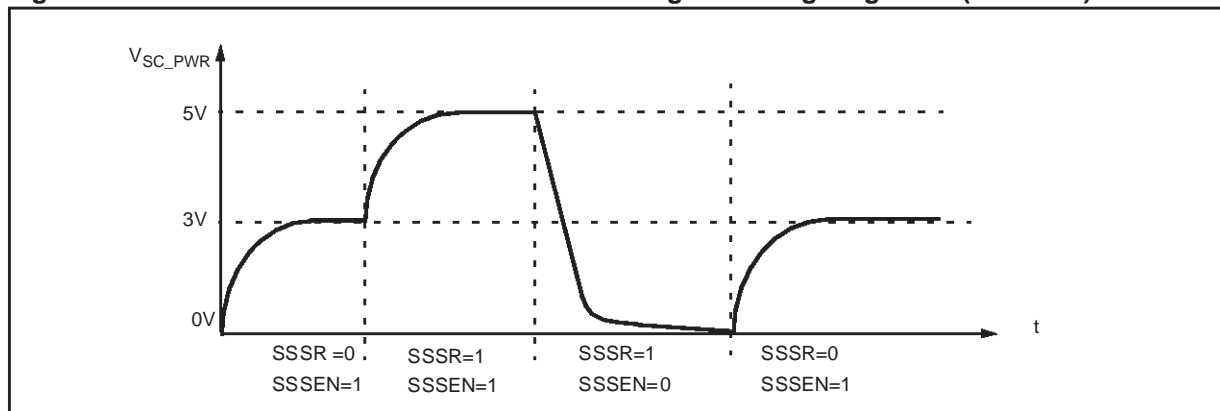
Switching SC_PWR from 3V to 5V output and vice versa

The usual (and safe) procedure is to test the card at 3V before selecting 5V output.

The application should avoid making a direct transition from 5V to 3V as a delay is required before the 3V level is reached (the delay depends on the external capacitor and card type).

For a controlled transition from 5V to 3V it is recommended to clear the SSEN bit to tie the SC_PWR to ground before enabling 3V output. See Figure 52.

Figure 38. Recommended transitions when switching the voltage regulator (SSSR bit).



SMARTCARD SUPPLY SUPERVISOR (Cont'd)

5.5.5 Register Description

CONTROL/STATUS REGISTER (SSSCR)

Read/Write

Reset Value: 0000 0000 (00h)

7	6	5	4	3	2	1	0
0	CKOD	CK_A FOEN	OV- LDF	OV- LDIE	OV- LDEN	SSSR	SS- SEN

Bit 7 = Reserved, forced by hardware to 0.

Bit 6 = CKOD Clock output division

This bit is set and cleared by software. It selects the frequency division factor of the SC_CK output clock.

- 0: SC_CK clock output frequency = $f_{osc} / 2$.
- 1: SC_CK clock output frequency = $f_{osc} / 4$.

Bit 5 = CK_AFOEN Clock AF output enable

This bit is set and cleared by software.
 0: The SC_CK alternate function is disabled. The I/O port is free for general purpose I/O.
 1: The SC_CK alternate function is enabled. The clock is output on the I/O port.

Bit 4 = OVLDF Overload flag

This bit is set by hardware when the SC_PWR output voltage drops due to current overload. It is set when a falling edge is detected on SC_PWR and

when SC_PWR is under the Overload Voltage Level. This bit can only be cleared by software.

- 0: No Current Overload
- 1: Current Overload

Bit 3 = OVLDFIE Overload interrupt enable

This bit is set and cleared by software.
 0: OVLDF interrupt disabled.
 1: OVLDF interrupt enabled.

Bit 2 = OVLDFEN Current overload detector enable

This bit is set and cleared by software. This bit must be set only when SSSSEN = 1.
 0: Current Overload Detection disabled.
 1: Current Overload Detection enabled.

Bit 1 = SSSSR Smartcard supply regulation

This bit is set and cleared by software. Refer to Figure 52 for recommended transitions.
 0: The regulation voltage output is 3V.
 1: The regulation voltage output is 5V.

Bit 0 = SSSSEN SSS module enable

This bit can only be set by software. It can be cleared by software. It is cleared by hardware when OVLDF=1 (current overload condition).
 0: SSS is disabled.
 1: SSS is enabled.

SMARTCARD SUPPLY SUPERVISOR (Cont'd)

Table 12. SSSCR Register Map and Reset Values

Address (Hex.)	Register Name	7	6	5	4	3	2	1	0
0025h	SSSCR Reset Value	0	CKD 0	CK_AFOEN 0	OVLDF 0	OVLDIR 0	OVLDIR 0	SSSR 0	SSSEN 0

6 INSTRUCTION SET

6.1 ST7 ADDRESSING MODES

The ST7 Core features 17 different addressing modes which can be classified in 7 main groups:

Addressing Mode	Example
Inherent	nop
Immediate	ld A,#\$55
Direct	ld A,\$55
Indexed	ld A,(\$55,X)
Indirect	ld A,([\$55],X)
Relative	jrne loop
Bit operation	bset byte,#5

The ST7 Instruction set is designed to minimize the number of bytes required per instruction: To do

so, most of the addressing modes may be subdivided in two sub-modes called long and short:

- Long addressing mode is more powerful because it can use the full 64 Kbyte address space, however it uses more bytes and more CPU cycles.
- Short addressing mode is less powerful because it can generally only access page zero (0000h - 00FFh range), but the instruction size is more compact, and faster. All memory to memory instructions use short addressing modes only (CLR, CPL, NEG, BSET, BRES, BTJT, BTJF, INC, DEC, RLC, RRC, SLL, SRL, SRA, SWAP)

The ST7 Assembler optimizes the use of long and short addressing modes.

Table 13. ST7 Addressing Mode Overview

Mode		Syntax	Destination/Source	Pointer Address (Hex.)	Pointer Size (Hex.)	Length (Bytes)	
Inherent		nop				+ 0	
Immediate		ld A,#\$55				+ 1	
Short	Direct	ld A,\$10	00..FF			+ 1	
Long	Direct	ld A,\$1000	0000..FFFF			+ 2	
No Offset	Direct	Indexed	ld A,(X)	00..FF		+ 0 (with X register) + 1 (with Y register)	
Short	Direct	Indexed	ld A,(\$10,X)	00..1FE		+ 1	
Long	Direct	Indexed	ld A,(\$1000,X)	0000..FFFF		+ 2	
Short	Indirect		ld A,[\$10]	00..FF	00..FF	byte	+ 2
Long	Indirect		ld A,[\$10.w]	0000..FFFF	00..FF	word	+ 2
Short	Indirect	Indexed	ld A,([\$10],X)	00..1FE	00..FF	byte	+ 2
Long	Indirect	Indexed	ld A,([\$10.w],X)	0000..FFFF	00..FF	word	+ 2
Relative	Direct		jrne loop	PC-128/PC+127 ¹⁾		+ 1	
Relative	Indirect		jrne [\$10]	PC-128/PC+127 ¹⁾	00..FF	byte	+ 2
Bit	Direct		bset \$10,#7	00..FF		+ 1	
Bit	Indirect		bset [\$10],#7	00..FF	00..FF	byte	+ 2
Bit	Direct	Relative	btjt \$10,#7,skip	00..FF		+ 2	
Bit	Indirect	Relative	btjt [\$10],#7,skip	00..FF	00..FF	byte	+ 3

Note 1. At the time the instruction is executed, the Program Counter (PC) points to the instruction following JRxx.

ST7 ADDRESSING MODES (Cont'd)

6.1.1 Inherent

All Inherent instructions consist of a single byte. The opcode fully specifies all the required information for the CPU to process the operation.

Inherent Instruction	Function
NOP	No operation
TRAP	S/W Interrupt
WFI	Wait For Interrupt (Low Power Mode)
HALT	Halt Oscillator (Lowest Power Mode)
RET	Sub-routine Return
IRET	Interrupt Sub-routine Return
SIM	Set Interrupt Mask
RIM	Reset Interrupt Mask
SCF	Set Carry Flag
RCF	Reset Carry Flag
RSP	Reset Stack Pointer
LD	Load
CLR	Clear
PUSH/POP	Push/Pop to/from the stack
INC/DEC	Increment/Decrement
TNZ	Test Negative or Zero
CPL, NEG	1 or 2 Complement
MUL	Byte Multiplication
SLL, SRL, SRA, RLC, RRC	Shift and Rotate Operations
SWAP	Swap Nibbles

6.1.2 Immediate

Immediate instructions have two bytes, the first byte contains the opcode, the second byte contains the operand value.

Immediate Instruction	Function
LD	Load
CP	Compare
BCP	Bit Compare
AND, OR, XOR	Logical Operations
ADC, ADD, SUB, SBC	Arithmetic Operations

6.1.3 Direct

In Direct instructions, the operands are referenced by their memory address.

The direct addressing mode consists of two sub-modes:

Direct (short)

The address is a byte, thus requires only one byte after the opcode, but only allows 00 - FF addressing space.

Direct (long)

The address is a word, thus allowing 64 Kbyte addressing space, but requires 2 bytes after the opcode.

6.1.4 Indexed (No Offset, Short, Long)

In this mode, the operand is referenced by its memory address, which is defined by the unsigned addition of an index register (X or Y) with an offset.

The indirect addressing mode consists of three sub-modes:

Indexed (No Offset)

There is no offset, (no extra byte after the opcode), and allows 00 - FF addressing space.

Indexed (Short)

The offset is a byte, thus requires only one byte after the opcode and allows 00 - 1FE addressing space.

Indexed (long)

The offset is a word, thus allowing 64 Kbyte addressing space and requires 2 bytes after the opcode.

6.1.5 Indirect (Short, Long)

The required data byte to do the operation is found by its memory address, located in memory (pointer).

The pointer address follows the opcode. The indirect addressing mode consists of two sub-modes:

Indirect (short)

The pointer address is a byte, the pointer size is a byte, thus allowing 00 - FF addressing space, and requires 1 byte after the opcode.

Indirect (long)

The pointer address is a byte, the pointer size is a word, thus allowing 64 Kbyte addressing space, and requires 1 byte after the opcode.

ST7 ADDRESSING MODES (Cont'd)

6.1.6 Indirect Indexed (Short, Long)

This is a combination of indirect and short indexed addressing modes. The operand is referenced by its memory address, which is defined by the unsigned addition of an index register value (X or Y) with a pointer value located in memory. The pointer address follows the opcode.

The indirect indexed addressing mode consists of two sub-modes:

Indirect Indexed (Short)

The pointer address is a byte, the pointer size is a byte, thus allowing 00 - 1FE addressing space, and requires 1 byte after the opcode.

Indirect Indexed (Long)

The pointer address is a byte, the pointer size is a word, thus allowing 64 Kbyte addressing space, and requires 1 byte after the opcode.

Table 14. Instructions Supporting Direct, Indexed, Indirect and Indirect Indexed Addressing Modes

Long and Short Instructions	Function
LD	Load
CP	Compare
AND, OR, XOR	Logical Operations
ADC, ADD, SUB, SBC	Arithmetic Addition/subtraction operations
BCP	Bit Compare

Short Instructions Only	Function
CLR	Clear
INC, DEC	Increment/Decrement
TNZ	Test Negative or Zero
CPL, NEG	1 or 2 Complement
BSET, BRES	Bit Operations
BTJT, BTJF	Bit Test and Jump Operations
SLL, SRL, SRA, RLC, RRC	Shift and Rotate Operations
SWAP	Swap Nibbles
CALL, JP	Call or Jump subroutine

6.1.7 Relative mode (Direct, Indirect)

This addressing mode is used to modify the PC register value, by adding an 8-bit signed offset to it.

Available Relative Direct/Indirect Instructions	Function
JRxx	Conditional Jump
CALLR	Call Relative

The relative addressing mode consists of two sub-modes:

Relative (Direct)

The offset follows the opcode.

Relative (Indirect)

The offset is defined in memory, of which the address follows the opcode.

6.2 INSTRUCTION GROUPS

The ST7 family devices use an Instruction Set consisting of 63 instructions. The instructions may

be subdivided into 13 main groups as illustrated in the following table:

Load and Transfer	LD	CLR						
Stack operation	PUSH	POP	RSP					
Increment/Decrement	INC	DEC						
Compare and Tests	CP	TNZ	BCP					
Logical operations	AND	OR	XOR	CPL	NEG			
Bit Operation	BSET	BRES						
Conditional Bit Test and Branch	BTJT	BTJF						
Arithmetic operations	ADC	ADD	SUB	SBC	MUL			
Shift and Rotates	SLL	SRL	SRA	RLC	RRC	SWAP	SLA	
Unconditional Jump or Call	JRA	JRT	JRF	JP	CALL	CALLR	NOP	RET
Conditional Branch	JRxx							
Interrupt management	TRAP	WFI	HALT	IRET				
Code Condition Flag modification	SIM	RIM	SCF	RCF				

Using a pre-byte

The instructions are described with one to four bytes.

In order to extend the number of available opcodes for an 8-bit CPU (256 opcodes), three different prebyte opcodes are defined. These prebytes modify the meaning of the instruction they precede.

The whole instruction becomes:

PC-2 End of previous instruction
 PC-1 Prebyte
 PC opcode
 PC+1 Additional word (0 to 2) according to the number of bytes required to compute the effective address

These prebytes enable instruction in Y as well as indirect addressing modes to be implemented. They precede the opcode of the instruction in X or the instruction using direct addressing mode. The prebytes are:

PDY 90 Replace an X based instruction using immediate, direct, indexed, or inherent addressing mode by a Y one.

PIX 92 Replace an instruction using direct, direct bit, or direct relative addressing mode to an instruction using the corresponding indirect addressing mode.

It also changes an instruction using X indexed addressing mode to an instruction using indirect X indexed addressing mode.

PIY 91 Replace an instruction using X indirect indexed addressing mode by a Y one.

INSTRUCTION GROUPS (Cont'd)

Mnemo	Description	Function/Example	Dst	Src	H	I	N	Z	C
ADC	Add with Carry	A = A + M + C	A	M	H		N	Z	C
ADD	Addition	A = A + M	A	M	H		N	Z	C
AND	Logical And	A = A . M	A	M			N	Z	
BCP	Bit compare A, Memory	tst (A . M)	A	M			N	Z	
BRES	Bit Reset	bres Byte, #3	M						
BSET	Bit Set	bset Byte, #3	M						
BTJF	Jump if bit is false (0)	btjf Byte, #3, Jmp1	M						C
BTJT	Jump if bit is true (1)	btjt Byte, #3, Jmp1	M						C
CALL	Call subroutine								
CALLR	Call subroutine relative								
CLR	Clear		reg, M				0	1	
CP	Arithmetic Compare	tst(Reg - M)	reg	M			N	Z	C
CPL	One Complement	A = FFH-A	reg, M				N	Z	1
DEC	Decrement	dec Y	reg, M				N	Z	
HALT	Halt					0			
IRET	Interrupt routine return	Pop CC, A, X, PC			H	I	N	Z	C
INC	Increment	inc X	reg, M				N	Z	
JP	Absolute Jump	jp [TBL.w]							
JRA	Jump relative always								
JRT	Jump relative								
JRF	Never jump	jrf *							
JRIH	Jump if ext. interrupt = 1								
JRIL	Jump if ext. interrupt = 0								
JRH	Jump if H = 1	H = 1 ?							
JRNH	Jump if H = 0	H = 0 ?							
JRM	Jump if I = 1	I = 1 ?							
JRNM	Jump if I = 0	I = 0 ?							
JRMI	Jump if N = 1 (minus)	N = 1 ?							
JRPL	Jump if N = 0 (plus)	N = 0 ?							
JREQ	Jump if Z = 1 (equal)	Z = 1 ?							
JRNE	Jump if Z = 0 (not equal)	Z = 0 ?							
JRC	Jump if C = 1	C = 1 ?							
JRNC	Jump if C = 0	C = 0 ?							
JRULT	Jump if C = 1	Unsigned <							
JRUGE	Jump if C = 0	Jmp if unsigned >=							
JRUGT	Jump if (C + Z = 0)	Unsigned >							

INSTRUCTION GROUPS (Cont'd)

Mnemo	Description	Function/Example	Dst	Src	H	I	N	Z	C
JRULE	Jump if (C + Z = 1)	Unsigned <=							
LD	Load	dst <= src	reg, M	M, reg			N	Z	
MUL	Multiply	X,A = X * A	A, X, Y	X, Y, A	0				0
NEG	Negate (2's compl)	neg \$10	reg, M				N	Z	C
NOP	No Operation								
OR	OR operation	A = A + M	A	M			N	Z	
POP	Pop from the Stack	pop reg pop CC	reg CC	M M					
PUSH	Push onto the Stack	push Y	M	reg, CC	H	I	N	Z	C
RCF	Reset carry flag	C = 0							0
RET	Subroutine Return								
RIM	Enable Interrupts	I = 0				0			
RLC	Rotate left true C	C <= Dst <= C	reg, M				N	Z	C
RRC	Rotate right true C	C => Dst => C	reg, M				N	Z	C
RSP	Reset Stack Pointer	S = Max allowed							
SBC	Subtract with Carry	A = A - M - C	A	M			N	Z	C
SCF	Set carry flag	C = 1							1
SIM	Disable Interrupts	I = 1				1			
SLA	Shift left Arithmetic	C <= Dst <= 0	reg, M				N	Z	C
SLL	Shift left Logic	C <= Dst <= 0	reg, M				N	Z	C
SRL	Shift right Logic	0 => Dst => C	reg, M				0	Z	C
SRA	Shift right Arithmetic	Dst7 => Dst => C	reg, M				N	Z	C
SUB	Subtraction	A = A - M	A	M			N	Z	C
SWAP	SWAP nibbles	Dst[7..4] <=> Dst[3..0]	reg, M				N	Z	
TNZ	Test for Neg & Zero	tnz lbl1					N	Z	
TRAP	S/W trap	S/W interrupt				1			
WFI	Wait for Interrupt					0			
XOR	Exclusive OR	A = A XOR M	A	M			N	Z	

7 ELECTRICAL CHARACTERISTICS

7.1 ABSOLUTE MAXIMUM RATINGS

This product contains devices for protecting the inputs against damage due to high static voltages, however it is advisable to take normal precautions to avoid applying any voltage higher than the specified maximum rated voltages.

For proper operation it is recommended that V_I and V_O be higher than V_{SS} and lower than V_{DD} . Reliability is enhanced if unused inputs are connected to an appropriate logic voltage level (V_{DD} or V_{SS}).

Power Considerations. The average chip-junction temperature, T_J , in Celsius can be obtained from:

Where:

$$T_J = T_A + P_D \times R_{thJA}$$

T_A = Ambient Temperature.
 R_{thJA} = Package thermal resistance (junction-to ambient).
 $P_D = P_{INT} + P_{PORT}$.
 $P_{INT} = I_{DD} \times V_{DD}$ (chip internal power).
 P_{PORT} = Port power dissipation determined by the user)

Symbol	Ratings	Value	Unit
$V_{DD} - V_{SS}$	Supply voltage	7.0	V
V_{IN}	Input voltage	$V_{SS} - 0.3$ to $V_{DD} + 0.3$	V
V_{OUT}	Output voltage	$V_{SS} - 0.3$ to $V_{DD} + 0.3$	V
ESD	ESD susceptibility	3500	V
I_{VDD_i}	Total current into V_{DD_i} (source)	150	mA
I_{VSS_i}	Total current out of V_{SS_i} (sink)	150	

Note: Stresses above those listed as “absolute maximum ratings” may cause permanent damage to the device. This is a stress rating only and functional operation of the device at these conditions is not implied. Exposure to maximum rating conditions for extended periods may affect device reliability.

General Warning: Direct connection to V_{DD} or V_{SS} of the \overline{RESET} and I/O pins could damage the device in case of program counter corruption (due to unwanted change of the I/O configuration). To guarantee safe conditions, this connection has to be done through a typical 10K Ω pull-up or pull-down resistor.

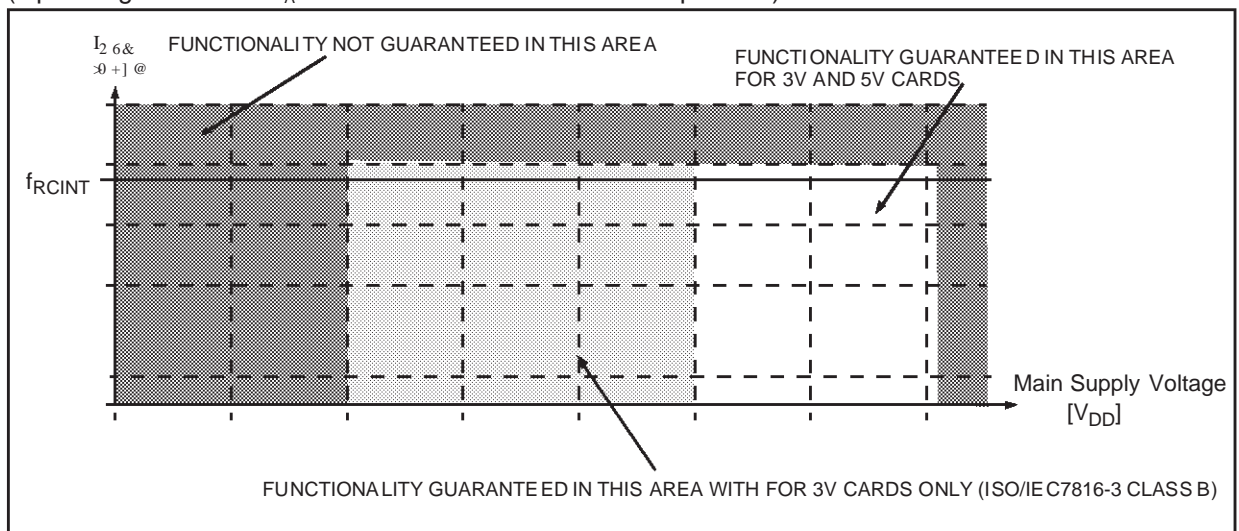
Thermal Characteristics

Symbol	Ratings	Value	Unit
R_{thJA}	Package thermal resistance TQFP64 EQFP64	60 N/A	$^{\circ}C/W$
T_{Jmax}	Max. junction temperature	150	$^{\circ}C$
T_{STG}	Storage temperature range	-65 to +150	$^{\circ}C$
PD	Power dissipation	500	mW

7.2 RECOMMENDED OPERATING CONDITIONS

GENERAL						
Symbol	Parameter	Conditions	Min	Typ	Max	Unit
V _{DD}	Supply voltage	see Figure 39	4.0		6.6	V
f _{RCINT}	Internal oscillator frequency		7.16 ±25%			MHz
f _{OSC}	External clock source		>0		8	
T _A	Ambient temperature range		0		70	°C

Figure 39. Maximum Operating Frequency (f_{OSC}) Versus Supply Voltage (V_{DD})
 (Operating conditions T_A = 0 to +70°C unless otherwise specified)



RECOMMENDED OPERATING CONDITIONS (Cont'd)

(Operating conditions $T_A = 0$ to $+70^\circ\text{C}$ unless otherwise specified)

CURRENT INJECTION ON I/O PORT AND CONTROL PINS						
Symbol	Parameter	Conditions	Min	Typ	Max	Unit
I_{INJ+}	Total positive injected current (1)	$V_{EXTERNAL} > V_{DD}$ (Standard I/Os) $V_{EXTERNAL} > V_{SC_PWR}$ (Smart card I/Os)			5*	mA
I_{INJ-}	Total negative injected current (2)	$V_{EXTERNAL} < V_{SS}$ Digital pins Analog pins			1.6 0.8	mA

Note 1: Positive injection

The I_{INJ+} is done through protection diodes insulated from the substrate of the die.

Note 2: For SC I/Os, V_{SC_PWR} has to be considered.

Note 3: Negative injection

– The I_{INJ-} is done through protection diodes NOT INSULATED from the substrate of the die. The drawback is a small leakage (few μA) induced inside the die when a negative injection is performed. This leakage is tolerated by the digital structure, but it acts on the analog line according to the impedance versus a leakage current of few μA (if the MCU has an AD converter). The effect depends on the pin which is submitted to the injection. Of course, external digital signals applied to the component must have a maximum impedance close to $50\text{K}\Omega$.

Location of the negative current injection:

– Pure digital pins can tolerate 1.6mA. In addition, the best choice is to inject the current as far as possible from the analog input pins.

General Note: When several inputs are submitted to a current injection, the maximum I_{INJ} is the sum of the positive (resp. negative) currents (instantaneous values).

RECOMMENDED OPERATING CONDITIONS (Cont'd)(T_A=0 to +70°C, V_{DD}-V_{SS}=6V unless otherwise specified)

Symbol	Parameter	Conditions	Min	Typ.	Max	Unit
I _{DD}	Supply current in RUN mode ¹⁾	f _{OSC} = 8 MHz		3	6	mA
	Supply current in SLOW mode ¹⁾			0.4		mA
	Supply current in WAIT mode ²⁾			0.6		mA
	Supply current in SLOW WAIT mode ³⁾			0.3		mA
	Supply current in HALT mode, LVD enabled. ⁴⁾	I _{LOAD} = 0mA		300		μA
	Supply current in HALT mode LVD disabled. ⁴⁾			0		μA

Notes:

- CPU running with memory access, all I/O pins in input mode with a static value at V_{DD} or V_{SS}; clock input (OSC1) driven by external square wave, LVD enabled.
- All I/O pins in input mode with a static value at V_{DD} or V_{SS}; clock input (OSC1) driven by external square wave, LVD enabled.
- WAIT Mode with SLOW Mode selected, LVD enabled. Based on characterisation results, not tested.
- All I/O pins in input mode with a static value at V_{DD} or V_{SS}, I/O PORT CHARACTERISTICS

T = 0... +70°C, voltages are referred to V_{SS} unless otherwise specified:

I/O PORT PINS						
Symbol	Parameter	Conditions	Min	Typ	Max	Unit
V _{IL}	Input low level voltage				0.3xV _{DD}	V
V _{IH}	Input high level voltage		0.7xV _{DD}			
V _{HYS}	Schmitt trigger voltage hysteresis *			400		mV
V _{OL}	Output low level voltage for Standard I/O port pins	I = -5mA			1.3	V
		I = -2mA			0.4	
V _{OH}	Output high level voltage	I = 5mA	V _{DD} -1.3			
		I = 2mA	V _{DD} -0.4			
I _L	Input leakage current	V _{SS} < V _{PIN} < V _{DD}			1	μA
I _{SV}	Static current consumption	Floating input mode			200	
R _{PU}	Pull-up equivalent resistor	V _{IN} > V _{IH} V _{IN} < V _{IL}	20 60	40 120	80 240	KΩ
R _{PD}	Pull-down equivalent resistor (PB6)	V _{IN} > V _{IH} V _{IN} < V _{IL}	20 60	40 120	80 240	KΩ
t _{OHL}	Output high to low level fall time for Standard I/O port pins	C _I =50pF	14.8	25	45.6	ns
	Output high to low level fall time for high sink I/O port pins		TBD	TBD	TBD	
t _{OLH}	Output L-H rise time	C _I =50pF	14.4	25	45.9	
t _{ITEXT}	External interrupt pulse time		1			t _{CPU}

* **Note:** Hysteresis voltage between Schmitt trigger switching levels. Based on characterisation results, not tested.

7.3 SUPPLY, RESET AND CLOCK CHARACTERISTICS

(T = 0 to +70°C, V_{DD} - V_{SS} = 6 V unless otherwise specified.)

LOW VOLTAGE DETECTOR AND SUPERVISOR (LVDS)						
Symbol	Parameter	Conditions	Min	Typ	Max	Unit
V _{IT+}	Reset release threshold (V _{DD} rising)			3.7		V
V _{IT-}	Reset generation threshold (V _{DD} falling)			3.2		V
V _{hys}	Hysteresis V _{IT+} - V _{IT-}			500*		mV

Note *: the V_{hys} hysteresis is constant.

RESET SEQUENCE MANAGER (RSM)						
Symbol	Parameter	Conditions	Min	Typ	Max	Unit
R _{ON}	Reset weak pull-up resistance	V _{IN} > V _{IH} V _{IN} < V _{IL}	20 60	40 120	80 240	kΩ
t _{PULSE}	External $\overline{\text{RESET}}$ pin Pulse time		20			μs

7.4 TIMING CHARACTERISTICS

(Operating conditions T_A = 0 to +70°C unless otherwise specified)

Symbol	Parameter	Conditions	Min	Typ	Max	Unit
t _{INST}	Instruction time		2		12	t _{CPU}
t _{IRT}	Interrupt reaction time	t _{IRT} = Δt _{INST} + 10*	10		22	t _{CPU}

* Δt_{INST} is the number of t_{CPU} to finish the current instruction execution.

7.5 MEMORY CHARACTERISTICS

Subject to general operating conditions for V_{DD} , f_{OSC} , and T_A unless otherwise specified.

7.5.1 RAM and Hardware Registers

Symbol	Parameter	Conditions	Min	Typ	Max	Unit
V_{RM}	Data retention mode ¹⁾	HALT mode (or RESET)	1.6			V

7.5.2 FLASH Program Memory

Symbol	Parameter	Conditions	Min	Typ	Max	Unit
t_{prog}	Programming time for 1~16 bytes ²⁾	$T_A=+25^{\circ}C$		8	25	ms
	Programming time for 4 KBytes	$T_A=+25^{\circ}C$		2.1	6.4	sec
t_{ret}	Data retention ⁴⁾	$T_A=+55^{\circ}C$ ³⁾	20			years
N_{RW}	Write erase cycles ⁴⁾	$T_A=+25^{\circ}C$	100			cycles

Notes:

1. Minimum V_{DD} supply voltage without losing data stored in RAM (in in HALT mode or under RESET) or in hardware registers (only in HALT mode). Guaranteed by construction, not tested in production.
2. Up to 16 bytes can be programmed at a time for a 4kBytes FLASH block
3. The data retention time increases when the T_A decreases.
4. Data based on reliability test results and monitored in production.

7.6 LCD ELECTRICAL CHARACTERISTICS

Absolute Maximum Ratings (Voltage Referenced to V_{SS})

Note: Electrical simulations on design database and product characterization will be done over [0 to $+70^{\circ}C$] temperature range.

Symbol	Ratings	Value	Unit
V_{LCD}	Max. Display Voltage Note: $V_{LCD}=V_{DD}$	6.6	V
$I_{VDDP_i} - I_{VSSP_i}$	Total current into V_{DDP_i}/V_{SSP_i}	80/80	mA

($T = 0... +70^{\circ}C$, $V_{DD} - V_{SS} = 6V$ unless otherwise specified)

LCD DRIVER						
Symbol	Parameter	Conditions	Min ⁽²⁾	Typ ⁽²⁾	Max ⁽²⁾	Unit
f_{FR}	Frame frequency	$f_{RCINT}=7.16$ MHz	53		437	Hz
		$f_{OSC}=8$ MHz	61		488	Hz
V_{OS}	DC Offset Voltage ⁽¹⁾	$V_{LCD}=V_{DD}$ no load			50	mV
V_{COH}	COM High Level, Output Voltage	$I=100\mu A$, $V_{LCD}=5V$	4.5			V
V_{COL}	COM Low Level, Output Voltage	$I=50\mu A$, $V_{LCD}=5V$			0.5	V
V_{SOH}	SEG High Level, Output Voltage	$I=50\mu A$, $V_{LCD}=5V$	4.5			V
V_{SOL}	SEG Low Level, Output Voltage	$I=100\mu A$, $V_{LCD}=5V$			0.5	V
V_{LCD}	Display Voltage	$V_{LCD} = V_{DD}$	4.5		6.6	V
C_{LOAD}	LCD dot Load				50	pF

Notes:

- 1) The DC offset voltage refers to all segment and common outputs. It is the interface between the measured voltage value and nominal value for every voltage level. Ri of voltage meter must be greater than or equal to 10MW.
- 2) Target value to be confirmed after product characterisation.

7.7 SMARTCARD SUPPLY SUPERVISOR ELECTRICAL CHARACTERISTICS

($T_A = 0... +70^{\circ}C$, $V_{DD} - V_{SS} = 6\text{ V}$ unless otherwise specified)

SMARTCARD SUPPLY SUPERVISOR						
Symbol	Parameter	Conditions	Min	Typ	Max	Unit
SSS DRIVER bit SSR=1 : 5V regulator output (for IEC7816-3 Class A Cards)						
V_{SC_PWR}	SmartCard Power Supply Voltage	$V_{DD}-V_{SS}>V_{SC_PWR}+0.5V$	4.5	5.00	5.5	V
I_{SC}	SmartCard Supply Current	$V_{DD}-V_{SS} = 5.5V$, $V_{SC_PWR}=4.5V$			30	mA
		$V_{DD}-V_{SS} = 6V$, $V_{SC_PWR}=4.8V$			60	mA
$V_{OVL D}$	Voltage Drop Threshold on Current Overload	$V_{DD}-V_{SS} = 6V$, $R_{VDD}=0V$		3.85		V
SSS DRIVER bit SSR=0 : 3V regulator output (for IEC7816-3 Class B Cards)						
V_{SC_PWR}	SmartCard Power Supply Voltage		2.7	3.00	3.3	V
I_{SC}	SmartCard Supply Current	$V_{DD}-V_{SS} = 3.5V$			TBD	
		$V_{DD}-V_{SS} = 4.5V$			30	mA
		$V_{DD}-V_{SS} = 5V$			50	mA
$V_{OVL D}$	Voltage Drop Threshold on Current Overload	$V_{DD}-V_{SS} = 6V$, $R_{VDD}=0V$		2.4		V
T_{off}	V_{SC} Turn off Time	$C_{LOADmax}=20\mu F$			200	us
T_{on}	V_{SC} Turn on Time	$C_{LOADmax}=20\mu F$			200	us
Smart Card I/O Pins						
V_{IL}	Input Low Level Voltage		-	-	$0.3V_{SCPWR}$	V
V_{IH}	Input High Level Voltage		$0.7V_{SCPWR}$	-	-	V
V_{OL}	Output Low Level Voltage	$I=-2.6mA$	-	-	TBD	V
V_{OH}	Output High Level Voltage	$I=2.6mA$	TBD	-	-	V
I_L	Input Leakage Current	$V_{SS}<V_{IN}<V_{SC_PWR}$	-10	-	10	μA
I_{RPU}	Pull-up Equivalent Resistance	$V_{IN}=V_{SS}$	40	-	250	$K\Omega$
T_{OHL}	Output H-L Fall Time	$C_I=50pF$	-	30	-	ns
T_{OLH}	Output L-H Rise Time	$C_I=50pF$	-	30	-	ns

Figure 40. I_{SC} Load with 5V Regulator Output (for IEC7816-3 Class A Cards)

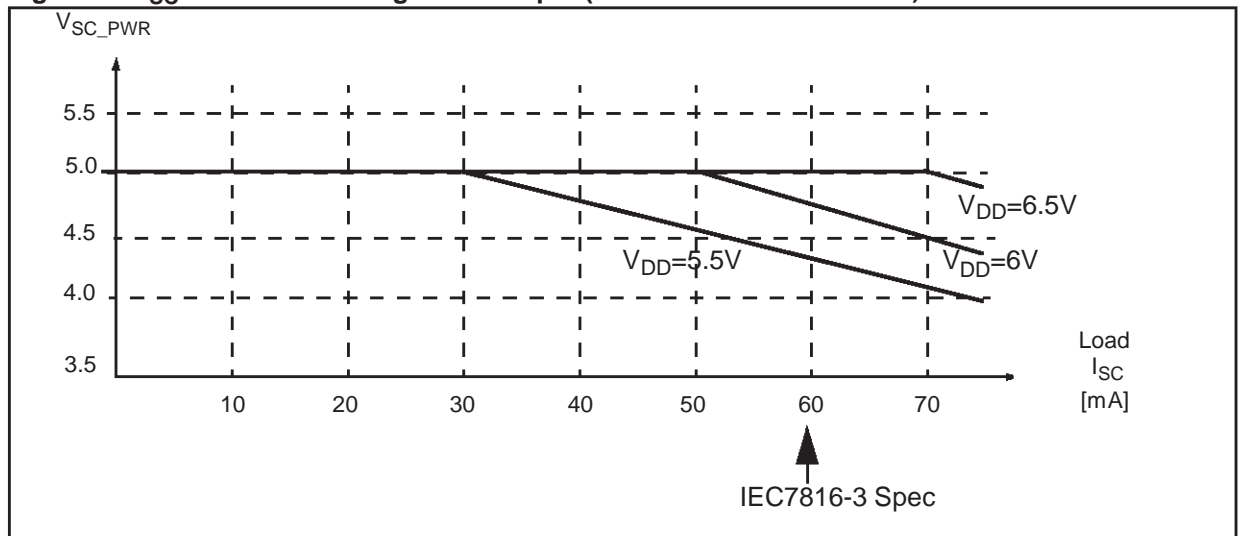
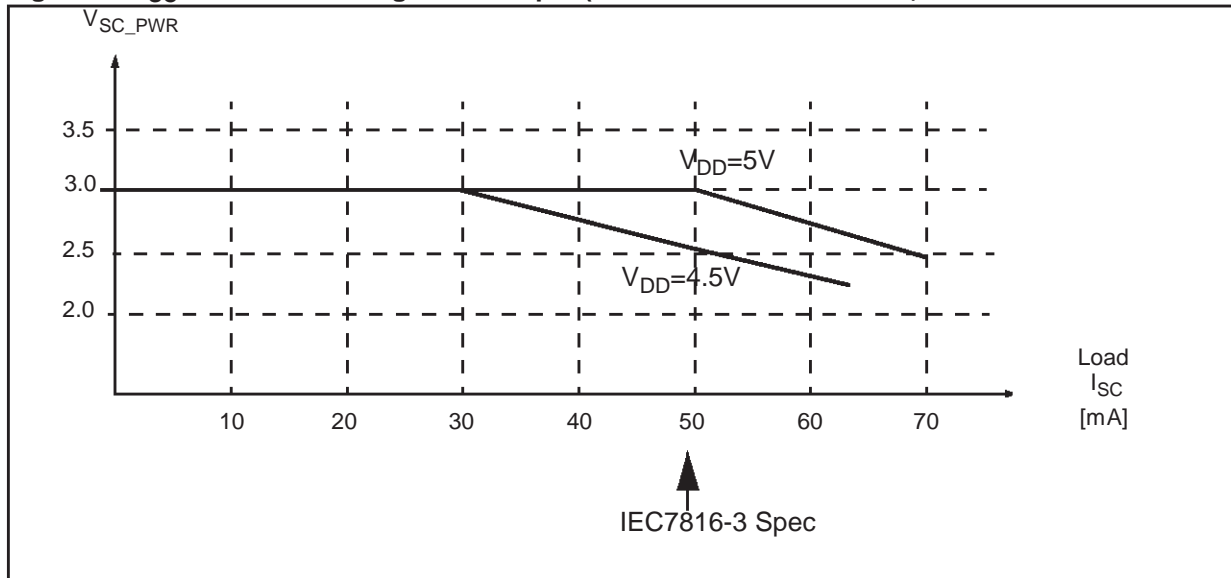


Figure 41. I_{SC} Load with 3V Regulator Output (for IEC7816-3 Class B Cards)

8 DEVICE CONFIGURATION

Each device is available for production in user programmable versions (FLASH) as well as in factory coded versions (ROM). FLASH devices are shipped to customers with a default content (FFh), while ROM factory coded parts contain the code supplied by the customer. This implies that FLASH devices have to be configured by the customer using the Option Bytes while the ROM devices are factory-configured.

8.1 OPTION BYTE

The option byte allows the hardware configuration of the microcontroller to be selected. The option bytes have no address in the memory map and can be accessed only in programming mode (for example using a standard ST7 programming tool). The default content of the FLASH is fixed to FFh. In masked ROM devices, the option bytes are

fixed in hardware by the ROM code (see option list).

Bit 7:1 = **Reserved**, must always be 1.

Bit 0 = **FMP** *Full memory protection*.

This option bit enables or disables external access to the internal program memory (read-out protection). Clearing this bit causes the erasing (to 00h) of the whole memory (including the option byte).

0: Program memory not read-out protected
 1: Program memory read-out protected

		OPTION BYTE							
		7							0
		Reserved							FMP
Default Value		1	1	1	1	1	1	1	0

9 GENERAL INFORMATION

9.1 PACKAGE MECHANICAL DATA

Figure 42. 64-Pin Thin Quad Flat Package

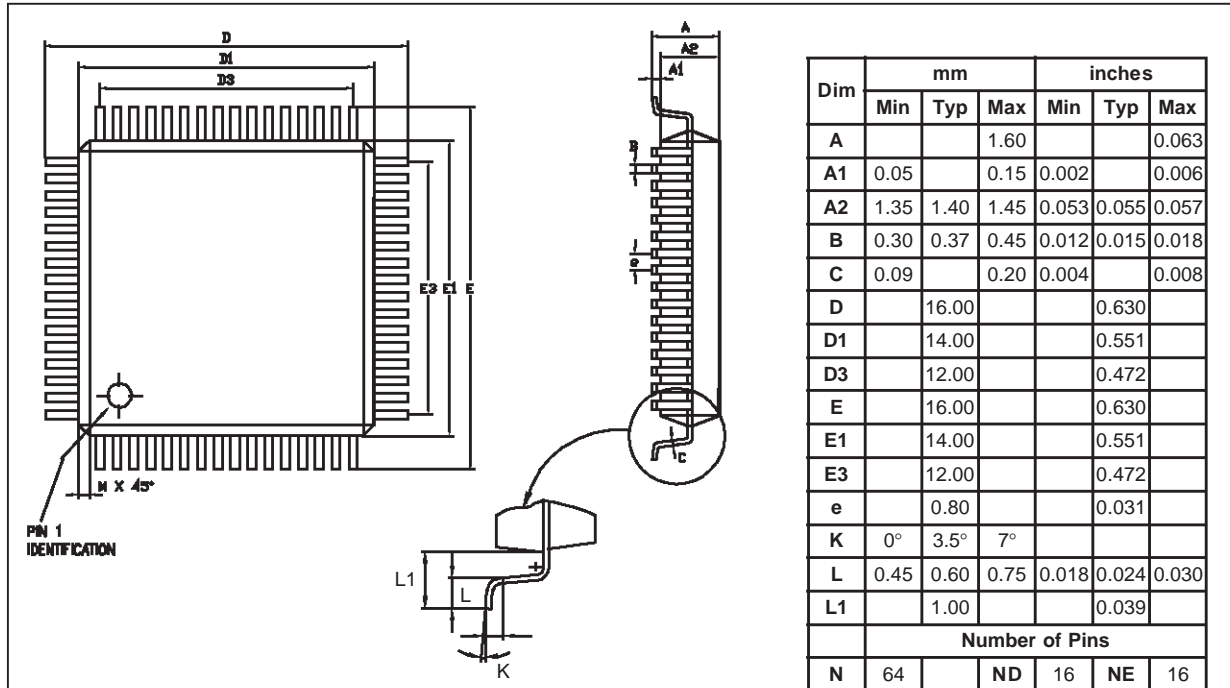
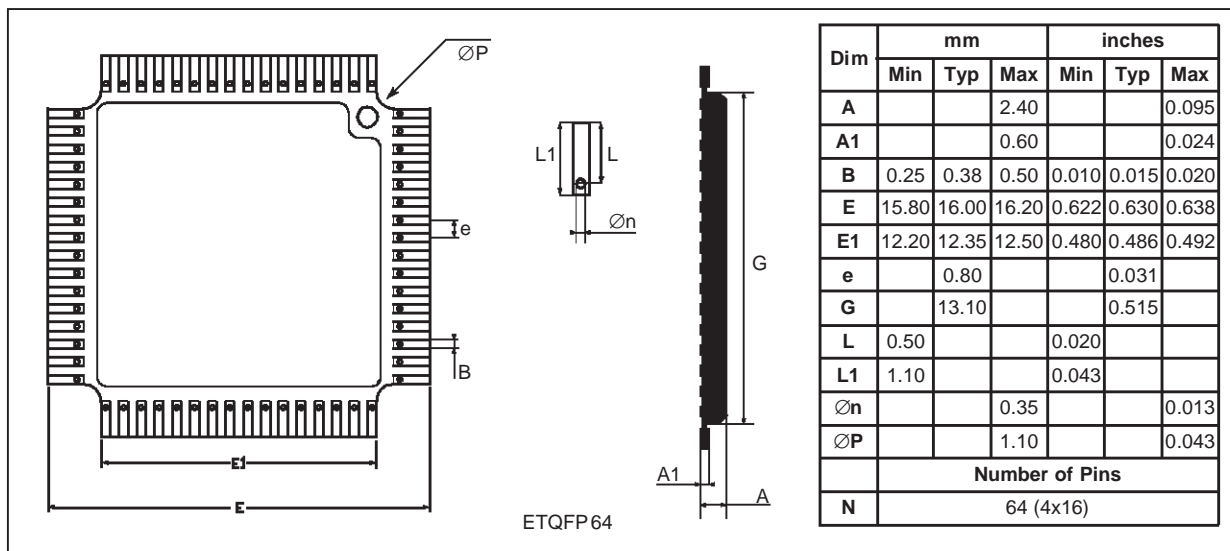


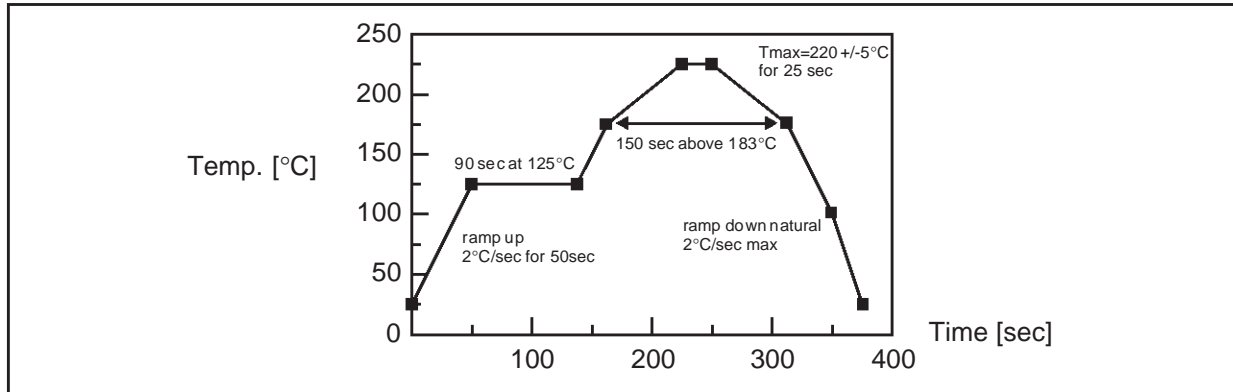
Figure 43. 64-Pin Epoxy Thin Quad Flat Package



Note: " QUALIFICATION OR VOLUME PRODUCTION OF DEVICES USING EPOXY PACKAGES (ESO/EDIL/EQFP) IS NOT AUTHORIZED It is expressly specified that qualification and/or volume production of devices using the package E.... in any applications is not authorized. Usage in any application is strictly restricted to development purpose. Similar devices are available in plastic package mechanically compatible to the epoxy package for qualification and volume production."

PACKAGE MECHANICAL DATA (Cont'd)

Figure 44. Recommended Reflow Oven Profile (MID JEDEC)

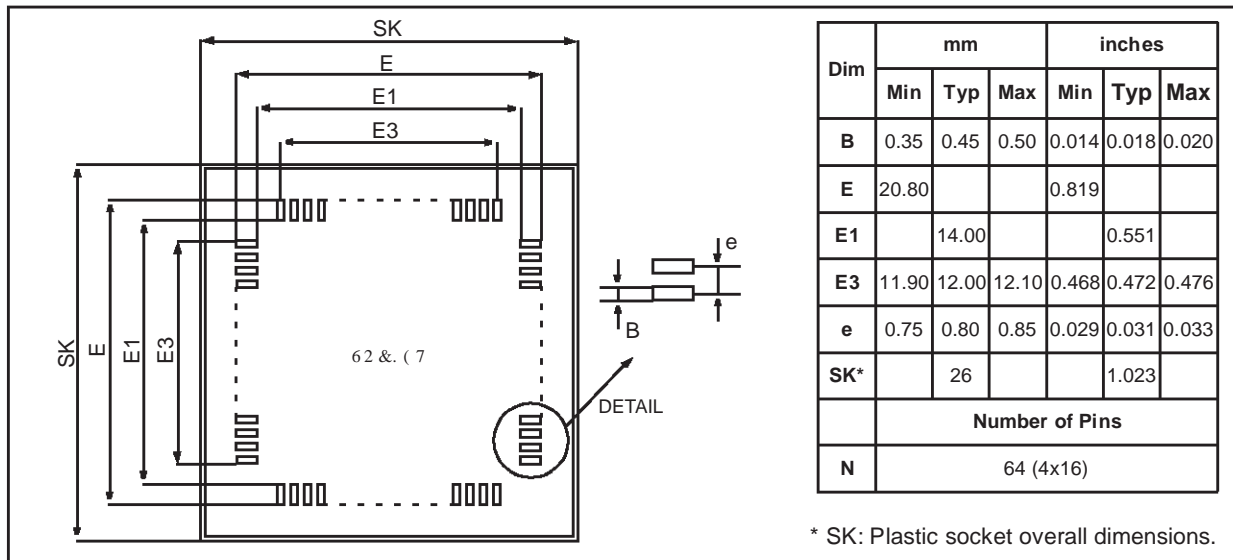


9.2 ADAPTOR / SOCKET PROPOSAL

To solder the (E)TQFP64 package or to plug the emulator probe, the application board should provide the footprint described in Figure 45. This footprint allows the following connexion configurations:

- Direct (E)TQFP64 soldering
- YAMAICHI IC149-064-008-S5* socket soldering to plug either the emulator probe or an adaptor board with an (E)TQFP64 clamshell socket delivered with the emulator.
* Not compatible with (E)TQFP64 package.

Figure 45. (E)TQFP64 device and emulation probe compatible footprint



9.3 DEVELOPMENT TOOLS

STMicroelectronics offers a range of hardware and software development tools for the ST7 microcontroller family. Full details of tools available for the ST7 from third party manufacturers can be obtained from the STMicroelectronics Internet site:

→ <http://mcu.st.com>.

Third Party Tools

- ACTUM
- BP
- COSMIC
- CMX
- DATA I/O
- HITEK
- HIWARE
- ISYSTEM
- KANDA
- LEAP

Tools from these manufacturers include C compilers, emulators and gang programmers.

STMicroelectronics Tools

Three types of development tool are offered by ST, all of them connect to a PC via a parallel (LPT) port: see Table 15 and Table 16 for more details.

Table 15. STMicroelectronic Tool Features

	In-Circuit Emulation	Programming Capability ¹⁾	Software Included
ST7 Development Kit	Yes. (Same features as HDS2 emulator but without logic analyzer)	Yes (DIP packages only)	ST7 CD ROM with: <ul style="list-style-type: none"> – ST7 Assembly toolchain – STVD7 and WGDB7 powerful Source Level Debugger for Win 3.1, Win 95 and NT – C compiler demo versions – ST Realizer for Win 3.1 and Win 95. – Windows Programming Tools for Win 3.1, Win 95 and NT
ST7 HDS2 Emulator	Yes, powerful emulation features including trace/ logic analyzer	No	
ST7 Programming Board	No	Yes (All packages)	

Table 16. Dedicated STMicroelectronics Development Tools

Supported Products	ST7 HDS2 Emulator	ST7 Programming Board
ST72411, ST72C411	ST7MDT7-EMU2B	ST7MDT7-EPB2/EU ST7MDT7-EPB2/US ST7MDT7-EPB2/UK

Note:

1. In-Situ Programming (ISP) interface for FLASH devices.

9.4 ST7 APPLICATION NOTES

Identification	Description
PROGRAMMING AND TOOLS	
AN985	Executing code in ST7 RAM
AN986	Using the ST7 indirect addressing mode
AN987	ST7 in-circuit programming
AN988	Starting with ST7 assembly tool chain
AN989	Starting with ST7 Hiware C
AN1039	ST7 math utility routines
AN1064	Writing optimized hiware C language for ST7
AN1179	Programming ST7 Flash Microcontrollers in Remote ISP Mode (In-Situ Programming)
EXAMPLE DRIVERS	
AN969	ST7 SCI communication between the ST7 and a PC
AN970	ST7 SPI communication between the ST7 and E PROM
AN971	ST7 I C communication between the ST7 and E PROM
AN972	ST7 software SPI master communication
AN973	SCI software communication with a PC using ST72251 16-bit timer
AN974	Real time clock with the ST7 timer output compare
AN976	Driving a buzzer using the ST7 PWM function
AN979	Driving an analog keyboard with the ST7 ADC
AN980	ST7 keypad decoding techniques, implementing wake-up on keystroke
AN1017	Using the ST7 USB microcontroller
AN1041	Using ST7 PWM signal to generate analog output (sinusoid)
AN1042	ST7 routine for I C slave mode management
AN1044	Multiple interrupt sources management for ST7 MCUs
AN1045	ST7 software implementation of I C bus master
AN1047	Managing reception errors with the ST7 SCI peripheral
AN1048	ST7 software LCD driver
AN1048	ST7 timer PWM duty cycle switch for true 0% or 100% duty cycle
PRODUCT OPTIMIZATION	
AN982	Using ceramic resonators with the ST7
AN1014	How to minimize the ST7 power consumption
AN1070	ST7 checksum selfchecking capability
PRODUCT EVALUATION	
AN910	ST7 and ST9 performance benchmarking
AN990	ST7 benefits versus industry standard
AN1181	Electrostatic discharge sensitivity measurement
APPLICATION EXAMPLES	
AN1086	ST7 / ST10U435 CAN-Do solutions for car multiplexing

9.5 TO GET MORE INFORMATION

To get the latest information on this product please use the ST web server. → <http://mcu.st.com/>



10 SUMMARY OF CHANGES

Description of the changes between the current release of the specification and the previous one.

Revision	Main changes	Date
1.3	Changed section 3.1 on page 15 (LVDS, OPSD and PSS behaviour If OSC_SEL tied to V_{DD}) Added Figure 13	11-Nov-99
1.4	Added Electrical Characteristics section 7 on page 56. Added Figure 38 on page 47 to SSS chapter	25-Jan-00

10.1 DEVICE CONFIGURATION AND ORDERING INFORMATION

10.1.1 Transfer Of Customer Code

Customer code is made up of the ROM contents and the list of the selected options (if any). The ROM contents are to be sent on diskette, or by electronic means, with the hexadecimal file generated by the development tool. All unused bytes must be set to FFh.

The selected options are communicated to STMicroelectronics using the correctly completed OPTION LIST appended.

The STMicroelectronics Sales Organization will be pleased to provide detailed information on contractual points.

Figure 46. ROM Factory Coded Device Types

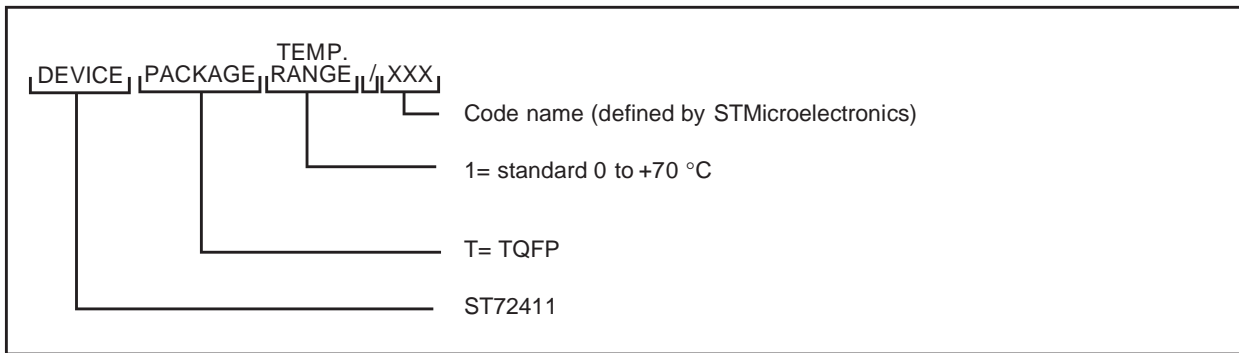
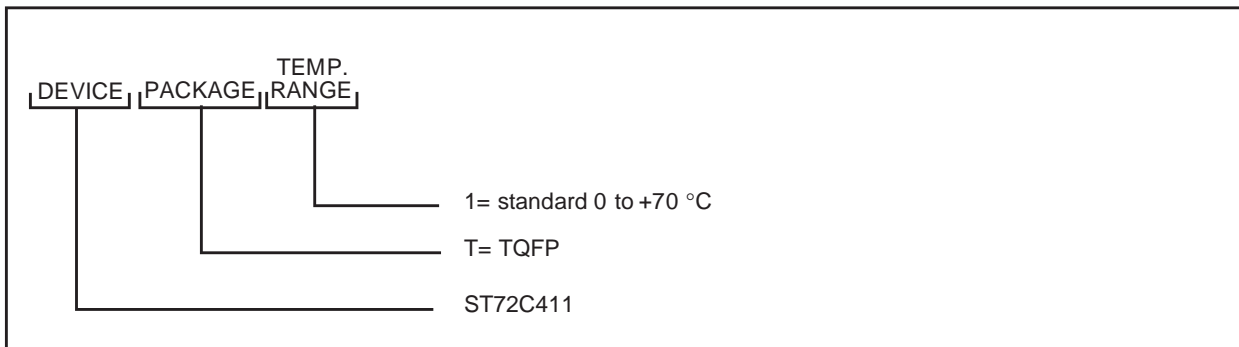


Figure 47. OTP User Programmable Device Types



Notes:

Information furnished is believed to be accurate and reliable. However, STMicroelectronics assumes no responsibility for the consequences of use of such information nor for any infringement of patents or other rights of third parties which may result from its use. No license is granted by implication or otherwise under any patent or patent rights of STMicroelectronics. Specifications mentioned in this publication are subject to change without notice. This publication supersedes and replaces all information previously supplied. STMicroelectronics products are not authorized for use as critical components in life support devices or systems without the express written approval of STMicroelectronics.

The ST logo is a registered trademark of STMicroelectronics

©2000 STMicroelectronics - All Rights Reserved.

Purchase of I²C Components by STMicroelectronics conveys a license under the Philips I²C Patent. Rights to use these components in an I²C system is granted provided that the system conforms to the I²C Standard Specification as defined by Philips.

STMicroelectronics Group of Companies

Australia - Brazil - China - Finland - France - Germany - Hong Kong - India - Italy - Japan - Malaysia - Malta - Morocco - Singapore - Spain
Sweden - Switzerland - United Kingdom - U.S.A.

<http://www.st.com>