



SD2918

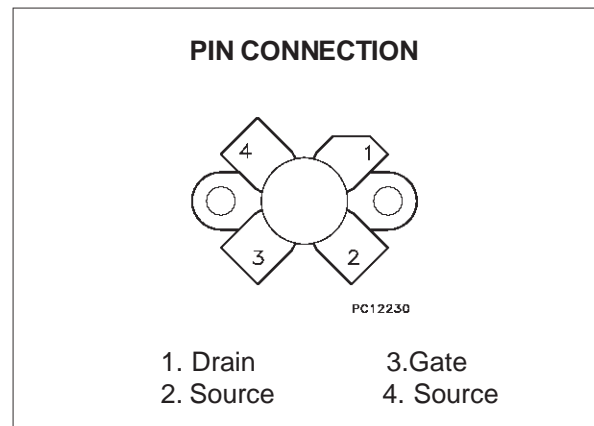
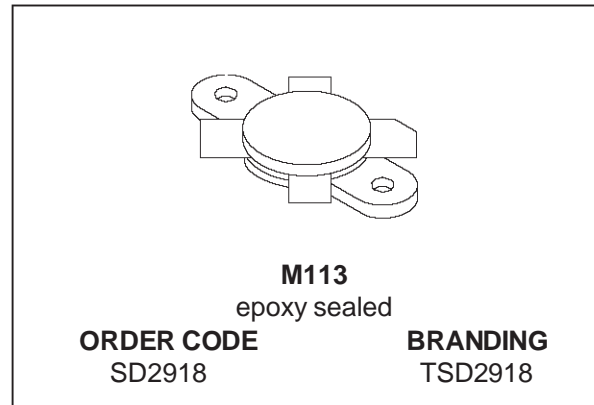
RF POWER TRANSISTORS HF/VHF/UHF N-CHANNEL MOSFETs

ADVANCE DATA

- GOLD METALLIZATION
- EXCELLENT THERMAL STABILITY
- COMMON SOURCE CONFIGURATION
- $P_{out} = 30 \text{ W}$ MIN. WITH 18 dB GAIN @ 30 MHz

DESCRIPTION

The SD2918 is a gold metallized N-Channel MOS field-effect RF power transistor. It is intended for use in 50 V DC large signal applications up to 200 MHz



ABSOLUTE MAXIMUM RATINGS ($T_{case} = 25 \text{ }^{\circ}\text{C}$)

Symbol	Parameter	Value	Unit
$V_{(BR)DSS}$	Drain Source Voltage	125	V
V_{DGR}	Drain-Gate Voltage ($R_{GS} = 1 \text{ M}\Omega$)	125	V
V_{GS}	Gate-Source Voltage	± 20	V
I_D	Drain Current	6	A
P_{DISS}	Power Dissipation	175	W
T_j	Max. Operating Junction Temperature	200	$^{\circ}\text{C}$
T_{STG}	Storage Temperature	-65 to 150	$^{\circ}\text{C}$

THERMAL DATA

$R_{th(j-c)}$	Junction-Case Thermal Resistance	1.0	$^{\circ}\text{C}/\text{W}$
$R_{th(c-s)}$	Case-Heatsink Thermal Resistance *	0.30	$^{\circ}\text{C}/\text{W}$

* Determined using a flat aluminum or copper heatsink with thermal compound applied (Dow Corning 340 or equivalent).

ELECTRICAL SPECIFICATION ($T_{case} = 25\text{ }^{\circ}\text{C}$)

STATIC

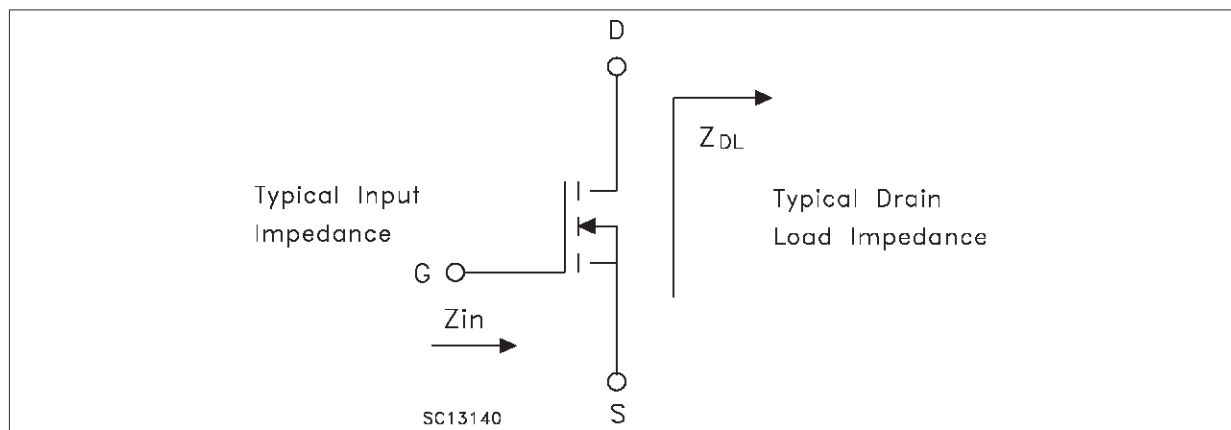
Symbol	Parameter			Min.	Typ.	Max.	Unit
$V_{(BR)DSS}$	$V_{GS} = 0V$	$I_{DS} = 10\text{ mA}$		125			V
I_{DSS}	$V_{GS} = 0V$	$V_{DS} = 50\text{ V}$				1.0	mA
I_{GSS}	$V_{GS} = 20V$	$V_{DS} = 0\text{ V}$				1	μA
$V_{GS(Q)}$	$V_{DS} = 10V$	$I_D = 10\text{ mA}$		1.0		5.0	V
$V_{DS(ON)}$	$V_{GS} = 10V$	$I_D = 2.5\text{ A}$				5.0	V
g_{FS}	$V_{DS} = 10V$	$I_D = 2.5\text{ A}$		0.8			mho
C_{ISS}	$V_{GS} = 0V$	$V_{DS} = 50\text{ V}$	$f = 1\text{ MHz}$		58		pF
C_{OSS}	$V_{GS} = 0V$	$V_{DS} = 50\text{ V}$	$f = 1\text{ MHz}$		35.5		pF
C_{RSS}	$V_{GS} = 0V$	$V_{DS} = 50\text{ V}$	$f = 1\text{ MHz}$		7.5		pF

REF. 1022497C

DYNAMIC

Symbol	Parameter				Min.	Typ.	Max.	Unit
P_{OUT}	$f = 30\text{MHz}$	$V_{DD} = 50V$	$P_{in} = 0.475\text{ W}$	$I_{DQ} = 100\text{ mA}$	30			W
G_{PS}	$f = 30\text{MHz}$	$V_{DD} = 50V$	$P_{out} = 30\text{ W}$	$I_{DQ} = 100\text{ mA}$	18	22		dB
η_D	$f = 30\text{MHz}$	$V_{DD} = 50V$	$P_{out} = 30\text{ W}$	$I_{DQ} = 100\text{ mA}$	50	55		%
Load Mismatch	$f = 30\text{MHz}$ All Angles	$V_{DD} = 50V$	$P_{out} = 30\text{ W}$	$I_{DQ} = 100\text{ mA}$	30:1			VSWR

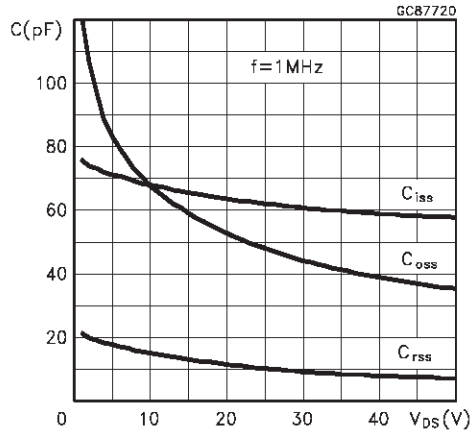
IMPEDANCE DATA



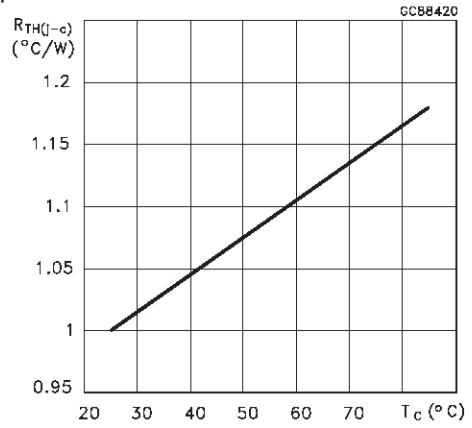
FREQ.	$Z_{IN} (\Omega)$	$Z_{DL} (\Omega)$
30 MHz	$24.4 - j 13.4$	$28.8 + j 7.2$

TYPICAL PERFORMANCE

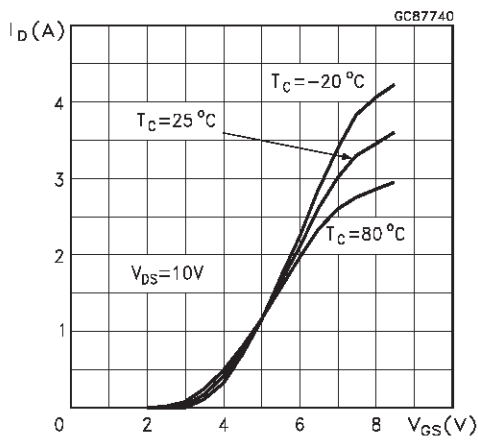
Capacitance vs Drain-Source Voltage



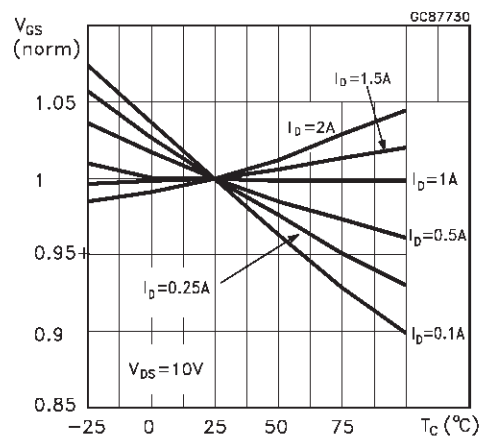
Maximum Thermal Resistance vs Case Temperature



Drain Current vs Gate Voltage

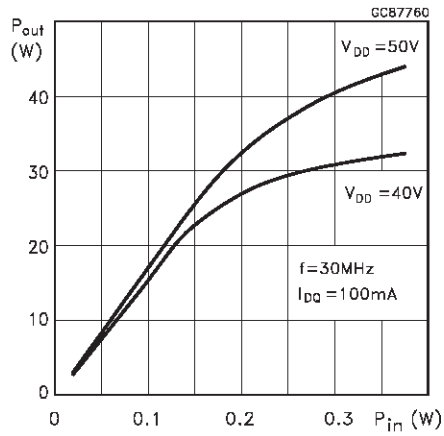


Gate-Source Voltages vs Case Temperature

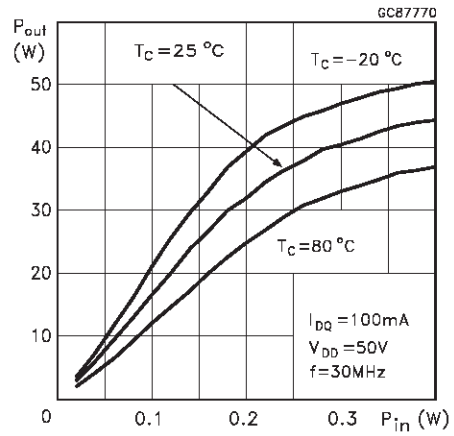


TYPICAL PERFORMANCE

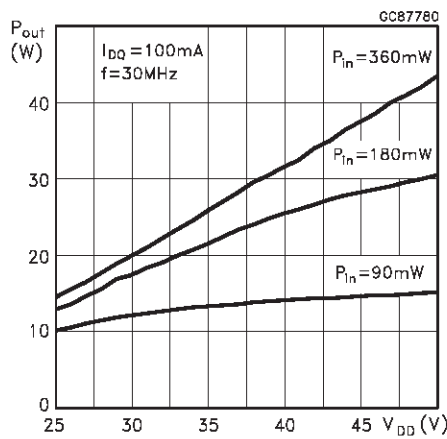
Output Power vs Input Power



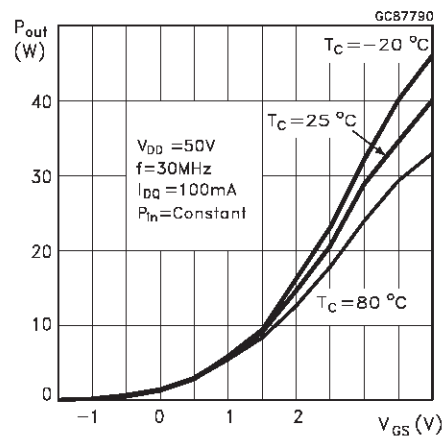
Output Power vs Input Power



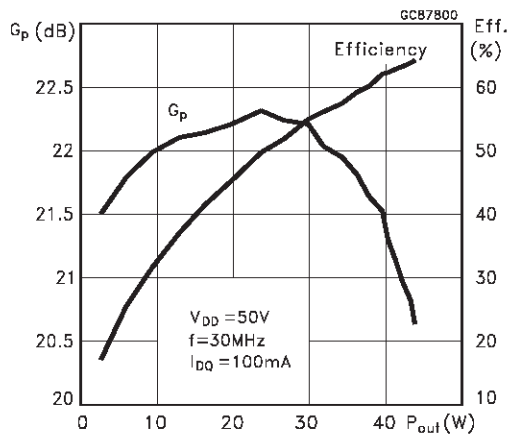
Output Power vs Voltage Supply



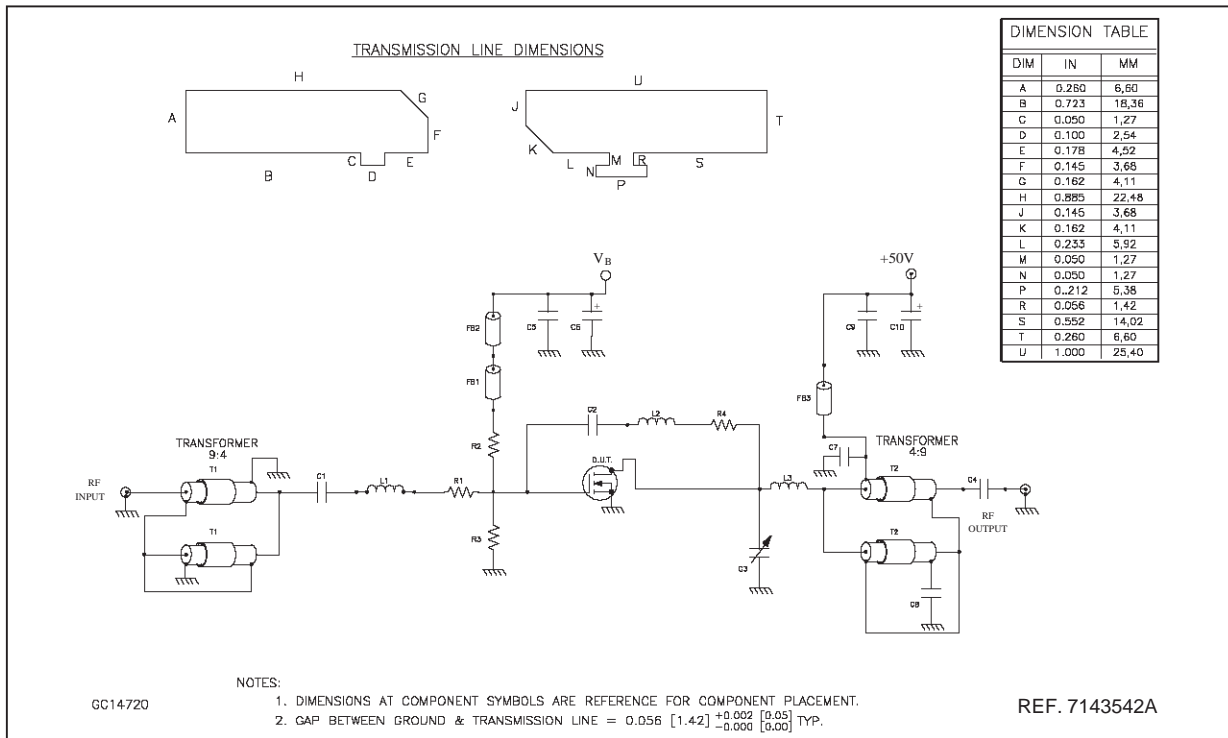
Output Power vs Gate Voltage



Power Gain & Efficiency vs Output Power



30 MHz Test Circuit Schematic



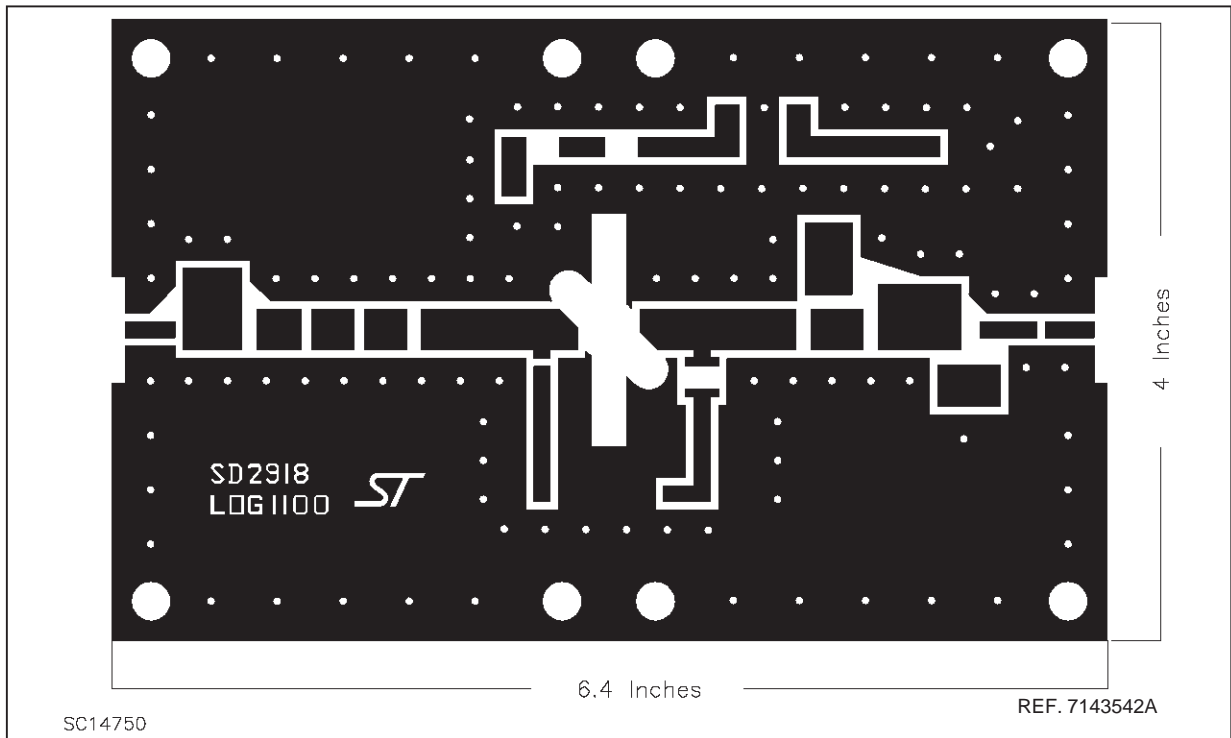
30 MHz Test Circuit Component Part List

COMPONENT	PART NO	VENDOR	DESCRIPTION
R4	CR2512-1W-101JB	VENKEL	100 OHM, 1W SURFACE MOUNT CHIP RESISTOR
R3	29SJ901	XICON	160 OHM, 1W CARBON FILM AXIAL-LEAD RESISTOR
R2	29SJ901	XICON	160 OHM, 1W CARBON FILM AXIAL-LEAD RESISTOR
R1	CR2512-1W-3R9JT	VENKEL	3.9 OHM, 1W SURFACE MOUNT CHIP RESISTOR
FB3	2843000102	FAIR-RITE CORP.	MULTI-APERATURE CORE
FB2	2743021447	FAIR-RITE CORP.	SHIELD BEAD SURFACE MOUNT EMI
FB1	2743021447	FAIR-RITE CORP.	SHIELD BEAD SURFACE MOUNT EMI
L3	8073	BELDEN	INDUCTOR, 3 TURNS AIR WOUND #14AWG, ID=0.375[9.53], POLY COATED MAGNET WIRE
L2	1557	ALPHA	INDUCTOR, 7 TURNS AROUND SHIELD BEAD (PT# FAIR-RITE 2643801102) #16AWG HOOK UP WIRE.
L1	8073	BELDEN	INDUCTOR, 4 TURNS AIR WOUND #14AWG, ID=0.375[9.53], POLY COATED MAGNET WIRE
C10	SKA100M160	MALLORY	10µF/160V AXIAL-LEAD ALUMINIUM ELECTROLYTIC CAPACITOR
C9	C1B12X7R501-103KNE	VENKEL	0.01µF/500V SURFACE MOUNT CERAMIC CHIP CAPACITOR
C8	C1B12X7R501-103KNE	VENKEL	0.01µF/500V SURFACE MOUNT CERAMIC CHIP CAPACITOR
C7	C1B12X7R501-103KNE	VENKEL	0.01µF/500V SURFACE MOUNT CERAMIC CHIP CAPACITOR
C6	RVS-50V100M-R	ELNA	10µF/50V VERTICAL SURFACE MOUNT CHIP ALUMINUM ELECTROLYTIC CAPACITOR
C5	C1B12X7R501-103KNE	VENKEL	0.01µF/500V SURFACE MOUNT CERAMIC CHIP CAPACITOR
C4	ATC200B103KW50X	ATC	10000pF ATC 200B SURFACE MOUNT CERAMIC CHIP CAPACITOR
C3	463	ARCO	20-180pF TYPE ST46 STANDARD 3 TURNS VARIABLE CAPACITOR
C2	ATC200B103KW50X	ATC	10000pF ATC 200B SURFACE MOUNT CERAMIC CHIP CAPACITOR
C1	ATC200B103KW50X	ATC	10000pF ATC 200B SURFACE MOUNT CERAMIC CHIP CAPACITOR
T2			TRANSFORMER, 4:9 75.0 OHM, O.D. 0.090 1" LG. COAXIAL CABLE STURNS AROUND SHIELD BEAD (PT#2643801002 FAIR-RITE CORP.)
T1			TRANSFORMER, 9:4 75.0 OHM, O.D. 0.090 1" LG. COAXIAL CABLE STURNS AROUND SHIELD BEAD (PT#2643801002 FAIR-RITE CORP.)
PCB	GD300M1026	ROGERS CORP	WOVEN FIBERGLASS REINFORCED PTFE 0.030" THK, εr = 2.55, 2 Oz ED Cu BOTH SIDES
COMPONENT	PART NO	VENDOR	DESCRIPTION

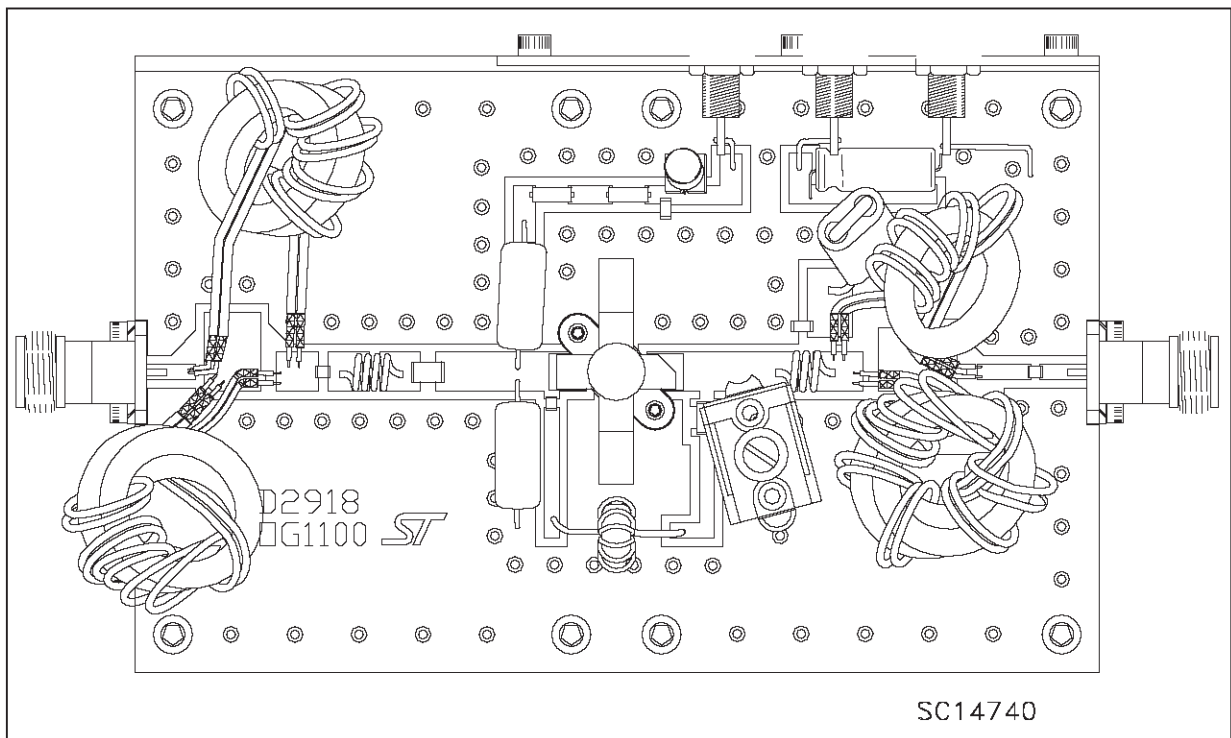
SC14730

SD2918

30 MHz Test Circuit Photomaster

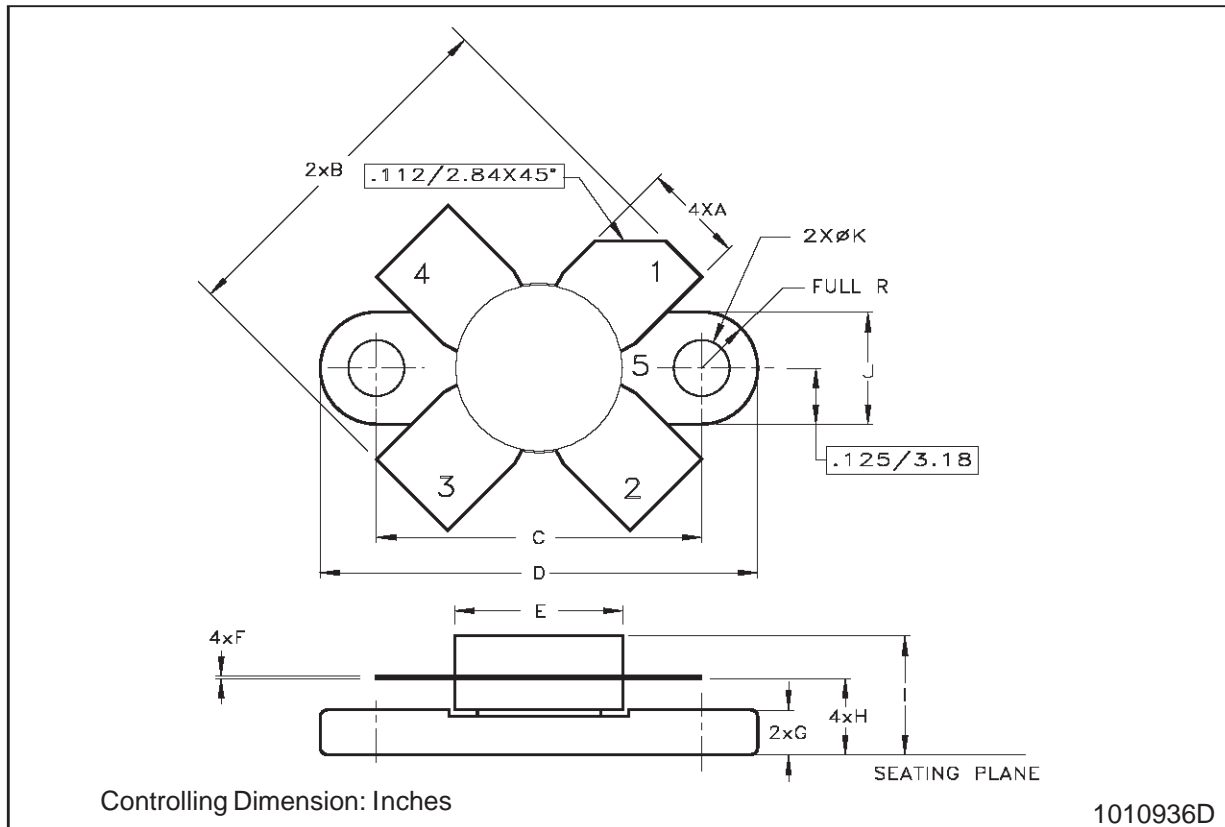


30 MHz Production Test Fixture



M113 (.380 DIA 4/L N/HERM W/FLG) MECHANICAL DATA

DIM.	mm			inch		
	MIN.	TYP.	MAX.	MIN.	TYP.	MAX.
A	5.59		5.84	0.220		0.230
B	19.81		20.83	0.780		0.820
C	18.29		18.54	0.720		0.730
D	24.64		24.89	0.970		0.980
E	9.40		9.78	0.370		0.385
F	0.10		0.15	0.004		0.006
G	2.16		2.67	0.085		0.105
H	4.06		4.57	0.160		0.180
I			7.14			0.281
J	6.22		6.48	0.245		0.255
K	3.05		3.30	0.120		0.130



Information furnished is believed to be accurate and reliable. However, STMicroelectronics assumes no responsibility for the consequences of use of such information nor for any infringement of patents or other rights of third parties which may result from its use. No license is granted by implication or otherwise under any patent or patent rights of STMicroelectronics. Specification mentioned in this publication are subject to change without notice. This publication supersedes and replaces all information previously supplied. STMicroelectronics products are not authorized for use as critical components in life support devices or systems without express written approval of STMicroelectronics.

The ST logo is a trademark of STMicroelectronics

© 1999 STMicroelectronics – Printed in Italy – All Rights Reserved

STMicroelectronics GROUP OF COMPANIES

Australia - Brazil - China - Finland - France - Germany - Hong Kong - India - Italy - Japan - Malaysia - Malta - Morocco - Singapore - Spain - Sweden - Switzerland - United Kingdom - U.S.A.

<http://www.st.com>