



**TS1871
TS1872
TS1874**

1.8V, INPUT/OUTPUT RAIL TO RAIL LOW POWER OPERATIONAL AMPLIFIERS

- OPERATING AT $V_{CC} = 1.8V$ to 6V
- RAIL TO RAIL INPUT & OUTPUT
- EXTENDED V_{icm} ($V_{ee} - 0.2V$ to $V_{CC} + 0.2V$)
- LOW SUPPLY CURRENT (400 μ A)
- GAIN BANDWIDTH PRODUCT (1.6MHz)
- HIGH STABILITY
- ESD TOLERANCE (2kV)
- LATCH-UP IMMUNITY (Class A)
- AVAILABLE IN SOT23-5 MICROPACKAGE

DESCRIPTION

The TS187x (Single, Dual & Quad) is operational amplifier able to operate with voltages as low as 1.8V and features both I/O Rail to Rail.

The common mode input voltage extends 200mV @ 25°C beyond the supply voltages while the output voltage swing is within 100mV of each Rail for a 600 Ω load resistor. This I/O Rail to Rail configuration gives the chance to the user to have the entire supply voltage range available. Offering 20mA min., 65mA typ. value and exhibiting an excellent speed-power ratio, 1.6MHz GBP & 400 μ A supply current, this Op-Amp is very well-suited for battery-supplied and portable applications.

Stability and minimum overshoot with capacitive loads is maintained by 53° typ. of phase margin with 100pF load capacitor @ 1.8V.

APPLICATIONS

- Battery-powered applications
- Portable communication devices (cell phone)
- Active filters
- Audio drivers
- Line drivers

ORDER CODES

Part Number	Temperature Range	Package				SOT23 Marking
		N	D	P	L	
TS1871I/AI	-40, +125°C		•		•	K171/172
TS1872I/AI	-40, +125°C	•	•	•		
TS1874I/AI	-40, +125°C	•	•	•		

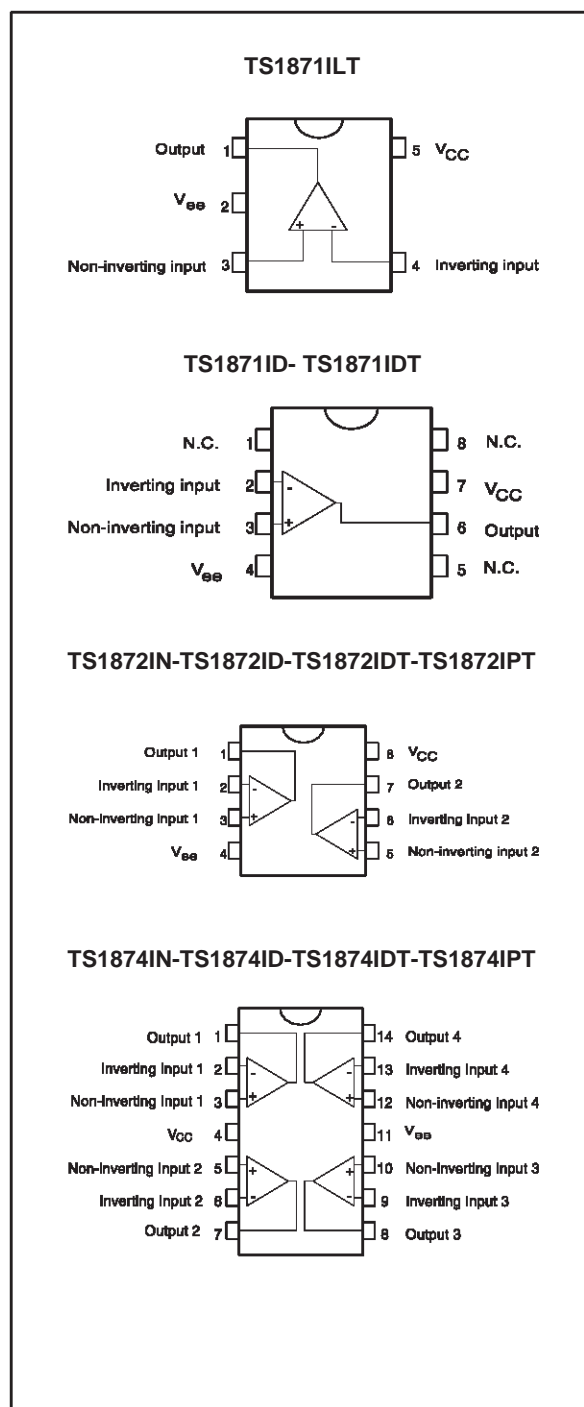
N = Dual in Line Package (DIP)

D = Small Outline Package (SO) - also available in Tape & Reel (DT)

P = Thin Shrink Small Outline Package (TSSOP) - only available in Tape & Reel (PT)

L = Tiny Package (SOT23-5) - only available in Tape & Reel (LT)

PIN CONNECTIONS (top view)



ABSOLUTE MAXIMUM RATINGS

Symbol	Parameter	Value	Unit
V_{CC}	Supply Voltage - note 1	7	V
V_{id}	Differential Input Voltage - note 2	-1	V
V_i	Input Voltage - note 3	-0.3 to $V_{CC} + 0.3$	V
T_{oper}	Operating Free Air Temperature Range	-40 to +125	°C
T_{stg}	Storage Temperature	-65 to +150	°C
T_j	Maximum Junction Temperature	150	°C
R_{thjc}	Thermal Resistance Junction to Case - note 4		°C/W
	SOT23-5	81	
	DIP8	42	
	DIP14	32	
	SO8	28	
	SO14	22	
	TSSOP8	26	
	TSSOP14	21	
R_{thja}	Thermal Resistance Junction to Ambient - SOT23-5	256	°C/W
ESD	Human Body Model	2	kV
	Latch-up Immunity	Class A	
	Lead Temperature (soldering, 10sec)	260	°C

- Notes :**
1. All voltage values, except differential voltage are with respect to network ground terminal.
 2. Differential voltages are the non-inverting input terminal with respect to the inverting terminal.
 3. The magnitude of input and output voltages must never exceed $V_{CC} + 0.3V$.
 4. Short-circuits can cause excessive heating. Destructive dissipation can result from simultaneous short-circuit on all amplifiers.

OPERATING CONDITIONS

Symbol	Parameter	Value	Unit
V_{CC}	Supply Voltage	1.8 to 6	V
V_{icm}	Common Mode Input Voltage Range - note1	$V_{ee} - 0.2$ to $V_{CC} + 0.2$	V
V_{icm}	Common Mode Input Voltage Range - note2	V_{ee} to V_{CC}	V

- Notes :**
1. At 25°C, for 1.8 ≤ V_{CC} ≤ 6V, V_{icm} is extended to $V_{ee} - 0.2V$, $V_{CC} + 0.2V$.
 2. In full temperature range, both Rails can be reached when V_{CC} does not exceed 5.5V

ELECTRICAL CHARACTERISTICS

$V_{CC} = +1.8V$, $V_{EE} = 0V$, $T_{amb} = 25^{\circ}C$ (unless otherwise specified)

Symbol	Parameter	Min.	Typ.	Max.	Unit
V_{io}	Input Offset Voltage TS1871/2/4 TS1871A/2A/4A		0.1	3 1	mV
DV_{io}	Input Offset Voltage Drift		2		mV/°C
I_{io}	Input Offset Current - note 1		3	28	nA
I_b	Input Bias Current - note 1		40	125	nA
CMR	Common Mode Rejection Ratio $0 \leq V_{icm} \leq V_{CC}$	55	77		dB
SVR	Supply Voltage Rejection Ratio $V_{icm} = 0.5V$	70	80		dB
A_{vd}	Large Signal Voltage Gain $R_L = 2kW$ $R_L = 600W$	77 70	92 85		dB
V_{OH}	High Level Output Voltage $R_L = 2kW$ $R_L = 600W$	1.65 1.62	1.77 1.74		V
V_{OL}	Low Level Output Voltage $R_L = 2kW$ $R_L = 600W$		88 115	110 150	mV
I_o	Output Source Current $V_{ID} = 100mV$, $V_o = V_{DD}$ Output Sink Current $V_{ID} = -100mV$, $V_o = V_{CC}$	20 20	65 65		mA
I_{CC}	Supply Current (per amplifier) AVCL = 1, no load		400	560	mA
GBP	Gain Bandwidth Product $R_L = 10kW$, $C_L = 100pF$, $f = 100kHz$	0.9	1.6		MHz
SR	Slew Rate $R_L = 10kW$, $C_L = 100pF$, $AV = 1$	0.38	0.54		V/ns
f m	Phase Margin $C_L = 100pF$		53		Degrees
en	Input Voltage Noise $f = 1kHz$		40		nV/ Hz
THD	Total Harmonic Distortion		0.01		%

Note : 1. Maximum values including unavoidable inaccuracies of the industrial test.

TS1871-TS1872-TS1874

ELECTRICAL CHARACTERISTICS

$V_{CC} = +3V$, $V_{EE} = 0V$, $T_{amb} = 25^{\circ}C$ (unless otherwise specified)

Symbol	Parameter	Min.	Typ.	Max.	Unit
V_{io}	Input Offset Voltage TS1871/2/4 TS1871A/2A/4A		0.1	3 1	mV
DV_{io}	Input Offset Voltage Drift		2		mV/°C
I_{io}	Input Offset Current - note 1		3	28	nA
I_{ib}	Input Bias Current - note 1		4	125	nA
CMR	Common Mode Rejection Ratio $0 \leq V_{icm} \leq V_{CC}$	60	80		dB
SVR	Supply Voltage Rejection Ratio $V_{icm} = V_{CC/2}$	70	85		dB
A_{vd}	Large Signal Voltage Gain $R_L = 2kW$ $R_L = 600W$	80 74	92 95		dB
V_{OH}	High Level Output Voltage $R_L = 2kW$ $R_L = 600W$	2.82 2.80	2.95 2.95		V
V_{OL}	Low Level Output Voltage $R_L = 2kW$ $R_L = 600W$		88 115	120 160	mV
I_o	Output Source Current $V_{ID} = 100mV$, $V_o = V_{DD}$ Output Sink Current $V_{ID} = -100mV$, $V_o = V_{CC}$	20 20	80 80		mA
I_{CC}	Supply Current (per amplifier) AVCL = 1, no load		450	650	mA
GBP	Gain Bandwidth Product $R_L = 10kW$, $C_L = 100pF$, $f = 100kHz$	1	1.7		MHz
SR	Slew Rate $R_L = 10kW$, $C_L = 100pF$, $AV = 1$	0.42	0.6		V/ns
f _m	Phase Margin $C_L = 100pF$		53		Degrees
en	Input Voltage Noise $f = 1kHz$		40		nV/ Hz
THD	Total Harmonic Distortion		0.01		%

Note : 1. Maximum values including unavoidable inaccuracies of the industrial test.

ELECTRICAL CHARACTERISTICS

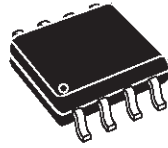
$V_{CC} = +5V$, $V_{EE} = 0V$, $T_{amb} = 25^{\circ}C$ (unless otherwise specified)

Symbol	Parameter	Min.	Typ.	Max.	Unit
V_{io}	Input Offset Voltage TS1871/2/4 TS1871A/2A/4A		0.1	3 1	mV
DV_{io}	Input Offset Voltage Drift		2		mV/°C
I_{io}	Input Offset Current - note 1		3	30	nA
I_{ib}	Input Bias Current - note 1		48	130	nA
CMR	Common Mode Rejection Ratio $0 \leq V_{icm} \leq V_{CC}$	65	85		dB
SVR	Supply Voltage Rejection Ratio $V_{icm} = V_{CC/2}$	70	90		dB
A_{vd}	Large Signal Voltage Gain $R_L = 2kW$ $R_L = 600W$	83 77	92 85		dB
V_{OH}	High Level Output Voltage $R_L = 2kW$ $R_L = 600W$	4.80 4.75	4.95 4.90		V
V_{OL}	Low Level Output Voltage $R_L = 2kW$ $R_L = 600W$		88 115	130 188	mV
I_o	Output Source Current $V_{ID} = 100mV$, $V_o = V_{DD}$ Output Sink Current $V_{ID} = -100mV$, $V_o = V_{CC}$	20 20	80 80		mA
I_{CC}	Supply Current (per amplifier) AVCL = 1, no load		513	835	mA
GBP	Gain Bandwidth Product $R_L = 10kW$, $C_L = 100pF$, $f = 100kHz$	1	1.8		MHz
SR	Slew Rate $R_L = 10kW$, $C_L = 100pF$, $AV = 1$	0.42	0.6		V/ns
f_m	Phase Margin $C_L = 100pF$		55		Degrees
en	Input Voltage Noise $f = 1kHz$		40		nV/ Hz
THD	Total Harmonic Distortion		0.01		%

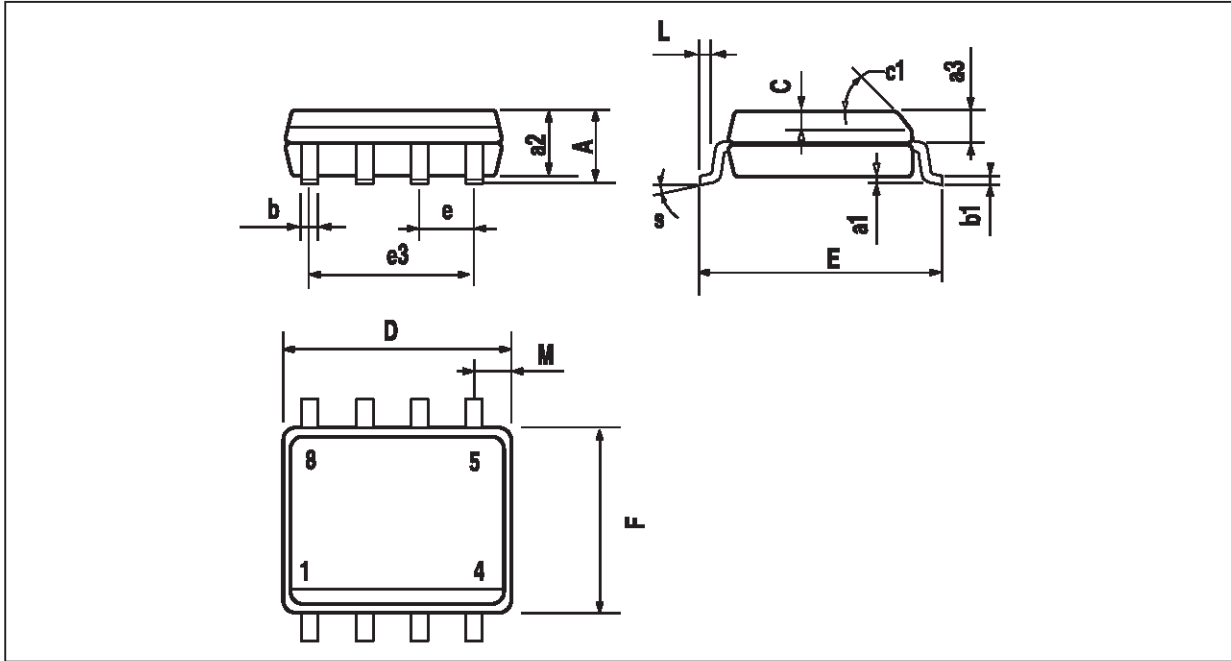
Note : 1. Maximum values including unavoidable inaccuracies of the industrial test.

TS1871-TS1872-TS1874

TS1871ID-TS1872ID

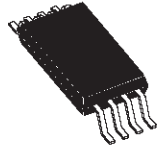


PACKAGE MECHANICAL DATA
8 PINS - PLASTIC MICROPACKAGE (SO)



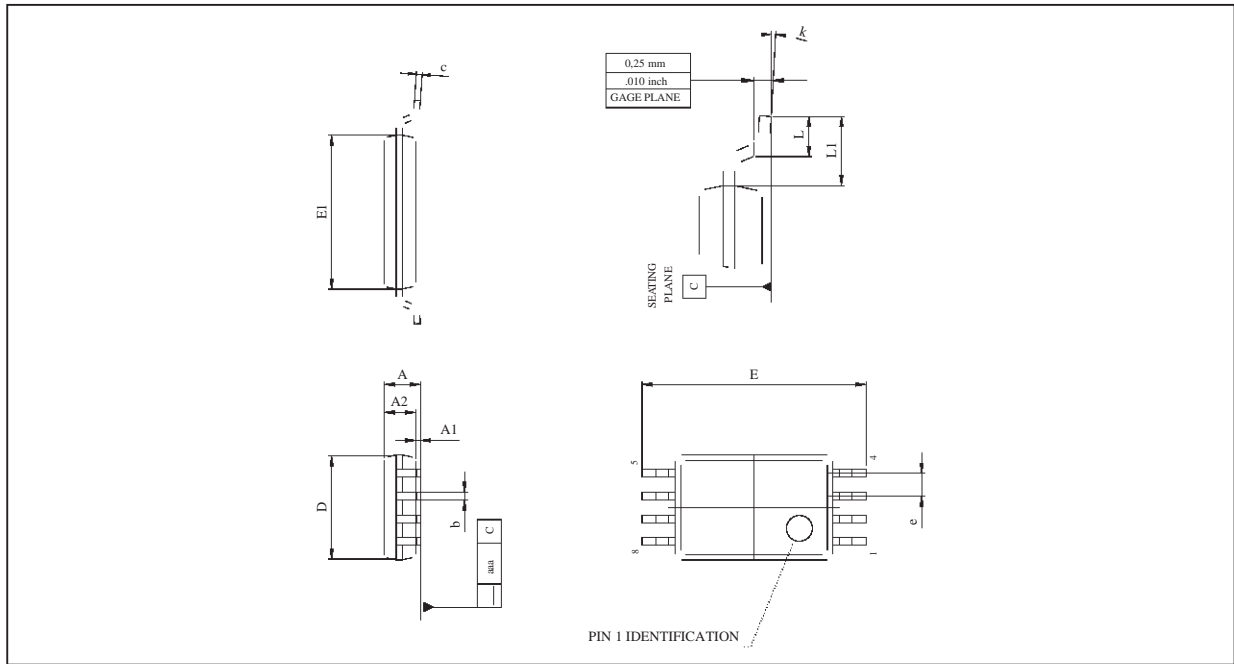
Dimensions	Millimeters			Inches		
	Min.	Typ.	Max.	Min.	Typ.	Max.
A			1.75			0.069
a1	0.1		0.25	0.004		0.010
a2			1.65			0.065
a3	0.65		0.85	0.026		0.033
b	0.35		0.48	0.014		0.019
b1	0.19		0.25	0.007		0.010
C	0.25		0.5	0.010		0.020
c1	45° (typ.)					
D	4.8		5.0	0.189		0.197
E	5.8		6.2	0.228		0.244
e		1.27			0.050	
e3		3.81			0.150	
F	3.8		4.0	0.150		0.157
L	0.4		1.27	0.016		0.050
M			0.6			0.024
S	8° (max.)					

TS1872IPT



PACKAGE MECHANICAL DATA

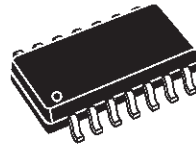
8 PINS - THIN SHRINK SMALL OUTLINE PACKAGE (TSSOP)



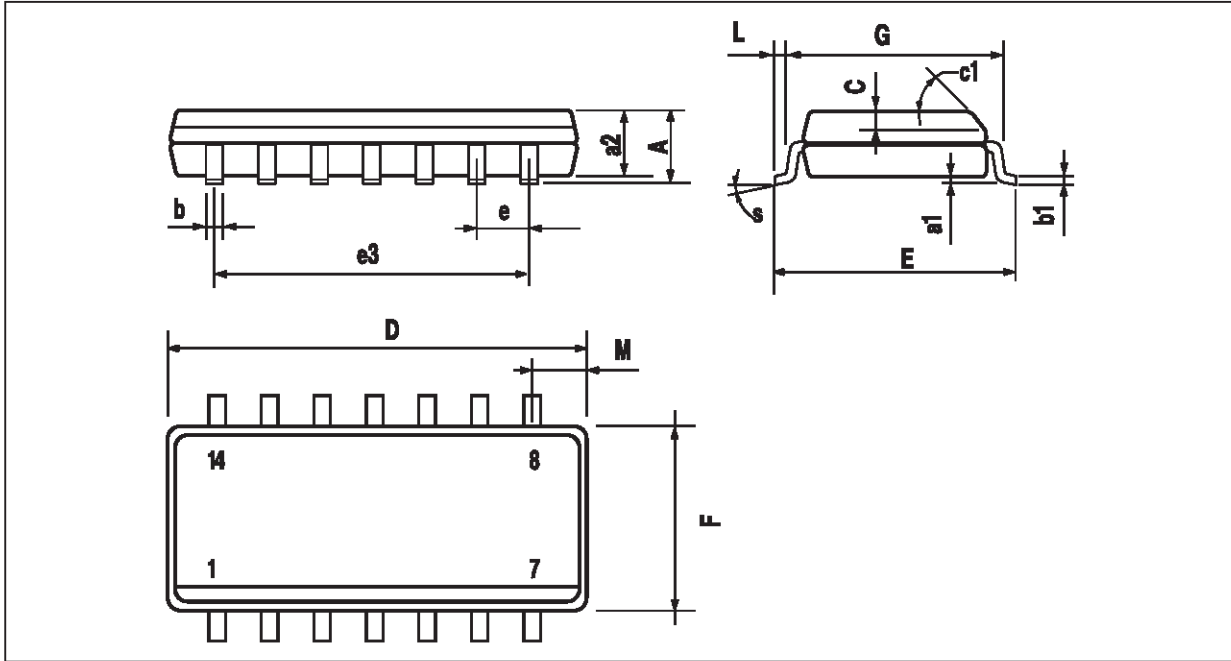
Dim.	Millimeters			Inches		
	Min.	Typ.	Max.	Min.	Typ.	Max.
A			1.20			0.05
A1	0.05		0.15	0.01		0.006
A2	0.80	1.00	1.05	0.031	0.039	0.041
b	0.19		0.30	0.007		0.15
c	0.09		0.20	0.003		0.012
D	2.90	3.00	3.10	0.114	0.118	0.122
E		6.40			0.252	
E1	4.30	4.40	4.50	0.169	0.173	0.177
e		0.65			0.025	
k	0°		8°	0°		8°
l	0.50	0.60	0.75	0.09	0.0236	0.030

TS1871-TS1872-TS1874

TS1874ID

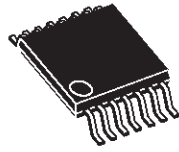


PACKAGE MECHANICAL DATA
14 PINS - PLASTIC MICROPACKAGE (SO)



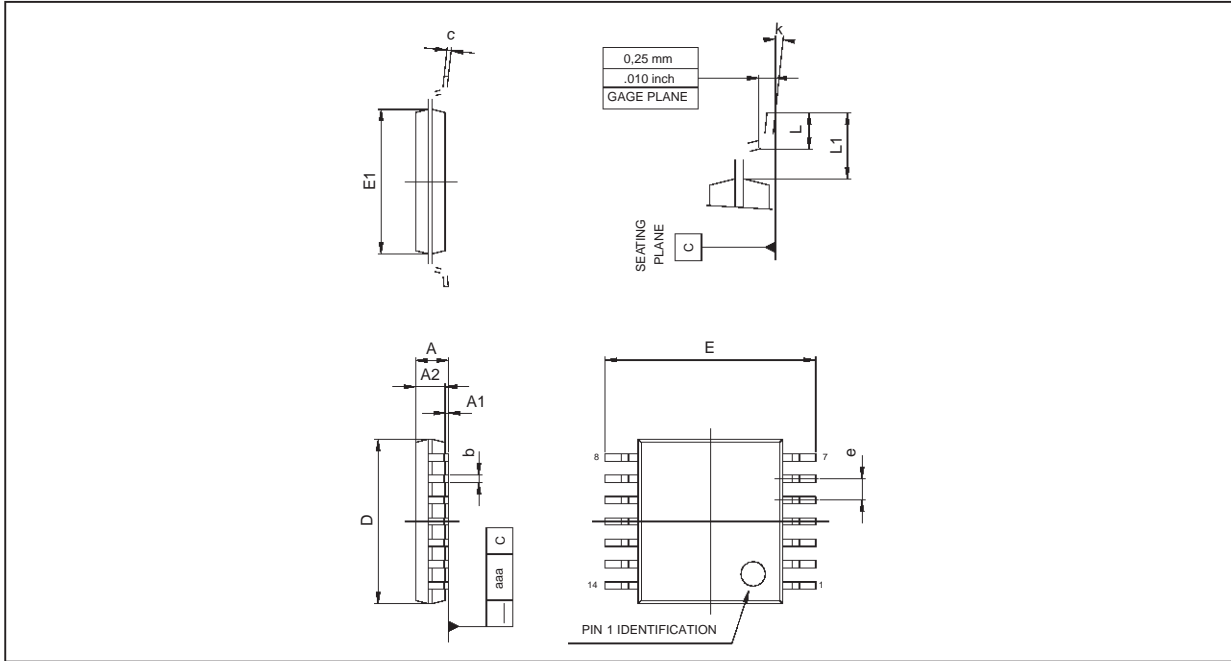
Dim.	Millimeters			Inches		
	Min.	Typ.	Max.	Min.	Typ.	Max.
A			1.75			0.069
a1	0.1		0.2	0.004		0.008
a2			1.6			0.063
b	0.35		0.46	0.014		0.018
b1	0.19		0.25	0.007		0.010
C		0.5			0.020	
c1	45° (typ.)					
D	8.55		8.75	0.336		0.334
E	5.8		6.2	0.228		0.244
e		1.27			0.050	
e3		7.62			0.300	
F	3.8		4.0	0.150		0.157
G	4.6		5.3	0.181		0.208
L	0.5		1.27	0.020		0.050
M			0.68			0.027
S	8° (max.)					

TS1874IPT



PACKAGE MECHANICAL DATA

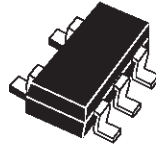
14 PINS - THIN SHRINK SMALL OUTLINE PACKAGE (TSSOP)



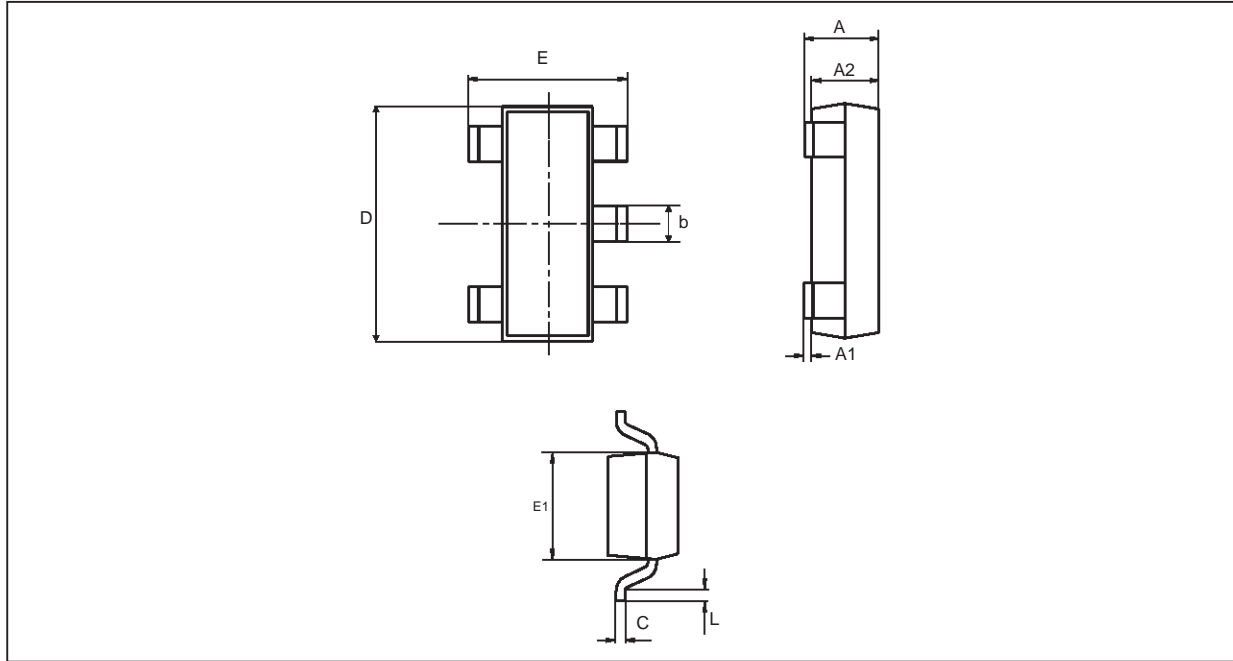
Dim.	Millimeters			Inches		
	Min.	Typ.	Max.	Min.	Typ.	Max.
A			1.20			0.05
A1	0.05		0.15	0.01		0.006
A2	0.80	1.00	1.05	0.031	0.039	0.041
b	0.19		0.30	0.007		0.15
c	0.09		0.20	0.003		0.012
D	4.90	5.00	5.10	0.192	0.196	0.20
E		6.40			0.252	
E1	4.30	4.40	4.50	0.169	0.173	0.177
e		0.65			0.025	
k	0°		8°	0°		8°
l	0.50	0.60	0.75	0.09	0.0236	0.030

TS1871-TS1872-TS1874

TS1871ILT



PACKAGE MECHANICAL DATA 5 PINS -TINY PACKAGE (SOT23)



Dim.	Millimeters		Inches	
	Min.	Max.	Min.	Max.
A	0.90	1.45	0.034	0.057
A1	0	0.15		0.006
A2	0.90	1.30	0.034	0.051
b	0.35	0.50	0.013	0.020
C	0.09	0.20	0.003	0.008
D	2.80	3.00	0.110	0.118
E	2.60	3.00	0.102	0.118
E1	1.50	1.75	0.059	0.069
L	0.10	0.60	0.003	0.024

Information furnished is believed to be accurate and reliable. However, STMicroelectronics assumes no responsibility for the consequences of use of such information nor for any infringement of patents or other rights of third parties which may result from its use. No license is granted by implication or otherwise under any patent or patent rights of STMicroelectronics. Specifications mentioned in this publication are subject to change without notice. This publication supersedes and replaces all information previously supplied. STMicroelectronics products are not authorized for use as critical components in life support devices or systems without express written approval of STMicroelectronics.

© The ST logo is a trademark of STMicroelectronics

© 2000 STMicroelectronics – Printed in Italy – All Rights Reserved

STMicroelectronics GROUP OF COMPANIES

Australia - Brazil - China - Finland - France - Germany - Hong Kong - India - Italy - Japan - Malaysia - Malta - Morocco
Singapore - Spain - Sweden - Switzerland - United Kingdom - U.S.A.

© <http://www.st.com>