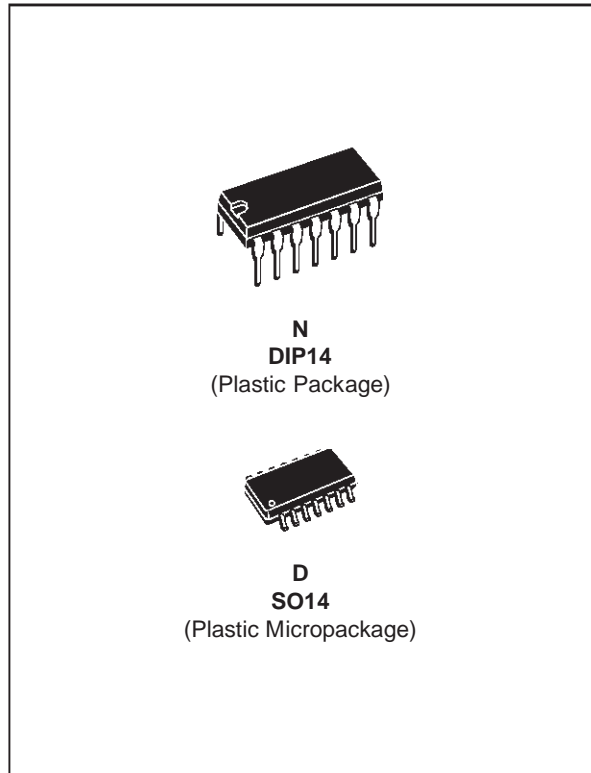




TSH24

HIGH PERFORMANCE QUAD BIPOLAR OPERATIONAL AMPLIFIER

- HIGH GAIN BANDWIDTH PRODUCT : **25MHz**
- HIGH SLEW RATE : **15V/μs**
- SINGLE OR DUAL SUPPLY OPERATION :
3V TO 30V ($\pm 1.5V$ to $\pm 15V$)
- LOW VOLTAGE NOISE : **14nV/√Hz**
- NO PHASE INVERSION
- ESD TOLERANCE : 2kV
- LATCH-UP IMMUNITY
- **SPICE MACROMODEL** INCLUDED IN THIS SPECIFICATION



DESCRIPTION

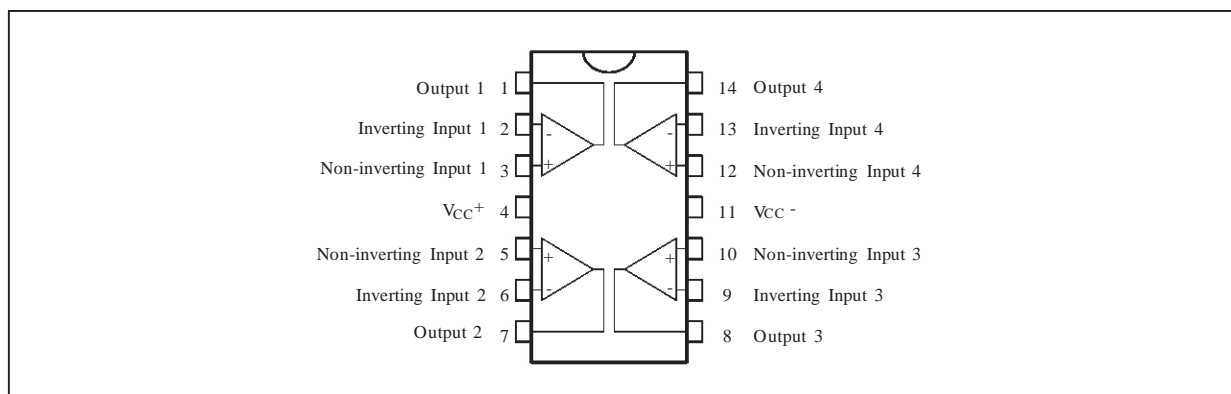
The TSH24 is a quad bipolar operational amplifier offering a single supply operation from 3V to 30V with very good performances : medium speed (25MHz), unity gain stability and low noise.

The TSH24 is therefore an enhanced replacement of standard quad operational amplifiers.

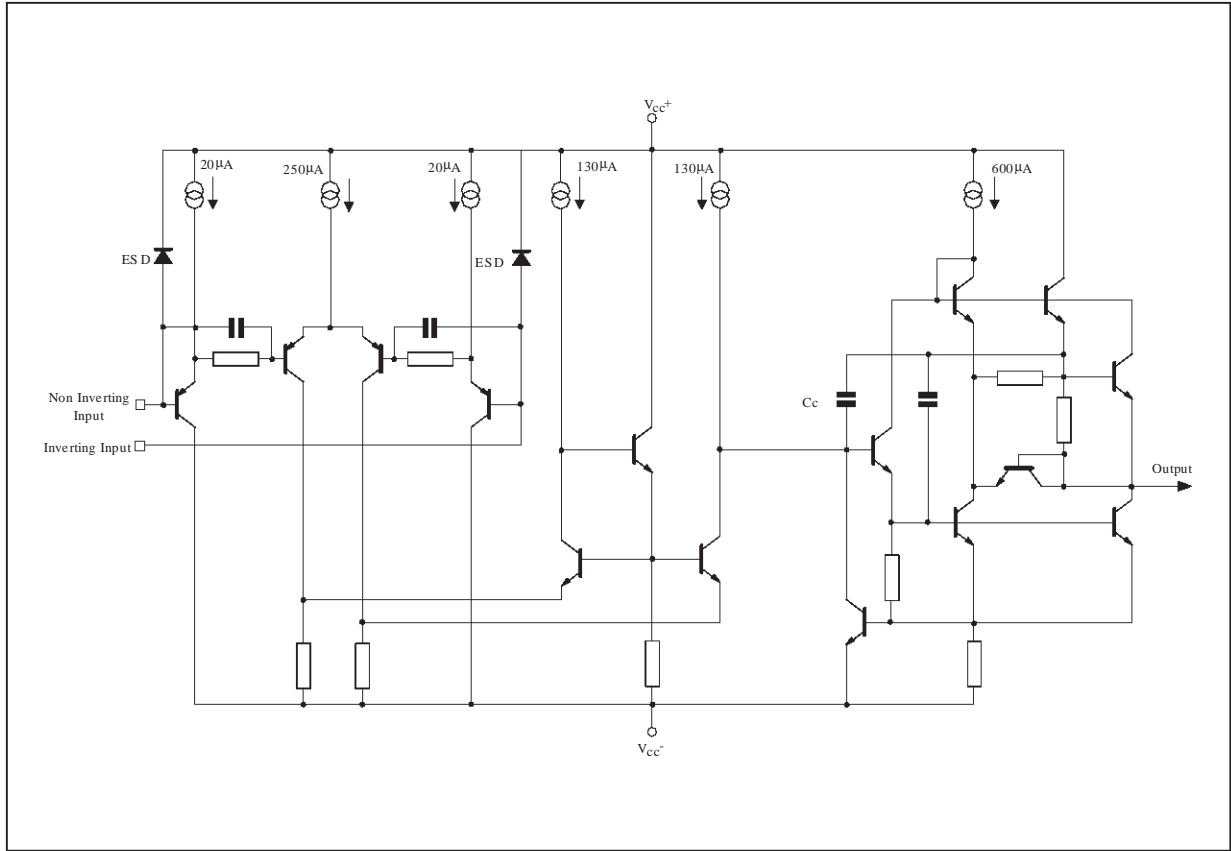
ORDER CODES

Part Number	Temperature Range	Package	
		N	D
TSH24I	-40, +125°C	•	•

PIN CONNECTIONS (top view)



SCHEMATIC DIAGRAM (1/4 TSH24)



ABSOLUTE MAXIMUM RATINGS

Symbol	Parameter	Value	Unit
V _{CC}	Supply Voltage	±18 or +36	V
V _{id}	Differential Input Voltage - (note 1)	±36	V
V _i	Input Voltage - (note 1)	±18	V
	Output Short-Circuit Duration - (note 2)	Infinite	
T _{oper}	Operating Free-air Temperature Range	-40 to +125	°C
T _j	Maximum Junction Temperature	+150	°C
T _{stg}	Storage Temperature	-65 to +150	°C
P _{tot}	Maximum Power Dissipation - (note 2)	500	mW

Notes : 1. Either or both input voltages must not exceed the magnitude of V_{CC}⁺ or V_{CC}⁻
 2. Power dissipation must be considered to ensure maximum junction temperature (T_j) is not exceeded

OPERATING CONDITIONS

Symbol	Parameter	Value	Unit
V _{CC}	Supply Voltage	3 to 30	V

ELECTRICAL CHARACTERISTICS
 $V_{CC}^+ = +15V, V_{CC}^- = -15V, T_{amb} = 25^\circ C$ (unless otherwise specified)

Symbol	Parameter	Min.	Typ.	Max.	Unit
V_{io}	Input Offset Voltage ($V_{ic} = 0V, V_o = 0V$) $V_{CC}^+ = +15V, V_{CC}^- = -15V$ $T_{min.} \leq T \leq T_{max.}$ $V_{CC}^+ = +5V, V_{CC}^- = 0V$			2.5 3.5 2.5	mV
ΔV_{io}	Input Offset Voltage Drift ($V_{ic} = 0V, V_o = 0V, T = -40, +85^\circ C$)		2		$\mu V/^\circ C$
I_{io}	Input Offset Current ($V_{ic} = 0V, V_o = 0V$)		3	65	nA
I_{ib}	Input Bias Current ($V_{ic} = 0V, V_o = 0V$)		100	650	nA
V_{icm}	Common Mode Input Voltage Range		V_{CC}^- to $V_{CC}^+ - 1.8V$		V
A_{vd}	Large Signal Voltage Gain ($R_L = 2k\Omega, V_o = 0V$ to $+10V$) $T_{min.} \leq T \leq T_{max.}$	32 20	100		V/mV
$\pm V_{opp}$	Output Voltage Swing ($V_{id} = \pm 1V$) $V_{CC}^+ = +15V, V_{CC}^- = -15V$ $R_L = 2k\Omega$ V_{OH} V_{OL} $R_L = 10k\Omega$ V_{OH} V_{OL} $V_{CC}^+ = +5V, V_{CC}^- = 0V$ $R_L = 2k\Omega$ V_{OH} V_{OL}	13.4 13.4 3.7	13.9 -13.9 14 -14.7 0.15	-13.5 -14.1 0.2	V
I_o	Output Short Circuit Current ($V_{id} = \pm 1V, V_o = 0V$) Source Sink	25 25	37 37		mA
CMR	Common Mode Rejection Ratio ($V_{ic} = -15V$ to $+13.2V$)	80	100		dB
SVR	Supply Voltage Rejection Ratio $V_{CC}^+ / V_{CC}^- = +15V / -15V$ to $+5V / -5V$	90	105		dB
I_{cc}	Supply Current ($V_o = 0V$, no load, each amplifier) $V_{CC}^+ = +15V, V_{CC}^- = -15V$ $T_{min.} \leq T \leq T_{max.}$ $V_{CC}^+ = +5V, V_{CC}^- = 0V$		2.15	2.75 3 2.75	mA
SR	Slew Rate ($V_i = -10V$ to $+10V, C_L = 100pF, R_L = 2k\Omega, A_v = +1$)	8	15		$V/\mu s$
GBP	Gain Bandwidth Product ($f = 100kHz, R_L = 2k\Omega, C_L = 100pF$)	17	25		MHz
B	Unity Gain Bandwidth (Open loop)		5		MHz
ϕ_m	Phase Margin $R_L = 2k\Omega$ $R_L = 2k\Omega, C_L = 100pF$		50 40		Degrees
e_n	Equivalent Input Noise Voltage ($R_S = 100\Omega, f = 1kHz$)		14		nV/\sqrt{Hz}
V_{O1}/V_{O2}	Channel Separation ($f = 20Hz$ to $20kHz$)		120		dB
THD	Total Harmonic Distortion ($V_{CC} = \pm 15V, f = 1kHz, A_{VCL} = 20dB, R_L = 600\Omega, V_o = 3V_{rms}$)		0.003		%

TSH24

MACROMODEL

** StandardLinear Ics Macromodels, 1993.

CONNECTIONS :

* 1 INVERTING INPUT
 * 2 NON-INVERTING INPUT
 * 3 OUTPUT
 * 4 POSITIVE POWER SUPPLY
 * 5 NEGATIVE POWER SUPPLY
 .SUBCKT TSH24 1 3 2 4 5 (analog)

.MODEL MDTH D IS=1E-8 KF=7.976636E-15
 CJO=10F

* INPUT STAGE

CIP 2 5 1.200000E-11
 CIN 1 5 1.200000E-11
 EIP 10 5 2 5 1
 EIN 16 5 1 5 1
 RIP 10 11 1.083333E+00
 RIN 15 16 1.083333E+00
 RIS 11 15 8.942641E+00
 DIP 11 12 MDTH 400E-12
 DIN 15 14 MDTH 400E-12
 VOFP 12 13 DC 0
 VOFN 13 14 DC 0
 IPOL 13 5 2.400000E-04
 CPS 11 15 10.5E-09
 DINN 17 13 MDTH 400E-12
 VIN 17 5 -0.200000E+00
 DINR 15 18 MDTH 400E-12
 VIP 4 18 1.800000E+00
 FCP 4 5 VOFP 7.750000E+00
 FCN 5 4 VOFN 7.750000E+00
 FIBP 2 5 VOFN 5.000000E-04
 FIBN 5 1 VOFP 5.000000E-04

* AMPLIFYING STAGE

FIP 5 19 VOFP 6.708333E+02
 FIN 5 19 VOFN 6.708333E+02
 GVNEG 5 19 5 13 1.395908E-05
 GVPOS 5 19 4 13 1.395908E-05
 RG1 19 5 8.056996E+04
 RG2 19 4 8.056996E+04
 CC 19 29 1.100000E-08
 HZTP 30 29 VOFP 6.545046E+01
 HZTN 5 30 VOFN 6.545046E+01
 DOPM 19 22 MDTH 400E-12
 DONM 21 19 MDTH 400E-12
 HOPM 22 28 VOUT 4.054054E+03
 VIPM 28 4 1.500000E+02
 HONM 21 27 VOUT 4.054054E+03
 VINM 5 27 1.500000E+02
 RPM1 5 80 1E+06
 RPM2 4 80 1E+06
 GAVPH 5 82 19 80 6.00E-07
 RAVPHGH 82 4 3333222
 RAVPHGB 82 5 3333222
 RAVPHDH 82 83 1000000
 RAVPHDB 82 84 1000000
 CAVPHH 4 83 0.12243E-12
 CAVPHB 5 84 0.12243E-12
 EOUT 26 23 82 5 1
 VOUT 23 5 0
 ROUT 26 3 2.472597E+01
 COUT 3 5 1.000000E-12
 DOP 19 25 MDTH 400E-12
 VOP 4 25 1.824860E+00
 DON 24 19 MDTH 400E-12
 VON 24 5 1.824860E+00
 .ENDS

ELECTRICAL CHARACTERISTICS

V_{CC} = ±15V, T_{amb} = 25°C (unless otherwise specified)

Symbol	Conditions	Value	Unit
V _{id}		0	mV
A _{vd}	R _L = 2kΩ	100	dB
I _{CC}	No load, per operator	2	mA
V _{icm}		-15.2 to 13.8	V
V _{OH}	R _L = 2kΩ	+13.9	V
V _{OL}	R _L = 2kΩ	-13.9	V
I _{sink}	V _O = 0V	40	mA
I _{source}	V _O = 0V	40	mA
GBP	R _L = 2kΩ, C _L = 100pF	34	MHz
SR	R _L = 2kΩ, C _L = 100pF	10	V/μs
∅m	R _L = 2kΩ, C _L = 100pF	36	Degrees
∅m	R _L = 2kΩ, C _L = 300pF	26	Degrees

APPLICATIONS INFORMATION

TSH24 IN COMPARATOR APPLICATION

The TSH24 is a quad high performances operational amplifier featuring speed of 30MHz and single supply operation from 3V to 30V.

Most of operational amplifiers are not suited for comparator use because of low transition speed, output signal incompatible with standard logics level and mainly, phase inversion.

The phase inversion occurs when a strong differential signal is applied to the device inputs. The output level is then inverted and shows a wrong logic state.

TSH24 does not present this problematic behaviour.

Displayed curves below show the device response in standard comparator configuration without external components.

Transition speed : Typical transition speed under a single 5V supply voltage is about 2µs from 50mV overdrive. V_{OH} min. is 3.7V and V_{OL} max. is 0.2V (2kΩ load) making it compatible with standard logic families.

Figures 3 & 4 show output signal transition for a 50mV and 250mV input signal overdrive respectively of 3µs and 1µs.

Figure 1 : Basic comparator application

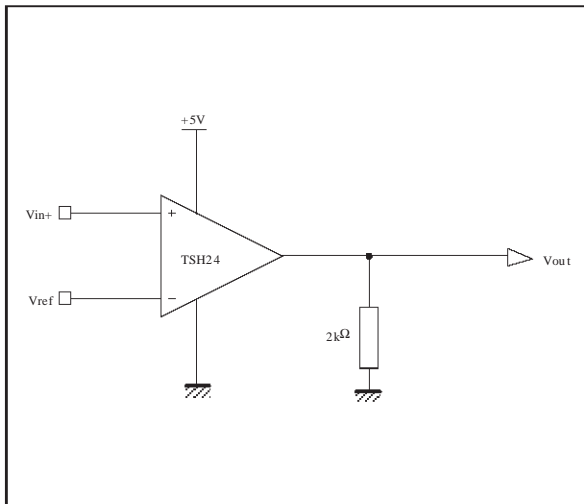


Figure 2 : Operating conditions

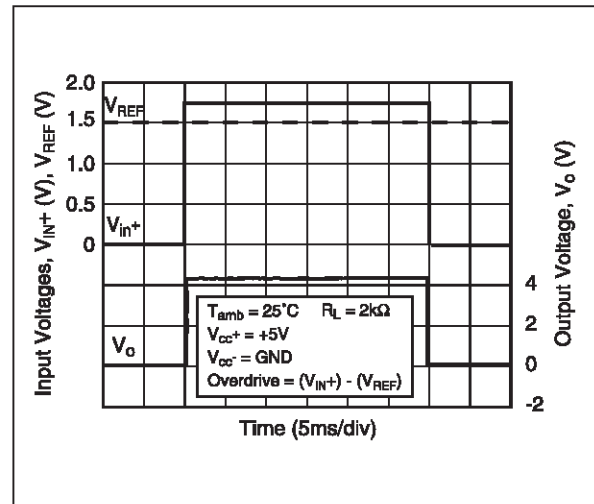


Figure 3 : Transition speed @ 50mV overdrive

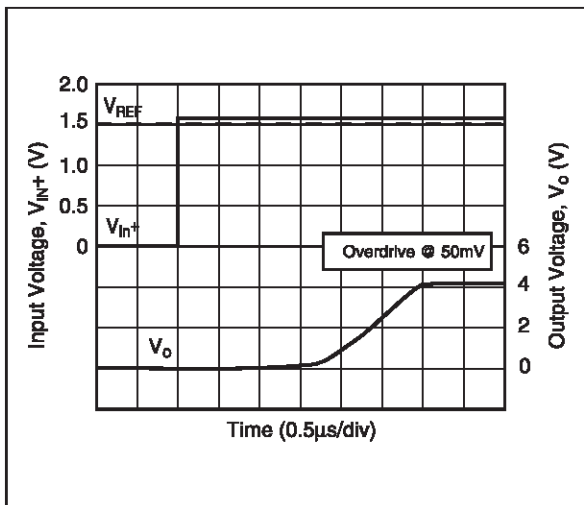
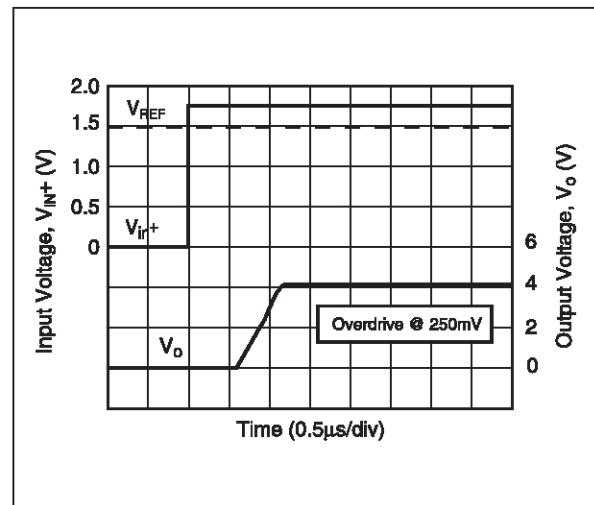


Figure 4 : Transition speed @ 250mV overdrive



PHASE INVERSION

At high differential input voltage, the TSH24 keeps the right output level thanks to its specific input structures.

The advantage is obvious on the following figures and can be also an advantage in linear use when saturation might occur.

Figure 5 : Behaviour with TSH24

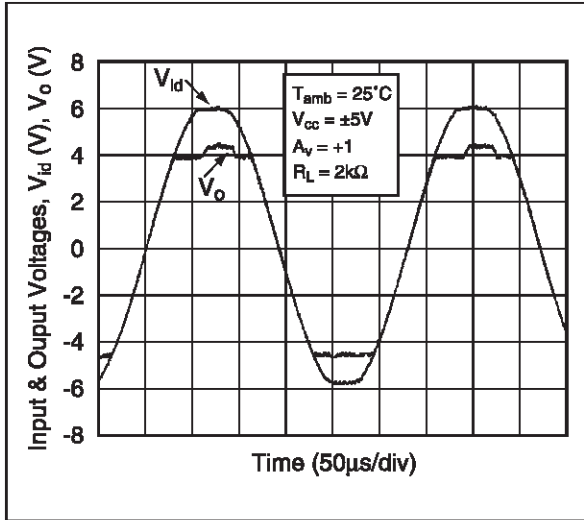
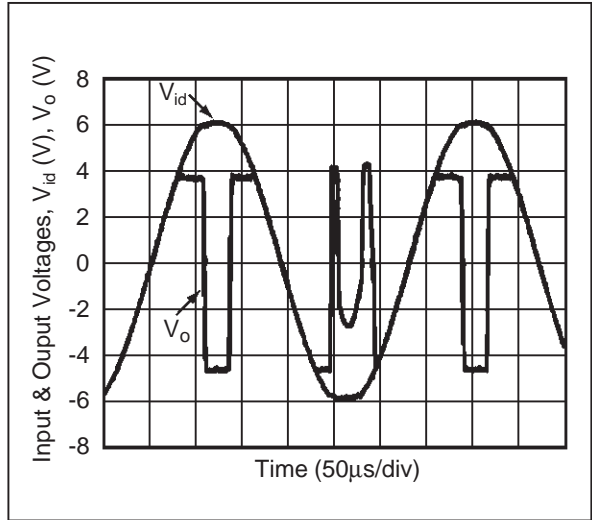
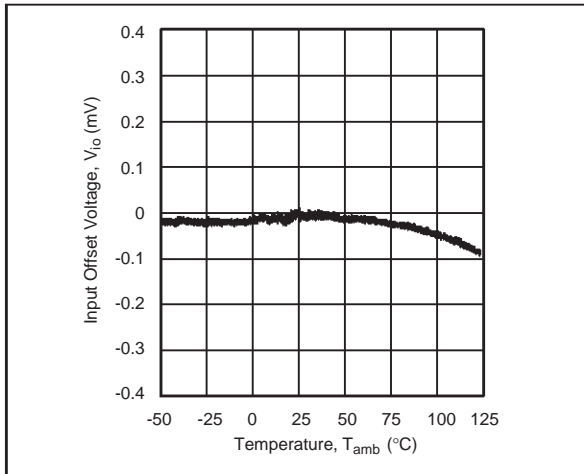


Figure 5 & 6 show the behaviour in follower stage with saturation output of TSH24 versus 15MHz standard operational amplifier.

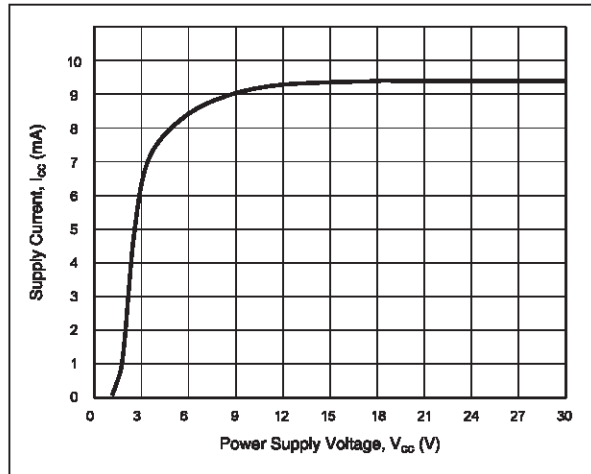
Figure 6 : Saturation behaviour with 15MHz standard operational amplifier



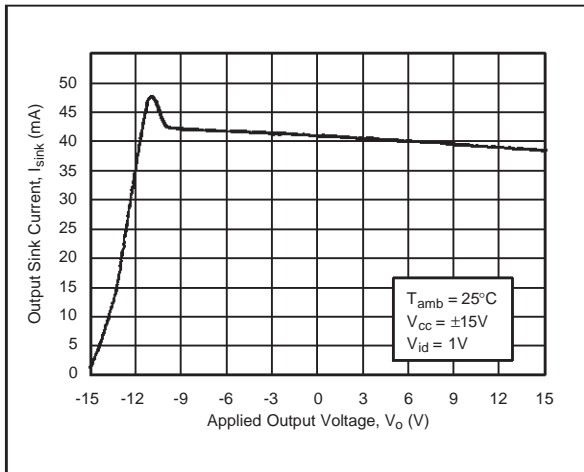
INPUT OFFSET VOLTAGE DRIFT VERSUS TEMPERATURE



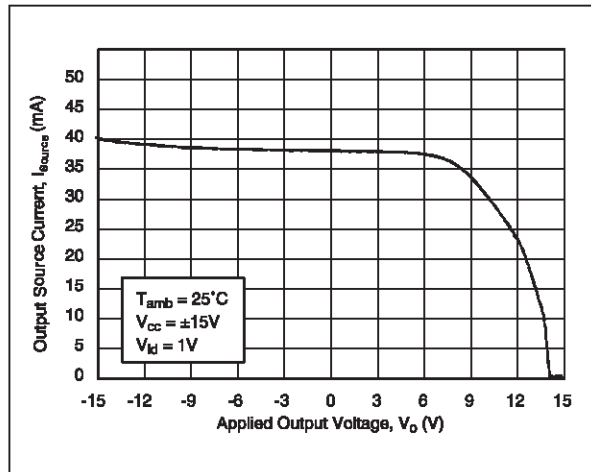
SUPPLY CURRENT VERSUS SUPPLY VOLTAGE (ALL OP-AMP)



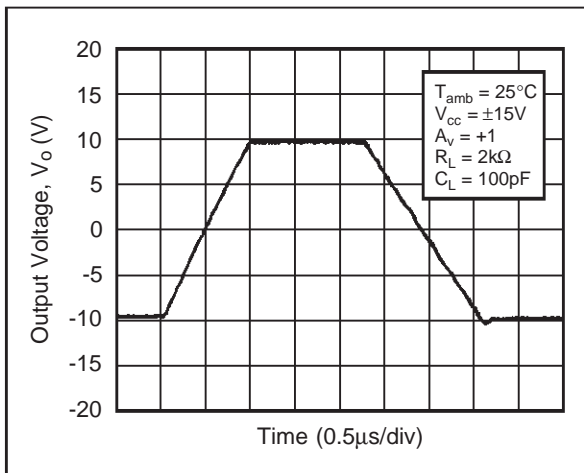
SINK CURRENT



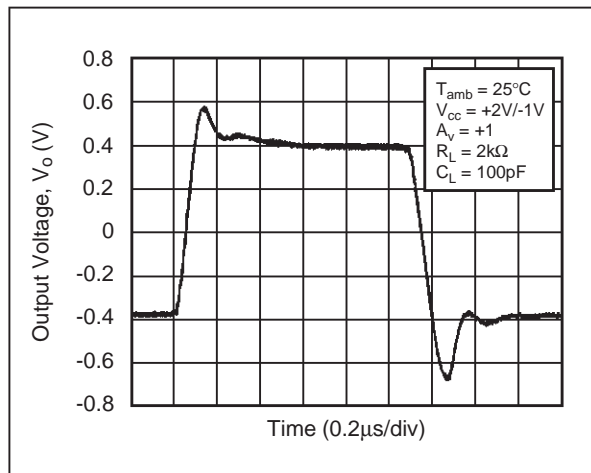
SOURCE CURRENT



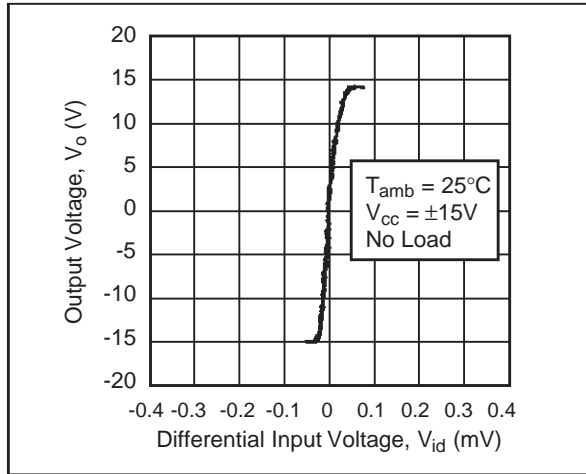
SLEW RATE @ 30V



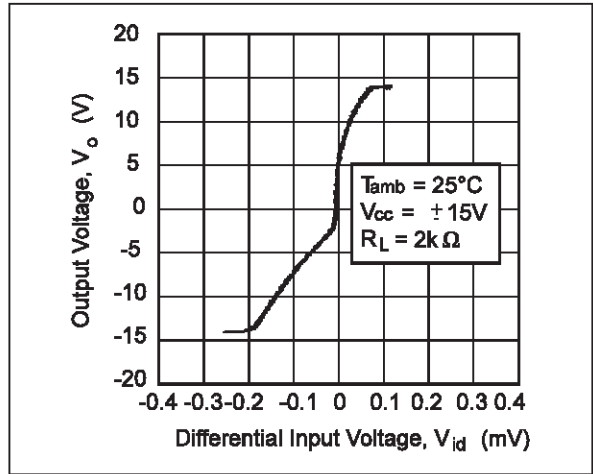
SLEW RATE @ 3V



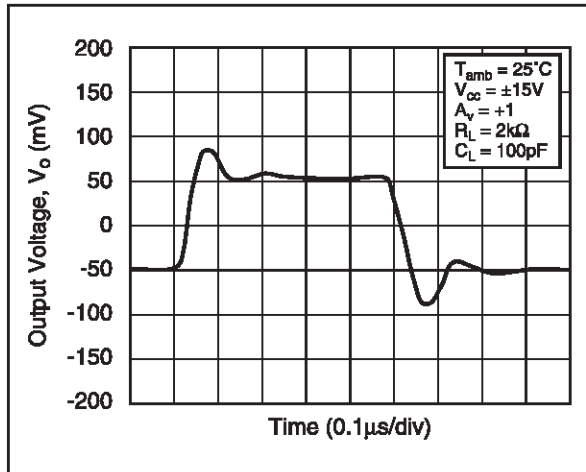
LARGE SIGNAL VOLTAGE GAIN @ NO LOAD



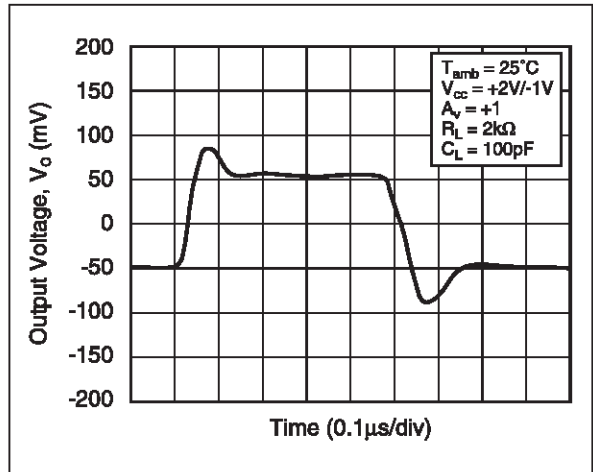
LARGE SIGNAL VOLTAGE GAIN @ LOAD



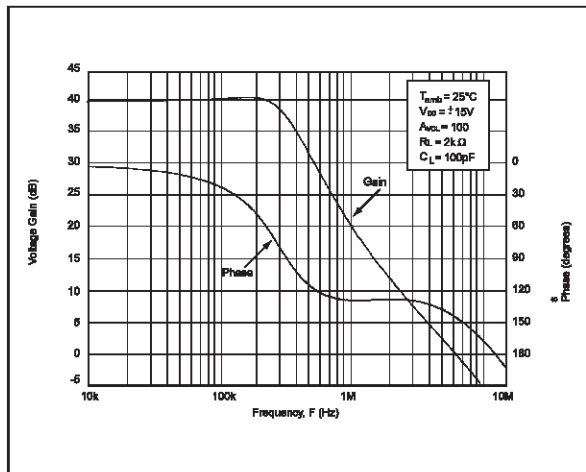
SMALL SIGNAL RESPONSE @ 30V



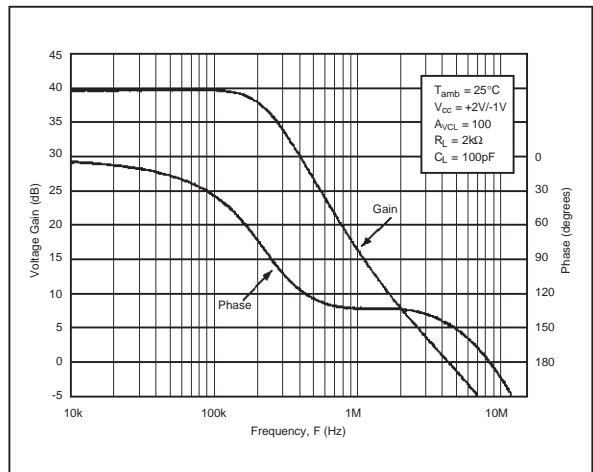
SMALL SIGNAL RESPONSE @ 3V



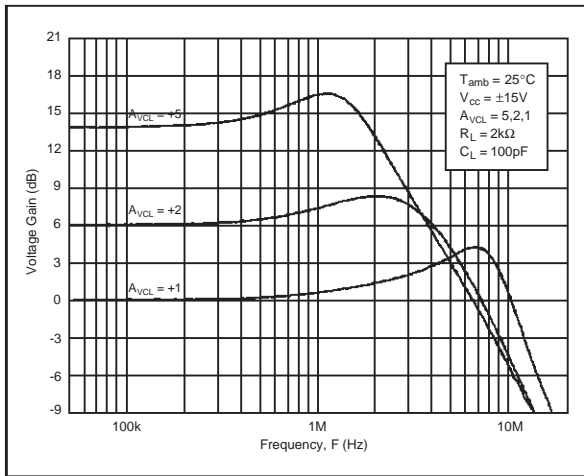
UNITY GAIN BANDWIDTH @ 30V



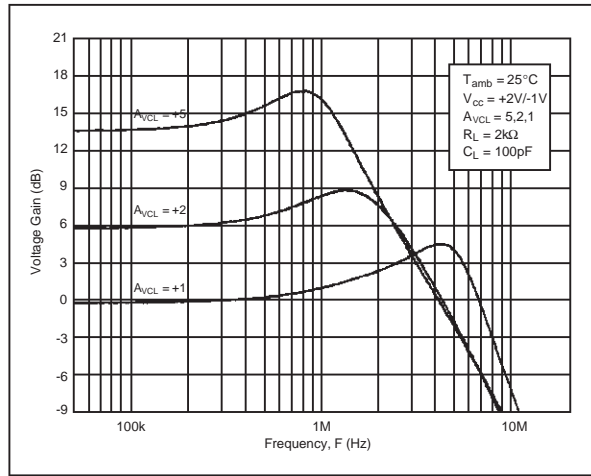
UNITY GAIN BANDWIDTH @ 3V



CLOSED LOOP BANDWIDTH @ 30V



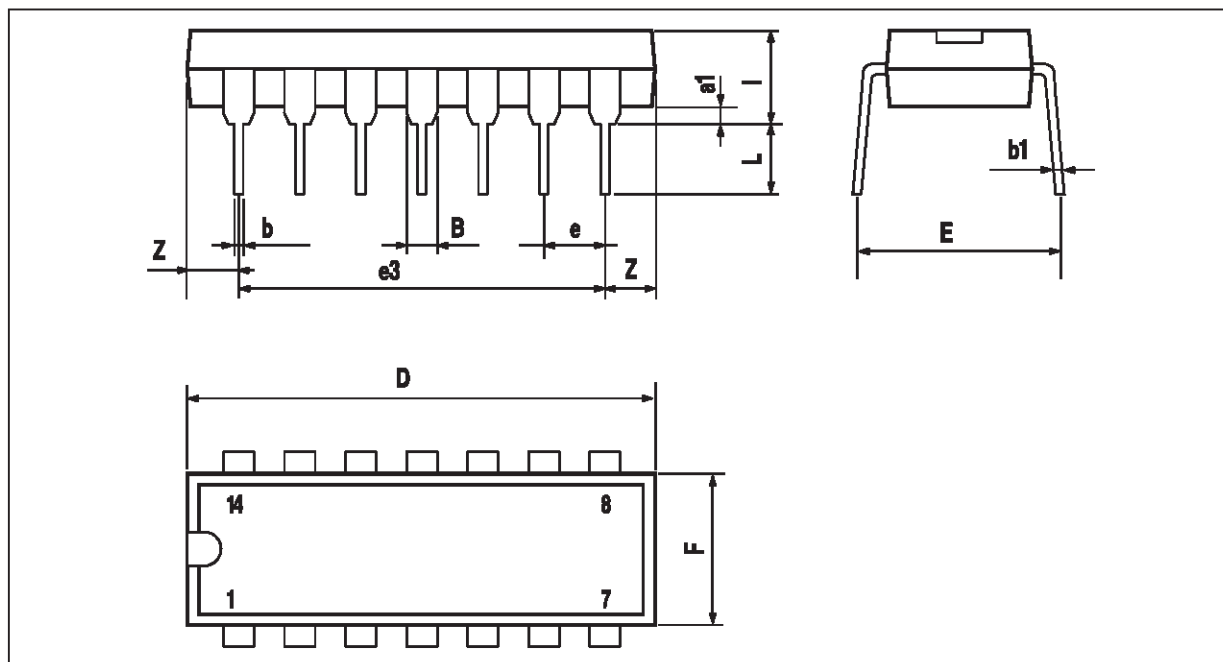
CLOSED LOOP BANDWIDTH @ 3V



TSH24

PACKAGE MECHANICAL DATA

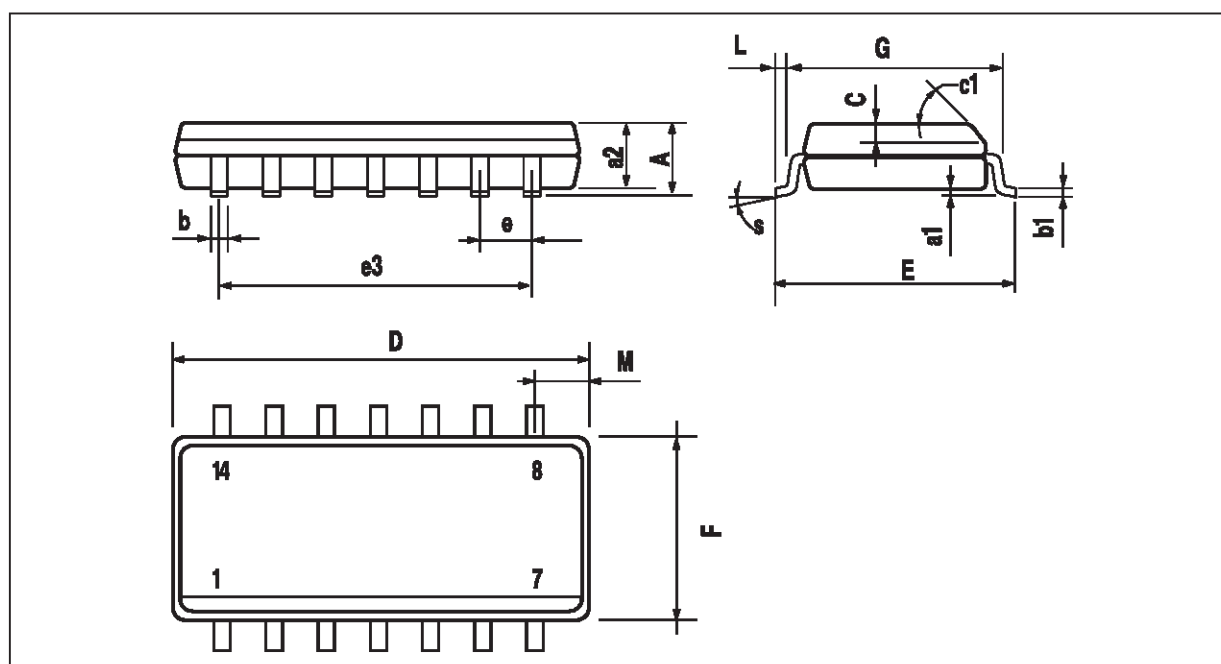
14 PINS - PLASTIC DIP



Dim.	Millimeters			Inches		
	Min.	Typ.	Max.	Min.	Typ.	Max.
a1	0.51			0.020		
B	1.39		1.65	0.055		0.065
b		0.5			0.020	
b1		0.25			0.010	
D			20			0.787
E		8.5			0.335	
e		2.54			0.100	
e3		15.24			0.600	
F			7.1			0.280
i			5.1			0.201
L		3.3			0.130	
Z	1.27		2.54	0.050		0.100

PACKAGE MECHANICAL DATA

14 PINS - PLASTIC MICROPACKAGE (SO)



Dim.	Millimeters			Inches		
	Min.	Typ.	Max.	Min.	Typ.	Max.
A			1.75			0.069
a1	0.1		0.2	0.004		0.008
a2			1.6			0.063
b	0.35		0.46	0.014		0.018
b1	0.19		0.25	0.007		0.010
C		0.5			0.020	
c1	45° (typ.)					
D	8.55		8.75	0.336		0.334
E	5.8		6.2	0.228		0.244
e		1.27			0.050	
e3		7.62			0.300	
F	3.8		4.0	0.150		0.157
G	4.6		5.3	0.181		0.208
L	0.5		1.27	0.020		0.050
M			0.68			0.027
S	8° (max.)					

Information furnished is believed to be accurate and reliable. However, STMicroelectronics assumes no responsibility for the consequences of use of such information nor for any infringement of patents or other rights of third parties which may result from its use. No license is granted by implication or otherwise under any patent or patent rights of STMicroelectronics. Specifications mentioned in this publication are subject to change without notice. This publication supersedes and replaces all information previously supplied. STMicroelectronics products are not authorized for use as critical components in life support devices or systems without express written approval of STMicroelectronics.

© The ST logo is a trademark of STMicroelectronics

© 1998 STMicroelectronics – Printed in Italy – All Rights Reserved
STMicroelectronics GROUP OF COMPANIES

Australia - Brazil - Canada - China - France - Germany - Italy - Japan - Korea - Malaysia - Malta - Mexico - Morocco
The Netherlands - Singapore - Spain - Sweden - Switzerland - Taiwan - Thailand - United Kingdom - U.S.A.