

SILICON NPN SWITCHING TRANSISTOR

- SGS-THOMSON PREFERRED SALESTYPE
- NPN TRANSISTOR
- VERY LOW SATURATION VOLTAGE
- FAST TURN-OFF AND TURN-ON

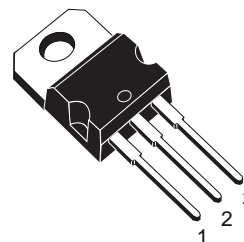
APPLICATIONS:

- SWITCHING REGULATORS
- SOLENOID / RELAY DRIVERS

DESCRIPTION

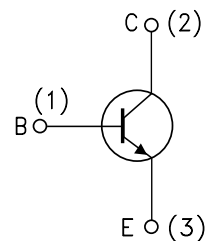
High speed transistor suited for low voltage applications.

High frequency and efficiency converters switching regulators motor control.



TO-220

INTERNAL SCHEMATIC DIAGRAM



SC06960

ABSOLUTE MAXIMUM RATINGS

Symbol	Parameter	Value	Unit
V_{CBO}	Collector-base Voltage ($I_E = 0$)	400	V
V_{CEO}	Collector-Emitter Voltage ($I_B = 0$)	200	V
V_{EBO}	Emitter-Base Voltage ($I_C = 0$)	7	V
I_C	Collector Current	10	A
I_{CM}	Collector Peak Current	15	A
I_B	Base Current	2	A
I_{BM}	Base Peak Current	4	A
P_{tot}	Total Dissipation at $T_c < 25\text{ }^\circ\text{C}$	85	W
P_{tot}	Total Dissipation at $T_c < 60\text{ }^\circ\text{C}$	65	W
T_{stg}	Storage Temperature	-65 to +175	$^\circ\text{C}$
T_j	Max. Operating Junction Temperature	175	$^\circ\text{C}$

THERMAL DATA

R _{thj-case}	Thermal Resistance Junction-case	Max	1.76	°C/W
-----------------------	----------------------------------	-----	------	------

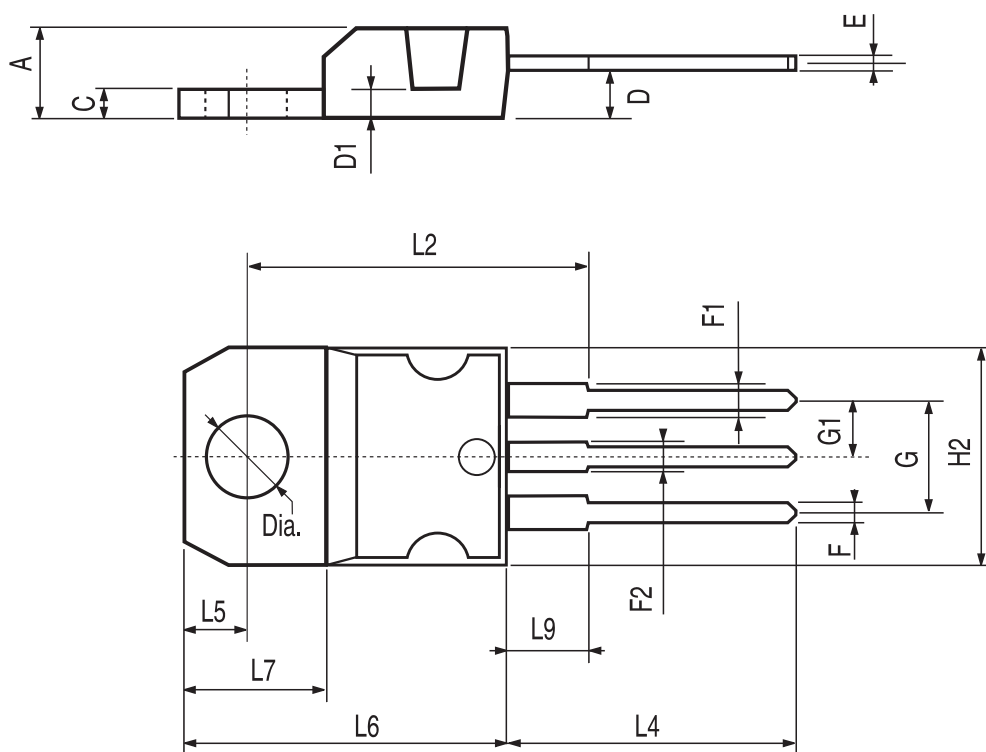
ELECTRICAL CHARACTERISTICS (T_{case} = 25 °C unless otherwise specified)

Symbol	Parameter	Test Conditions	Min.	Typ.	Max.	Unit
I _{CEr}	Collector Cut-off Current (R _{BE} = 50Ω)	V _{CE} = 400V T _c = 125°C			3	mA
I _{CEx}	Collector Cut-off Current	V _{CE} = 400V V _{BE} = -1.5V T _c = 125°C			1	mA
I _{EBO}	Emitter Cut-off Current (I _C = 0)	V _{EB} = 5 V			1	mA
V _{CEO(sus)*}	Collector-Emitter Sustaining Voltage	I _C = 0.2 A L = 25mH	200			V
V _{EBO}	Emitter-Base Voltage (I _C = 0)	I _E = 50mA	7		30	V
V _{CE(sat)*}	Collector-Emitter Saturation Voltage	I _C = 3A I _B = 0.3A I _C = 6A I _B = 0.6A			0.7 1.5	V V
V _{BE(sat)*}	Base-Emitter Saturation Voltage	I _C = 6A I _B = 0.6A			2	V
t _{on} t _s t _r	RESISTIVE LOAD Storage Time Fall Time Turn-on Time	V _{CC} = 150V I _C = 6A V _{BE} = - 6V I _{B1} = 0.6A R _{BB} = 5Ω		0.3 0.5 0.1	1 1.5 0.25	μs μs μs
t _s t _r t _s t _r	INDUCTIVE LOAD Storage time Fall Time Storage Time Fall Time	V _{CC} = 150V I _C = 6A I _{B1} = 0.6A V _{BE} = - 5V L _B = 1μH V _{CC} = 150V I _C = 6A I _{B1} = 0.6A V _{BE} = - 5V L _B = 1μH T _j = 125°C		1 0.04	3 0.2	μs μs μs μs

* Pulsed: Pulse duration = 300μs, duty cycle = 2 %

TO-220 MECHANICAL DATA

DIM.	mm			inch		
	MIN.	TYP.	MAX.	MIN.	TYP.	MAX.
A	4.40		4.60	0.173		0.181
C	1.23		1.32	0.048		0.051
D	2.40		2.72	0.094		0.107
D1		1.27			0.050	
E	0.49		0.70	0.019		0.027
F	0.61		0.88	0.024		0.034
F1	1.14		1.70	0.044		0.067
F2	1.14		1.70	0.044		0.067
G	4.95		5.15	0.194		0.203
G1	2.4		2.7	0.094		0.106
H2	10.0		10.40	0.393		0.409
L2		16.4			0.645	
L4	13.0		14.0	0.511		0.551
L5	2.65		2.95	0.104		0.116
L6	15.25		15.75	0.600		0.620
L7	6.2		6.6	0.244		0.260
L9	3.5		3.93	0.137		0.154
DIA.	3.75		3.85	0.147		0.151



P011C

Information furnished is believed to be accurate and reliable. However, SGS-THOMSON Microelectronics assumes no responsibility for the consequences of use of such information nor for any infringement of patents or other rights of third parties which may result from its use. No license is granted by implication or otherwise under any patent or patent rights of SGS-THOMSON Microelectronics. Specifications mentioned in this publication are subject to change without notice. This publication supersedes and replaces all information previously supplied. SGS-THOMSON Microelectronics products are not authorized for use as critical components in life support devices or systems without express written approval of SGS-THOMSON Microelectronics.

© 1997 SGS-THOMSON Microelectronics - Printed in Italy - All Rights Reserved

SGS-THOMSON Microelectronics GROUP OF COMPANIES

Australia - Brazil - Canada - China - France - Germany - Italy - Japan - Korea - Malaysia - Malta - Morocco - The Netherlands -
Singapore - Spain - Sweden - Switzerland - Taiwan - Thailand - United Kingdom - U.S.A

...