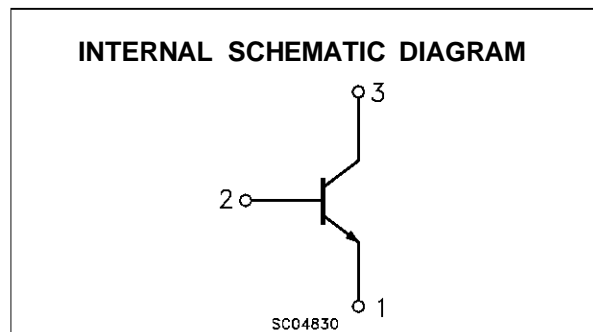
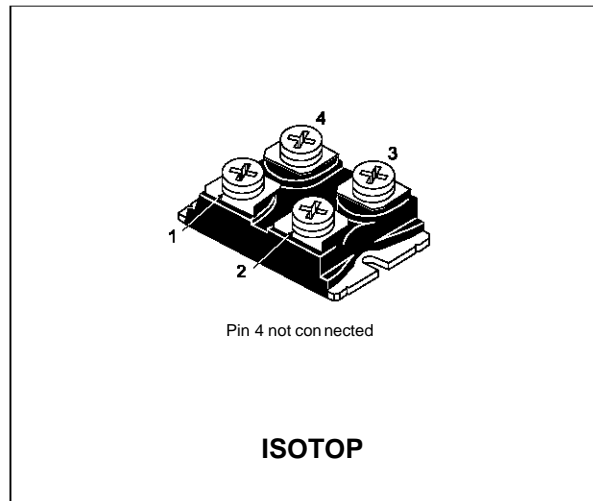


## NPN TRANSISTOR POWER MODULE

- NPN TRANSISTOR
- HIGH CURRENT POWER BIPOLAR MODULE
- VERY LOW  $R_{th}$  JUNCTION CASE
- SPECIFIED ACCIDENTAL OVERLOAD AREAS
- ISOLATED CASE (2500V RMS)
- EASY TO MOUNT
- LOW INTERNAL PARASITIC INDUCTANCE

### APPLICATIONS:

- MOTOR CONTROL
- SMPS & UPS
- WELDING EQUIPMENT



### ABSOLUTE MAXIMUM RATINGS

Symbol	Parameter	Value	Unit
$V_{CEV}$	Collector-Emitter Voltage ( $V_{BE} = -5\text{ V}$ )	1000	V
$V_{CEO(sus)}$	Collector-Emitter Voltage ( $I_B = 0$ )	450	V
$V_{EBO}$	Emitter-Base Voltage ( $I_C = 0$ )	7	V
$I_C$	Collector Current	50	A
$I_{CM}$	Collector Peak Current ( $t_p = 10\text{ ms}$ )	75	A
$I_B$	Base Current	10	A
$I_{BM}$	Base Peak Current ( $t_p = 10\text{ ms}$ )	16	A
$P_{tot}$	Total Dissipation at $T_C = 25\text{ }^\circ\text{C}$	250	W
$T_{stg}$	Storage Temperature	-55 to 150	$^\circ\text{C}$
$T_j$	Max. Operating Junction Temperature	150	$^\circ\text{C}$
$V_{ISO}$	Insulation Withstand Voltage (AC-RMS)	2500	V

**THERMAL DATA**

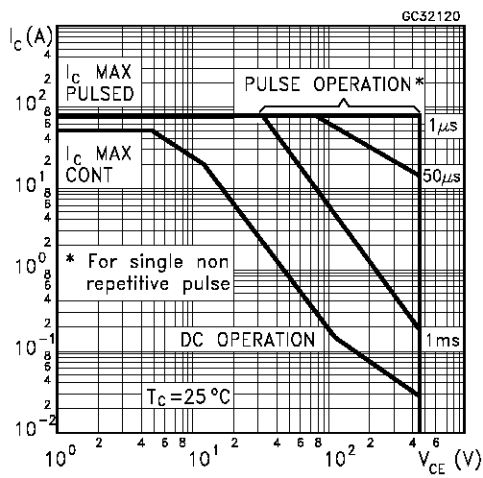
$R_{thj-case}$	Thermal Resistance Junction-case	Max	0.5	$^{\circ}C/W$
$R_{thc-h}$	Thermal Resistance Case-heatsink With Conductive Grease Applied	Max	0.05	$^{\circ}C/W$

**ELECTRICAL CHARACTERISTICS** ( $T_{case} = 25^{\circ}C$  unless otherwise specified)

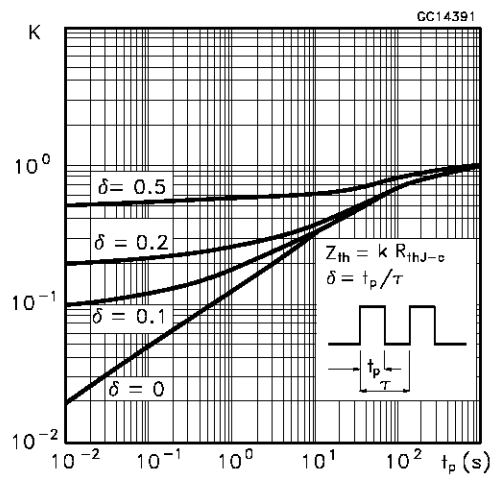
Symbol	Parameter	Test Conditions	Min.	Typ.	Max.	Unit
$I_{CER}$	Collector Cut-off Current ( $R_{BE} = 5 \Omega$ )	$V_{CE} = V_{CEV}$ $V_{CE} = V_{CEV} \quad T_j = 100^{\circ}C$			0.4 2	mA mA
$I_{CEV}$	Collector Cut-off Current ( $V_{BE} = -5V$ )	$V_{CE} = V_{CEV}$ $V_{CE} = V_{CEV} \quad T_j = 100^{\circ}C$			0.4 2	mA mA
$I_{EBO}$	Emitter Cut-off Current ( $I_C = 0$ )	$V_{EB} = 5 V$			2	mA
$V_{CEO(SUS)}^*$	Collector-Emitter Sustaining Voltage	$I_C = 0.2 A \quad L = 25 mH$ $V_{clamp} = 450 V$	450			V
$h_{FE}^*$	DC Current Gain	$I_C = 32 A \quad V_{CE} = 5 V$		12		
$V_{CE(sat)}^*$	Collector-Emitter Saturation Voltage	$I_C = 32 A \quad I_B = 6.4 A$ $I_C = 32 A \quad I_B = 6.4 A \quad T_j = 100^{\circ}C$		0.35 0.6	1.2 2	V V
$V_{BE(sat)}^*$	Base-Emitter Saturation Voltage	$I_C = 32 A \quad I_B = 6.4 A$ $I_C = 32 A \quad I_B = 6.4 A \quad T_j = 100^{\circ}C$		1 0.9	1.5 1.5	V V
$di_C/dt$	Rate of Rise of On-state Collector	$V_{CC} = 300 V \quad R_C = 0 \quad t_p = 3 \mu s$ $I_{B1} = 9.6 A \quad T_j = 100^{\circ}C$	160	210		A/ $\mu s$
$V_{CE(3 \mu s)}$	Collector-Emitter Dynamic Voltage	$V_{CC} = 300 V \quad R_C = 9.3 \Omega$ $I_{B1} = 9.6 A \quad T_j = 100^{\circ}C$		4.5	8	V
$V_{CE(5 \mu s)}$	Collector-Emitter Dynamic Voltage	$V_{CC} = 300 V \quad R_C = 9.3 \Omega$ $I_{B1} = 9.6 A \quad T_j = 100^{\circ}C$		2.5	4	V
$t_s$	Storage Time	$I_C = 32 A \quad V_{CC} = 50 V$		3.2	4.5	$\mu s$
$t_f$	Fall Time	$V_{BB} = -5 V \quad R_{BB} = 0.39 \Omega$		0.25	0.4	$\mu s$
$t_c$	Cross-over Time	$V_{clamp} = 450 V \quad I_{B1} = 6.4 A$ $L = 78 \mu H \quad T_j = 100^{\circ}C$		0.5	0.7	$\mu s$
$V_{CEW}$	Maximum Collector Emitter Voltage Without Snubber	$I_{CWOFF} = 48 A \quad I_{B1} = 6.4 A$ $V_{BB} = -5 V \quad V_{CC} = 50 V$ $L = 52 \mu H \quad R_{BB} = 0.39 \Omega$ $T_j = 125^{\circ}C$	450			V

\* Pulsed: Pulse duration = 300  $\mu s$ , duty cycle 1.5 %

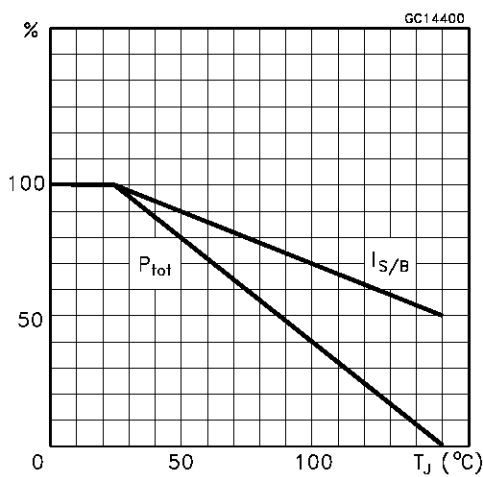
Safe Operating Areas



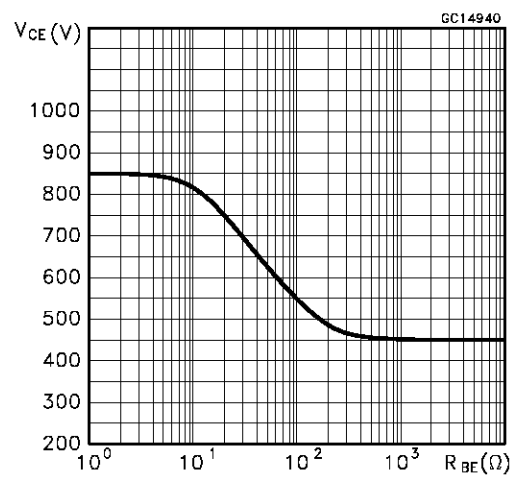
Thermal Impedance



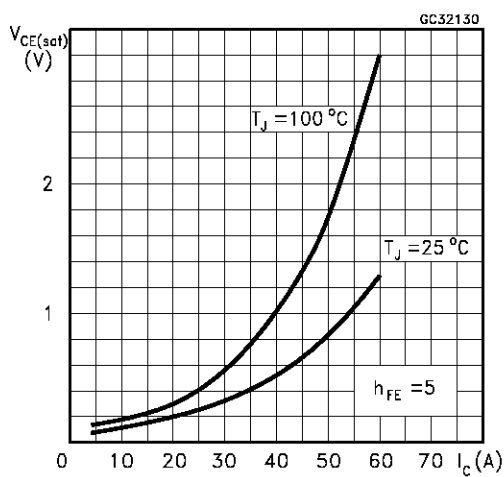
Derating Curve



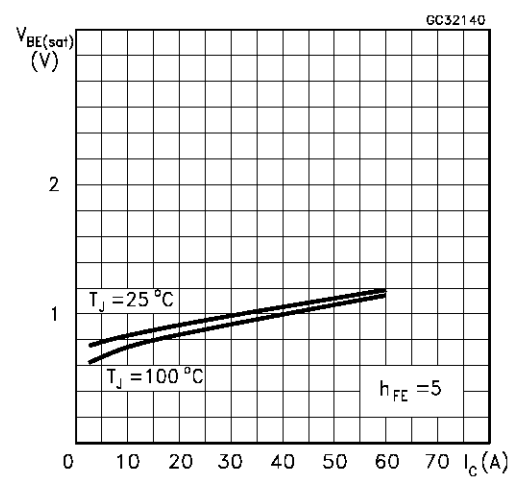
Collector-emitter Voltage Versus base-emitter Resistance



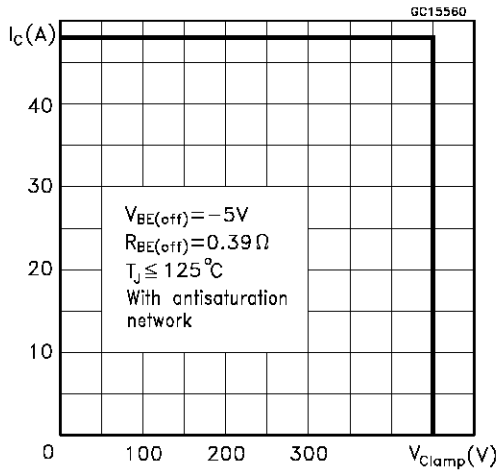
Collector Emitter Saturation Voltage



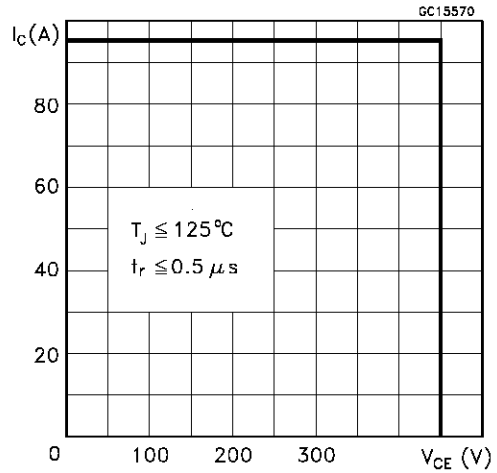
Base-Emitter Saturation Voltage



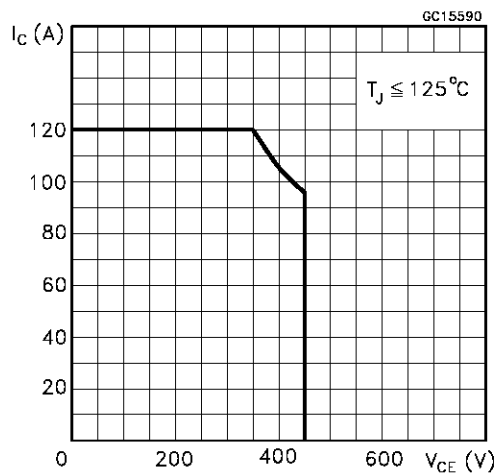
**Reverse Biased SOA**



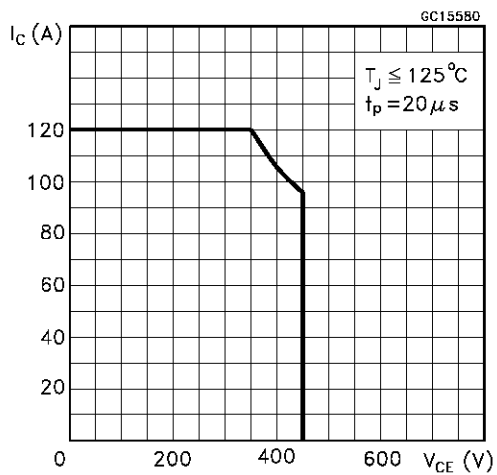
**Forward Biased SOA**



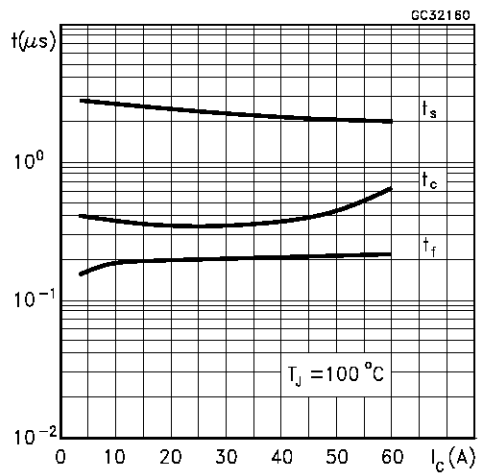
**Reverse Biased AOA**



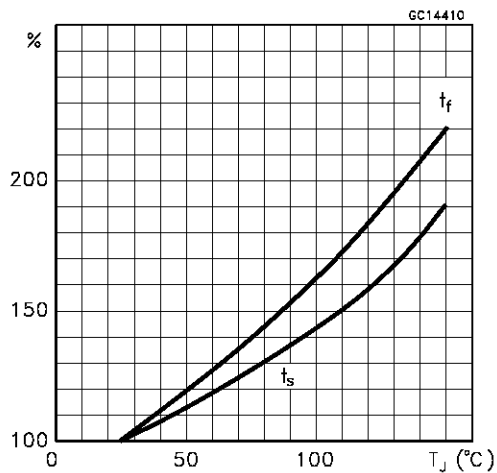
**Forward Biased AOA**



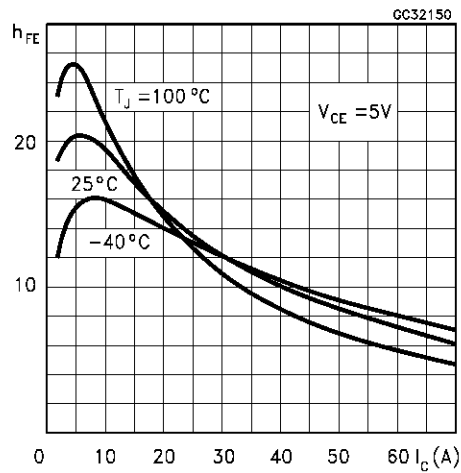
**Switching Times Inductive Load**



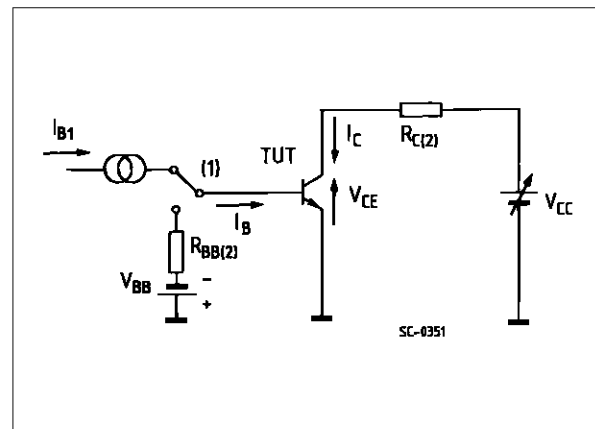
**Switching Times Inductive Load Versus Temperature**



Dc Current Gain

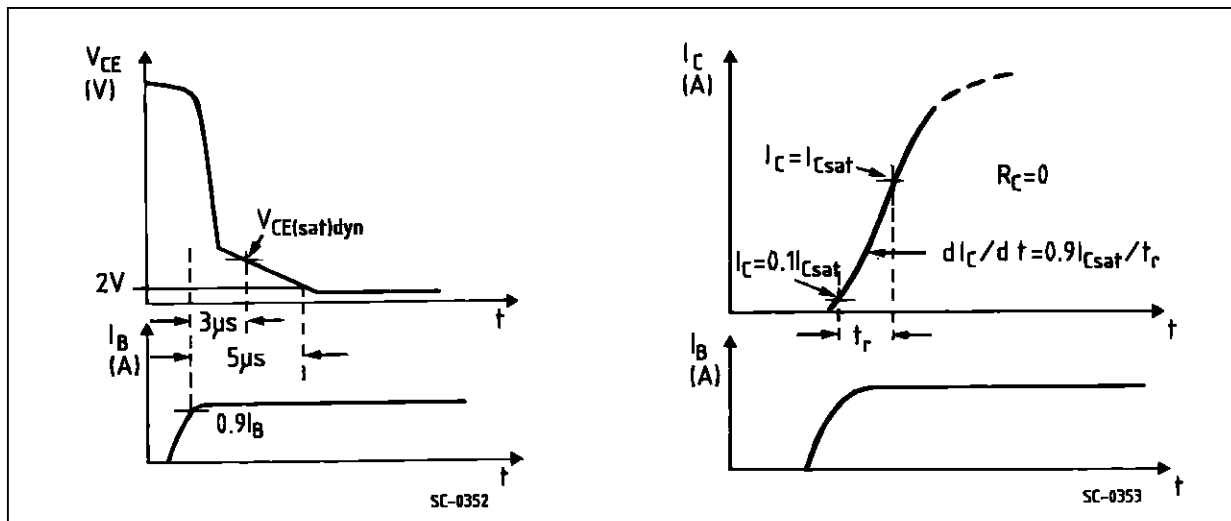


Turn-on Switching Test Circuit

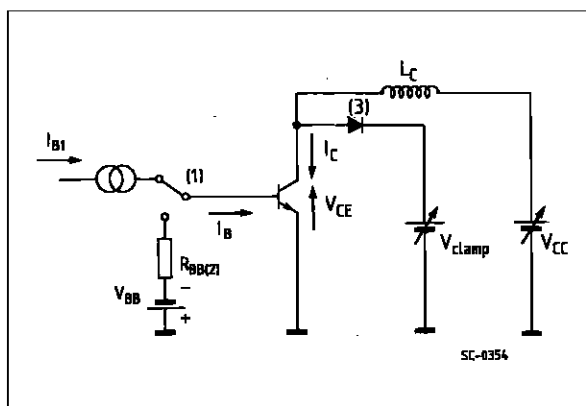


(1) Fast electronics switch (2) Non-inductive load

Turn-on Switching Waveforms

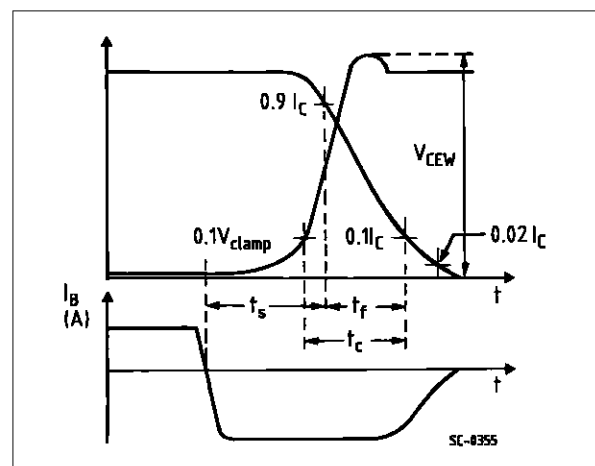


Turn-off Switching Test Circuit



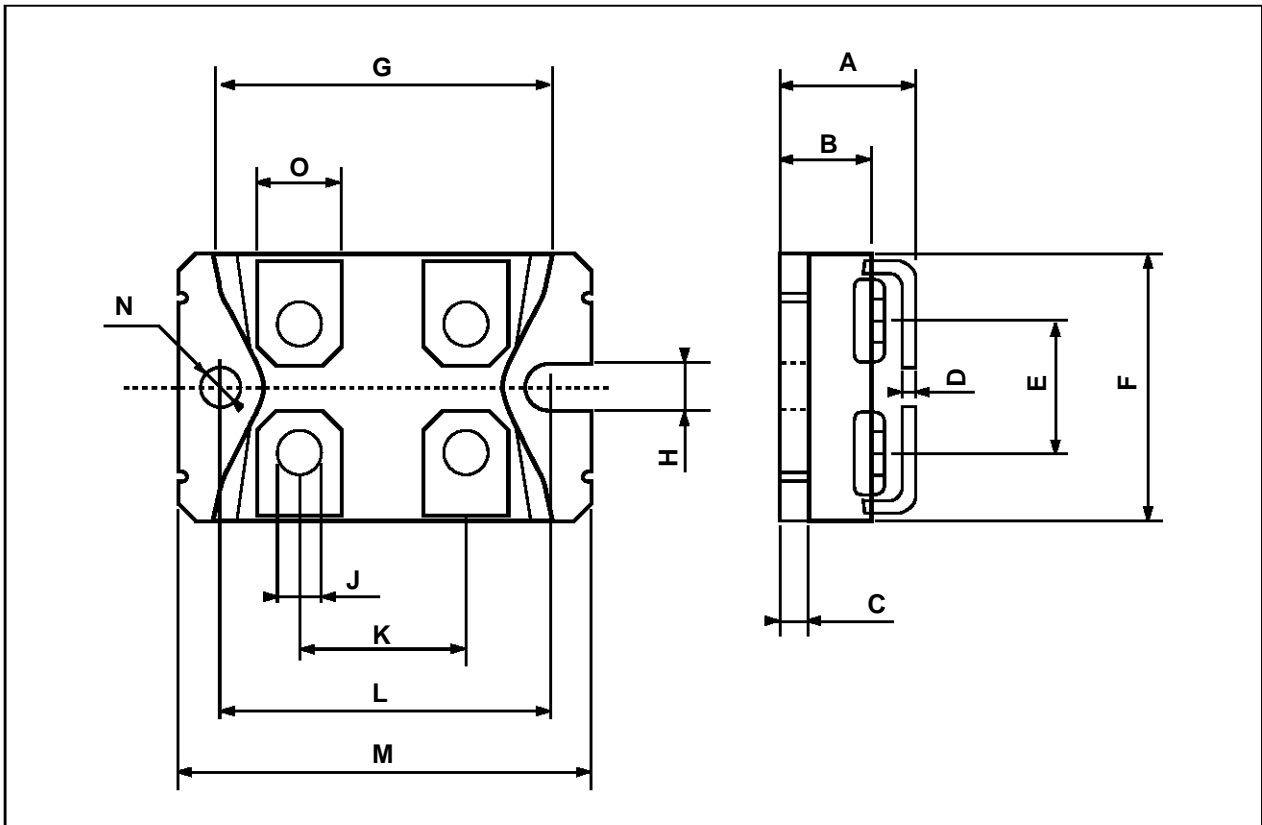
(1) Fast electronic switch (2) Non-inductive load (3) Fast recovery rectifier

Turn-off Switching Waveforms



ISOTOP MECHANICAL DATA

DIM.	mm			inch		
	MIN.	TYP.	MAX.	MIN.	TYP.	MAX.
A	11.8		12.2	0.466		0.480
B	8.9		9.1	0.350		0.358
C	1.95		2.05	0.076		0.080
D	0.75		0.85	0.029		0.033
E	12.6		12.8	0.496		0.503
F	25.15		25.5	0.990		1.003
G	31.5		31.7	1.240		1.248
H	4			0.157		
J	4.1		4.3	0.161		0.169
K	14.9		15.1	0.586		0.594
L	30.1		30.3	1.185		1.193
M	37.8		38.2	1.488		1.503
N	4			0.157		
O	7.8		8.2	0.307		0.322



Information furnished is believed to be accurate and reliable. However, SGS-THOMSON Microelectronics assumes no responsibility for the consequences of use of such information nor for any infringement of patents or other rights of third parties which may result from its use. No license is granted by implication or otherwise under any patent or patent rights of SGS-THOMSON Microelectronics. Specifications mentioned in this publication are subject to change without notice. This publication supersedes and replaces all information previously supplied. SGS-THOMSON Microelectronics products are not authorized for use as critical components in life support devices or systems without express written approval of SGS-THOMSON Microelectronics.

© 1997 SGS-THOMSON Microelectronics - Printed in Italy - All Rights Reserved

SGS-THOMSON Microelectronics GROUP OF COMPANIES  
Australia - Brazil - Canada - China - France - Germany - Hong Kong - Italy - Japan - Korea - Malaysia - Malta - Morocco - The Netherlands -  
Singapore - Spain - Sweden - Switzerland - Taiwan - Thailand - United Kingdom - U.S.A  
...