



# M48T59 M48T59Y/M48T59V

## 64 Kbit (8Kb x8) TIMEKEEPER<sup>®</sup> SRAM

PRELIMINARY DATA

- INTEGRATED ULTRA LOW POWER SRAM, REAL TIME CLOCK, POWER-FAIL CONTROL CIRCUIT and BATTERY
- FREQUENCY TEST OUTPUT for REAL TIME CLOCK SOFTWARE CALIBRATION
- AUTOMATIC POWER-FAIL CHIP DESELECT and WRITE PROTECTION
- WRITE PROTECT VOLTAGES ( $V_{PFD}$  = Power-fail Deselect Voltage):
  - M48T59:  $4.5V \leq V_{PFD} \leq 4.75V$
  - M48T59Y:  $4.2V \leq V_{PFD} \leq 4.5V$
  - M48T59V:  $2.7V \leq V_{PFD} \leq 3.0V$
- SELF-CONTAINED BATTERY and CRYSTAL in the CAPHAT DIP PACKAGE
- PACKAGING INCLUDES a 28-LEAD SOIC and SNAPHAT<sup>®</sup> TOP (to be Ordered Separately)
- SOIC PACKAGE PROVIDES DIRECT CONNECTION for a SNAPHAT TOP which CONTAINS the BATTERY and CRYSTAL
- MICROPROCESSOR POWER-ON RESET (Valid even during battery back-up mode)
- PROGRAMMABLE ALARM OUTPUT ACTIVE in the BATTERY BACK-UP MODE
- BATTERY LOW FLAG

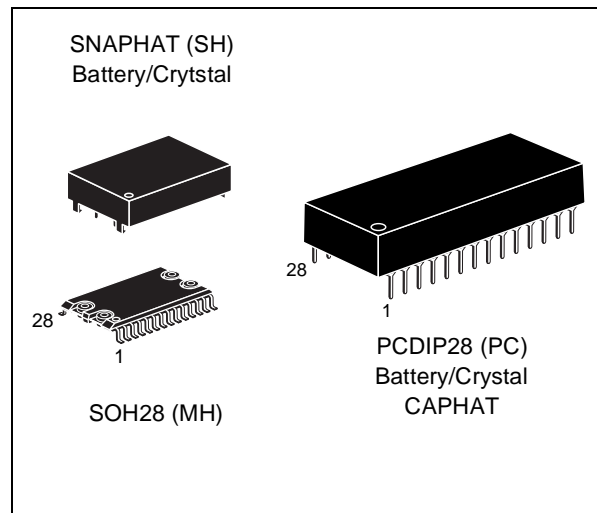


Figure 1. Logic Diagram

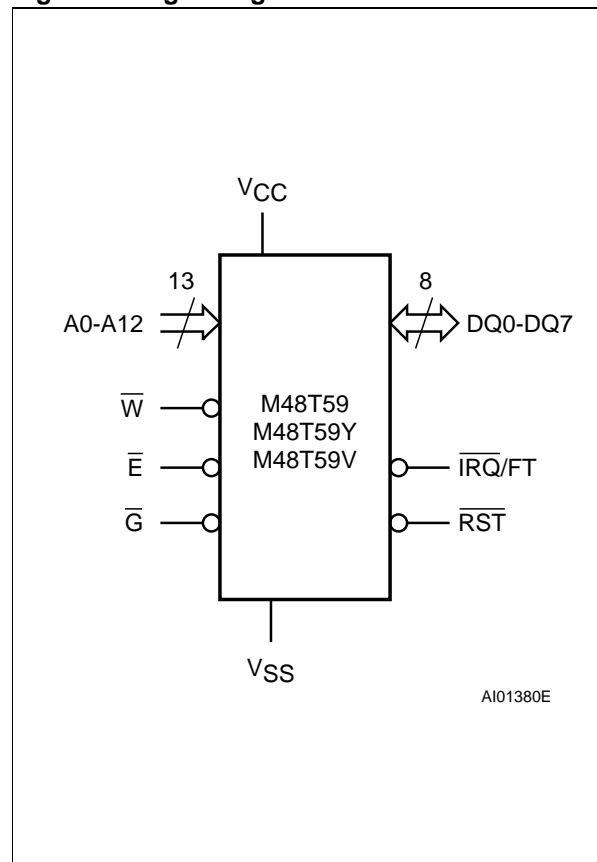


Table 1. Signal Names

A0-A12	Address Inputs
DQ0-DQ7	Data Inputs / Outputs
$\bar{I}R\bar{Q}/FT$	Interrupt / Frequency Test Output (Open Drain)
$\bar{R}ST$	Power Fail Reset Output (Open Drain)
$\bar{E}$	Chip Enable
$\bar{G}$	Output Enable
$\bar{W}$	Write Enable
Vcc	Supply Voltage
Vss	Ground

# M48T59, M48T59Y, M48T59V

Figure 2A. DIP Connections

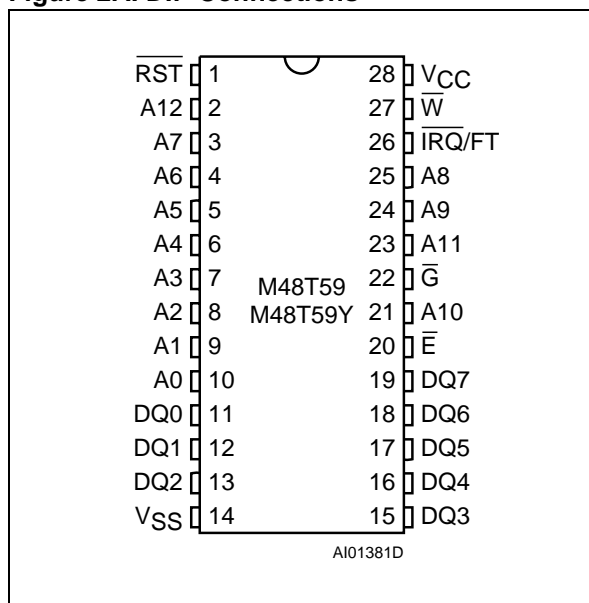


Figure 2B. SOIC Connections

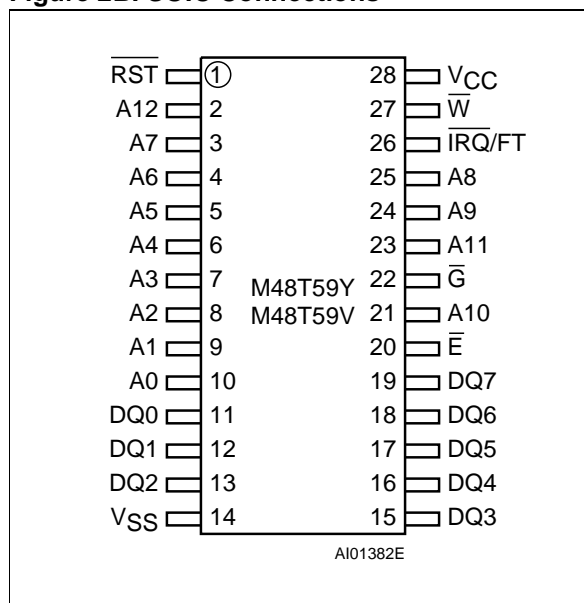


Table 2. Absolute Maximum Ratings (1)

Symbol	Parameter	Value	Unit
T <sub>A</sub>	Ambient Operating Temperature	Grade 1	0 to 70
		Grade 6	-40 to 85
T <sub>STG</sub>	Storage Temperature (V <sub>CC</sub> Off, Oscillator Off)	-40 to 85	°C
T <sub>SLD</sub> (2)	Lead Solder Temperature for 10 seconds	260	°C
V <sub>IO</sub>	Input or Output Voltages	-0.3 to 7	V
V <sub>CC</sub>	Supply Voltage	M48T59/M48T59Y	-0.3 to 7
		M48T59V	-0.3 to 4.6
I <sub>O</sub>	Output Current	20	mA
P <sub>D</sub>	Power Dissipation	1	W

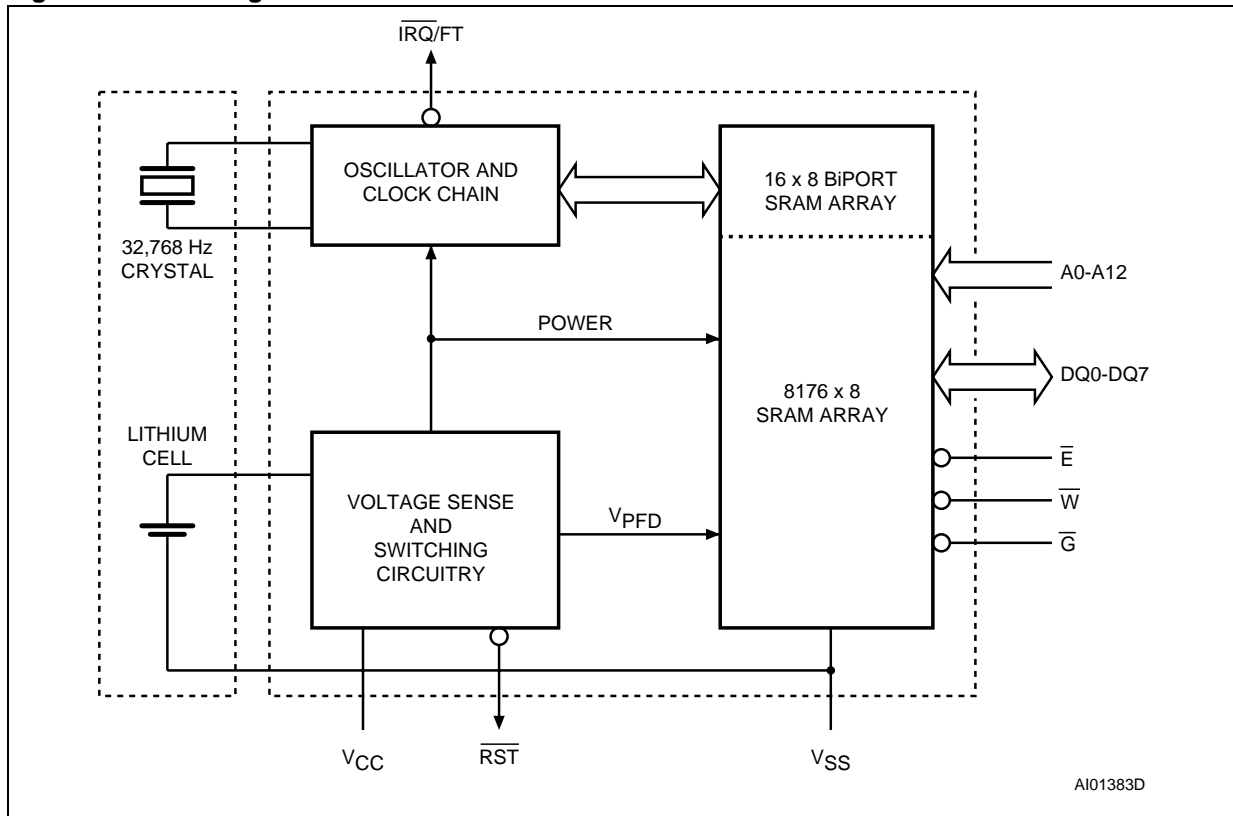
Note: 1. Stresses greater than those listed under "Absolute Maximum Ratings" may cause permanent damage to the device. This is a stress rating only and functional operation of the device at these or any other conditions above those indicated in the operational section of this specification is not implied. Exposure to the absolute maximum rating conditions for extended periods of time may affect reliability.  
 2. Soldering temperature not to exceed 260°C for 10 seconds (total thermal budget not to exceed 150°C for longer than 30 seconds).  
**CAUTION:** Negative undershoots below -0.3V are not allowed on any pin while in the Battery Back-up mode.  
**CAUTION:** Do NOT wave solder SOIC to avoid damaging SNAPHAT sockets.

Table 3. Operating Modes (1)

Mode	V <sub>CC</sub>	$\bar{E}$	$\bar{G}$	$\bar{W}$	DQ7-DQ0	Power
Deselect	4.75V to 5.5V or 4.5V to 5.5V or 3.0V to 3.6V	V <sub>IH</sub>	X	X	High Z	Standby
Write		V <sub>IL</sub>	X	V <sub>IL</sub>	D <sub>IN</sub>	Active
Read		V <sub>IL</sub>	V <sub>IL</sub>	V <sub>IH</sub>	D <sub>OUT</sub>	Active
Read		V <sub>IL</sub>	V <sub>IH</sub>	V <sub>IH</sub>	High Z	Active
Deselect	V <sub>SO</sub> to V <sub>PFD</sub> (min) (2)	X	X	X	High Z	CMOS Standby
Deselect	≤ V <sub>SO</sub>	X	X	X	High Z	Battery Back-up Mode

Note: 1. X = V<sub>IH</sub> or V<sub>IL</sub>; V<sub>SO</sub> = Battery Back-up Switchover Voltage.  
 2. See Table 7 for details.

Figure 3. Block Diagram



**DESCRIPTION**

The M48T59/59Y/59V TIMEKEEPER® RAM is an 8Kb x8 non-volatile static RAM and real time clock. The monolithic chip is available in two special packages to provide a highly integrated battery backed-up memory and real time clock solution.

The M48T59/59Y/59V is a non-volatile pin and function equivalent to any JEDEC standard 8Kb x8 SRAM. It also easily fits into many ROM, EPROM, and EEPROM sockets, providing the non-volatility of PROMs without any requirement for special write timing or limitations on the number of writes that can be performed.

The 28 pin 600mil DIP CAPHAT™ houses the M48T59/59Y/59V silicon with a quartz crystal and a long life lithium button cell in a single package.

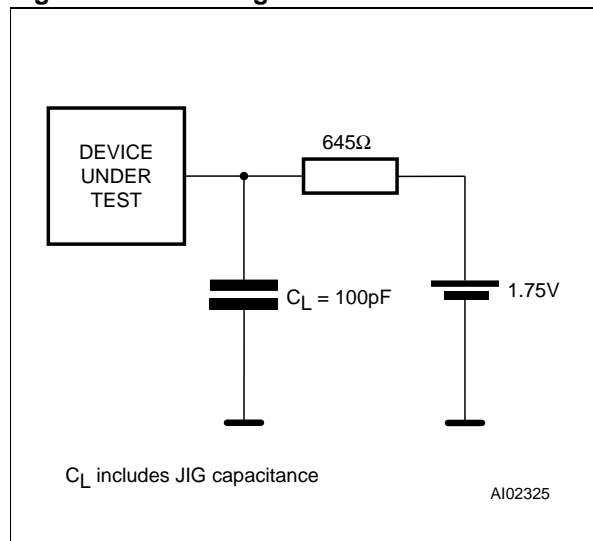
The 28 pin 330mil SOIC provides sockets with gold plated contacts at both ends for direct connection to a separate SNAPHAT housing containing the battery and crystal. The unique design allows the SNAPHAT battery package to be mounted on top of the SOIC package after the completion of the surface mount process. Insertion of the SNAPHAT housing after reflow prevents potential battery and crystal damage due to the high temperatures required for device surface-mounting. The SNAPHAT housing is keyed to prevent reverse insertion.

Table 4. AC Measurement Conditions

Input Rise and Fall Times	≤ 5ns
Input Pulse Voltages	0 to 3V
Input and Output Timing Ref. Voltages	1.5V

Note that Output Hi-Z is defined as the point where data is no longer driven.

Figure 4. AC Testing Load Circuit



Note: Excluding open-drain output pins.

## M48T59, M48T59Y, M48T59V

**Table 5. Capacitance (1, 2)**

( $T_A = 25\text{ }^\circ\text{C}$ )

Symbol	Parameter	Test Condition	Min	Max	Unit
$C_{IN}$	Input Capacitance	$V_{IN} = 0V$		10	pF
$C_{IO}^{(3)}$	Input / Output Capacitance	$V_{OUT} = 0V$		10	pF

Note: 1. Effective capacitance measured with power supply at 5V.

2. Sampled only, not 100% tested.

3. Outputs deselected.

**Table 6. DC Characteristics**

( $T_A = 0$  to  $70\text{ }^\circ\text{C}$  or  $-40$  to  $85\text{ }^\circ\text{C}$ ;  $V_{CC} = 4.75V$  to  $5.5V$  or  $4.5V$  to  $5.5V$  or  $3.0V$  to  $3.6V$ )

Symbol	Parameter	Test Condition	M48T59/Y		M48T59V		Unit
			Min	Max	Min	Max	
$I_{LI}^{(1)}$	Input Leakage Current	$0V \leq V_{IN} \leq V_{CC}$		$\pm 1$		$\pm 1$	$\mu A$
$I_{LO}^{(1)}$	Output Leakage Current	$0V \leq V_{OUT} \leq V_{CC}$		$\pm 1$		$\pm 1$	$\mu A$
$I_{CC}$	Supply Current	Outputs open		50		30	mA
$I_{CC1}$	Supply Current (Standby) TTL	$\bar{E} = V_{IH}$		3		2	mA
$I_{CC2}$	Supply Current (Standby) CMOS	$\bar{E} = V_{CC} - 0.2V$		3		1	mA
$V_{IL}^{(2)}$	Input Low Voltage		-0.3	0.8	-0.3	0.8	V
$V_{IH}$	Input High Voltage		2.2	$V_{CC} + 0.3$	2	$V_{CC} + 0.3$	V
$V_{OL}$	Output Low Voltage	$I_{OL} = 2.1mA$		0.4		0.4	V
	Output Low Voltage ( $\overline{IRQ/FT}$ and $\overline{RST}$ ) <sup>(3)</sup>	$I_{OL} = 10mA$		0.4		0.4	V
$V_{OH}$	Output High Voltage	$I_{OH} = -1mA$	2.4		2.4		V

Note: 1. Outputs deselected.

2. Negative spikes of -1V allowed for up to 10ns once per cycle.

3. The  $\overline{IRQ/FT}$  and  $\overline{RST}$  pins are Open Drain.

**Table 7. Power Down/Up Trip Points DC Characteristics (1)**

( $T_A = 0$  to  $70\text{ }^\circ\text{C}$  or  $-40$  to  $85\text{ }^\circ\text{C}$ )

Symbol	Parameter		Min	Typ	Max	Unit
$V_{PFD}$	Power-fail Deselect Voltage	M48T59	4.5	4.6	4.75	V
		M48T59Y	4.2	4.35	4.5	V
		M48T59V	2.7	2.9	3.0	V
$V_{SO}$	Battery Back-up Switchover Voltage	M48T59/Y		3.0		V
		M48T59V		$V_{PFD} - 100mV$		V
$t_{DR}$	ExpectedDataRetentionTime(at25°C)	Grade 1	7			YEARS
		Grade 6	10 <sup>(2)</sup>			YEARS

Note: 1. All voltages referenced to  $V_{SS}$ .

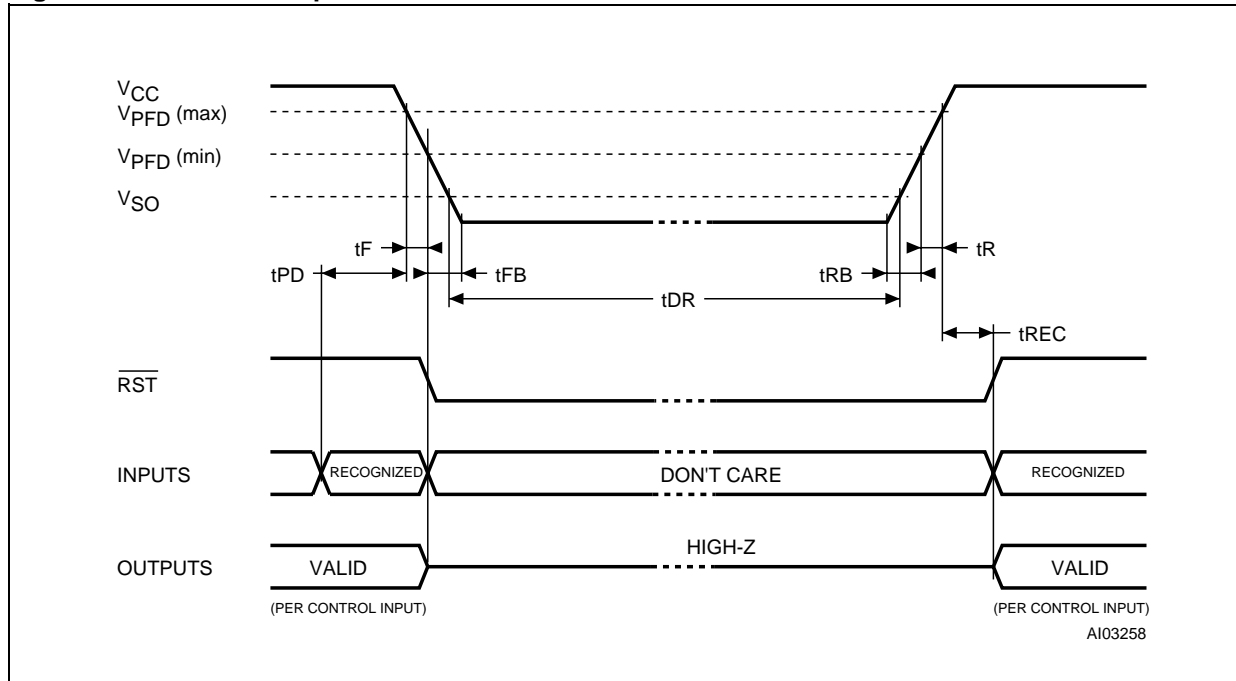
2. Using larger M4T32-BR12SH6 SNAPHAT top (recommended for Industrial Temperature Range - grade 6 device).

**Table 8. Power Down/Up AC Characteristics**  
( $T_A = 0$  to  $70\text{ }^\circ\text{C}$  or  $-40$  to  $85\text{ }^\circ\text{C}$ )

Symbol	Parameter	Min	Max	Unit
$t_{PD}$	$\bar{E}$ or $\bar{W}$ at $V_{IH}$ before Power Down	0		$\mu\text{s}$
$t_F^{(1)}$	$V_{PFD}(\text{max})$ to $V_{PFD}(\text{min})$ $V_{CC}$ Fall Time	300		$\mu\text{s}$
$t_{FB}^{(2)}$	$V_{PFD}(\text{min})$ to $V_{SS}$ $V_{CC}$ Fall Time	M48T59/Y	10	$\mu\text{s}$
		M48T59V	150	$\mu\text{s}$
$t_R$	$V_{PFD}(\text{min})$ to $V_{PFD}(\text{max})$ $V_{CC}$ Rise Time	10		$\mu\text{s}$
$t_{RB}$	$V_{SS}$ to $V_{PFD}(\text{min})$ $V_{CC}$ Rise Time	1		$\mu\text{s}$
$t_{REC}^{(3)}$	$V_{PFD}(\text{max})$ to $\bar{RST}$ High	40	200	ms

Note: 1.  $V_{PFD}(\text{max})$  to  $V_{PFD}(\text{min})$  fall time of less than  $t_F$  may result in deselection/write protection not occurring until  $200\mu\text{s}$  after  $V_{CC}$  passes  $V_{PFD}(\text{min})$ .  
 2.  $V_{PFD}(\text{min})$  to  $V_{SS}$  fall time of less than  $t_{FB}$  may cause corruption of RAM data.  
 3.  $t_{REC}(\text{min}) = 20\text{ms}$  for industrial temperature grade 6 device.

**Figure 5. Power Down/Up Mode AC Waveforms**



The SOIC and battery/crystal packages are shipped separately in plastic anti-static tubes or in Tape & Reel form. For the 28 lead SOIC, the battery/crystal package (i.e. SNAPHAT) part number is "M4T28-BR12SH" or "M4T32-BR12SH".

**Caution:** Do not place the SNAPHAT battery/crystal top in conductive foam, as this will drain the lithium button-cell battery.

As Figure 3 shows, the static memory array and the quartz controlled clock oscillator of the M48T59/59Y/59V are integrated on one silicon chip.

The two circuits are interconnected at the upper eight memory locations to provide user accessible BYTEWIDE™ clock information in the bytes with addresses 1FF8h-1FFFh. The clock locations contain the century, year, month, date, day, hour, minute, and second in 24 hour BCD format (except for the century). Corrections for 28, 29 (leap year), 30, and 31 day months are made automatically. Byte 1FF8h is the clock control register. This byte controls user access to the clock information and also stores the clock calibration setting.

## M48T59, M48T59Y, M48T59V

**Table 9. Read Mode AC Characteristics**

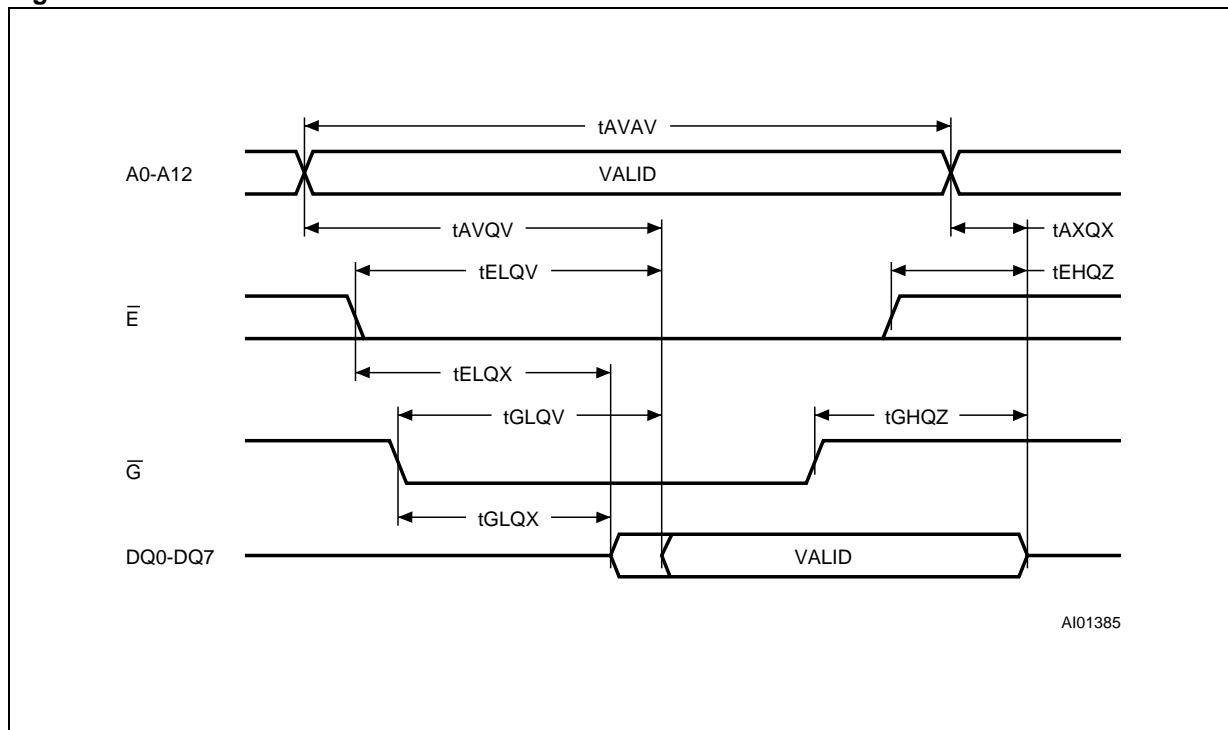
( $T_A = 0$  to  $70$  °C or  $-40$  to  $85$  °C;  $V_{CC} = 4.75V$  to  $5.5V$  or  $4.5V$  to  $5.5V$  or  $3.0V$  to  $3.6V$ )

Symbol	Parameter	M48T59/M48T59Y/M48T59V		Unit
		-70		
		Min	Max	
$t_{AVAV}$	Read Cycle Time	70		ns
$t_{AVQV}^{(1)}$	Address Valid to Output Valid		70	ns
$t_{ELQV}^{(1)}$	Chip Enable Low to Output Valid		70	ns
$t_{GLQV}^{(1)}$	Output Enable Low to Output Valid		35	ns
$t_{ELQX}^{(2)}$	Chip Enable Low to Output Transition	5		ns
$t_{GLQX}^{(2)}$	Output Enable Low to Output Transition	5		ns
$t_{EHQZ}^{(2)}$	Chip Enable High to Output Hi-Z		25	ns
$t_{GHQZ}^{(2)}$	Output Enable High to Output Hi-Z		25	ns
$t_{AXQX}^{(1)}$	Address Transition to Output Transition	10		ns

Note: 1.  $C_L = 100pF$  (see Fig 4).

2.  $C_L = 5pF$  (see Fig 4).

**Figure 6. Read Mode AC Waveforms.**



Note: Write Enable ( $\bar{W}$ ) = High.

**Table 10. Write Mode AC Characteristics**(T<sub>A</sub> = 0 to 70 °C or –40 to 85 °C; V<sub>CC</sub> = 4.75V to 5.5V or 4.5V to 5.5V or 3.0V to 3.6V)

Symbol	Parameter	M48T59/M48T59Y/M48T59V		Unit
		-70		
		Min	Max	
t <sub>AVAV</sub>	Write Cycle Time	70		ns
t <sub>AVWL</sub>	Address Valid to Write Enable Low	0		ns
t <sub>AVEL</sub>	Address Valid to Chip Enable Low	0		ns
t <sub>WLWH</sub>	Write Enable Pulse Width	50		ns
t <sub>ELEH</sub>	Chip Enable Low to Chip Enable High	55		ns
t <sub>WHAX</sub>	Write Enable High to Address Transition	0		ns
t <sub>EHAX</sub>	Chip Enable High to Address Transition	0		ns
t <sub>DVWH</sub>	Input Valid to Write Enable High	30		ns
t <sub>DVEH</sub>	Input Valid to Chip Enable High	30		ns
t <sub>WHDX</sub>	Write Enable High to Input Transition	5		ns
t <sub>EHDX</sub>	Chip Enable High to Input Transition	5		ns
t <sub>WLQZ</sub> <sup>(1, 2)</sup>	Write Enable Low to Output Hi-Z		25	ns
t <sub>AVWH</sub>	Address Valid to Write Enable High	60		ns
t <sub>AVE1H</sub>	Address Valid to Chip Enable High	60		ns
t <sub>WHQX</sub> <sup>(1, 2)</sup>	Write Enable High to Output Transition	5		ns

Note: 1. C<sub>L</sub> = 5pF (see Fig 4).2. If  $\bar{E}$  goes low simultaneously with  $\bar{W}$  going low, the outputs remain in the high impedance state.

The eight clock bytes are not the actual clock counters themselves; they are memory locations consisting of BiPORT™ read/write memory cells. The M48T59/59Y/59V includes a clock control circuit which updates the clock bytes with current information once per second. The information can be accessed by the user in the same manner as any other location in the static memory array.

The M48T59/59Y/59V also has its own Power-fail Detect circuit. The control circuitry constantly monitors the single 5V supply for an out of tolerance condition. When V<sub>CC</sub> is out of tolerance, the circuit write protects the SRAM, providing a high degree of data security in the midst of unpredictable system operation brought on by low V<sub>CC</sub>. As V<sub>CC</sub> falls below approximately 3V, the control circuitry connects the battery which maintains data and clock operation until valid power returns.

## READ MODE

The M48T59/59Y/59V is in the Read Mode whenever  $\bar{W}$  (Write Enable) is high and  $\bar{E}$  (Chip Enable) is low. The unique address specified by the 13 Address Inputs defines which one of the 8,192 bytes of data is to be accessed. Valid data will be available at the Data I/O pins within Address Access time (t<sub>AVQV</sub>) after the last address input signal is stable, providing that the  $\bar{E}$  and  $\bar{G}$  access times are also satisfied. If the  $\bar{E}$  and  $\bar{G}$  access times are not met, valid data will be available after the latter of the Chip Enable Access time (t<sub>ELQV</sub>) or Output Enable Access time (t<sub>GLQV</sub>).

The state of the eight three-state Data I/O signals is controlled by  $\bar{E}$  and  $\bar{G}$ . If the outputs are activated before t<sub>AVQV</sub>, the data lines will be driven to an indeterminate state until t<sub>AVQV</sub>. If the Address Inputs are changed while  $\bar{E}$  and  $\bar{G}$  remain active, output data will remain valid for Output Data Hold time (t<sub>AXQX</sub>) but will go indeterminate until the next Address Access.

Figure 7. Write Enable Controlled, Write AC Waveform

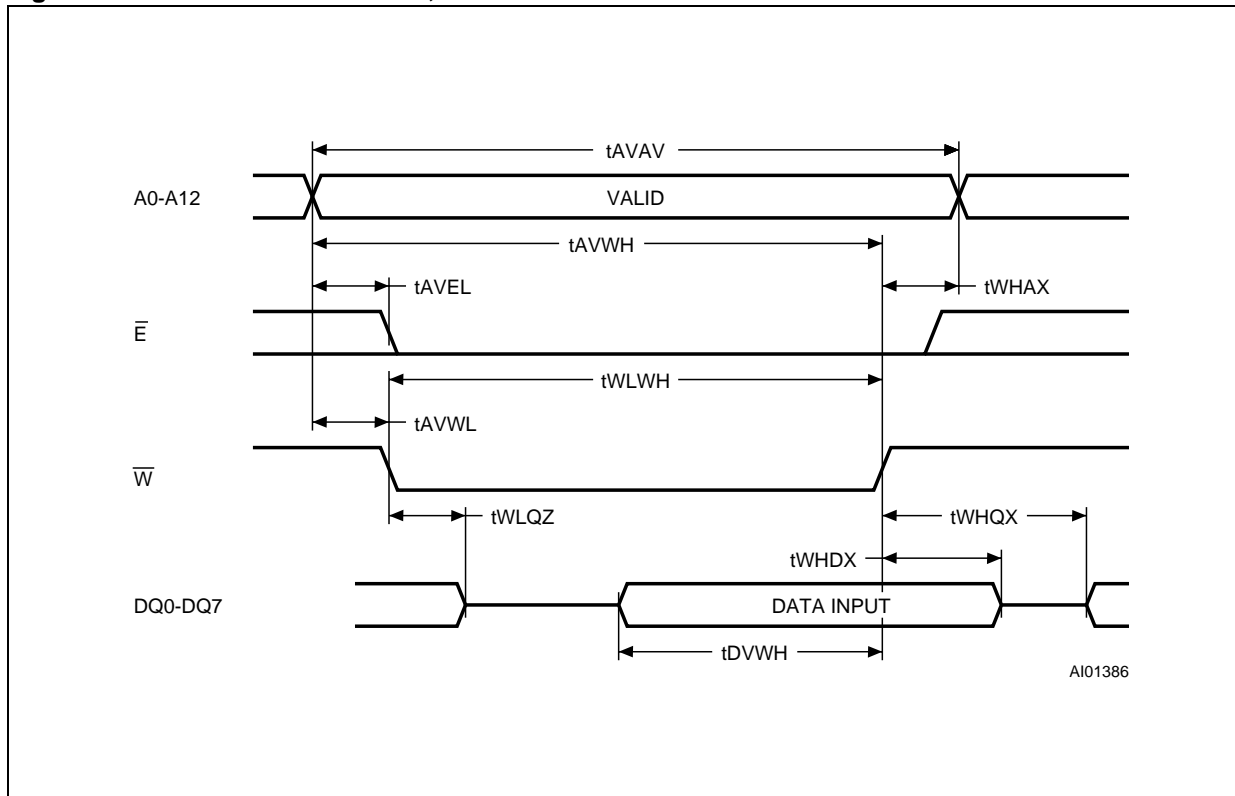
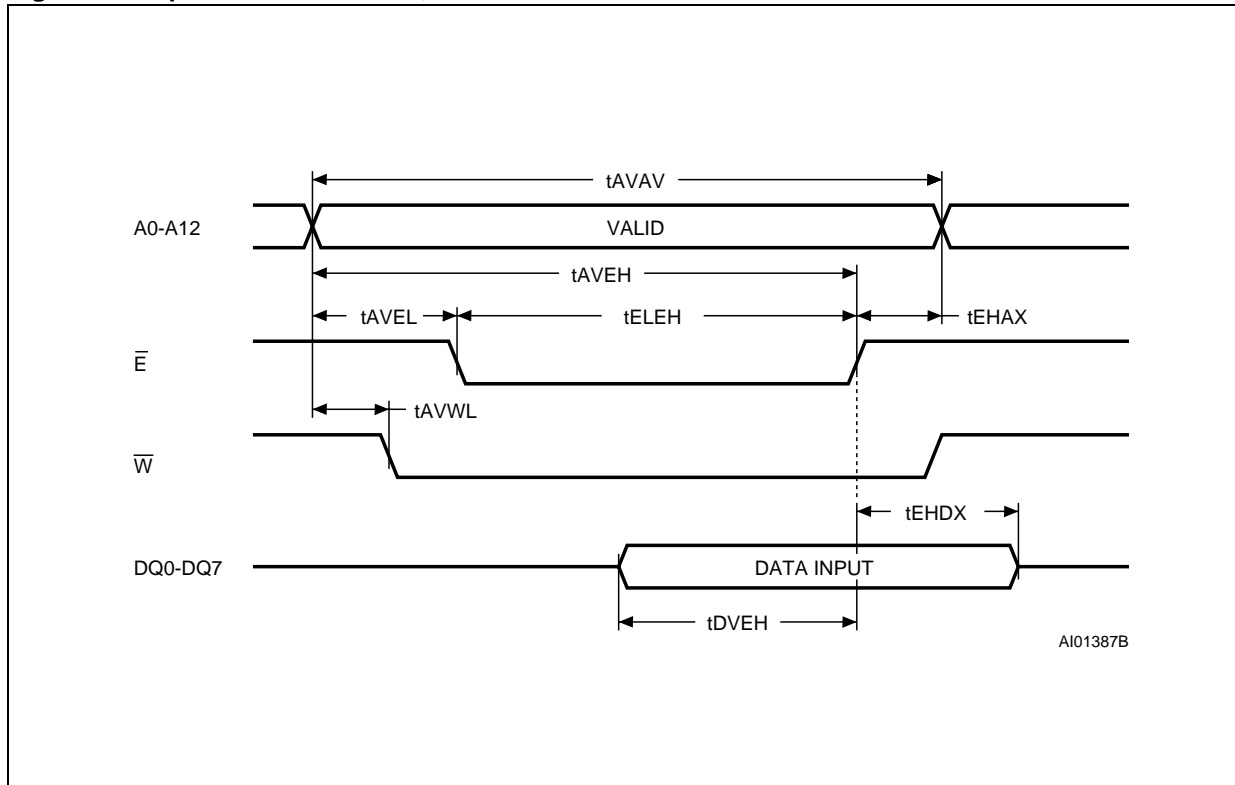


Figure 8. Chip Enable Controlled, Write AC Waveforms





**WRITE MODE**

The M48T59/59Y/59V is in the Write Mode whenever  $\overline{W}$  and  $\overline{E}$  are low. The start of a write is referenced from the latter occurring falling edge of  $\overline{W}$  or  $\overline{E}$ . A write is terminated by the earlier rising edge of  $\overline{W}$  or  $\overline{E}$ . The addresses must be held valid throughout the cycle.  $\overline{E}$  or  $\overline{W}$  must return high for a minimum of  $t_{EHAX}$  from Chip Enable or  $t_{WHAX}$  from Write Enable prior to the initiation of another read or write cycle. Data-in must be valid  $t_{DVWH}$  prior to the end of write and remain valid for  $t_{WHDX}$  afterward.  $\overline{G}$  should be kept high during write cycles to avoid bus contention; although, if the output bus has been activated by a low on  $\overline{E}$  and  $\overline{G}$  a low on  $\overline{W}$  will disable the outputs  $t_{WLQZ}$  after  $\overline{W}$  falls.

**DATA RETENTION MODE**

With valid  $V_{CC}$  applied, the M48T59/59Y/59V operates as a conventional BYTEWIDE static RAM. Should the supply voltage decay, the RAM will automatically power-fail deselect, write protecting itself when  $V_{CC}$  falls within the  $V_{PFD}$  (max),  $V_{PFD}$  (min) window. All outputs become high impedance, and all inputs are treated as "don't care."

**Note:** A power failure during a write cycle may corrupt data at the currently addressed location, but does not jeopardize the rest of the RAM's content. At voltages below  $V_{PFD}$  (min), the user can be assured the memory will be in a write protected state, provided the  $V_{CC}$  fall time is not less than  $t_F$ . The M48T59/59Y/59V may respond to transient noise spikes on  $V_{CC}$  that reach into the deselect window

**Table 11. Register Map**

Address	Data								Function/Range BCD Format	
	D7	D6	D5	D4	D3	D2	D1	D0		
1FFFh	10 Years				Year				Year	00-99
1FFEh	0	0	0	10 M	Month				Month	01-12
1FFDh	0	0	10 Date		Date				Date	01-31
1FFCh	0	FT	CB	CEB	0	Day			Century/Day	00-01/01-07
1FFBh	0	0	10 Hours		Hours				Hour	00-23
1FFAh	0	10 Minutes			Minutes				Minutes	00-59
1FF9h	ST	10 Seconds			Seconds				Seconds	00-59
1FF8h	W	R	S	Calibration					Control	
1FF7h	WDS	BMB4	BMB3	BMB2	BMB1	BMB0	RB1	RB0	Watchdog	
1FF6h	AFE	Y	ABE	Y	Y	Y	Y	Y	Interrupts	
1FF5h	RPT4	Y	Al. 10 Date		Alarm Date				Alarm Date	01-31
1FF4h	RPT3	Y	Al. 10 Hours		Alarm Hours				Alarm Hours	00-23
1FF3h	RPT2	Alarm 10 Minutes			Alarm Minutes				Alarm Minutes	00-59
1FF2h	RPT1	Alarm 10 Seconds			Alarm Seconds				Alarm Seconds	00-59
1FF1h	Y	Y	Y	Y	Y	Y	Y	Y	Unused	
1FF0h	WDF	AF	Z	BL	Z	Z	Z	Z	Flags	

Keys: S = SIGN Bit  
 FT = FREQUENCY TEST Bit  
 R = READ Bit  
 W = WRITE Bit  
 ST = STOP Bit  
 0 = Must be set to zero  
 Y = '1' or '0'  
 Z = '0' and are Read only  
 AF = Alarm Flag  
 BL = Battery Low

WDS = Watchdog Steering Bit  
 BMB0-BMB4 = Watchdog Multiplier Bits  
 RB0-RB1 = Watchdog Resolution Bits  
 AFE = Alarm Flag Enable  
 ABE = Alarm in Battery Back-up Mode Enable  
 RPT1-RPT4 = Alarm Repeat Mode Bits  
 WDF = Watchdog Flag  
 CEB = Century Enable Bit  
 CB = Century Bit

## M48T59, M48T59Y, M48T59V

during the time the device is sampling  $V_{CC}$ . Therefore, decoupling of the power supply lines is recommended.

When  $V_{CC}$  drops below  $V_{SO}$ , the control circuit switches power to the internal battery which preserves data and powers the clock. The internal button cell will maintain data in the M48T59/59Y/59V for an accumulated period of at least 7 years when  $V_{CC}$  is less than  $V_{SO}$ . As system power returns and  $V_{CC}$  rises above  $V_{SO}$ , the battery is disconnected, and the power supply is switched to external  $V_{CC}$ . Deselect continues for  $t_{REC}$  after  $V_{CC}$  reaches  $V_{PFD}$  (max).

For more information on Battery Storage Life refer to the Application Note AN1012.

### POWER-ON RESET

The M48T59/59Y/59V continuously monitors  $V_{CC}$ . When  $V_{CC}$  falls to the power fail detect trip point, the  $\overline{RST}$  pulls low (open drain) and remains low on power-up for 40ms to 200ms after  $V_{CC}$  passes  $V_{PFD}$ .  $\overline{RST}$  is valid for all  $V_{CC}$  conditions. The  $\overline{RST}$  pin is an open drain output and an appropriate resistor to  $V_{CC}$  should be chosen to control rise time.

### PROGRAMMABLE INTERRUPTS

The M48T59/59Y/59V provides two programmable interrupts; an alarm and a watchdog. When an interrupt condition occurs, the M48T59/59Y/59V sets the appropriate flag bit in the flag register 1FF0h. The interrupt enable bits in (AFE and ABE) in 1FF6h and the Watchdog Steering (WDS) bit in 1FF7h allow the interrupt to activate the  $\overline{IRQ}/FT$  pin.

The interrupt flags and the  $\overline{IRQ}/FT$  output are cleared by a read to the flags register. An interrupt

condition reset will not occur unless the addresses are stable at the flag location for at least 15ns while the device is in the read mode as shown in Figure 11.

The  $\overline{IRQ}/FT$  pin is an open drain output and requires a pull-up resistor (10k $\Omega$  recommended) to  $V_{CC}$ . The pin remains in the high impedance state unless an interrupt occurs or the frequency test mode is enabled.

### CLOCK OPERATIONS

#### Reading the Clock

Updates to the TIMEKEEPER registers should be halted before clock data is read to prevent reading data in transition. Because the BiPORT TIMEKEEPER cells in the RAM array are only data registers, and not the actual clock counters, updating the registers can be halted without disturbing the clock itself.

Updating is halted when a '1' is written to the READ bit, D6 in the Control register (1FF8h). As long as a '1' remains in that position, updating is halted.

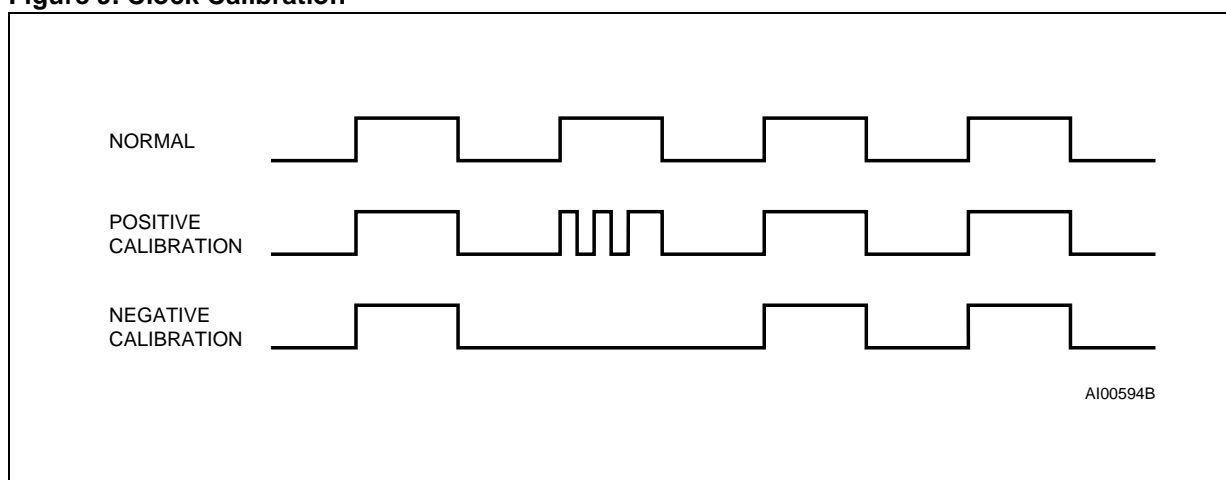
After a halt is issued, the registers reflect the count; that is, the day, date, and the time that were current at the moment the halt command was issued.

All of the TIMEKEEPER registers are updated simultaneously. A halt will not interrupt an update in progress. Updating is within a second after the bit is reset to a '0'.

#### Setting the Clock

Bit D7 of the Control register (1FF8h) is the WRITE bit. Setting the WRITE bit to a '1', like the READ bit, halts updates to the TIMEKEEPER reg-

Figure 9. Clock Calibration



isters. The user can then load them with the correct day, date, and time data in 24 hour BCD format (see Table 12). Resetting the WRITE bit to a '0' then transfers the values of all time registers (1FF9h-1FFFh) to the actual TIMEKEEPER counters and allows normal operation to resume. After the WRITE bit is reset, the next clock update will occur within approximately one second.

See the Application Note AN923 "TIMEKEEPER rolling into the 21st century" for information on Century Rollover.

**Note:** Upon power-up following a power failure, both the WRITE bit and the READ bit will be reset to '0'.

#### Stopping and Starting the Oscillator

The oscillator may be stopped at any time. If the device is going to spend a significant amount of time on the shelf, the oscillator can be turned off to minimize current drain on the battery. The STOP bit is the MSB of the seconds register. Setting it to a '1' stops the oscillator. The M48T59/59Y/59V in the DIP package, is shipped from STMicroelectronics with the STOP bit set to a '1'. When reset to a '0', the M48T59/59Y/59V oscillator starts within one second.

**Note:** It is not necessary to set the WRITE bit when setting or resetting the FREQUENCY TEST bit (FT), the STOP bit (ST) or the CENTURY ENABLE bit (CEB).

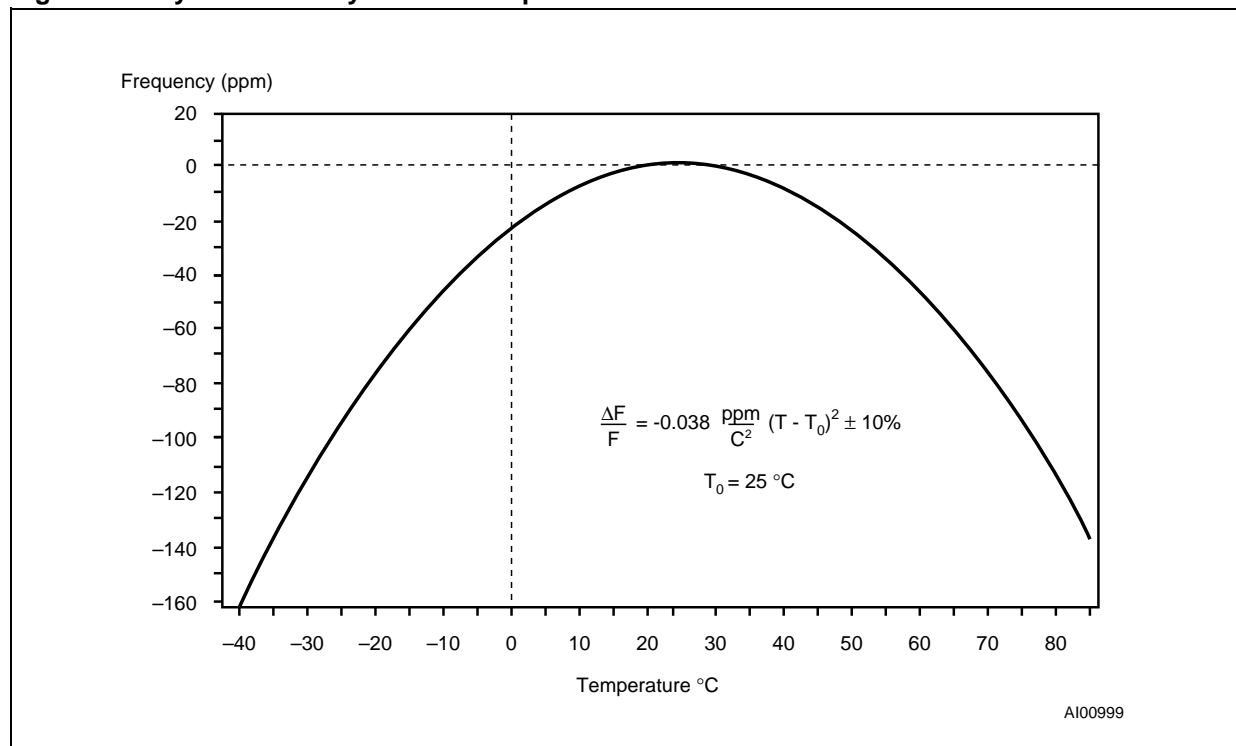
#### Calibrating the Clock

The M48T59/59Y/59V is driven by a quartz controlled oscillator with a nominal frequency of 32,768Hz. The devices are tested not to exceed 35 ppm (parts per million) oscillator frequency error at 25°C, which equates to about ±1.53 minutes per month. With the calibration bits properly set, the accuracy of each M48T59/59Y/59V improves to better than +1/-2 ppm at 25°C.

The oscillation rate of any crystal changes with temperature (see Figure 10). Most clock chips compensate for crystal frequency and temperature shift error with cumbersome trim capacitors. The M48T59/59Y/59V design, however, employs periodic counter correction. The calibration circuit adds or subtracts counts from the oscillator divider circuit at the divide by 256 stage, as shown in Figure 9. The number of times pulses are blanked (subtracted, negative calibration) or split (added, positive calibration) depends upon the value loaded into the five bit Calibration byte found in the Control Register. Adding counts speeds the clock up, subtracting counts slows the clock down.

The Calibration byte occupies the five lower order bits (D4-D0) in the Control register (1FF8h). These bits can be set to represent any value between 0 and 31 in binary form. Bit D5 is a Sign bit; '1' indicates positive calibration, '0' indicates negative calibration. Calibration occurs within a 64 minute

**Figure 10. Crystal Accuracy Across Temperature**



## M48T59, M48T59Y, M48T59V

cycle. The first 62 minutes in the cycle may, once per minute, have one second either shortened by 128 or lengthened by 256 oscillator cycles. If a binary '1' is loaded into the register, only the first 2 minutes in the 64 minute cycle will be modified; if a binary 6 is loaded, the first 12 will be affected, and so on.

Therefore, each calibration step has the effect of adding 512 or subtracting 256 oscillator cycles; for every 125,829,120 actual oscillator cycles, that is +4.068 or -2.034 ppm of adjustment per calibration step in the calibration register. Assuming that the oscillator is in fact running at exactly 32,768Hz, each of the 31 increments in the Calibration byte would represent +10.7 or -5.35 seconds per month which corresponds to a total range of +5.5 or -2.75 minutes per month.

Two methods are available for ascertaining how much calibration a given M48T59/59Y/59V may require. The first involves simply setting the clock, letting it run for a month and comparing it to a known accurate reference (like WWV broadcasts). While that may seem crude, it allows the designer to give the end user the ability to calibrate his clock as his environment may require, even after the final product is packaged in a non-user serviceable enclosure. All the designer has to do is provide a simple utility that accesses the Calibration byte.

The second approach is better suited to a manufacturing environment, and involves the use of the  $\overline{\text{IRQ/FT}}$  pin. The pin will toggle at 512Hz when the Stop bit (D7 of 1FF9h) is '0', the FT bit (D6 of 1FFCh) is '1', the AFE bit (D7 of 1FF6h) is '0', and the Watchdog Steering bit (D7 of 1FF7h) is '1' or the Watchdog Register is reset (1FF7h = 0).

Any deviation from 512Hz indicates the degree and direction of oscillator frequency shift at the test temperature. For example, a reading of 512.01024 Hz would indicate a +20 ppm oscillator frequency

error, requiring a -10 (WR001010) to be loaded into the Calibration Byte for correction. Note that setting or changing the Calibration Byte does not affect the Frequency test output frequency.

The  $\overline{\text{IRQ/FT}}$  pin is an open drain output which requires a pull-up resistor for proper operation. A 500-10k $\Omega$  resistor is recommended in order to control the rise time. The FT bit is cleared on power-down.

For more information on calibration, see the Application Note AN934 "TIMEKEEPER Calibration".

### SETTING ALARM CLOCK

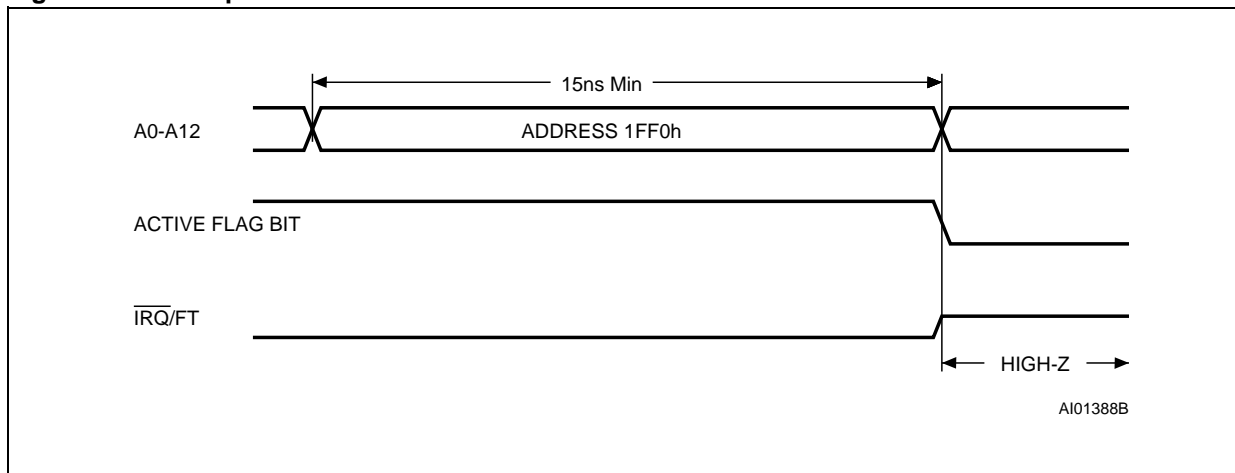
Registers 1FF5h-1FF2h contain the alarm settings. The alarm can be configured to go off at a prescribed time on a specific day of the month or repeat every month, day, hour, minute, or second. It can also be programmed to go off while the M48T59 is in the battery back-up mode of operation to serve as a system wake-up call.

RPT1-RPT4 put the alarm in the repeat mode of operation. Table 12 shows the possible configurations. Codes not listed in the table default to the once per second mode to quickly alert the user of an incorrect alarm setting.

Table 12. Alarm Repeat Mode

RPT4	RPT3	RPT2	RPT1	Alarm Activated
1	1	1	1	Once per Second
1	1	1	0	Once per Minute
1	1	0	0	Once per Hour
1	0	0	0	Once per Day
0	0	0	0	Once per Month

Figure 11. Interrupt Reset Waveforms



**Note:** User must transition address (or toggle chip enable) to see Flag bit change.

When the clock information matches the alarm clock settings based on the match criteria defined by RPT1-RPT4, AF (Alarm Flag) is set. If AFE (Alarm Flag Enable) is also set, the alarm condition activates the  $\overline{\text{IRQ/FT}}$  pin. To disable alarm, write '0' to the Alarm Date register and RPT1-4. The alarm flag and the  $\overline{\text{IRQ/FT}}$  output are cleared by a read to the Flags register.

The  $\overline{\text{IRQ/FT}}$  pin can also be activated in the battery back-up mode. The  $\overline{\text{IRQ/FT}}$  will go low if an alarm occurs and both ABE (Alarm in Battery Back-up Mode Enable) and AFE are set. The ABE and AFE bits are reset during power-up, therefore an alarm generated during power-up will only set AF. The user can read the Flag Register at system boot-up to determine if an alarm was generated while the M48T59 was in the deselected mode during power-up. Figure 12 illustrates the back-up mode alarm timing.

### WATCHDOG TIMER

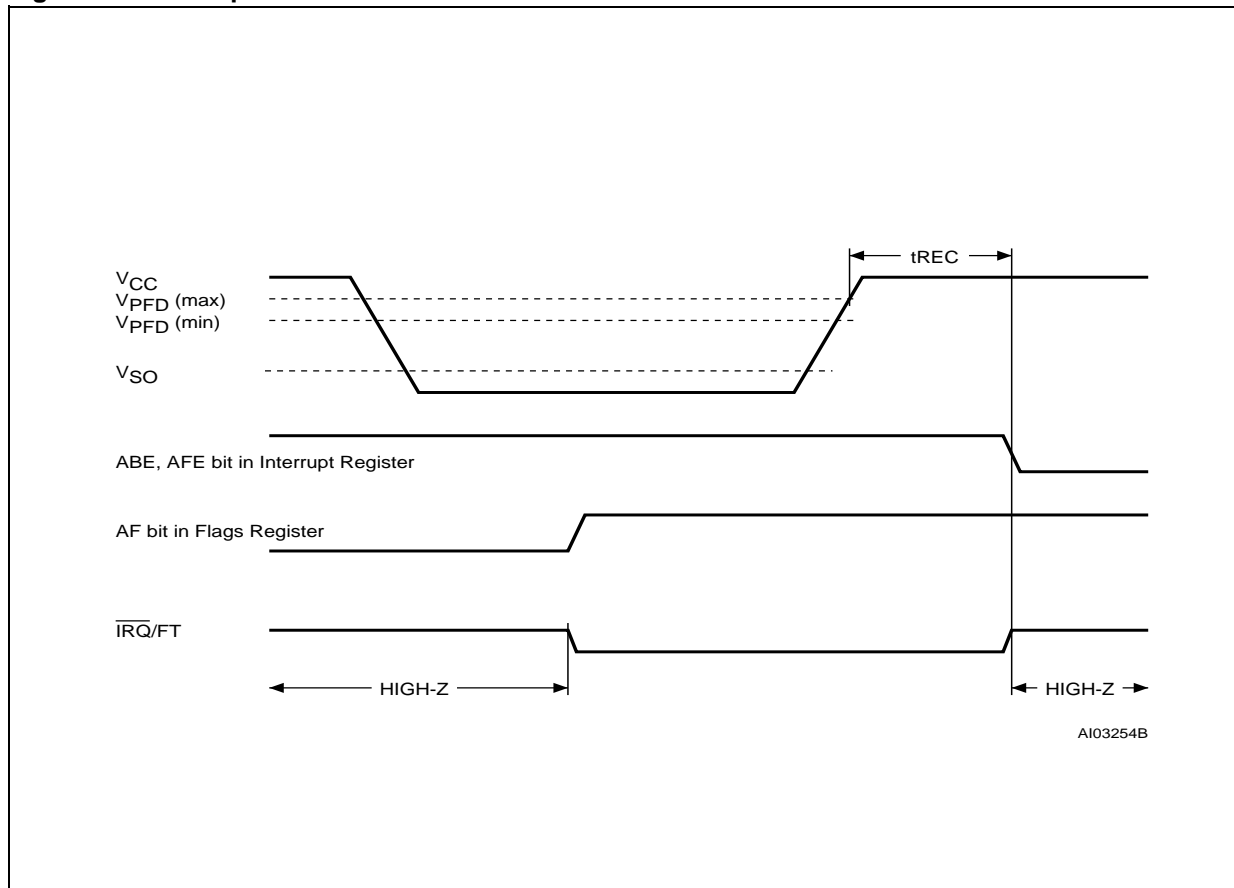
The watchdog timer can be used to detect an out-of-control microprocessor. The user programs the watchdog timer by setting the desired amount of time-out into the eight bit Watchdog Register (Address 1FF7h). The five bits (BMB4-BMB0) store a binary multiplier and the two lower order bits (RB1-RB0) select the resolution, where 00 = 1/16 second, 01 = 1/4 second, 10 = 1 second, and 11 = 4 seconds. The amount of time-out is then determined to be the multiplication of the five bit multiplier value with the resolution. (For example: writing 00001110 in the Watchdog Register = 3 x 1 or 3 seconds).

**Note:** Accuracy of timer is within  $\pm$  the selected resolution.

If the processor does not reset the timer within the specified period, the M48T59 sets the WDF (Watchdog Flag) and generates a watchdog interrupt or a microprocessor reset.

WDF is reset by reading the Flags Register (Address 1FF0h).

**Figure 12. Back-up Mode Alarm Waveforms**



## M48T59, M48T59Y, M48T59V

The most significant bit of the Watchdog Register is the Watchdog Steering Bit. When set to a '0', the watchdog will activate the  $\overline{\text{IRQ}}/\text{FT}$  pin when timed-out. When WDS is set to a '1', the watchdog will output a negative pulse on the  $\overline{\text{RST}}$  pin for a duration of 40ms to 200ms. The Watchdog register and the FT bit will reset to a '0' at the end of a watchdog time-out when the WDS bit is set to a '1'.

The watchdog timer resets when the microprocessor performs a re-write of the Watchdog Register. The time-out period then starts over. The watchdog timer is disabled by writing a value of 00000000 to the eight bits in the Watchdog Register. The watchdog function is automatically disabled upon power-down and the Watchdog Register is cleared. If the watchdog function is set to output to the  $\overline{\text{IRQ}}/\text{FT}$  pin and the frequency test function is activated, the watchdog or alarm function prevails and the frequency test function is denied.

### BATTERY LOW FLAG

The M48T59/59Y/59V automatically performs periodic battery voltage monitoring upon power-up and at factory-programmed time intervals of 24 hours (at day rollover) as long as the device is powered and the oscillator is running. The Battery Low flag (BL), Bit D4 of the flags Register 1FF0h, will be asserted high if the internal or SNAPHAT battery is found to be less than approximately 2.5V. The BL flag will remain active until completion of battery replacement and subsequent battery low monitoring tests, either during the next

power-up sequence or the next scheduled 24-hour interval.

If a battery low is generated during a power-up sequence, this indicates that the battery voltage is below 2.5V (approximately), which may be insufficient to maintain data integrity. Data should be considered suspect and verified as correct. A fresh battery should be installed.

If a battery low indication is generated during the 24-hour interval check, this indicates that the battery is near end of life. However, data has not been compromised due to the fact that a nominal VCC is supplied. In order to insure data integrity during subsequent periods of battery back-up mode, it is recommended that the battery be replaced. The SNAPHAT top may be replaced while VCC is applied to the device.

**Note:** Battery monitoring is a useful technique only when performed periodically. The M48T59/59Y/59V only monitors the battery when a nominal VCC is applied to the device. Thus applications which require extensive durations in the battery back-up mode should be powered-up periodically (at least once every few months) in order for this technique to be beneficial. Additionally, if a battery low is indicated, data integrity should be verified upon power-up via a checksum or other technique.

### POWER-ON DEFAULTS

Upon application of power to the device, the following register bits are set to a '0' state: WDS; BMB0-BMB4; RB0-RB1; AFE; ABE; W; R; FT.

(See Table 13).

**Table 13. Default Values**

Condition	W	R	FT	AFE	ABE	WATCHDOG Register <sup>(1)</sup>
Initial Power-up (Battery Attach for SNAPHAT) <sup>(2)</sup>	0	0	0	0	0	0
Subsequent Power-up / RESET <sup>(3)</sup>	0	0	0	0	0	0
Power-down <sup>(4)</sup>	0	0	0	1	1	0

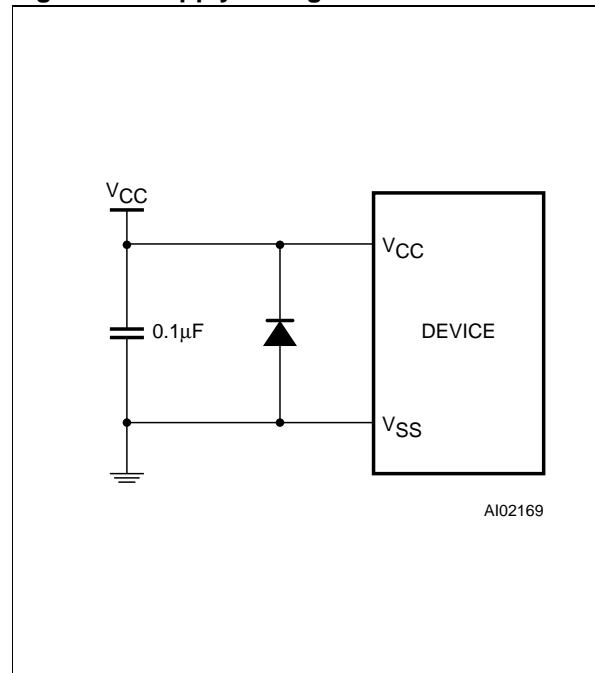
- Note: 1. WDS, BMB0-BMB4, RBO, RB1.  
 2. State of other control bits undefined.  
 3. State of other control bits remains unchanged.  
 4. Assuming these bits set to '1' prior to power-down.

### POWER SUPPLY DECOUPLING and UNDERSHOOT PROTECTION

$I_{CC}$  transients, including those produced by output switching, can produce voltage fluctuations, resulting in spikes on the  $V_{CC}$  bus. These transients can be reduced if capacitors are used to store energy, which stabilizes the  $V_{CC}$  bus. The energy stored in the bypass capacitors will be released as low going spikes are generated or energy will be absorbed when overshoots occur. A ceramic bypass capacitor value of  $0.1\mu\text{F}$  (as shown in Figure 13) is recommended in order to provide the needed filtering.

In addition to transients that are caused by normal SRAM operation, power cycling can generate negative voltage spikes on  $V_{CC}$  that drive it to values below  $V_{SS}$  by as much as one Volt. These negative spikes can cause data corruption in the SRAM while in battery backup mode. To protect from these voltage spikes, it is recommended to connect a schottky diode from  $V_{CC}$  to  $V_{SS}$  (cathode connected to  $V_{CC}$ , anode to  $V_{SS}$ ). Schottky diode 1N5817 is recommended for through hole and MBRS120T3 is recommended for surface mount

Figure 13. Supply Voltage Protection



## M48T59, M48T59Y, M48T59V

**Table 14. Ordering Information Scheme**

Example:	M48T59Y	-70	MH	1	TR
<b>Device Type</b> M48T					
<b>Supply Voltage and Write Protect Voltage</b> 59 <sup>(1)</sup> = V <sub>CC</sub> = 4.75V to 5.5V; V <sub>PFD</sub> = 4.5V to 5.5V 59Y = V <sub>CC</sub> = 4.5V to 5.5V; V <sub>PFD</sub> = 4.2V to 4.5V 59V = V <sub>CC</sub> = 3.0V to 3.6V; V <sub>PFD</sub> = 2.7V to 3.0V					
<b>Speed</b> -70 = 70ns					
<b>Package</b> PC = PCDIP28 MH <sup>(2)</sup> = SOH28					
<b>Temperature Range</b> 1 = 0 to 70 °C 6 <sup>(3)</sup> = -40 to 85 °C					
<b>Shipping Method for SOIC</b> blank = Tubes TR = Tape & Reel					

- Note: 1. The M48T59 part is offered with the PCDIP28 (i.e. CAPHAT) package only.  
 2. The SOIC package (SOH28) requires the battery/crystal package (SNAPHAT) which is ordered separately under the part number "M4TXX-BR12SH1" in plastic tube or "M4TXX-BR12SH1TR" in Tape & Reel form.  
 3. Available in SOIC package only.

**Caution:** Do not place the SNAPHAT battery/crystal package "M4TXX-BR12SH1" in conductive foam since will drain the lithium button-cell battery.

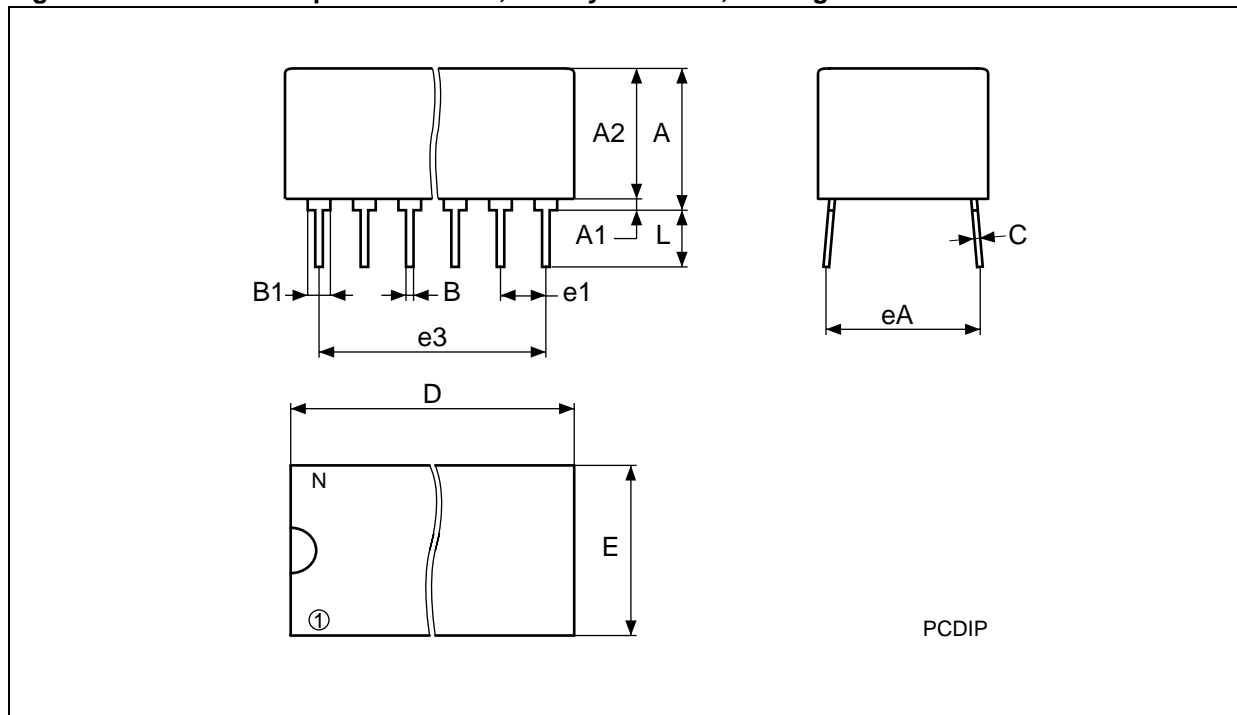
For a list of available options (Speed, Package, etc...) or for further information on any aspect of this device, please contact the ST Sales Office nearest to you.



Table 15. PCDIP28 - 28 pin Plastic DIP, battery CAPHAT, Package Mechanical Data

Symb	mm			inches		
	Typ	Min	Max	Typ	Min	Max
A		8.89	9.65		0.350	0.380
A1		0.38	0.76		0.015	0.030
A2		8.38	8.89		0.330	0.350
B		0.38	0.53		0.015	0.021
B1		1.14	1.78		0.045	0.070
C		0.20	0.31		0.008	0.012
D		39.37	39.88		1.550	1.570
E		17.83	18.34		0.702	0.722
e1		2.29	2.79		0.090	0.110
e3		29.72	36.32		1.170	1.430
eA		15.24	16.00		0.600	0.630
L		3.05	3.81		0.120	0.150
N		28			28	

Figure 14. PCDIP28 - 28 pin Plastic DIP, battery CAPHAT, Package Outline



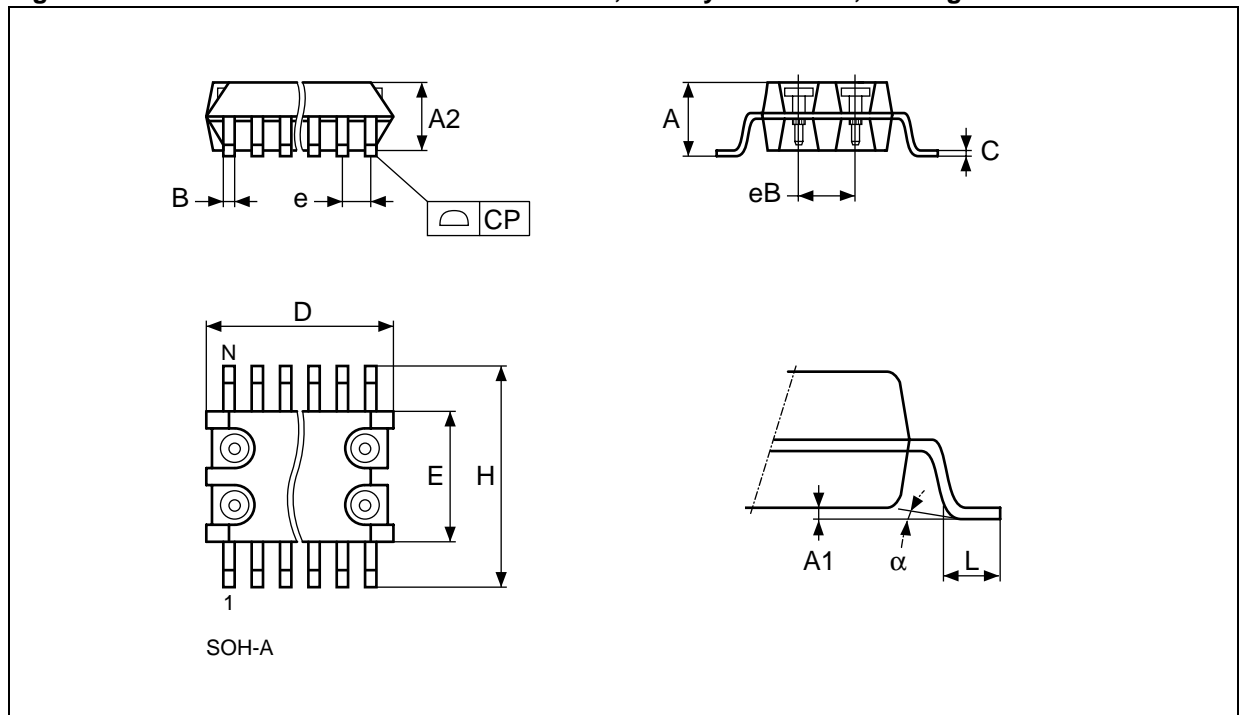
Drawing is not to scale.

**M48T59, M48T59Y, M48T59V**

**Table 16. SOH28 - 28 lead Plastic Small Outline, battery SNAPHAT, Package Mechanical Data**

Symb	mm			inches		
	Typ	Min	Max	Typ	Min	Max
A			3.05			0.120
A1		0.05	0.36		0.002	0.014
A2		2.34	2.69		0.092	0.106
B		0.36	0.51		0.014	0.020
C		0.15	0.32		0.006	0.012
D		17.71	18.49		0.697	0.728
E		8.23	8.89		0.324	0.350
e	1.27	–	–	0.050	–	–
eB		3.20	3.61		0.126	0.142
H		11.51	12.70		0.453	0.500
L		0.41	1.27		0.016	0.050
$\alpha$		0°	8°		0°	8°
N	28			28		
CP			0.10			0.004

**Figure 15. SOH28 - 28 lead Plastic Small Outline, battery SNAPHAT, Package Outline**

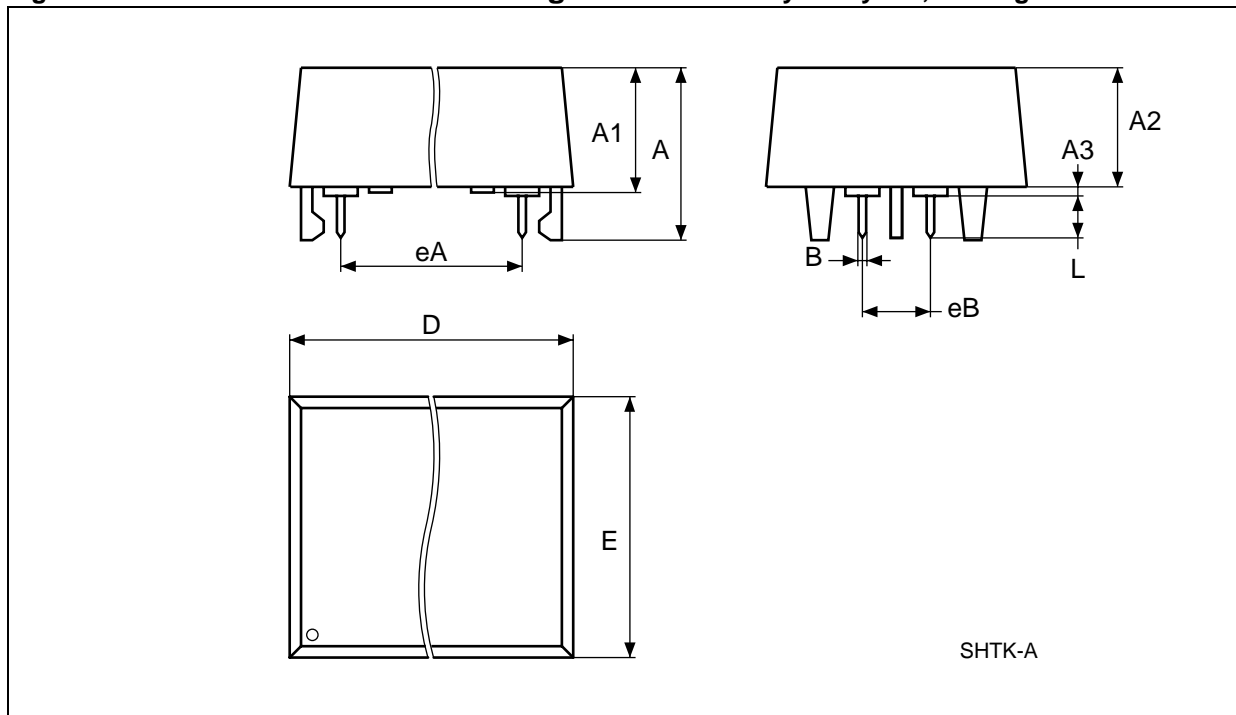


Drawing is not to scale.

Table 17. M4T28-BR12SH SNAPHAT Housing for 48 mAh Battery & Crystal, Package Mechanical Data

Symb	mm			inches		
	Typ	Min	Max	Typ	Min	Max
A			9.78			0.385
A1		6.73	7.24		0.265	0.285
A2		6.48	6.99		0.255	0.275
A3			0.38			0.015
B		0.46	0.56		0.018	0.022
D		21.21	21.84		0.835	0.860
E		14.22	14.99		0.560	0.590
eA		15.55	15.95		0.612	0.628
eB		3.20	3.61		0.126	0.142
L		2.03	2.29		0.080	0.090

Figure 16. M4T28-BR12SH SNAPHAT Housing for 48 mAh Battery & Crystal, Package Outline



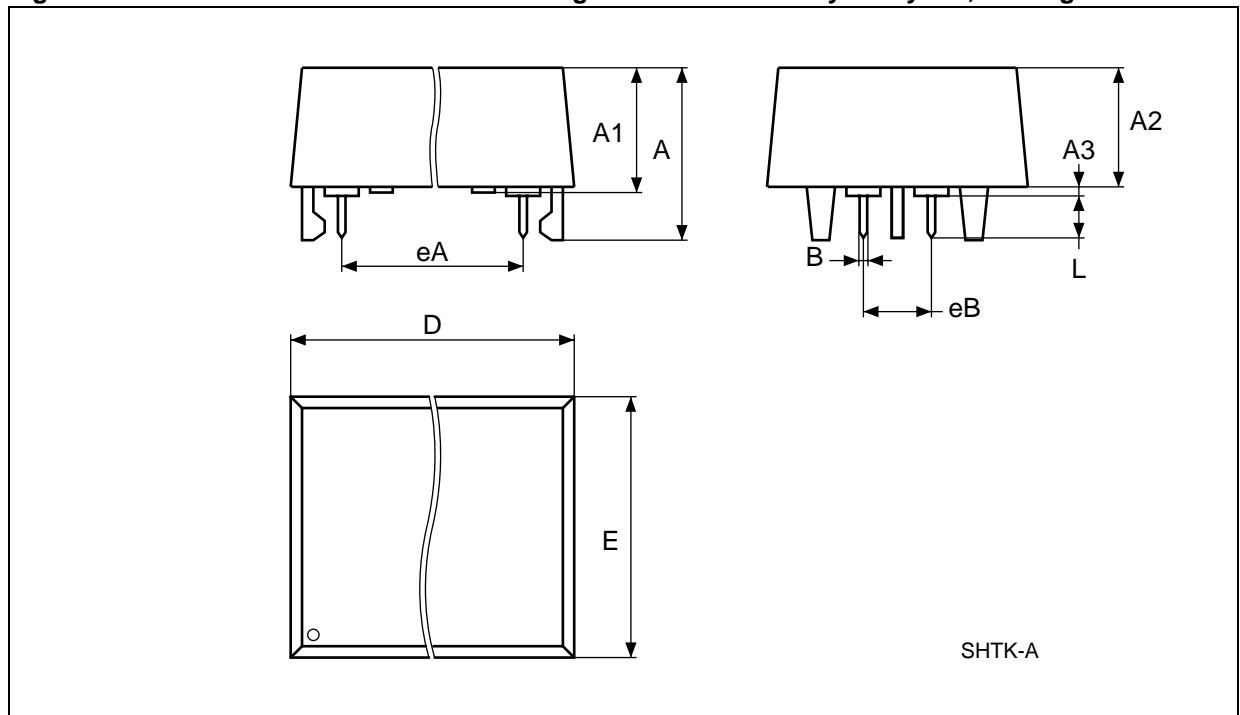
Drawing is not to scale.

**M48T59, M48T59Y, M48T59V**

**Table 18. M4T32-BR12SH SNAPHAT Housing for 120mAh Battery & Crystal, Package Mechanical Data**

Symb	mm			inches		
	Typ	Min	Max	Typ	Min	Max
A			10.54			0.415
A1		8.00	8.51		0.315	0.335
A2		7.24	8.00		0.285	0.315
A3			0.38			0.015
B		0.46	0.56		0.018	0.022
D		21.21	21.84		0.835	0.860
E		17.27	18.03		0.680	0.710
eA		15.55	15.95		0.612	0.628
eB		3.20	3.61		0.126	0.142
L		2.03	2.29		0.080	0.090

**Figure 17. M4T32-BR12SH SNAPHAT Housing for 120mAh Battery & Crystal, Package Outline**



Drawing is not to scale.

Information furnished is believed to be accurate and reliable. However, STMicroelectronics assumes no responsibility for the consequences of use of such information nor for any infringement of patents or other rights of third parties which may result from its use. No license is granted by implication or otherwise under any patent or patent rights of STMicroelectronics. Specifications mentioned in this publication are subject to change without notice. This publication supersedes and replaces all information previously supplied. STMicroelectronics products are not authorized for use as critical components in life support devices or systems without express written approval of STMicroelectronics.

The ST logo is registered trademark of STMicroelectronics  
© 1999 STMicroelectronics - All Rights Reserved

All other names are the property of their respective owners.

STMicroelectronics GROUP OF COMPANIES  
Australia - Brazil - China - Finland - France - Germany - Hong Kong - India - Italy - Japan - Malaysia - Malta - Morocco -  
Singapore - Spain - Sweden - Switzerland - United Kingdom - U.S.A.

<http://www.st.com>