



# LET19060C

## RF POWER TRANSISTORS *Ldmos Enhanced Technology*

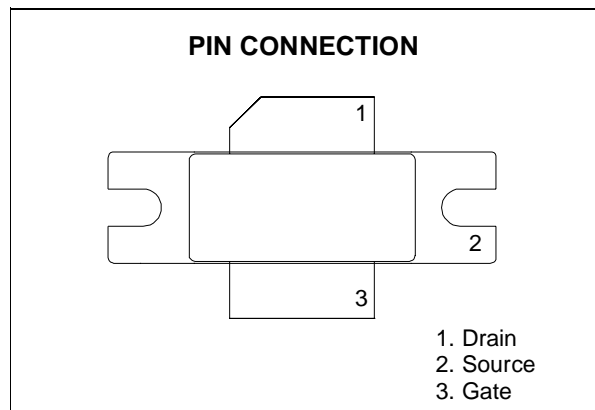
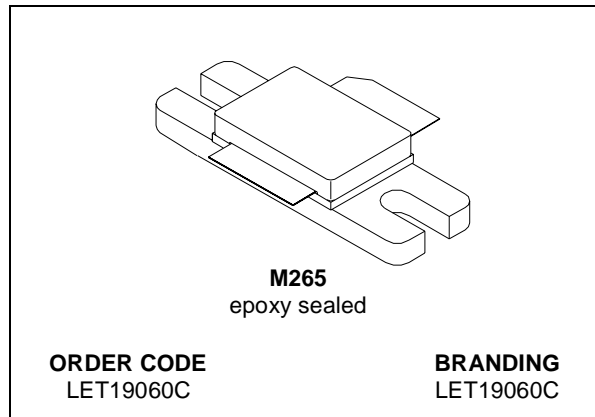
TARGET DATA

### N-CHANNEL ENHANCEMENT-MODE LATERAL MOSFETs

- IS-97 CDMA PERFORMANCES  
 $P_{OUT} = 7.5 \text{ W}$   
EFF. = 18 %
- EDGE PERFORMANCES  
 $P_{OUT} = 30 \text{ W}$   
EFF. = 25 %
- GSM PERFORMANCES  
 $P_{OUT} = 65 \text{ W}$   
EFF. = 45 %
- EXCELLENT THERMAL STABILITY
- BeO FREE PACKAGE
- INTERNAL INPUT/OUTPUT MATCHING
- ESD PROTECTION

### DESCRIPTION

The LET19060C is a common source N-Channel enhancement-mode lateral Field-Effect RF power transistor designed for broadband commercial and industrial applications at frequencies up to 1.0 GHz. The LET19060C is designed for high gain and broadband performance operating in common source mode at 26 V. Its internal matching makes it ideal for base station applications requiring high linearity.



### ABSOLUTE MAXIMUM RATINGS ( $T_{CASE} = 25 \text{ }^\circ\text{C}$ )

Symbol	Parameter	Value	Unit
$V_{(BR)DSS}$	Drain-Source Voltage	65	V
$V_{GS}$	Gate-Source Voltage	-0.5 to +15	V
$I_D$	Drain Current	7	A
$P_{DISS}$	Power Dissipation (@ $T_c = 70 \text{ }^\circ\text{C}$ )	130	W
$T_j$	Max. Operating Junction Temperature	200	$^\circ\text{C}$
$T_{STG}$	Storage Temperature	-65 to +150	$^\circ\text{C}$

### THERMAL DATA

$R_{th(j-c)}$	Junction -Case Thermal Resistance	1.0	$^\circ\text{C/W}$
---------------	-----------------------------------	-----	--------------------

## LET19060C

### ELECTRICAL SPECIFICATION (T<sub>CASE</sub> = 25 °C) STATIC (Per Section)

Symbol	Test Conditions	Min.	Typ.	Max.	Unit
V <sub>(BR)DSS</sub>	V <sub>GS</sub> = 0 V I <sub>D</sub> = 10 μA	65			V
I <sub>DSS</sub>	V <sub>GS</sub> = 0 V V <sub>DS</sub> = 26 V			6	μA
I <sub>GSS</sub>	V <sub>GS</sub> = 5 V V <sub>DS</sub> = 0 V			1	μA
V <sub>GS(Q)</sub>	V <sub>DS</sub> = 26 V I <sub>D</sub> = TBD	2.5		4.5	V
V <sub>DS(ON)</sub>	V <sub>GS</sub> = 10 V I <sub>D</sub> = 2 A		0.27		V
G <sub>FS</sub>	V <sub>DS</sub> = 10 V I <sub>D</sub> = 2 A		4.7		mho
C <sub>ISS</sub> *	V <sub>GS</sub> = 0 V V <sub>DS</sub> = 26 V f = 1 MHz		TBD		pF
C <sub>OSS</sub> *	V <sub>GS</sub> = 0 V V <sub>DS</sub> = 26 V f = 1 MHz		TBD		pF
C <sub>RSS</sub>	V <sub>GS</sub> = 0 V V <sub>DS</sub> = 26 V f = 1 MHz		TBD		pF

\* Includes Internal Matching

Symbol	Test Conditions	Min.	Typ.	Max.	Unit
<b>DYNAMIC (f = 2000 MHz)</b>					
P <sub>1dB</sub>	V <sub>DD</sub> = 26 V I <sub>DQ</sub> = TBD	70	75		W
η <sub>D</sub> <sup>(1)</sup>	V <sub>DD</sub> = 26 V I <sub>DQ</sub> = TBD	45	50		%
Load mismatch	V <sub>DD</sub> = 26 V I <sub>DQ</sub> = TBD P <sub>OUT</sub> = 60 W ALL PHASE ANGLES			10:1	VSWR
<b>DYNAMIC (f = 1930 - 1990 MHz)</b>					
P <sub>1dB</sub>	V <sub>DD</sub> = 26 V I <sub>DQ</sub> = TBD	60	65		W
G <sub>P</sub>	V <sub>DD</sub> = 26 V I <sub>DQ</sub> = TBD P <sub>OUT</sub> = 60 W	11	13		dB
η <sub>D</sub> <sup>(1)</sup>	V <sub>DD</sub> = 26 V I <sub>DQ</sub> = TBD	40	45		%
P <sub>OUT(CDMA)</sub> <sup>(2)</sup>	885 KHz < -47 dBc 1.25 MHz < -55 dBc 2.25 MHz < -55 dBc		7.5		W
η <sub>D(CDMA)</sub> <sup>(2)</sup>	885 KHz < -47 dBc 1.25 MHz < -55 dBc 2.25 MHz < -55 dBc		18		%
<b>DYNAMIC (f = 1805 - 1880 MHz)</b>					
P <sub>1dB</sub>	V <sub>DD</sub> = 26 V I <sub>DQ</sub> = TBD	60	65		W
G <sub>P</sub>	V <sub>DD</sub> = 26 V I <sub>DQ</sub> = TBD P <sub>OUT</sub> = 60 W	11	13		dB
η <sub>D</sub> <sup>(1)</sup>	V <sub>DD</sub> = 26 V I <sub>DQ</sub> = TBD	45			%
P <sub>OUT(EDGE)</sub>	400 KHz < -60 dBc 600 KHz < -70 dBc EVM < 3 %		30		W
η <sub>D(EDGE)</sub>	400 KHz < -60 dBc 600 KHz < -70 dBc EVM < 3 %		25		%

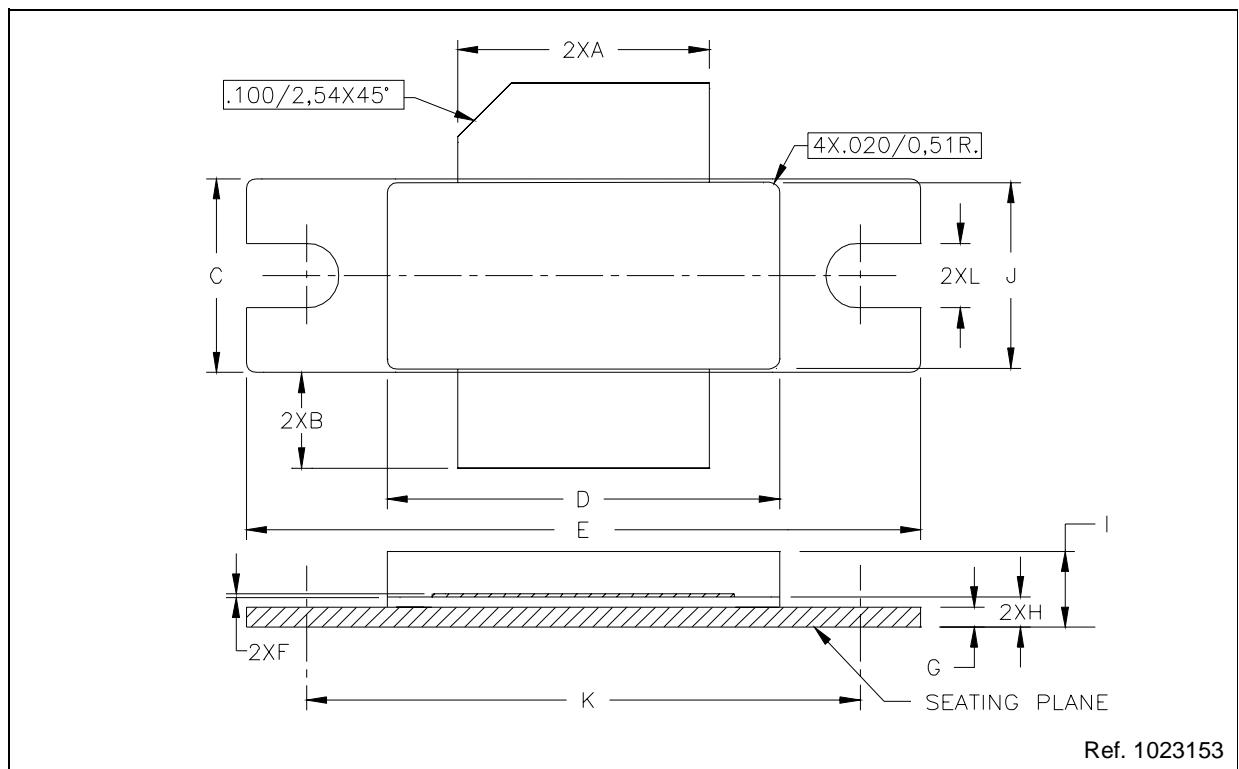
(1) 1 dB Compression point (2) IS-97 CDMA Pilot, Sync, Paging, Traffic, Codes 8 Thru 13

### ESD PROTECTION CHARACTERISTICS

Test Conditions	Class
Human Body Model	2
Machine Model	M3

## M265 (.370 x .780 WIDE 2/L N/HERM W/FLG) MECHANICAL DATA

DIM.	mm			Inch		
	MIN.	TYP.	MAX	MIN.	TYP.	MAX
A	12.57		12.83	.495		.505
B	4.32		5.33	.170		.210
C	9.65		9.91	.380		.390
D	19.61		20.02	.772		.788
E	33.91		34.16	1.335		1.345
F	0.08		0.15	.003		.006
G	0.89		1.14	.035		.045
H	1.45		1.70	.057		.067
I	3.18		4.32	.125		.170
J	9.27		9.53	.365		.375
K	27.69		28.19	1.090		1.110
L	3.00		3.51	.118		.138



Information furnished is believed to be accurate and reliable. However, STMicroelectronics assumes no responsibility for the consequences of use of such information nor for any infringement of patents or other rights of third parties which may result from its use. No license is granted by implication or otherwise under any patent or patent rights of STMicroelectronics. Specifications mentioned in this publication are subject to change without notice. This publication supersedes and replaces all information previously supplied. STMicroelectronics products are not authorized for use as critical components in life support devices or systems without express written approval of STMicroelectronics.

The ST logo is registered trademark of STMicroelectronics  
© 2003 STMicroelectronics - All Rights Reserved

All other names are the property of their respective owners.

Australia - Brazil - Canada - China - Finland - France - Germany - Hong Kong - India - Israel - Italy - Japan -  
Malaysia - Malta - Morocco - Singapore - Spain - Sweden - Switzerland - United Kingdom - U.S.A.

<http://www.st.com>