



LET9130

RF POWER TRANSISTORS *Ldmos Enhanced Technology*

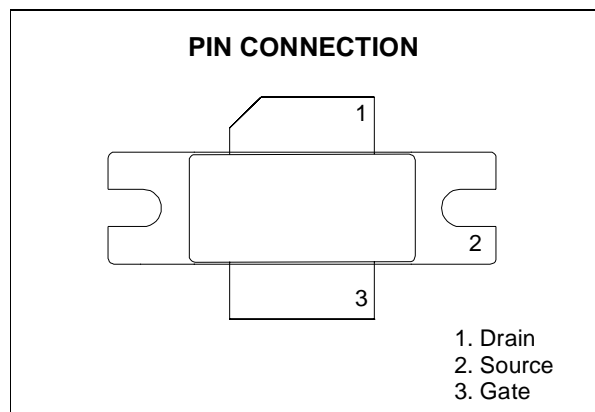
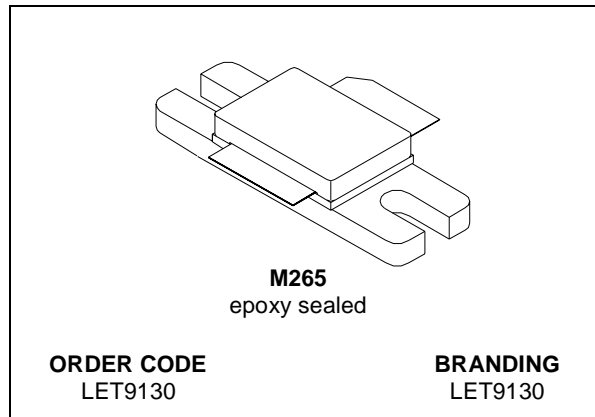
PRELIMINARY DATA

N-CHANNEL ENHANCEMENT-MODE LATERAL MOSFETs

- IS-95 CDMA: 865-895 MHz / 28 V
P_{OUT} = 25 W
EFF. = 29 %
- EDGE: 920-960 MHz / 28 V
P_{OUT} = 45 W
EFF. = 38 %
- GSM: 920-960 MHz / 28 V
P_{OUT} = 135 W
EFF. = 51 %
- EXCELLENT THERMAL STABILITY
- BeO FREE PACKAGE
- INTERNAL INPUT MATCHING
- ESD PROTECTION

DESCRIPTION

The LET9130 is a common source N-Channel enhancement-mode lateral Field-Effect RF power transistor designed for broadband commercial and industrial applications at frequencies up to 1.0 GHz. The LET9130 is designed for high gain and broadband performance operating in common source mode at 28 V. Its internal matching makes it ideal for base station applications requiring high linearity.



ABSOLUTE MAXIMUM RATINGS (T_{case} = 25 °C)

Symbol	Parameter	Value	Unit
V _{(BR)DSS}	Drain-Source Voltage	65	V
V _{GS}	Gate-Source Voltage	-0.5 to +15	V
I _D	Drain Current	15	A
P _{DISS}	Power Dissipation (@ T _c = 70 °C)	217	W
T _j	Max. Operating Junction Temperature	200	°C
T _{STG}	Storage Temperature	-65 to +200	°C

THERMAL DATA

R _{th(j-c)}	Junction -Case Thermal Resistance	0.6	°C/W
----------------------	-----------------------------------	-----	------

LET9130

ELECTRICAL SPECIFICATION (T_{CASE} = 25 °C)

STATIC (Per Section)

Symbol	Test Conditions	Min.	Typ.	Max.	Unit
V _{(BR)DSS}	V _{GS} = 0 V I _D = 10 μA	65			V
I _{DSS}	V _{GS} = 0 V V _{DS} = 26 V			1	μA
I _{DSS}	V _{GS} = 0 V V _{DS} = 65 V			10	μA
I _{GSS}	V _{GS} = 5 V V _{DS} = 0 V			1	μA
V _{GS(Q)}	V _{DS} = 26 V I _D = TBD	3		5	V
V _{DS(ON)}	V _{GS} = 10 V I _D = 3 A		0.19	0.4	V
G _{FS}	V _{DS} = 10 V I _D = 9 A		12		mho
C _{OSS}	V _{GS} = 0 V V _{DD} = 28 V f = 1 MHz		90		pF
C _{RSS}	V _{GS} = 0 V V _{DS} = 26 V f = 1 MHz		4.8		pF

Symbol	Test Conditions	Min.	Typ.	Max.	Unit
DYNAMIC (f = 920-960 MHz)					
P _{1dB}	V _{DD} = 28 V I _{DQ} = 1 A	120	135		W
η _D	V _{DD} = 28 V I _{DQ} = 1 A P _{OUT} = 130 W	48	51		%
G _P	V _{DD} = 28 V I _{DQ} = 1 A P _{OUT} = 130 W	15	16		dB
Load mismatch	V _{DD} = 28 V I _{DQ} = 1 A P _{OUT} = 130 W ALL PHASE ANGLES			10:1	VSWR
P _{OUT(EDGE)}	400 KHz < -60 dBc 600 KHz < -70 dBc EVM < 3 %		45		W
η _{D(EDGE)}	400 KHz < -60 dBc 600 KHz < -70 dBc EVM < 3 %		38		%
DYNAMIC (f = 865-895 MHz)					
P _{1dB}	V _{DD} = 28 V I _{DQ} = 1 A	120	135		W
η _D	V _{DD} = 28 V I _{DQ} = 1 A P _{OUT} = 135 W	50	55		%
Load mismatch	V _{DD} = 28 V I _{DQ} = 1 A P _{OUT} = 135 W ALL PHASE ANGLES			10:1	VSWR
P _{OUT(CDMA)} ⁽¹⁾	750 KHz ACPR: -45dBc 1.98 MHz ACPR: -60dBc		25		W
G _{P(CDMA)}	V _{DD} = 26 V I _{DQ} = 800 mA P _{OUT} = 25 W	16	17		dB
η _{D(CDMA)} ⁽¹⁾	750 KHz ACPR: -45dBc 1.98 MHz ACPR: -60dBc		29		%

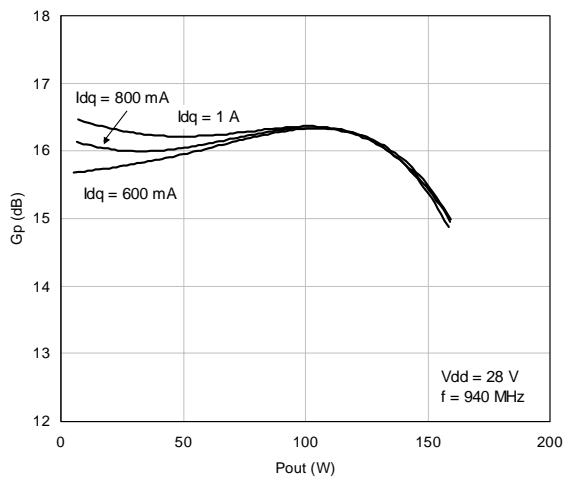
(1) IS-95 CDMA Pilot, Sync, Paging, Traffic, Codes 8 Thru 13

ESD PROTECTION CHARACTERISTICS

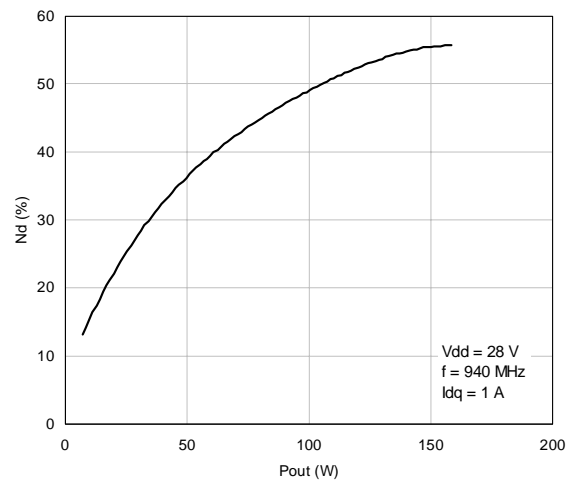
Test Conditions	Class
Human Body Model	2
Machine Model	M3

TYPICAL PERFORMANCE

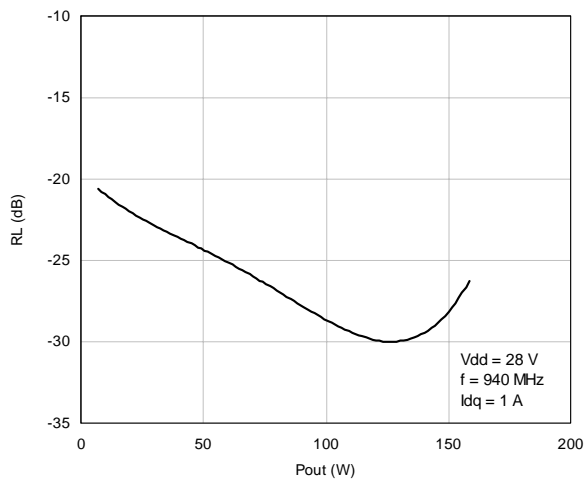
Power Gain Vs Output Power



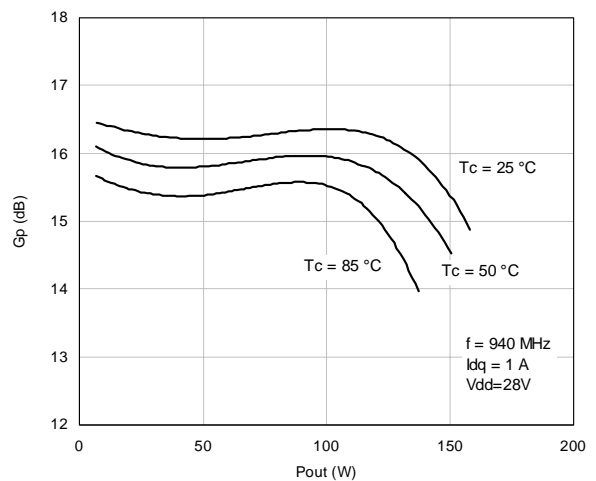
Efficiency Vs Output Power



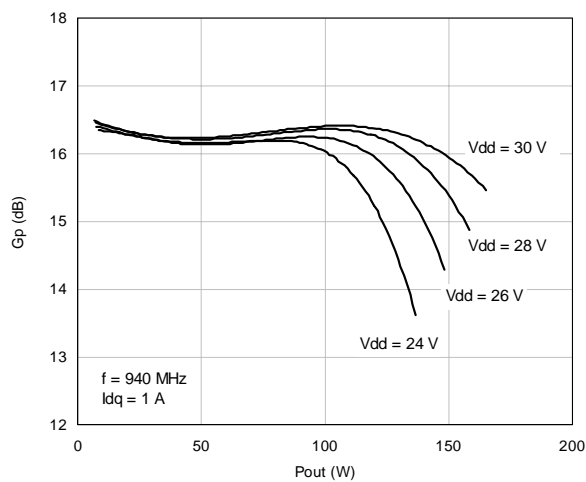
Input Return Loss Vs Output Power



Power Gain Vs Output Power



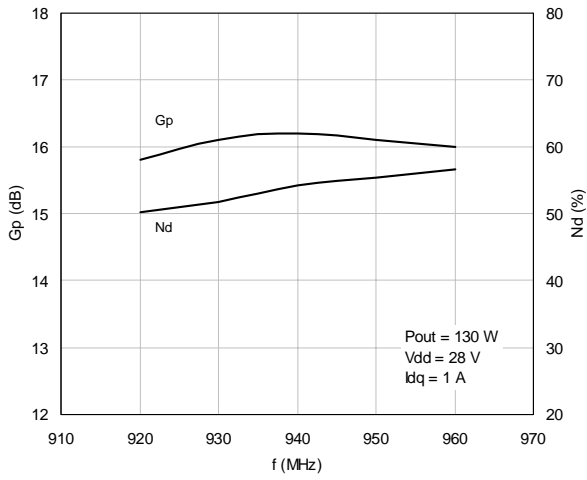
Power Gain Vs Output Power



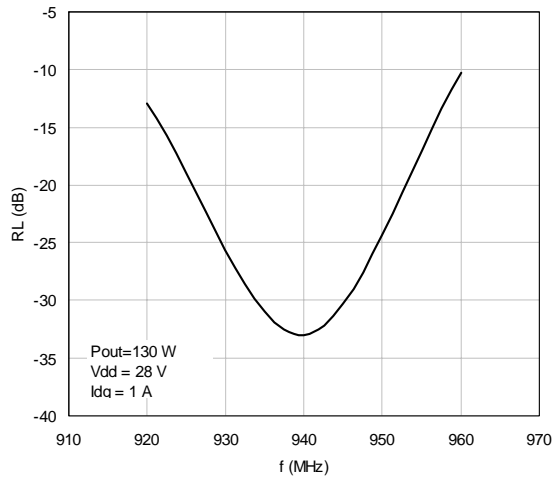
LET9130

TYPICAL PERFORMANCE (BROADBAND)

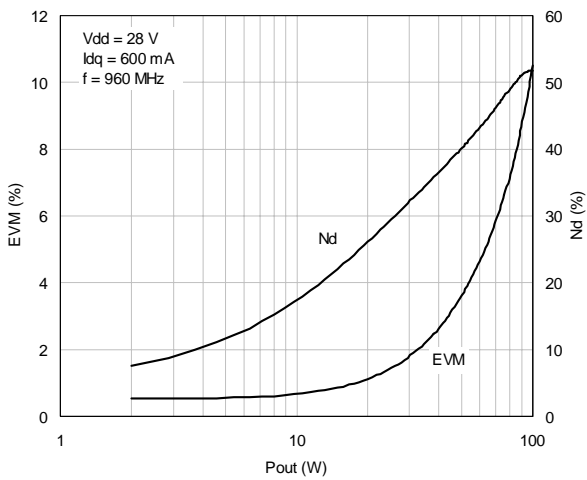
Gain-Efficiency Vs Frequency



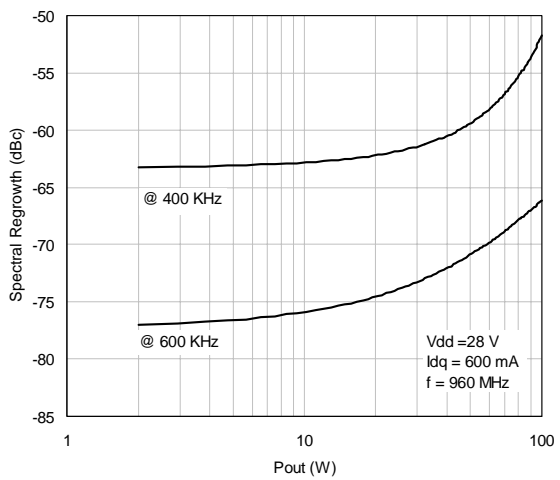
Return Loss Vs Frequency



EVM-Efficiency Vs Output Power

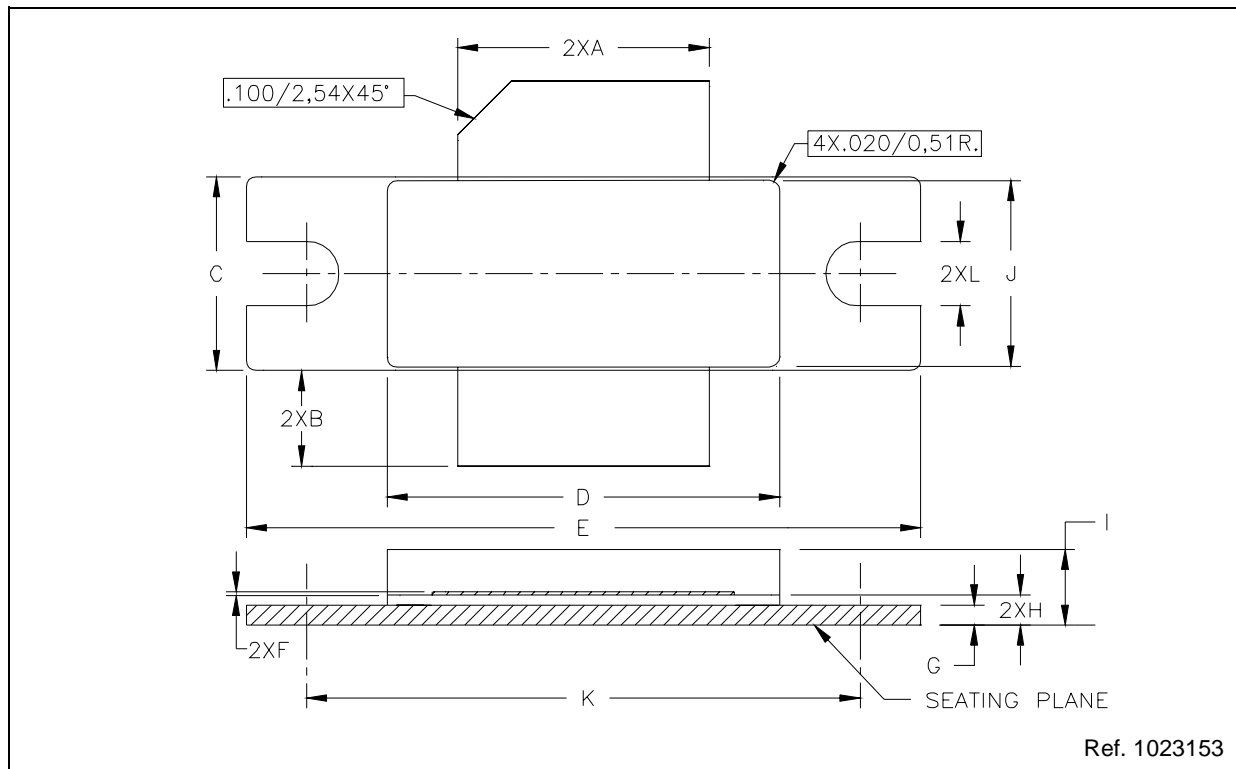


Spectral Regrowth Vs Output Power



M265 (.370 x .780 WIDE 2/L N/HERM W/FLG) MECHANICAL DATA

DIM.	mm			Inch		
	MIN.	TYP.	MAX	MIN.	TYP.	MAX
A	12.57		12.83	.495		.505
B	4.32		5.33	.170		.210
C	9.65		9.91	.380		.390
D	19.61		20.02	.772		.788
E	33.91		34.16	1.335		1.345
F	0.08		0.15	.003		.006
G	0.89		1.14	.035		.045
H	1.45		1.70	.057		.067
I	3.18		4.32	.125		.170
J	9.27		9.53	.365		.375
K	27.69		28.19	1.090		1.110
L	3.00		3.51	.118		.138



Ref. 1023153

Information furnished is believed to be accurate and reliable. However, STMicroelectronics assumes no responsibility for the consequences of use of such information nor for any infringement of patents or other rights of third parties which may result from its use. No license is granted by implication or otherwise under any patent or patent rights of STMicroelectronics. Specifications mentioned in this publication are subject to change without notice. This publication supersedes and replaces all information previously supplied. STMicroelectronics products are not authorized for use as critical components in life support devices or systems without express written approval of STMicroelectronics.

The ST logo is registered trademark of STMicroelectronics
© 2003 STMicroelectronics - All Rights Reserved

All other names are the property of their respective owners.

Australia - Brazil - Canada - China - Finland - France - Germany - Hong Kong - India - Israel - Italy - Japan -
Malaysia - Malta - Morocco - Singapore - Spain - Sweden - Switzerland - United Kingdom - U.S.A.

<http://www.st.com>