



TSM1011

Constant Voltage and Constant Current Controller for Battery Chargers and Adapters

- Constant voltage and constant current control
- Low voltage operation
- Low external component count
- Current sink output stage
- Easy compensation
- 2KV ESD protection
- VOLTAGE REFERENCE:
 - Fixed output voltage reference 2.545V
 - 0.5% and 1% voltage precision

DESCRIPTION

The TSM1011 is a highly integrated solution for SMPS applications requiring CV (constant voltage) and CC (constant current) modes.

The TSM1011 integrates one voltage reference and two operational amplifiers (with ORed outputs—common collectors).

The voltage reference combined with one operational amplifier makes it an ideal voltage controller. The other operational amplifier, combined with few external resistors and the voltage reference, can be used as a current limiter.

APPLICATIONS

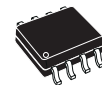
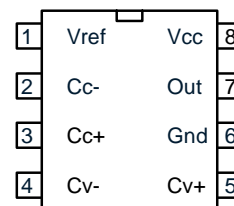
- Adapters
- Battery chargers

ORDER CODE

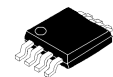
Part Number	Temperature Range	Package		Marking
		S	D	
TSM1011ID	0 to 105°C		•	M1011
TSM1011AID	0 to 105°C		•	M1011A
TSM1011IS	0 to 105°C	•		M802
TSM1011AIS	0 to 105°C	•		M803

D = Small Outline Package (SO) - also available in Tape & Reel (DT)
ST = Small Outline Package (MiniSO8) only available in Tape & Reel

PIN CONNECTIONS (top view)



D
SO-8
(Plastic Package)



D
MiniSO-8
(Plastic Micropackage)

1 PIN DESCRIPTIONS

SO8 & MiniSO8 Pinout

Name	Pin #	Type	Function
Vref	1	Analog Output	Voltage Reference
Cc-	2	Analog Input	Input pin of the operational amplifier
Cc+	3	Analog Input	Input pin of the operational amplifier
Cv-	4	Analog Input	Input pin of the operational amplifier
Cv+	5	Analog Input	Input pin of the operational amplifier
Gnd	6	Power Supply	Ground Line. 0V Reference For All Voltages
Out	7	Analog Output	Output of the two operational amplifier
Vcc	8	Power Supply	Power supply line.

2 ABSOLUTE MAXIMUM RATINGS

Symbol	DC Supply Voltage	Value	Unit
Vcc	DC Supply Voltage (50mA =< Icc)	-0.3V to Vz	V
Vi	Input Voltage	-0.3 to Vcc	V
PT	Power dissipation		W
Toper	Operational temperature	0 to 105	°C
Tstg	Storage temperature	-55 to 150	°C
Tj	Junction temperature	150	°C
Iref	Voltage reference output current	10	mA
ESD	Electrostatic Discharge	2	KV
Rthja	Thermal Resistance Junction to Ambient Mini SO8 package	180	°C/W
Rthja	Thermal Resistance Junction to Ambient SO8 package	175	°C/W

3 OPERATING CONDITIONS

Symbol	Parameter	Value	Unit
Vcc	DC Supply Conditions	4.5 to Vz	V

4 ELECTRICAL CHARACTERISTICS

$T_{amb} = 25^{\circ}\text{C}$ and $V_{cc} = +18\text{V}$ (unless otherwise specified)

Symbol	Parameter	Test Condition	Min	Typ	Max	Unit
Total Current Consumption						
I_{cc}	Total Supply Current, excluding current in Voltage Reference.	$V_{cc} = 18\text{V}$, no load $T_{min.} < T_{amb} < T_{max.}$			1	mA
V_z	V_{cc} clamp voltage	$I_{cc} = 50\text{mA}$		28		V
Operators						
V_{io}	Input Offset Voltage TSM1011 TSM1011A	$T_{amb} = 25^{\circ}\text{C}$ $T_{min.} \leq T_{amb} \leq T_{max.}$ $T_{amb} = 25^{\circ}\text{C}$ $T_{min.} \leq T_{amb} \leq T_{max.}$		1 0.5	4 5 2 3	mV
DV_{io}	Input Offset Voltage Drift			7		$\mu\text{V}/^{\circ}\text{C}$
I_{io}	Input Offset Current	$T_{amb} = 25^{\circ}\text{C}$ $T_{min.} \leq T_{amb} \leq T_{max.}$		2	30 50	nA
I_{ib}	Input Bias Current	$T_{amb} = 25^{\circ}\text{C}$ $T_{min.} \leq T_{amb} \leq T_{max.}$		20 50	150 200	nA
SVR	Supply Voltage Rejection Ratio	$V_{CC} = 4.5\text{V}$ to 28V	65	100		dB
V_{icm}	Input Common Mode Voltage Range for CV op-amp		1.5		$V_{cc}-1.5$	V
V_{icm}	Input Common Mode Voltage Range for CC op-amp		0		$V_{cc}-1.5$	V
CMR	Common Mode Rejection Ratio	$T_{amb} = 25^{\circ}\text{C}$ $T_{min.} \leq T_{amb} \leq T_{max.}$	70 60	85		dB
Output stage						
G_m	Transconduction Gain. Sink Current Only ¹	$T_{amb} = 25^{\circ}\text{C}$ $T_{min.} \leq T_{amb} \leq T_{max.}$	1	3.5 2.5		mA/mV
V_{ol}	Low level output voltage at 10 mA sinking current			200	600	mV
I_{os}	Output Short Circuit Current. Output to V_{cc} . Sink Current Only	$T_{amb} = 25^{\circ}\text{C}$ $T_{min.} \leq T_{amb} \leq T_{max.}$		27	50	mA
Voltage reference						
V_{ref}	Reference Input Voltage, $I_{load}=1\text{mA}$ TSM1011 1% precision TSM1011A 0.5% precision	$T_{amb} = 25^{\circ}\text{C}$	2.519 2.532	2.545 2.545	2.57 2.557	V
ΔV_{ref}	Reference Input Voltage Deviation Over Temperature Range	$T_{min.} \leq T_{amb} \leq T_{max.}$		20	30	mV
RegLine	Reference input voltage deviation over V_{cc} range.	$I_{load} = 5\text{mA}$			20	mV
RegLoad	Reference input voltage deviation over output current.	$V_{cc} = 18\text{V}$, $0 < I_{load} < 10\text{mA}$			10	mV

1) The current depends on the difference voltage between the negative and the positive inputs of the amplifier. If the voltage on the minus input is 1mV higher than the positive amplifier, the sinking current at the output OUT will be increased by 3.5mA.

Fig. 1: Internal Schematic

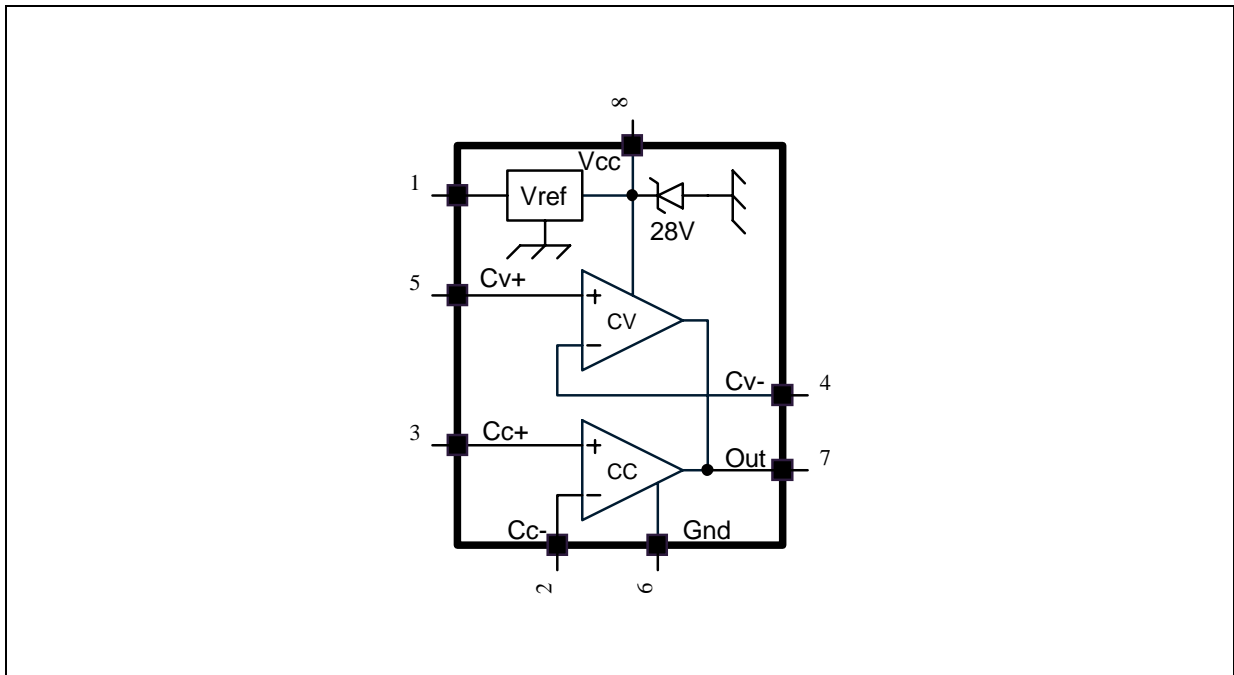
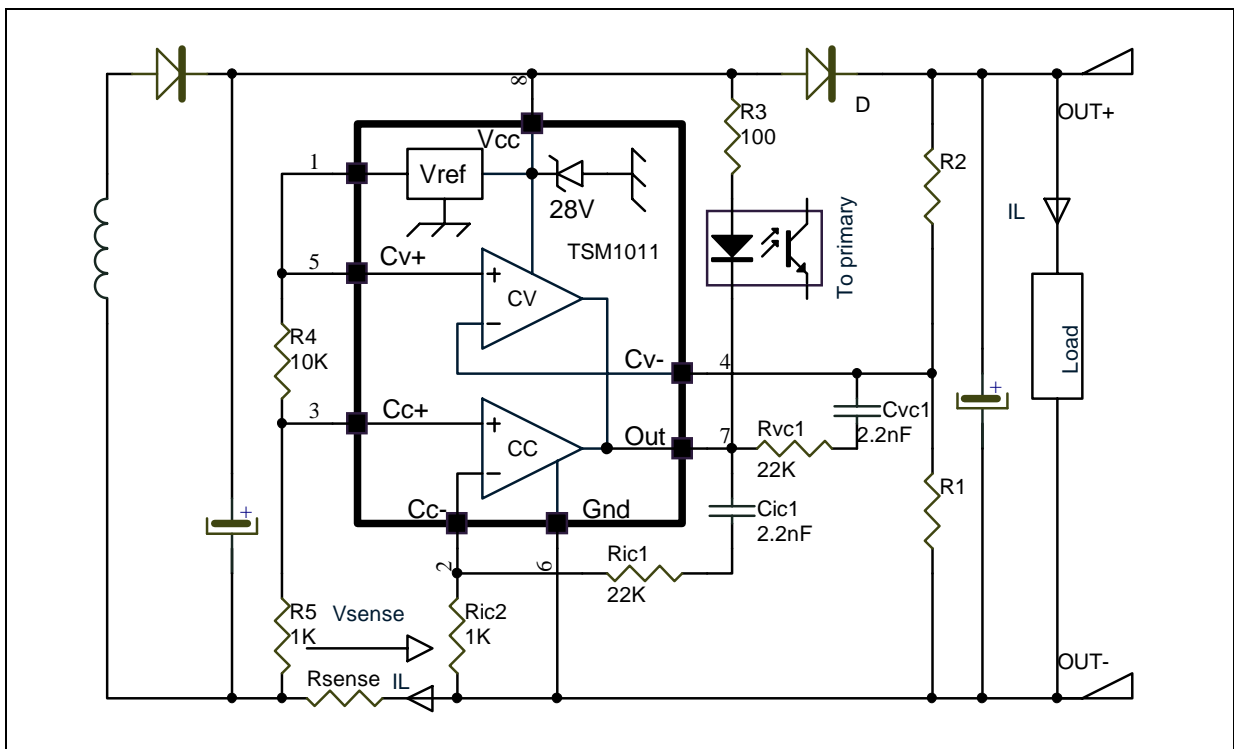


Fig. 2: Typical Adapter Application Using TSM1011



In the above application schematic, the TSM1011 is used on the secondary side of a flyback adapter (or battery charger) to provide an accurate control of voltage and current. The above feedback loop is made with an optocoupler.

5 VOLTAGE AND CURRENT CONTROL

5.1 Voltage Control

The voltage loop is controlled via a first transconductance operational amplifier, the resistor bridge R_1 , R_2 , and the optocoupler which is directly connected to the output.

The relative values of R_1 and R_2 should be chosen in accordance with [Equation 1](#):

$$R_1 = R_2 \cdot \left(\frac{V_{ref}}{V_{out} - V_{ref}} \right) \quad \text{Equation 1}$$

where V_{out} is the desired output voltage.

To avoid discharge of the load, the resistor bridge R_1 , R_2 should have high impedance. For this type of application, a total value of 100k Ω (or more) would be appropriate for the resistors R_1 and R_2 .

For example, if $R_2 = 100\text{k}\Omega$, $V_{out} = 4.10\text{V}$, $V_{ref} = 2.5\text{V}$, then $R_1 = 41.9\text{k}\Omega$.

Note: If the low drop diode is to be inserted between the load and the voltage regulation resistor bridge to avoid current flowing from the load through the resistor bridge, this drop should be taken into account in the above calculations by replacing V_{out} by $(V_{out} + V_{drop})$.

5.2 Current control

The current loop is controlled via the second transconductance operational amplifier, the sense resistor R_{sense} , and the optocoupler.

V_{sense} threshold is achieved externally by a resistor bridge tied to the V_{ref} voltage reference. Its midpoint is tied to the positive input of the current control operational amplifier, and its foot is to be connected to lower potential point of the sense resistor, as shown in [Figure 3](#). The resistors of this bridge are matched to provide the best precision possible.

The control equation verifies that:

$$R_{sense} \cdot I_{lim} = V_{sense}$$

$$V_{sense} = R_5 \cdot \frac{V_{ref}}{R_4 + R_5} \quad \text{Equation 2}$$

$$I_{lim} = \frac{R_5 \cdot V_{ref}}{(R_4 + R_5) \cdot R_{sense}} \quad \text{Equation 2'}$$

where I_{lim} is the desired limited current, and V_{sense} is the threshold voltage for the current control loop.

Note that the R_{sense} resistor should be chosen taking into account the maximum dissipation (P_{lim}) through it during full load operation.

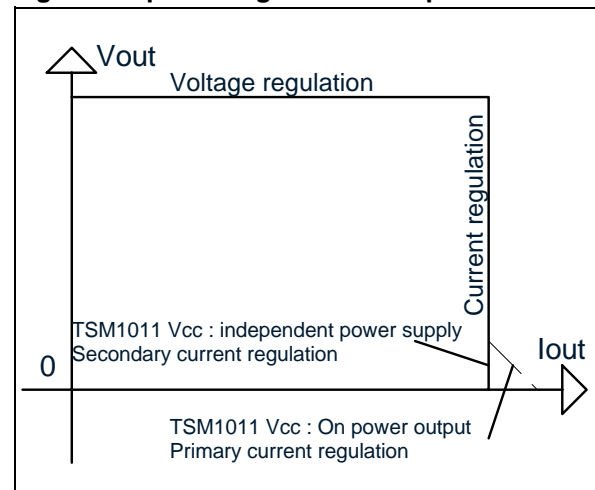
$$P_{lim} = V_{sense} \cdot I_{lim} \quad \text{Equation 3}$$

Therefore, for most adapter and battery charger applications, a quarter-watt, or half-watt resistor to make the current sensing function is sufficient.

The current sinking outputs of the two transconductance operational amplifiers are common (to the output of the IC). This makes an ORing function which ensures that whenever the current or the voltage reaches too high values, the optocoupler is activated.

The relation between the controlled current and the controlled output voltage can be described with a square characteristic as shown in the following V/I output-power graph.

Fig. 3: Output voltage versus output current



6 COMPENSATION

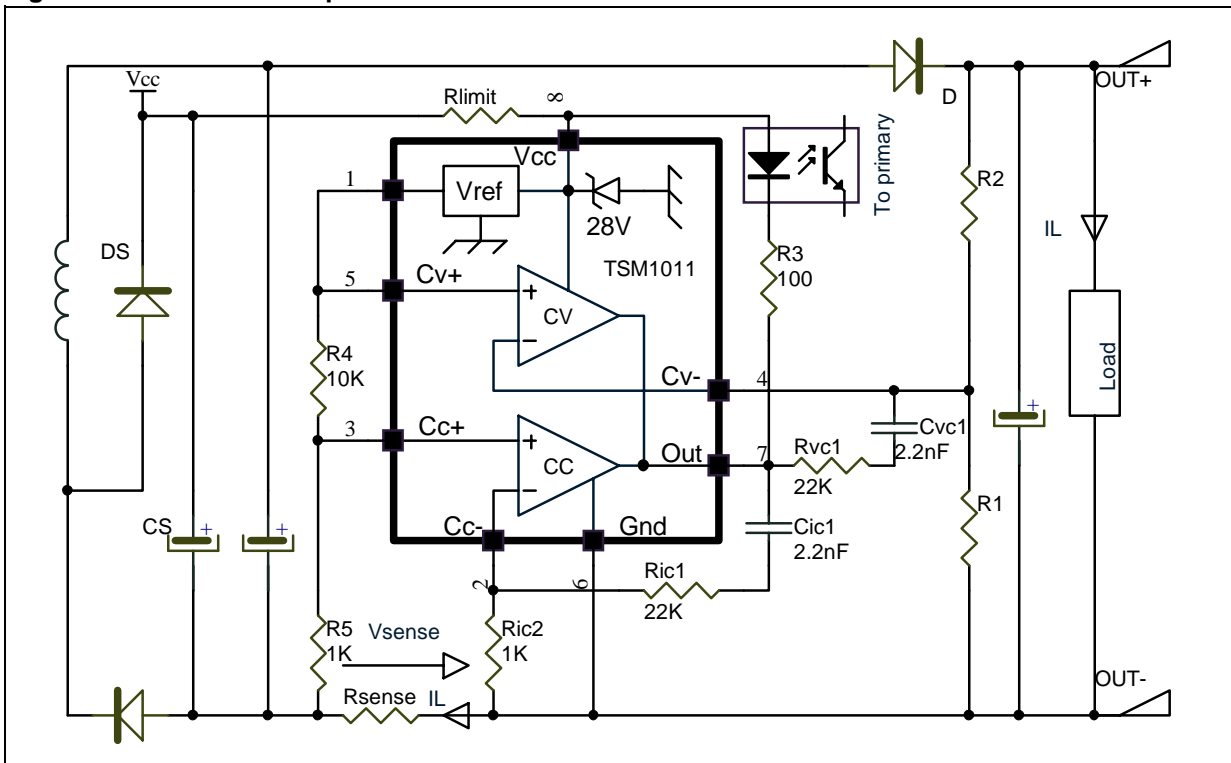
The voltage-control transconductance operational amplifier can be fully compensated. Both its output and negative input are directly accessible for external compensation components.

An example of a suitable compensation network is shown in *Figure 5*. It consists of a capacitor $C_{cv1}=2.2nF$ and a resistor $R_{cv1}=22K\Omega$ in series.

The current-control transconductance operational amplifier can be fully compensated. Both of its output and negative input are directly accessible for external compensation components.

An example of a suitable compensation network is shown in *Figure 5*. It consists of a capacitor $C_{ic1}=2.2nF$ and a resistor $R_{ic1}=22K\Omega$ in series.

Fig. 4: Schematic of compensation network



7 START UP AND SHORT CIRCUIT CONDITIONS

Under start-up or short-circuit conditions the TSM1011 is not provided with a high enough supply voltage. This is due to the fact that the chip has its power supply line in common with the power supply line of the system.

Therefore, the current limitation can only be ensured by the primary PWM module, which should be chosen accordingly.

If the primary current limitation is not considered to be precise enough for the application, then a sufficient supply for the TSM1011 has to be ensured under all conditions. This means that it is

necessary to add some circuitry to supply the chip with a separate power line. This can be achieved in numerous ways, including an additional winding on the transformer.

8 VOLTAGE CLAMP

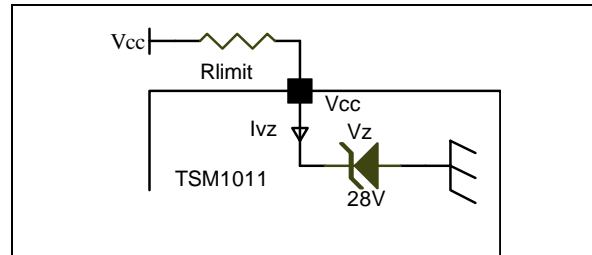
The schematic in *Figure 5* shows how to realize a low-cost power supply for the TSM1011 (with no additional windings).

Please pay attention to the fact that in the particular case presented here, this low-cost power supply can reach voltages as high as twice the voltage of the regulated line.

Since the Absolute Maximum Rating of the TSM1011 supply voltage is 28V. In the aim to protect the TSM1011 against such high voltage values a internal zener clamp is integrated.

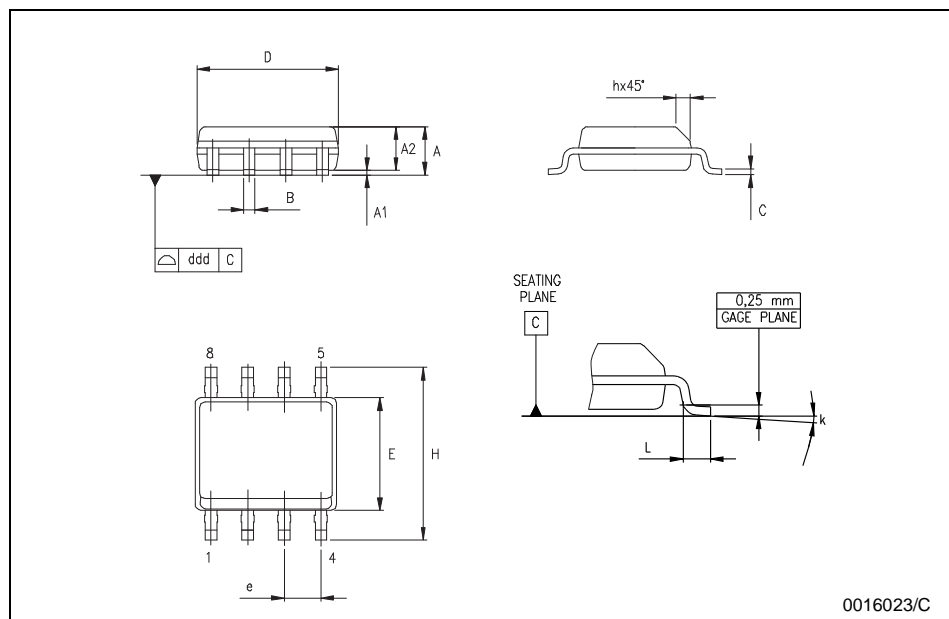
$$R_{limit} = I_{vz} \cdot (V_{cc} - V_z)$$

Fig. 5: Clamp voltage



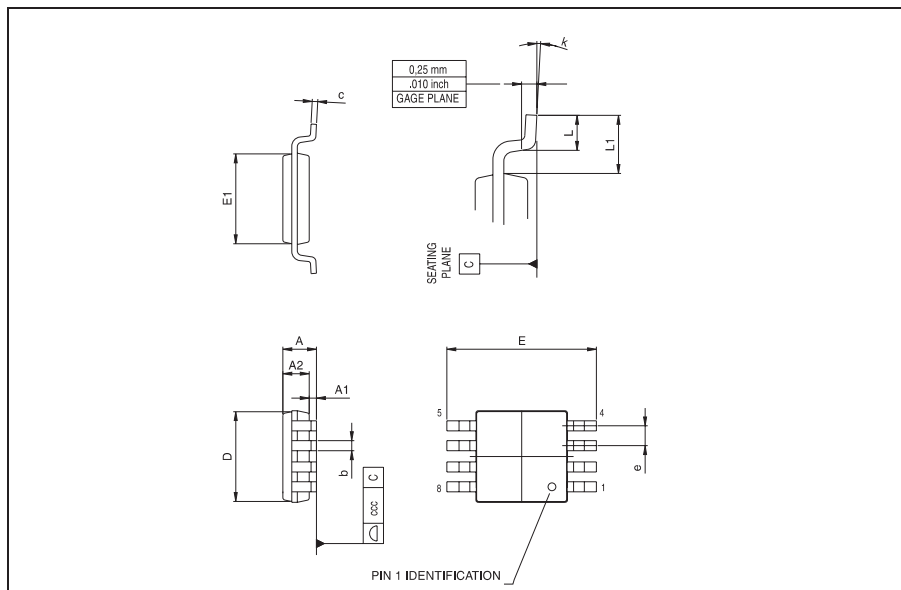
9 PACKAGE MECHANICAL DATA

SO-8 MECHANICAL DATA						
DIM.	mm.			inch		
	MIN.	TYP.	MAX.	MIN.	TYP.	MAX.
A	1.35		1.75	0.053		0.069
A1	0.10		0.25	0.04		0.010
A2	1.10		1.65	0.043		0.065
B	0.33		0.51	0.013		0.020
C	0.19		0.25	0.007		0.010
D	4.80		5.00	0.189		0.197
E	3.80		4.00	0.150		0.157
e		1.27			0.050	
H	5.80		6.20	0.228		0.244
h	0.25		0.50	0.010		0.020
L	0.40		1.27	0.016		0.050
k	8° (max.)					
ddd			0.1			0.04



10 PACKAGE MECHANICAL DATA

miniSO-8 MECHANICAL DATA						
DIM.	mm.			inch		
	MIN.	TYP.	MAX.	MIN.	TYP.	MAX.
A			1.1			0.043
A1	0.05	0.10	0.15	0.002	0.004	0.006
A2	0.78	0.86	0.94	0.031	0.031	0.037
b	0.25	0.33	0.40	0.010	0.13	0.013
c	0.13	0.18	0.23	0.005	0.007	0.009
D	2.90	3.00	3.10	0.114	0.118	0.122
E	4.75	4.90	5.05	0.187	0.193	0.199
E1	2.90	3.00	3.10	.0114	0.118	0.122
e		0.65			0.026	
K	0°		6°	0°		6°
L	0.40	0.55	0.70	0.016	0.022	0.028
L1			0.10			0.004



Information furnished is believed to be accurate and reliable. However, STMicroelectronics assumes no responsibility for the consequences of use of such information nor for any infringement of patents or other rights of third parties which may result from its use. No license is granted by implication or otherwise under any patent or patent rights of STMicroelectronics. Specifications mentioned in this publication are subject to change without notice. This publication supersedes and replaces all information previously supplied. STMicroelectronics products are not authorized for use as critical components in life support devices or systems without express written approval of STMicroelectronics.

The ST logo is a registered trademark of STMicroelectronics
 All other names are the property of their respective owners.

© 2003 STMicroelectronics - All Rights Reserved

STMicroelectronics GROUP OF COMPANIES

Australia - Belgium - Brazil - Canada - China - Czech Republic - Finland - France - Germany
 Hong Kong - India - Israel - Italy - Japan - Malaysia - Malta - Morocco - Singapore - Spain
 Sweden - Switzerland - United Kingdom - United States

<http://www.st.com>

