



CRX14

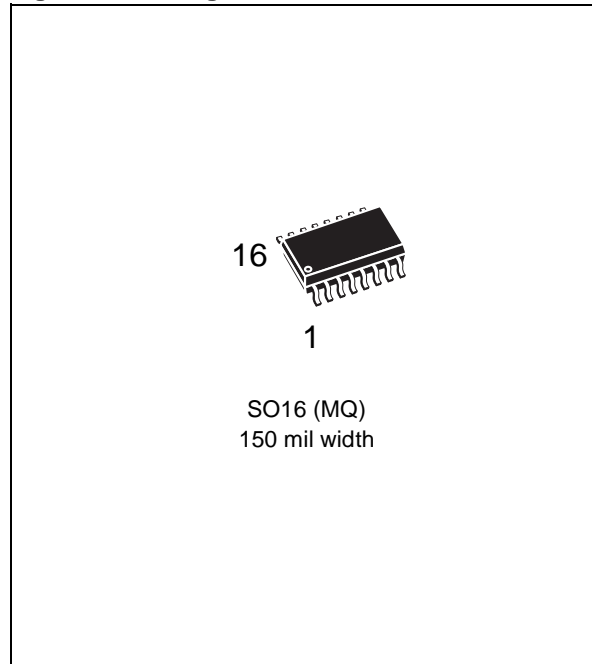
Low Cost 13.56MHz / I²C Short Range Contactless Coupler Chip with anti-collision, CRC management and anti-clone function

DATA BRIEFING

FEATURES SUMMARY

- Single 5V ±500mV Supply Voltage
- SO16N package
- External Oscillator
 - 13.56MHz Quartz
 - 32.768kHz Quartz with Frequency Multiplier
- Contactless Communication
 - 13.56MHz Carrier Frequency
 - ISO 14443B - 2 Air Interface Compliant
 - ISO 14443B - 3 Frame Format Compliant
 - Support Frame Answer with/without SOF/EOF
 - CRC generation and check
 - France Telecom Proprietary Anti-Clone Function
 - Automated ST anti-collision exchange
- I²C Communication
 - Two Wire I²C Serial Interface
 - Supports 400 kHz Protocol
 - 3 Chip Enable pin
 - Up to 8 CRX14 connected on the same bus

Figure 1. Packages



CRX14

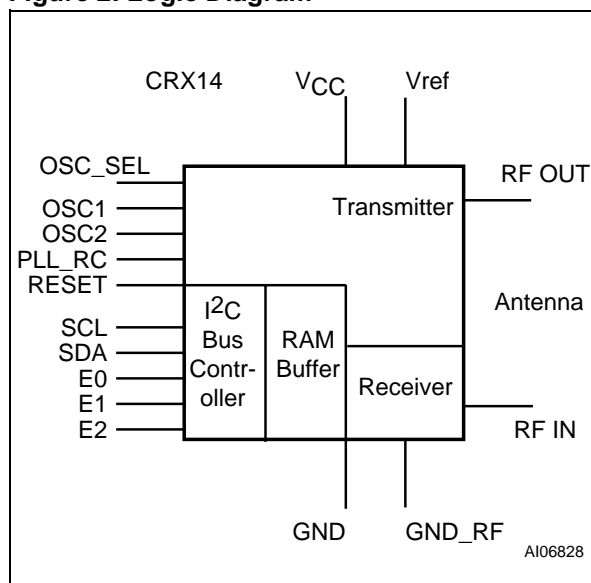
SUMMARY DESCRIPTION

The CRX14 is a contactless coupler, compliant with the short range ISO14443B standard controlled, using the two wire I²C bus.

The CRX14 generates a 13.56MHz signal on an external antenna. Transmitted data are modulated using Amplitude Shift Keying (ASK) modulation. Received data are demodulated from the tag load variation signal, generated on the antenna, using Bit Phase Shift Keying (BPSK) coding of an 847kHz sub-carrier. The Transmitted ASK wave is 10% modulated. The Data transfer rate between the CRX14 and the tag is 106Kbit/s in both transmission and reception modes.

The CRX14 follows the ISO 14443 part 2 type B recommendation for the radio-frequency power and signal interface.

Figure 2. Logic Diagram



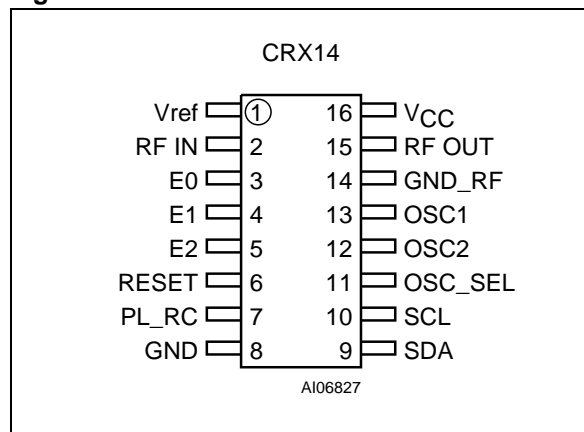
The CRX14 targets short range applications which need disposable or secure and re-usable products. The CRX14 includes an automated anti-collision mechanism that allows it to detect and select tags present at the same time within range of the CRX14. The anti-collision is based on the STMicroelectronics probabilistic scanning methodology. The CRX14 provides an anti-clone function from FRANCE TELECOM which allows tag authentication. With the use of the single chip coupler CRX14, it is easy to design a reader with the

authentication capability and to build a system with a high level of security at low cost.

Table 1. Signal Names

| | |
|-------------|--------------------------------------|
| RF OUT | Antenna Output Driver |
| RF IN | Antenna Input Filter |
| VCC / GND | Power Supply & Ground |
| GND_RF | Ground for RF circuitry |
| OSC1 / OSC2 | Oscillator input |
| PLL_RC | PLL RC filter Input |
| Vref | Transmitter Reference Voltage |
| OSC_SEL | 13.56MHz/32.768kHz osc select |
| RESET | Reset |
| SCL | I ² C Clock |
| SDA | I ² C Bi-Directional Data |
| E0 | I ² C Chip Enable |
| E1 | I ² C Chip Enable |
| E2 | I ² C Chip Enable |

Figure 3. SO Connections



The CRX14 provides a complete analog interface, compliant with the ISO/IEC 14443 recommendations for a radio-frequency power and signal interface. It allows the ISO 14443-2 type B proximity tag to be powered and to have control data transmitted, via a simple antenna. The CRX14 is fabricated with STMicroelectronics High Endurance Single Polysilicon CMOS technology.

The CRX14 is organized in four blocks:

- The I²C bus controller handles the serial connection with the application host. It is compliant with the 400kHz I²C bus specification and it controls the read/write access to all the CRX14 registers.
- The RAM buffer is bi-directional. It stores all the request frame bytes to be transmitted to the tag and all received bytes send by the tag on the answer frame.
- The transmitter powers all the contactless tags, within range, by generating a RF magnetic field at 13.56MHz on an external antenna. The field is 10% modulated using ASK (amplitude shift keying) modulation for outgoing data.
- The receiver demodulates the signal generated

on the antenna by the load variation of the contactless tag. The resulting signal is decoded by a 847KHz BPSK (binary phase shift keying) sub-carrier decoder.

The CRX14 is designed to be connected to a digital host (Microcontroller or ASIC) which has to manage all the communication protocol in both transmit and receive mode through the I²C serial bus.

CRX14 DEVICE OPERATION

The CRX14 chip coupler provides four volatile registers. They control all the behaviour of the device and are described in Table 2.

Table 2. CRX14 Control Registers

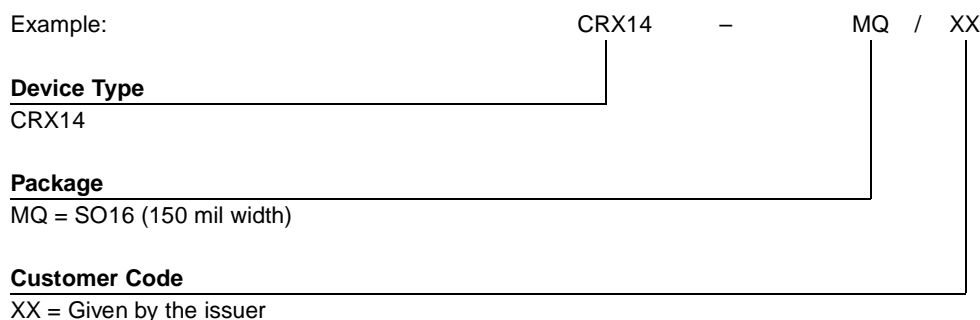
| I2C Address | | Access | Purpose |
|-------------|-----------------------------|--------|--|
| 00h | Parameters register | W | Set parameter register |
| | | R | Read parameter register |
| 01h | Input/Output frame register | W | Store and send request frame to the tag. Store tag answer frame |
| | | R | Transfer register content to Host |
| 02h | Authenticate register | W | Start the Authenticate process |
| | | R | Get the Authenticate status |
| 03h | Slot Marker register | W | Launch the automated anti-collision process |
| | | R | Not Applicable. Return data FFh. |

PART NUMBERING

For a list of available options (speed, package, etc.) or for further information on any aspect of this

device, please contact your nearest ST Sales Office.

Table 3. Ordering Information Scheme



Information furnished is believed to be accurate and reliable. However, STMicroelectronics assumes no responsibility for the consequences of use of such information nor for any infringement of patents or other rights of third parties which may result from its use. No license is granted by implication or otherwise under any patent or patent rights of STMicroelectronics. Specifications mentioned in this publication are subject to change without notice. This publication supersedes and replaces all information previously supplied. STMicroelectronics products are not authorized for use as critical components in life support devices or systems without express written approval of STMicroelectronics.

The ST logo is registered trademark of STMicroelectronics
All other names are the property of their respective owners

© 2002 STMicroelectronics - All Rights Reserved

STMicroelectronics group of companies
Australia - Brazil - Canada - China - Finland - France - Germany - Hong Kong -
India - Israel - Italy - Japan - Malaysia - Malta - Morocco - Singapore - Spain - Sweden - Switzerland - United Kingdom - United States.
www.st.com