

# LINEAR BUILDING BLOCK – DUAL LOW POWER COMPARATOR

## FEATURES

- Rail-to-Rail Inputs and Outputs
- Optimized for Single Supply Operation
- Small Package .....8-Pin MSOP  
(Consumes Half the Space of an 8-pin SOIC)
- Ultra Low Input Bias Current ..... Less than 100pA
- Low Quiescent Current ..... 8μA max
- Operates Down to  $V_{DD} = 1.8V$  min.

## APPLICATIONS

- Power Supply Circuits
- Embedded Systems
- Instrumentation
- Portable Equipment
- Consumer Products
- Replacements for Discrete Components

## GENERAL DESCRIPTION

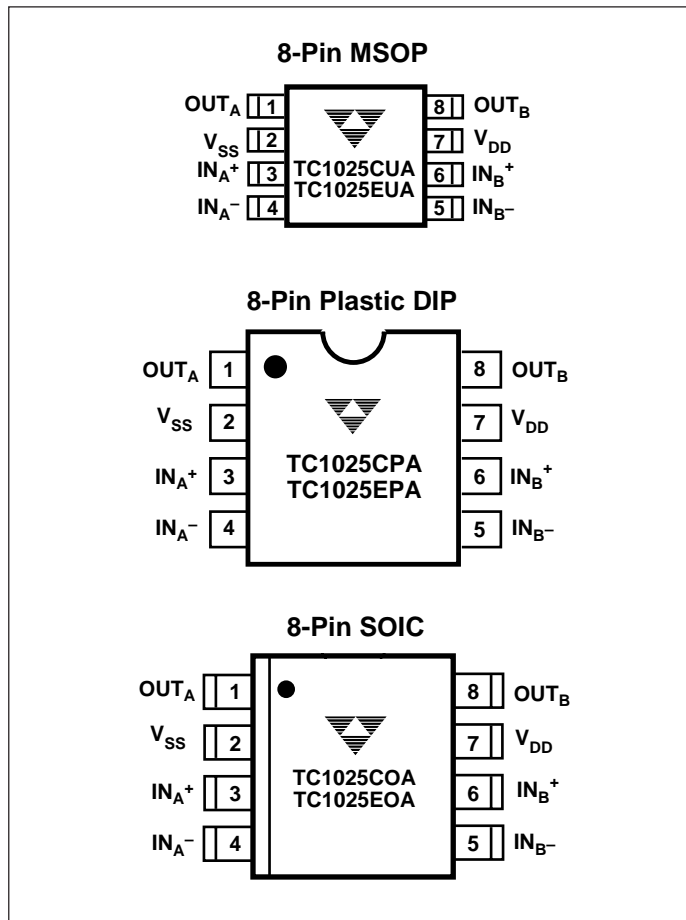
The TC1025 is a dual, low power, complimentary output comparator designed specifically for low power applications.

The TC1025 is designed for operation from a single supply, however, operation from dual supplies is also possible, and the power supply current drain is independent of the magnitude of the power supply voltage. Maximum supply current is 8μA and operation is guaranteed to  $V_{DD} = 1.8V$ . The input and output signal swing is rail-to-rail.

Packaged in a space-saving 8-pin MSOP, the TC1025 consumes half the board area required by a standard 8-pin SOIC package. It is ideal for applications requiring high integration, small size and low power.

3

## PIN CONFIGURATIONS



## ORDERING INFORMATION

Part No.	Package	Temp. Range
TC1025COA	8-Pin SOIC	- 40°C to +85°C
TC1025CPA	8-Pin Plastic DIP	0°C to +70°C
TC1025CUA	8-Pin MSOP	0°C to +70°C
TC1025EOA	8-Pin SOIC	- 40°C to +85°C
TC1025EPA	8-Pin Plastic DIP	- 40°C to +85°C
TC1025EUA	8-Pin MSOP	- 40°C to +85°C

**TC43EV**      *Evaluation Kit for Linear Building Block Family*

## FUNCTIONAL BLOCK DIAGRAM

