

LOW POWER, BANDGAP VOLTAGE REFERENCES

FEATURES

- Output Tolerance 1% or 2%
- Output Voltage Option
 - LM285/385-1.2V 1.235V
 - LM285/385-2.5V 2.5V
- Wide Operating Current Range
 - LM285/385-1.2V 15 μ A to 20mA
 - LM285/385-2.5V 20 μ A to 20mA
- Temperature Coefficient 30ppm/ $^{\circ}$ C
- Dynamic Impedance 0.6 Ω
- TO-92-3 Plastic Package
- 8-Pin Plastic Narrow Body (SOIC) Package

APPLICATIONS

- ADC and DAC Reference
- Current Source Generation
- Threshold Detectors
- Power Supplies
- Multi-meters

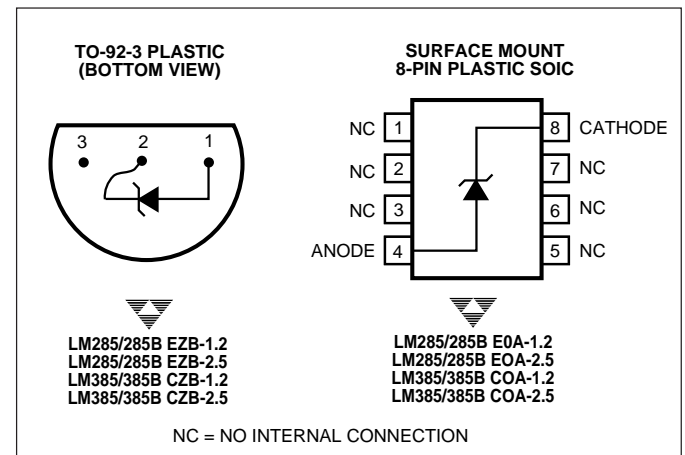
GENERAL DESCRIPTION

The LM285/385-1.2V (1.235V output) and LM285/385-2.5V (2.5V output) are bipolar, two-terminal, bandgap voltage references that offer precision performance without premium price. These devices do not require thin-film resistors, greatly lowering manufacturing complexity and cost.

A 30ppm/ $^{\circ}$ C output temperature coefficient and a 15 μ A to 20mA operating current range make these voltage references especially attractive for multimeter, data acquisition and telecommunications applications.

3

PIN CONFIGURATIONS



ORDERING INFORMATION

Part No.	Package	Temperature Range	Voltage	Tolerance
LM285BEOA-1.2	8-Pin SOIC	-40 $^{\circ}$ C to +85 $^{\circ}$ C	1.2	1%
LM285BEOA-2.5	8-Pin SOIC	-40 $^{\circ}$ C to +85 $^{\circ}$ C	2.5	1.5%
LM285BEZB-1.2	TO-92-3	-40 $^{\circ}$ C to +85 $^{\circ}$ C	1.2	1%
LM285BEZB-2.5	TO-92-3	-40 $^{\circ}$ C to +85 $^{\circ}$ C	2.5	1.5%
LM285EOA-1.2	8-Pin SOIC	-40 $^{\circ}$ C to +85 $^{\circ}$ C	1.2	2%
LM285EOA-2.5	8-Pin SOIC	-40 $^{\circ}$ C to +85 $^{\circ}$ C	2.5	3%
LM285EZB-1.2	TO-92-3	-40 $^{\circ}$ C to +85 $^{\circ}$ C	1.2	2%
LM285EZB-2.5	TO-92-3	-40 $^{\circ}$ C to +85 $^{\circ}$ C	2.5	3%
LM385BCOA-1.2	8-Pin SOIC	0 $^{\circ}$ C to +70 $^{\circ}$ C	1.2	1%
LM385BCOA-2.5	8-Pin SOIC	0 $^{\circ}$ C to +70 $^{\circ}$ C	2.5	1.5%
LM385BCZB-1.2	TO-92-3	0 $^{\circ}$ C to +70 $^{\circ}$ C	1.2	1%
LM385BCZB-2.5	TO-92-3	0 $^{\circ}$ C to +70 $^{\circ}$ C	2.5	1.5%
LM385COA-1.2	8-Pin SOIC	0 $^{\circ}$ C to +70 $^{\circ}$ C	1.2	2%
LM385COA-2.5	8-Pin SOIC	0 $^{\circ}$ C to +70 $^{\circ}$ C	2.5	3%
LM385CZB-1.2	TO-92-3	0 $^{\circ}$ C to +70 $^{\circ}$ C	1.2	2%
LM385CZB-2.5	TO-92-3	0 $^{\circ}$ C to +70 $^{\circ}$ C	2.5	3%

LOW POWER, BANDGAP VOLTAGE REFERENCES

LM285/285B-1.2V
LM285/285B-2.5V
LM385/385B-1.2V
LM385/385B-2.5V

ABSOLUTE MAXIMUM RATINGS*

Forward Current +10mA
 Reverse Current +30mA
 Storage Temperature Range – 65°C to +150°C
 Operating Temperature Range
 TO-92 Package – 40°C to +85°C
 Surface Mount Package – 40°C to +85°C

Lead Temperature (Soldering, 10 sec)
 TO-92 Package +300°C
 Surface Mount Package +300°C
 Power Dissipation
 Limited by Forward/Reverse Current

*Functional operation above the absolute maximum stress ratings is not implied.

ELECTRICAL CHARACTERISTICS: $T_A = +25^\circ\text{C}$, unless otherwise specified.

Symbol	Parameter	Test Conditions	LM285 / LM285B–1.2			LM385 / LM385B–1.2			Unit
			Min	Typ	Max	Min	Typ	Max	
$V_{(BR)R}$	Reverse Breakdown Voltage LM285B-1.2/LM385B-1.2 $T_A = T_{low}$ to T_{high} (Note 1) LM285-1.2V/LM385-1.2V $T_A = T_{low}$ to T_{high} (Note 1)	$I_R \leq 20\text{mA}$	1.223	1.235	1.247	1.223	1.235	1.247	V
			1.200	—	1.270	1.210	—	1.260	
			1.205	1.235	1.260	1.205	1.235	1.260	
			1.192	—	1.273	1.192	—	1.273	
I_{RMIN}	Minimum Operating Current $T_A = +25^\circ\text{C}$ $T_A = T_{low}$ to T_{high} (Note 1)		—	8.0	15	—	8.0	15	μA
			—	—	20	—	—	20	
$\Delta V_{(BR)R}$	Reverse Breakdown Voltage Change with Current $I_{Rmin} = I_R = 1.0\text{mA}$, $T_A = +25^\circ\text{C}$ $T_A = T_{low}$ to T_{high} (Note 1) $1.0\text{mA} = I_R = 20\text{mA}$, $T_A = +25^\circ\text{C}$ $T_A = T_{low}$ to T_{high} (Note 1)		—	—	1.0	—	—	1.0	mV
			—	—	1.5	—	—	1.5	
			—	—	10	—	—	20	
			—	—	20	—	—	25	
Z	Reverse Dynamic Impedance	$I_R = 100\mu\text{A}$	—	0.6	—	—	0.6	—	Ω
$\Delta V_{(BR)}/\Delta T$	Average Temperature Coefficient	$10\mu\text{A} \leq I_R \leq 20\text{mA}$	—	30	100	—	30	100	ppm/ $^\circ\text{C}$
S	Long Term Stability	$I_R = 100\mu\text{A}$, $T_A = +25^\circ\text{C} \pm 0.1^\circ\text{C}$	—	20	—	—	20	—	ppm/kHR

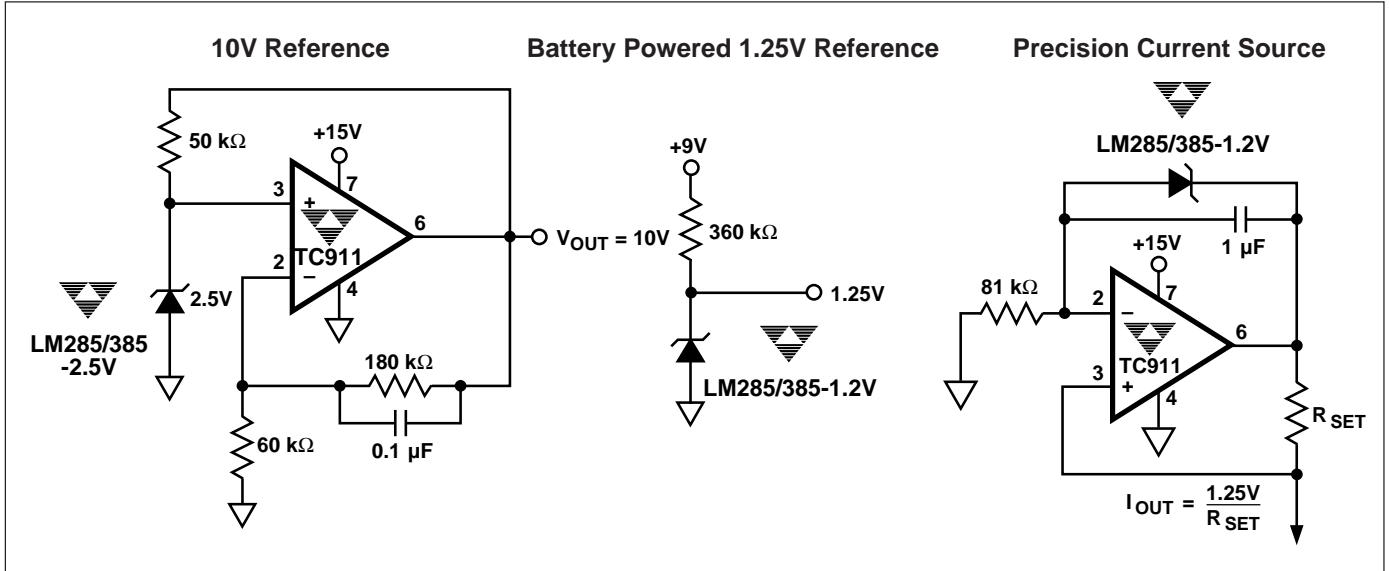
Symbol	Parameter	Test Conditions	LM285 / LM285B–2.5			LM385 / LM385B–2.5			Unit
			Min	Typ	Max	Min	Typ	Max	
$V_{(BR)R}$	Reverse Breakdown Voltage LM285B-2.5/LM385B-2.5 $T_A = T_{low}$ to T_{high} (Note 1) LM285-2.5V/LM385-2.5V $T_A = T_{low}$ to T_{high} (Note 1)	$I_R = 20\text{mA}$	2.462	2.5	2.538	2.462	2.5	2.538	V
			2.415	—	2.585	2.436	—	2.564	
			2.425	2.5	2.575	2.425	2.5	2.575	
			2.400	—	2.600	2.400	—	2.600	
I_{RMIN}	Minimum Operating Current $T_A = +25^\circ\text{C}$ $T_A = T_{low}$ to T_{high} (Note 1)		—	13	20	—	13	20	μA
			—	—	30	—	—	30	
$\Delta V_{(BR)R}$	Reverse Breakdown Voltage Change with Current $I_{Rmin} = I_R = 1.0\text{mA}$, $T_A = +25^\circ\text{C}$ $T_A = T_{low}$ to T_{high} (Note 1) $1.0\text{mA} = I_R = 20\text{mA}$, $T_A = +25^\circ\text{C}$ $T_A = T_{low}$ to T_{high} (Note 1)		—	—	1.0	—	—	2.0	mV
			—	—	1.5	—	—	2.5	
			—	—	10	—	—	20	
			—	—	20	—	—	25	
Z	Reverse Dynamic Impedance	$I_R = 100\mu\text{A}$	—	0.6	—	—	0.6	—	Ω
$\Delta V_{(BR)}/\Delta T$	Average Temperature Coefficient	$20\mu\text{A} \leq I_R \leq 20\text{mA}$	—	30	100	—	30	100	ppm/ $^\circ\text{C}$
S	Long Term Stability	$I_R = 100\mu\text{A}$, $T_A = +25^\circ\text{C} \pm 0.1^\circ\text{C}$	—	20	—	—	20	—	ppm/kHR

Note: 1. $T_{low} = -40^\circ\text{C}$ for LM285-1.2, LM285-2.5, LM285B-1.2, LM285B-2.5
 0°C for LM385-1.2, LM385B-1.2, LM385-2.5, LM385B-2.5
 $T_{high} = +85^\circ\text{C}$ for LM285-1.2, LM285-2.5, LM285B-1.2, LM285B-2.5
 $+70^\circ\text{C}$ for LM385-1.2, LM385B-1.2, LM385-2.5, LM385B-2.5

LOW POWER, BANDGAP VOLTAGE REFERENCES

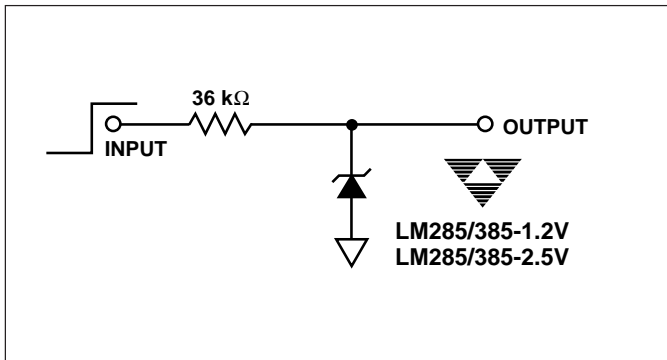
LM285/285B-1.2V
LM285/285B-2.5V
LM385/385B-1.2V
LM385/385B-2.5V

TYPICAL APPLICATIONS



3

RESPONSE TIME TEST CIRCUIT



LM285/285B-1.2V
 LM285/285B-2.5V
 LM385/385B-1.2V
 LM385/385B-2.5V

LOW POWER, BANDGAP
 VOLTAGE REFERENCES

TYPICAL CHARACTERISTICS

