

**2.7–5.5V Fast Infrared Transceiver Module Family
(FIR, 4 Mbit/s)**



Features

- Compliant to IrDA 1.2 (Up to 4 Mbit/s), HP–SIR, Sharp ASK and TV Remote
- Wide Operating Voltage Range (2.7 to 5.5 V)
- Low-Power Consumption (3 mA Supply Current)
- Power Shutdown Mode (1 μ A Shutdown Current)
- Long Range (Up to 2.0 m at 4 Mbit/s in Nominal Design)
- High Efficiency Emitter (120 mW/sr min \pm 15°)
- Three Surface Mount Package Options
 - Universal (9.7 x 4.7 x 4.0 mm)
 - Side View (13.0x5.95x5.3mm)
 - Top View (13.0x7.6x5.95mm)
- BabyFace (Universal) Package Capable of Surface Mount Solderability to Side and Top View Orientation
- Directly Interfaces With Various Super I/O and Controller Devices
- Built–In EMI Protection – No External Shielding Necessary
- Few External Components Required
- Backward Compatible to All TEMIC SIR and FIR Infrared Transceivers

Applications

- Notebook Computers, Desktop PCs, Palmtop Computers (Win CE, Palm PC), PDAs
- Digital Still and Video Cameras
- Printers, Fax Machines, Photocopiers, Screen Projectors
- Telecommunication Products (Cellular Phones, Pagers)
- Internet TV Boxes, Video Conferencing Systems
- External Infrared Adapters (Dongles)
- Medical and Industrial Data Collection Devices

Description

The TFDU6100E, TFDS6500E, and TFDT6500E are a family of low-power infrared transceiver modules compliant to the IrDA 1.2 standard for fast infrared (FIR) data communication, supporting IrDA speeds up to 4.0 Mbit/s, HP–SIR, Sharp ASK and carrier based remote control modes up to 2 MHz. Integrated within the transceiver modules are a photo PIN diode, infrared emitter (IRED), and a low-power CMOS control IC to provide a total front–end solution in a single package. TEMIC’s FIR transceivers are available in three package options, including our BabyFace package (TFDU6100E), the smallest FIR transceiver available on the market. This

wide selection provides flexibility for a variety of applications and space constraints.

The transceivers are capable of directly interfacing with a wide variety of I/O chips which perform the pulse-width modulation/demodulation function, including National Semiconductor’s PC87338, PC87108 and PC87109, SMSC’s FDC37C669, FDC37N769 and CAM35C44, and Hitachi’s SH3. At a minimum, a current-limiting resistor in series with the infrared emitter and a V_{CC} bypass capacitor are the only external components required to implement a complete solution.

Package Options

TFDU6100E
Baby Face (Universal)



TFDS6500E
Side View

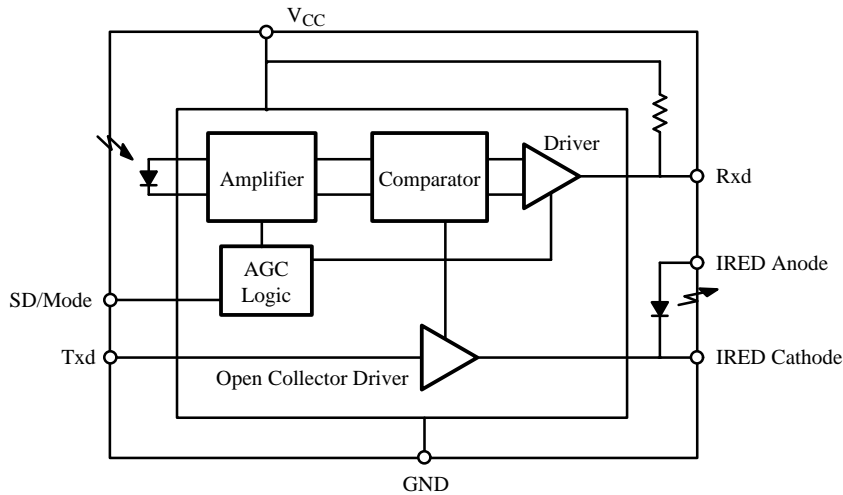


TFDT6500E
Top View



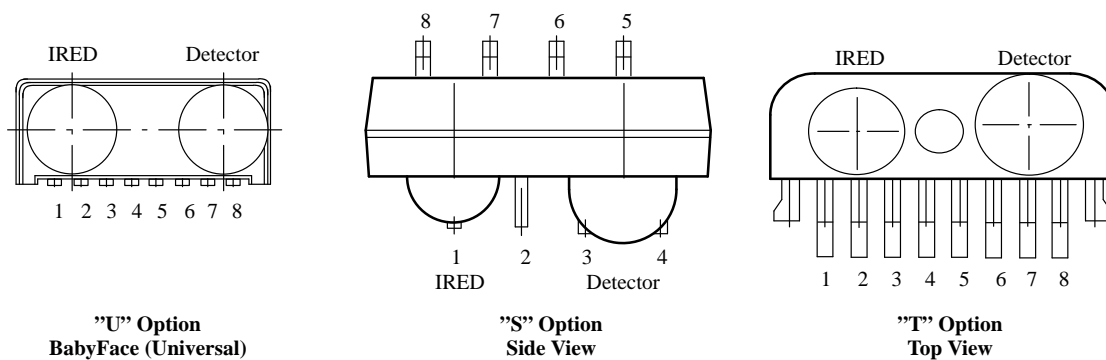
This product is currently in development. Inquiries regarding the status of this product should be directed to TEMIC Marketing.

Functional Block Diagram



Pin Assignment and Description

Pin Number		Function	Description	I/O	Active
"U", "T" Option	"S" Option				
1	8	IRED Anode	IRED anode, should be externally connected to V_{CC} through a current control resistor		
2	1	IRED Cathode	IRED cathode, internally connected to driver transistor		
3	7	Txd	Transmit Data Input	I	HIGH
4	2	Rxd	Received Data Output, push-pull CMOS driver output capable of driving a standard CMOS or TTL load. No external pull-up or pull-down resistor is required (pin is floating when device is in shutdown mode).	O	LOW
5	6	SD/Mode	Shutdown/Mode	I	HIGH
6	3	V_{CC}	Supply Voltage		
7	5	NC	Do not connect.		
8	4	GND	Ground		



Ordering Information

Part Number	Qty/ Reel	Description
TFDU6100E-TR3	1000 pcs	Oriented in carrier tape for side view surface mounting
TFDU6100E-TT3	1000 pcs	Oriented in carrier tape for top view surface mounting
TFDS6500E-TR3	750 pcs	
TFDT6500E-TR3	750 pcs	

Absolute Maximum Ratings

Parameter	Symbol	Test Conditions ^a	Min ^b	Typ ^c	Max ^b	Unit
Supply Voltage Range	V _{CC}		-0.5		6	V
Supply Voltage Range (Anode)	V _{anode}		0		V _{CC} +1.5	
Input Currents ^d					10	mA
Output Sinking Current					25	
Power Dissipation ^e	P _D				350	mW
Junction Temperature	T _J				125	°C
Ambient Temperature Range (Operating)	T _{amb}		-25		85	
Storage Temperature Range	T _{stg}		-25		85	
Soldering Temperature		See Recommended Solder Profile			240	
Average Output Current	I _{IRED (DC)}				130	mA
Repetitive Pulsed Output Current	I _{IRED (RP)}	<90 μs, t _{on} <20%			600	
IRED Anode Voltage at Current Output	V _{IRED A}		-0.5		6	V
Transmitter Data Input Voltage	V _{Txd}		-0.5		V _{CC} +0.5	
Receiver Data Output Voltage	V _{Rxd}		-0.5		V _{CC} +0.5	
Virtual Source Size ^f	d		2.5	2.8		mm
Maximum Intensity for Class 1 Operation of IEC 825 or EN60825 ^g		EN60825, 1997			320	mW/sr

Notes

- Reference point GND pin unless otherwise noted.
- The algebraic convention whereby the most negative value is a minimum and the most positive a maximum.
- Typical values are for DESIGN AID ONLY, not guaranteed nor subject to production testing.
- Maximum input current for all pins (except IRED Anode pin).
- See Derating Curve.
- Method: (1-1/e) encircled energy.
- Worst case IrDA SIR pulse pattern.

Electrical Characteristics

Parameter	Symbol	Test Conditions ^a	Min ^b	Typ ^c	Max ^b	Unit
Transceiver						
Supply Voltage	V _{CC}		2.7		5.5	V
Dynamic Supply Current ^d	I _{CC}	SD = Low, E _e = 0 mW/m ²		3	4	mA
Dynamic Supply Current	I _{CC}	SD = Low, E _e = 1 klx ^d		3	4	
Standby Supply Current ^e	I _{SD}	SD = High, Mode = floating, 25°C, E _e = 0 klx			1	μA
Standby Supply Current	I _{SD}	SD = High, Mode = floating, T = 25°C, E _e = 1 klx ^d			1.5	
Standby Supply Current ^e	I _{SD}	SD = High, Mode = floating, T = 85°C			5	
Operating Temperature Range	T _A		-25		85	°C
Output Voltage Low	V _{OL}	R _{load} = 2.2 kΩ, C _{load} = 15 pF		0.5	0.8	V
Output Voltage High	V _{OH}	R _{load} = 2.2 kΩ, C _{load} = 15 pF	V _{CC} -0.5			
Input Voltage Low	V _{IL}		0		0.8	
Input Voltage High ^f	V _{IH}		0.9 * V _{CC}			
Input Voltage High ^g	V _{IH}	V _{CC} ≥ 4.5V	2.4			
Input Leakage Current	I _L		-10		+10	μA
Input Capacitance	C _I				5	pF

Notes

- T_{amb} = 25°, V_{CC} = 2.7 – 5.5 V unless otherwise noted.
- The algebraic convention whereby the most negative value is a minimum and the most positive a maximum.
- Typical values are for DESIGN AID ONLY, not guaranteed nor subject to production testing.
- Receive mode only. In transmit mode, add additional 100 mA (typ) to I_{RED} current.
- Not ambient light sensitive.
- CMOS levels.
- TTL levels.

Optoelectronic Characteristics

Parameter	Symbol	Test Conditions ^a	Min ^b	Typ ^c	Max ^b	Unit
Receiver						
Minimum Detection Threshold Irradiance	E_e	9.6 kbit/s to 115.2 kbit/s		20	35	mW/m ²
Minimum Detection Threshold Irradiance	E_e	1.152 Mbit/s to 4 Mbit/s		50	80	
Maximum Detection Threshold Irradiance	E_e		5	10		kW/m ²
Logic LOW Receiver Input Irradiance	E_e		4			mW/m ²
Rise Time of Output Signal	t_{RR}	10% to 90%, @2.2 k Ω , 15pF	10		40	ns
Fall Time of Output Signal	t_{FR}	90% to 10%, @2.2 k Ω , 15pF	10		40	
Rx Pulse Width of Output Signal, 50%	P_w	Input pulse length 20 μ s, 9.6 kbit/s	1.2	10	20	μ s
Rx Pulse Width of Output Signal, 50%	P_w	Input pulse length 1.41 μ s, 115.2 kbit/s mode	1.2		2.2	
Rx Pulse Width of Output Signal, 50%	P_w	Input pulse length 217 ns, 4.0 Mbit/s mode	190		260	ns
Rx Pulse Width of Output Signal, 50%	P_w	Input pulse length 125 ns, 4.0 Mbit/s mode	90		165	
Rx Pulse Width of Output Signal, 50%	P_w	Input pulse length 250 ns, 4.0 Mbit/s mode (double pulse)	210		290	
Jitter, Leading Edge		Input Irradiance = 90 mW/m ² , 4.0 Mbit/s mode			10	
Latency	t_L				120	μ s
Transmitter						
IRED Operating Current	I_D	$V_{CC} = 5$ V, $R_1 = 5.6$ Ω		0.48	0.55	A
Output Radiant Intensity ^d	I_e	Txd = High, SD = Low, $R_1 = 5.6$ Ω	120	140	280	mW/sr
Output Radiant Intensity Half Angle	α			± 24		$^\circ$
Output Radiant Intensity ^d	I_e	Txd = Low or SD = High ^e , $R_1 = 5.6$ Ω			.04	mW/sr
Peak Wavelength	λ_P		880		900	nm
Voltage drop at output driver		$I_F = 600$ mA, pulse length 2 μ s, duty cycle 25%		400	800	mV
Rise Time, Fall Time	t_R, t_F		10		40	ns
Optical Overshoot					25	%

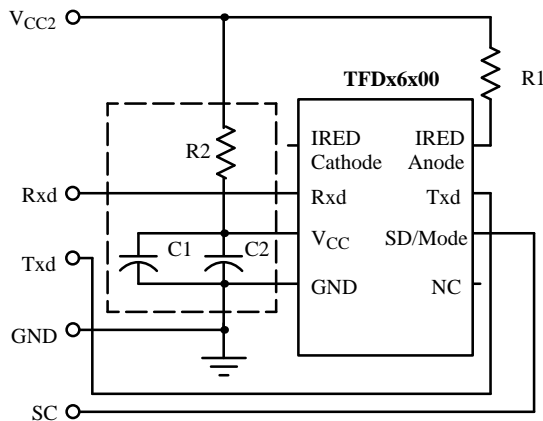
Notes

- $T_{amb} = 25^\circ\text{C}$, $V_{CC} = 2.7 - 5.5$ V unless otherwise noted.
- The algebraic convention whereby the most negative value is a minimum and the most positive a maximum.
- Typical values are for DESIGN AID ONLY, not guaranteed nor subject to production testing.
- $V_{CC} = 5$ V, $\alpha = 0^\circ, 15^\circ$
- Receiver is inactive as long as SD = High

Recommended Circuit Diagram

The only required components for designing an IrDA 1.2 compatible design using TEMIC FIR transceivers are a current limiting resistor, R_1 , to the IRED. However, depending on the entire system design and board layout, additional components may be required (see Figure 1).

TEMIC FIR transceivers integrate a sensitive receiver and a built-in power driver. The combination of both needs a careful circuit board layout. The use of thin, long resistive and inductive wiring should be avoided. The inputs (Txd, SD/Mode) and the output Rxd should be directly (DC) coupled to the I/O circuit.



Note: Outlined components are optional depending on quality of power supply.

Figure 1. Recommended Application Circuit

R_1 is used for controlling the current through the IR emitter. For increasing the output power of the IRED, the value of the resistor should be reduced. Similarly, to reduce the output power of the IRED, the value of the resistor should be increased. For typical values of R_1 see Figure 2. For IrDA compliant operation, a current control resistor of 5.6Ω is recommended. The upper drive current limitation is dependent on the duty cycle and is given by the absolute maximum ratings on the data sheet.

R_2 , C_1 and C_2 are optional and dependent on the quality of the supply voltage V_{CC} and injected noise. An unstable power supply with dropping voltage during transmission may reduce sensitivity (and transmission range) of the transceiver.

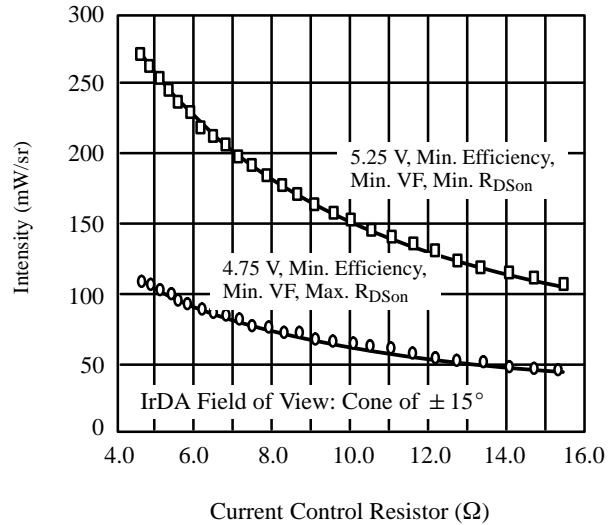


Figure 2. I_e vs. R_1

The placement of these parts is critical. It is strongly recommended to position C_2 as near as possible to the transceiver power supply pins. A tantalum capacitor should be used for C_1 while a ceramic capacitor is used for C_2 . Also, when connecting the described circuit to the power supply, low impedance wiring should be used.

Table 1. Recommended Application Circuit Components

Component	Recommended Value
C1	4.7 μ F, Tantalum
C2	0.1 μ F, Ceramic
R1	5.6 Ω , 0.25 W (recommend using two 0.125 W resistors in parallel)
R2	47 Ω , 0.125 W

Mode Switching

The TFDU6100E, TFDS6500E and TFDT6500E powers on in a no default mode, therefore the data transfer rate has to be set by a programming sequence as described below or selected by setting the mode pin. When using the Mode pin, the standby current might be increased to about 50 to 60 μ A. In standby mode, the mode input should float to minimize standby current.

The low frequency mode covers speeds up to 115.2 kbit/s. Signals with higher data rates should be detected in the high frequency mode. Lower data frequency data can also

received in high frequency mode with reduced sensitivity. To switch the transceivers from low frequency mode to the 4.0 Mbit/s mode and vice versa, the programming sequences described below are required.

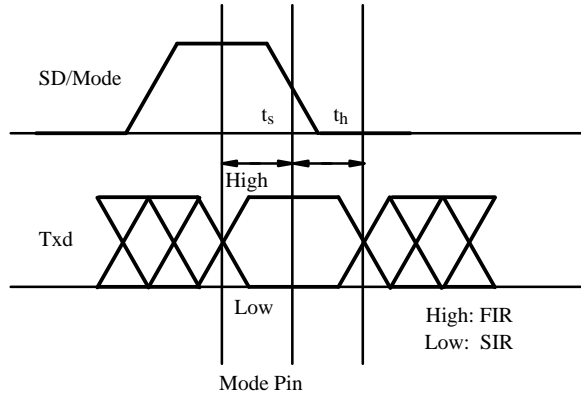


Figure 3. Timing Diagram

Setting to the High Bandwidth Mode (0.576 to 4.0 Mbit/s)

1. Set SD/MODE input to logic "HIGH".

2. Set Txd input to logic "HIGH". Wait $t_s \geq 200$ ns.
3. Set SD/MODE to logic "LOW" (this negative edge latches state of Txd, which determines speed setting).
4. After waiting $t_h \geq 200$ ns Txd can be set to logic "LOW". The hold time of Txd is limited by the maximum allowed pulse length.

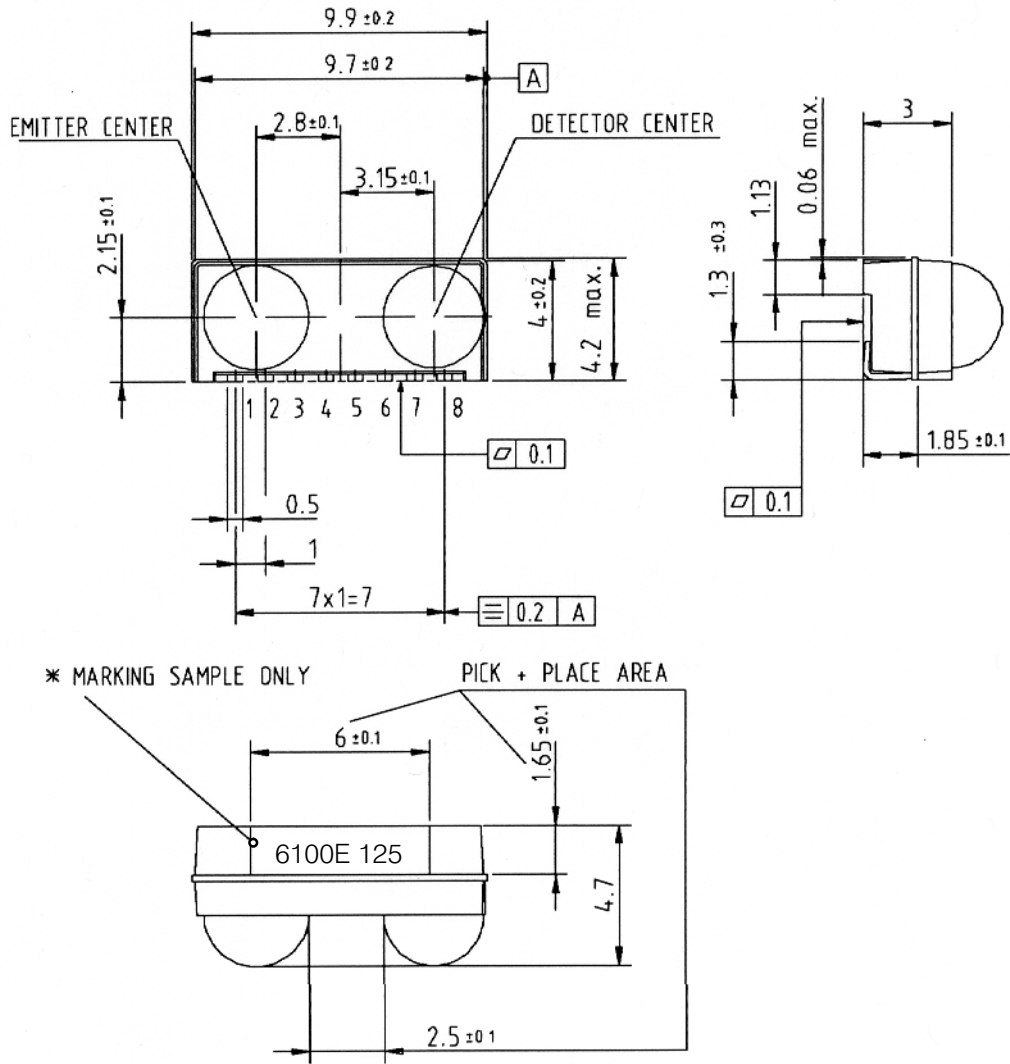
Txd is now enabled as normal Txd input for the high bandwidth mode.

Setting to the Lower Bandwidth Mode (2.4 to 115.2 kbit/s)

1. Set SD/MODE input to logic "HIGH".
2. Set Txd input to logic "LOW". Wait $t_s \geq 200$ ns.
3. Set SD/MODE to logic "LOW" (this negative edge latches state of Txd, which determines speed setting).
4. Txd must be held for $t_h \geq 200$ ns.

Txd is now enabled as normal Txd input for the lower bandwidth mode.

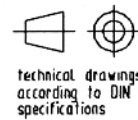
TFDU6100E – BabyFace (Universal) Package
Mechanical Dimensions



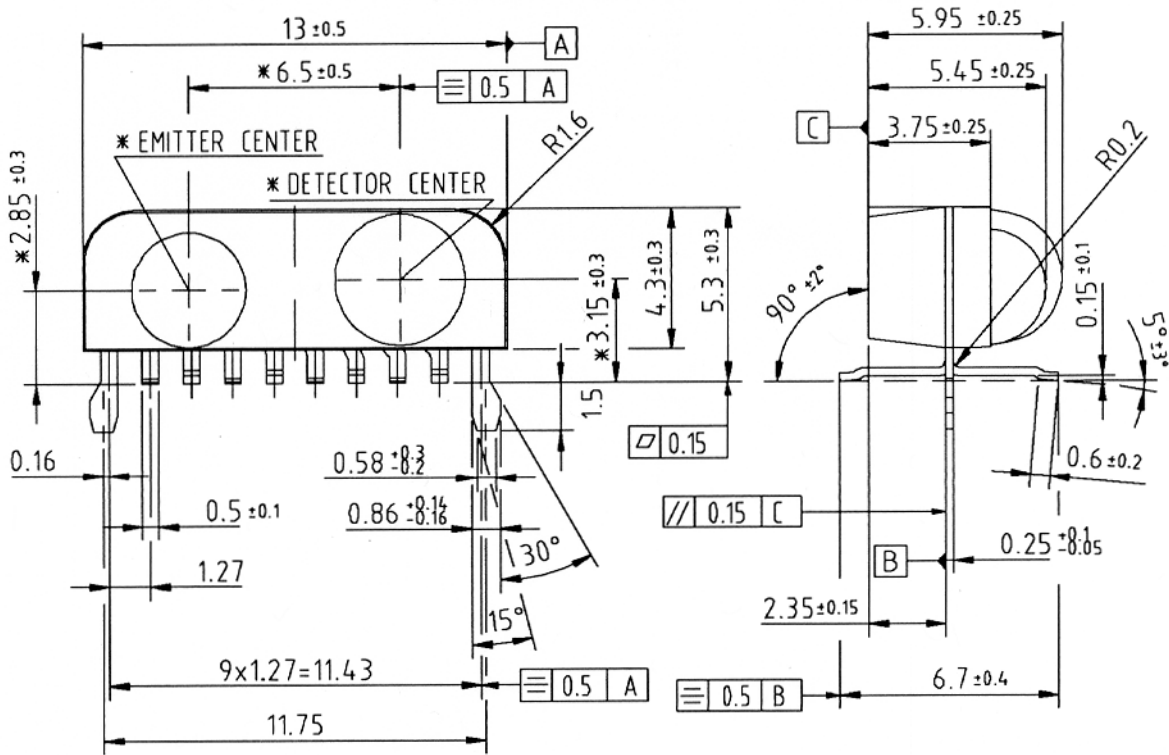
* MARKING SAMPLE ONLY

PICK + PLACE AREA

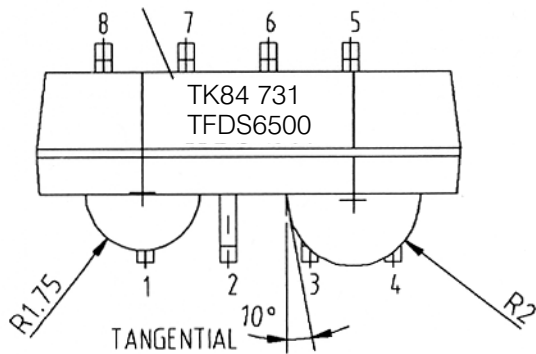
* MARKING ORIENTATION
180 DEGREES ALLOWED



TFDS6500E – Side View Package
Mechanical Dimensions

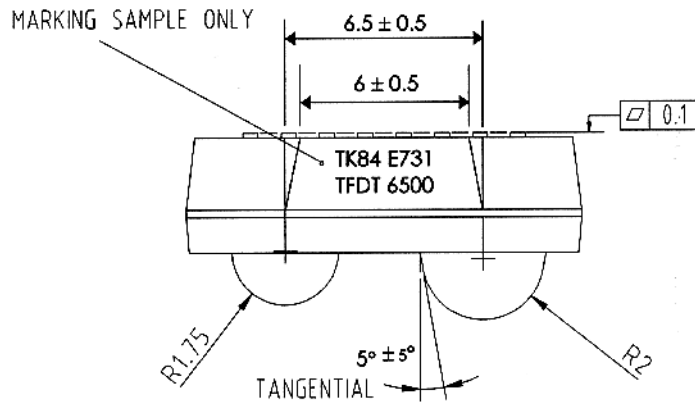
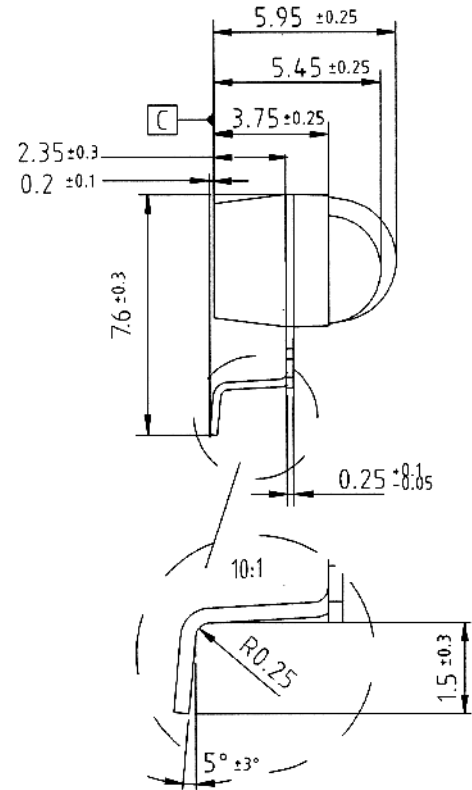
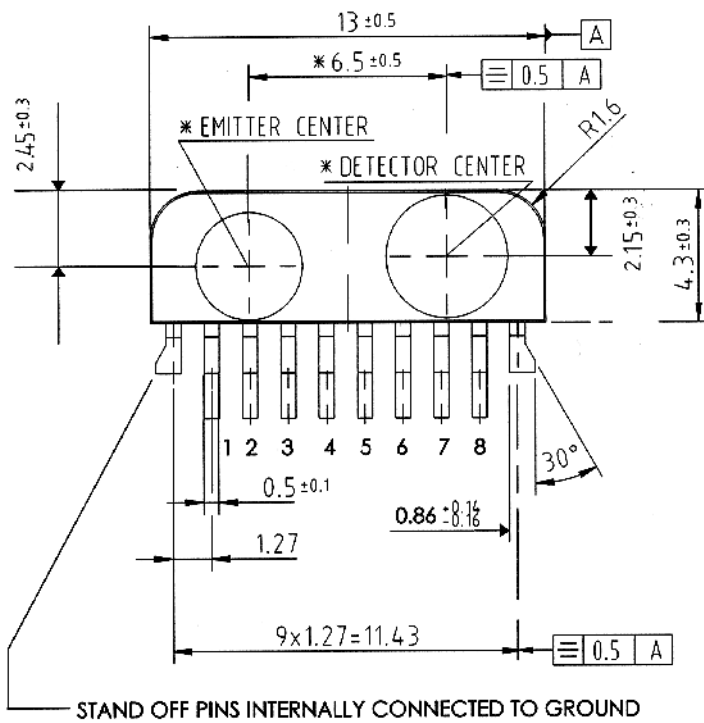


MARKING SAMPLE ONLY



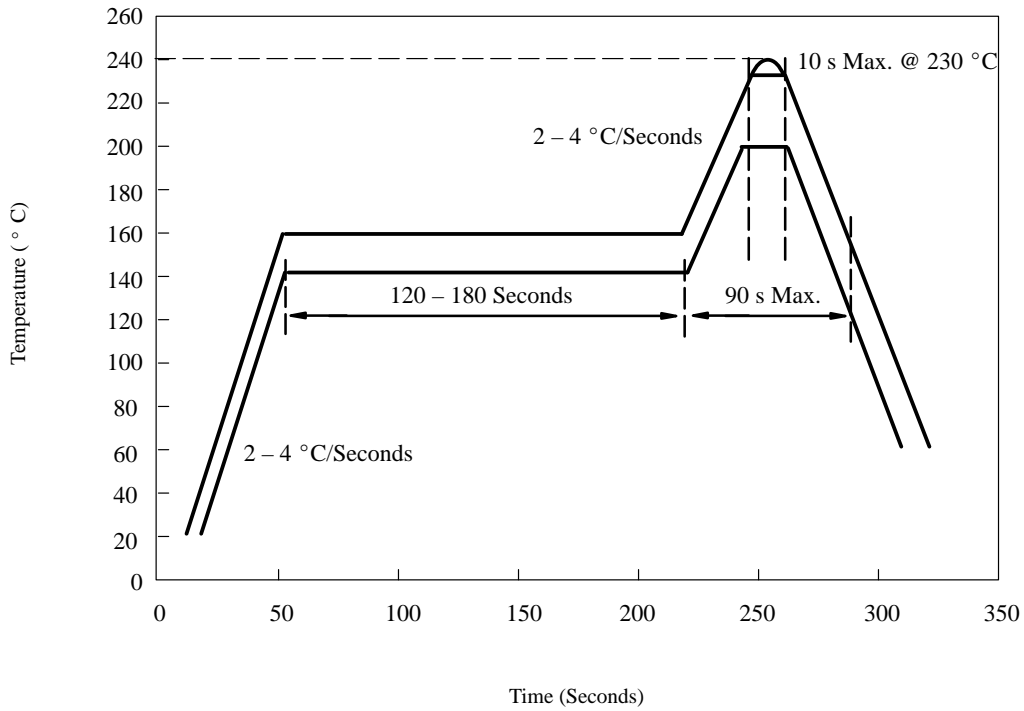
technical drawings
according to DIN
specifications

TFDT6500E – Top View Package Mechanical Dimensions



Technical drawings according to DIN specifications

Recommended Solder Profile



Current Derating Curve

