

SN54LS696, SN54LS697, SN54LS699, SN74LS696, SN74LS697, SN74LS699
SYNCHRONOUS UP/DOWN COUNTERS
WITH OUTPUT REGISTERS AND MULTIPLEXED 3-STATE OUTPUTS
SDLS199 D2424, JANUARY 1981—REVISED MARCH 1988

- 4-Bit Counters/Registers
- Multiplexed Outputs for Counter or Latched Data
- 3-State Outputs Drive Bus Lines Directly
- 'LS696 . . . Decade Counter, Direct Clear
- 'LS697 . . . Binary Counter, Direct Clear
- 'LS699 . . . Binary Counter, Synchronous Clear

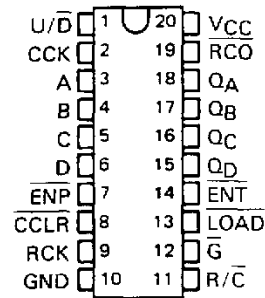
description

These low-power Schottky LSI devices incorporate synchronous up/down counters, four-bit D-type registers, and quadruple two-line to one-line multiplexers with three state outputs in a single 20-pin package. The up/down counters are programmable from the data inputs and feature enable \bar{P} and enable \bar{T} and a ripple-carry output for easy expansion. The register/counter select input R/ \bar{C} , selects the counter when low and the register when high for the three-state outputs, Q_A , Q_B , Q_C , and Q_D . These outputs are rated at 12 and 24 milliamperes (54LS/74LS) for good bus driving performance.

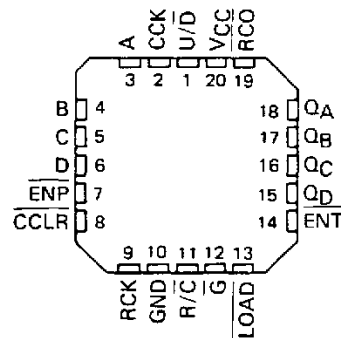
Both the counter CCK and register clock RCK are positive-edge triggered. The counter clear \bar{CCLR} is active low and is asynchronous on the 'LS696 and 'LS697, synchronous on the 'LS699. Loading of the counter is accomplished when \bar{LOAD} is taken low and a positive transition occurs on the counter clock CCK.

Expansion is easily accomplished by connecting \bar{RCO} of the first stage to \bar{ENT} of the second stage, etc. All \bar{ENP} inputs can be tied common and used as a master enable or disable control.

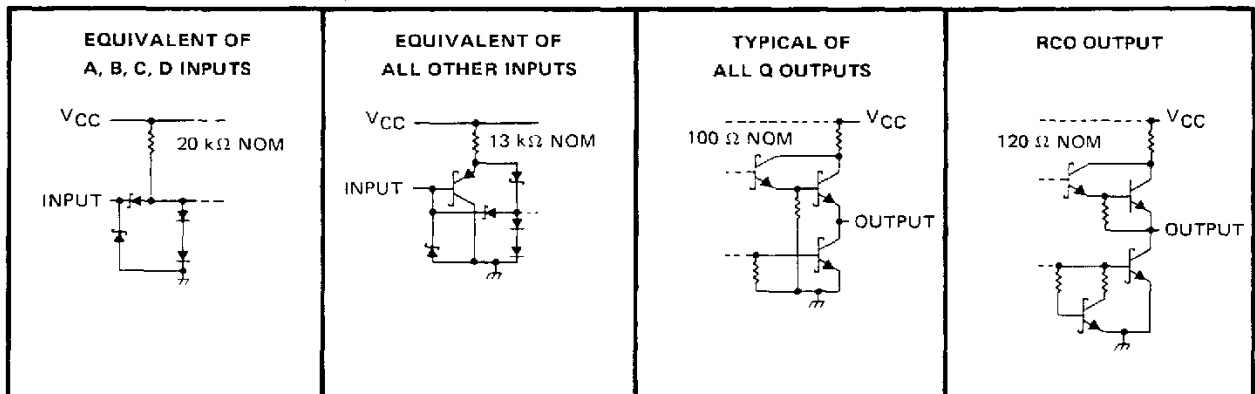
SN54LS696, SN54LS697,
SN54LS699 . . . J OR W PACKAGE
SN74LS696, SN74LS697,
SN74LS699 . . . DW OR N PACKAGE
(TOP VIEW)



SN54LS696, SN54LS697,
SN54LS699 . . . FK PACKAGE
(TOP VIEW)



schematics of inputs and outputs



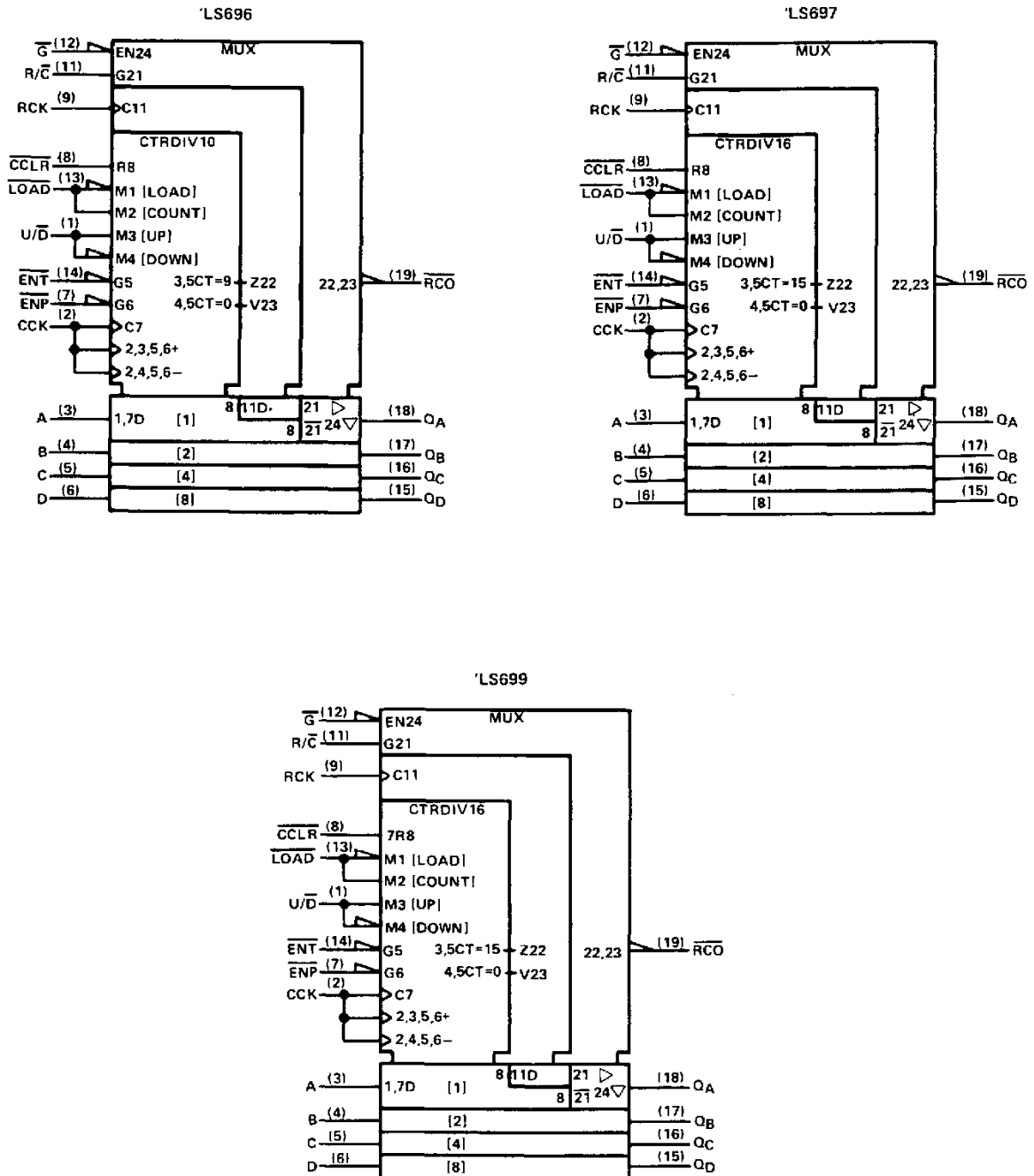
PRODUCTION DATA documents contain information current as of publication date. Products conform to specifications per the terms of Texas Instruments standard warranty. Production processing does not necessarily include testing of all parameters.



POST OFFICE BOX 655012 • DALLAS, TEXAS 75265

SN54LS696, SN54LS697, SN54LS699, SN74LS696, SN74LS697, SN74LS699
SYNCHRONOUS UP/DOWN COUNTERS
WITH OUTPUT REGISTERS AND MULTIPLEXED 3-STATE OUTPUTS

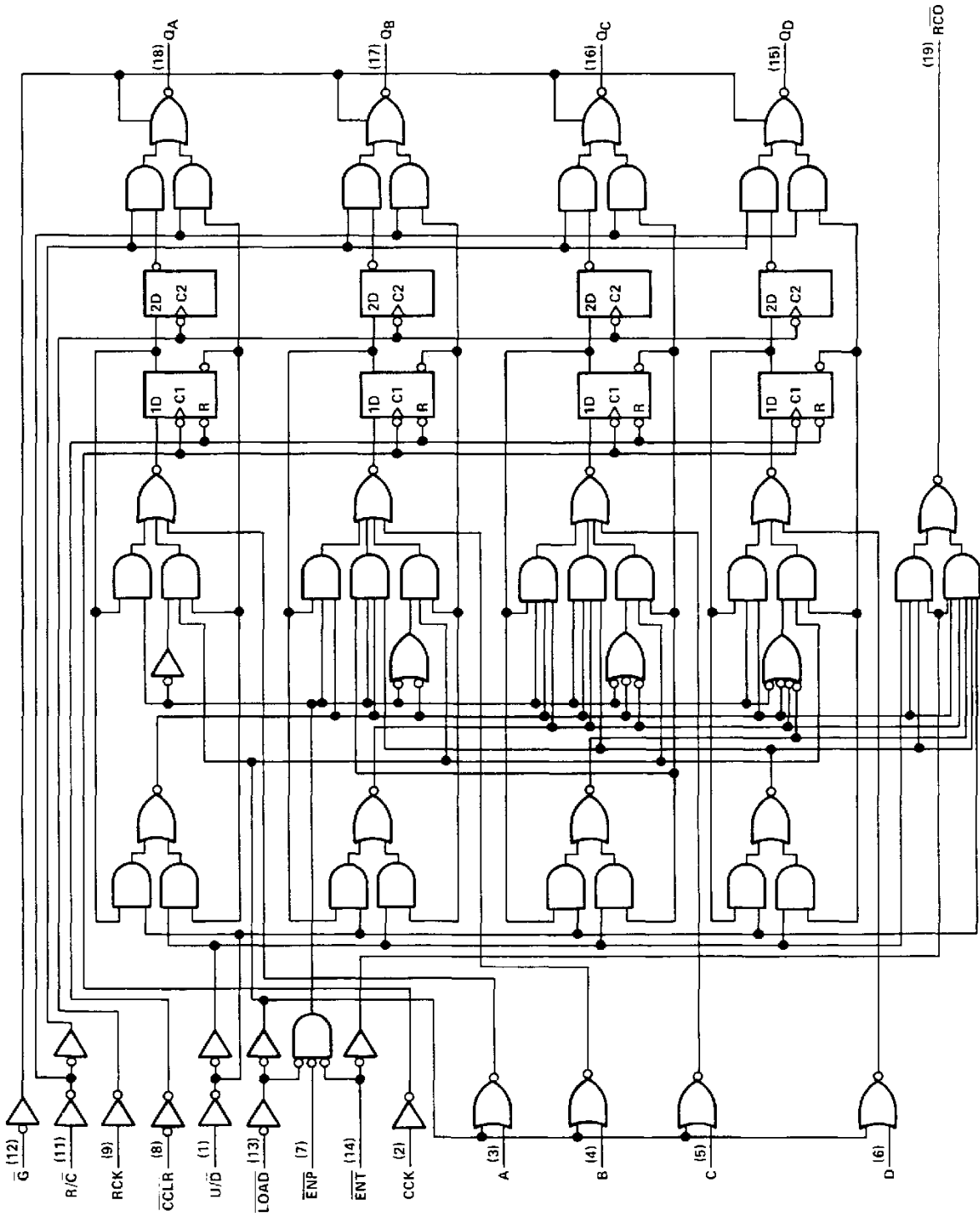
logic symbols†



†These symbols are in accordance with ANSI/IEEE Std. 91-1984 and IEC Publication 617-12.

SN54LS696, SN74LS696
SYNCHRONOUS UP/DOWN COUNTERS
WITH OUTPUT REGISTERS AND MULTIPLEXED 3-STATE OUTPUTS

logic diagrams (positive logic)

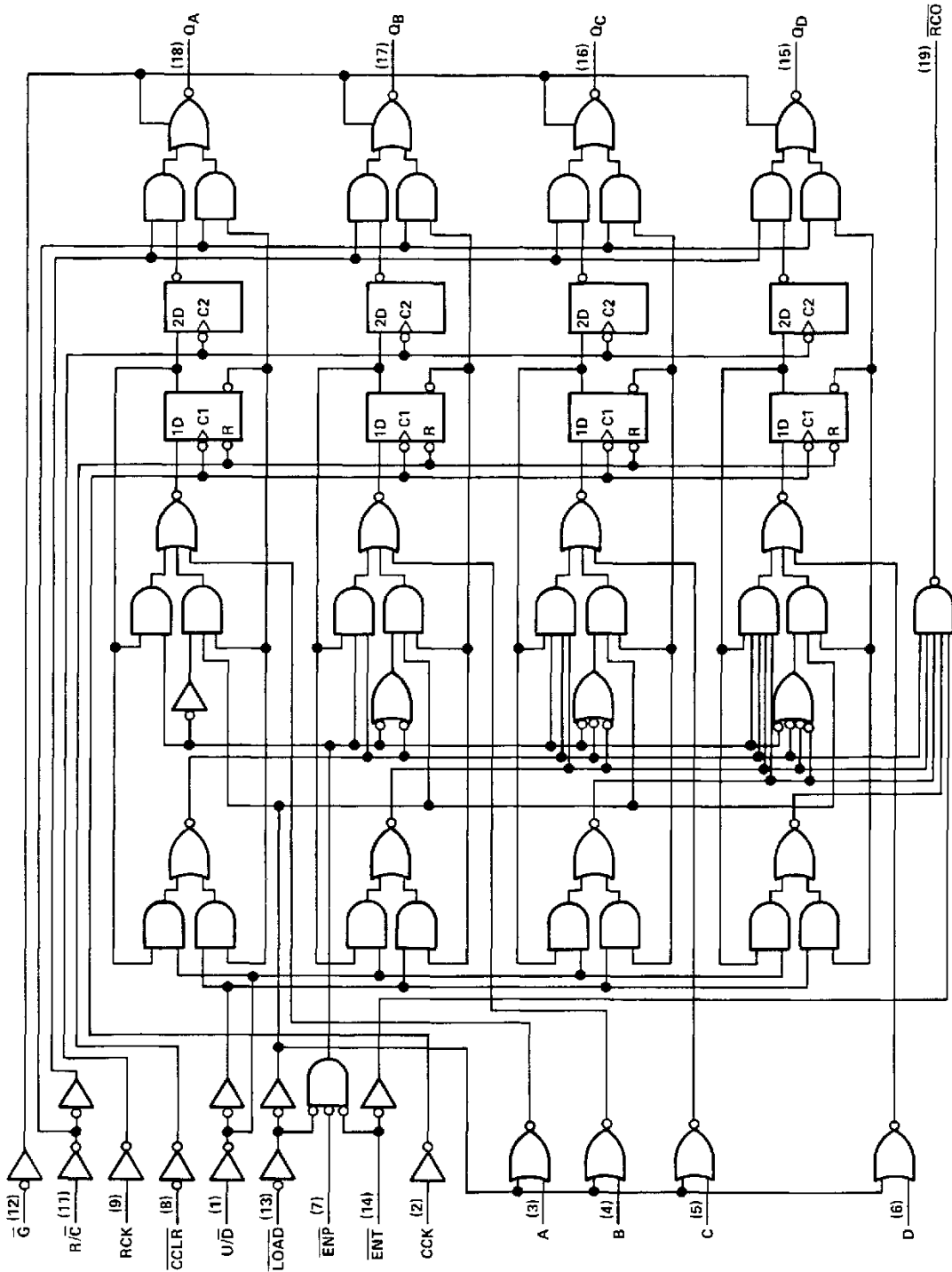


TEXAS 
INSTRUMENTS

POST OFFICE BOX 655012 • DALLAS, TEXAS 75265

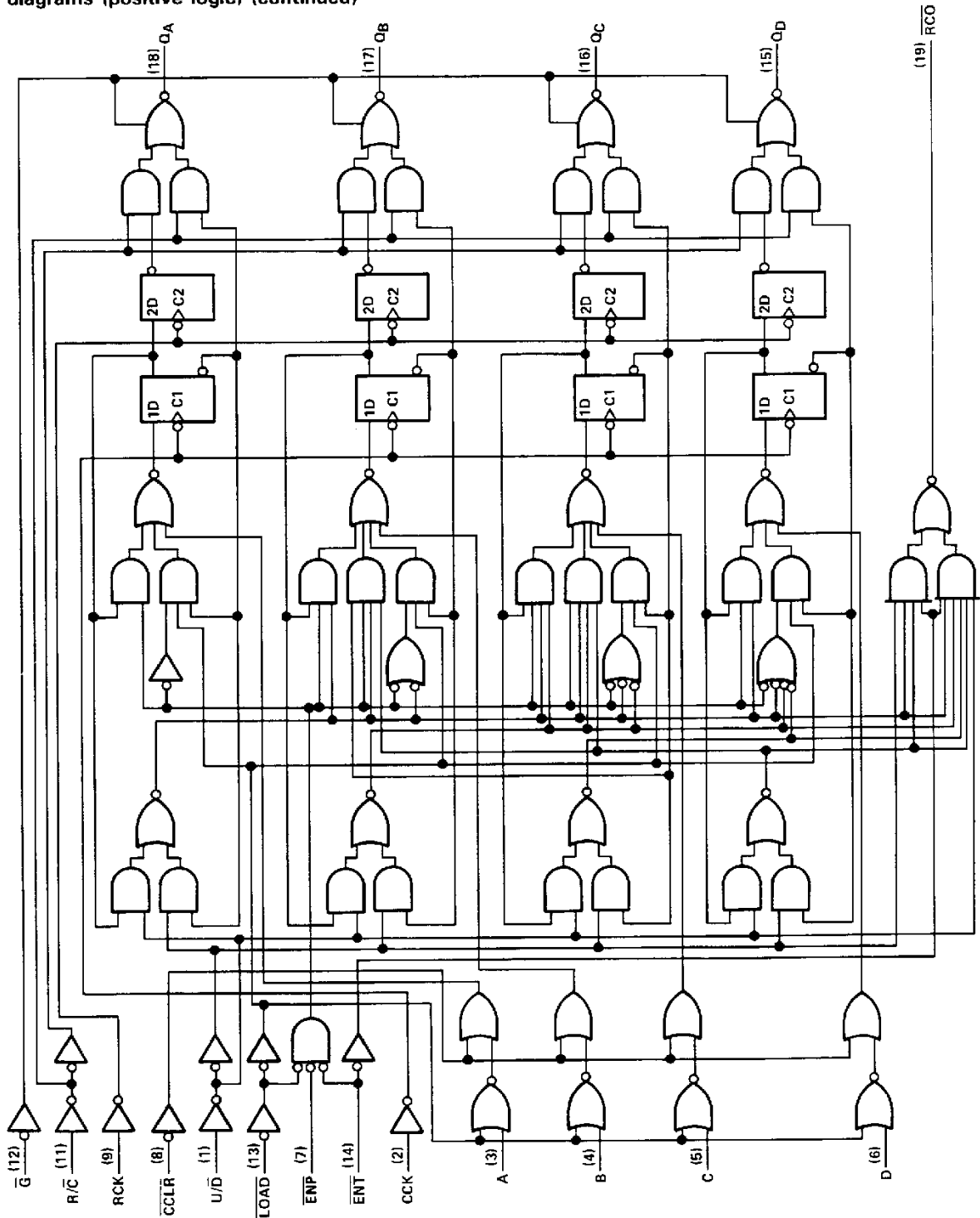
**SN54LS697, SN74LS697
 SYNCHRONOUS UP/DOWN COUNTERS
 WITH OUTPUT REGISTERS AND MULTIPLEXED 3-STATE OUTPUTS**

logic diagrams (positive logic) (continued)



SN54LS698, SN74LS698
SYNCHRONOUS UP/DOWN COUNTERS
WITH OUTPUT REGISTERS AND MULTIPLEXED 3-STATE OUTPUTS

logic diagrams (positive logic) (continued)

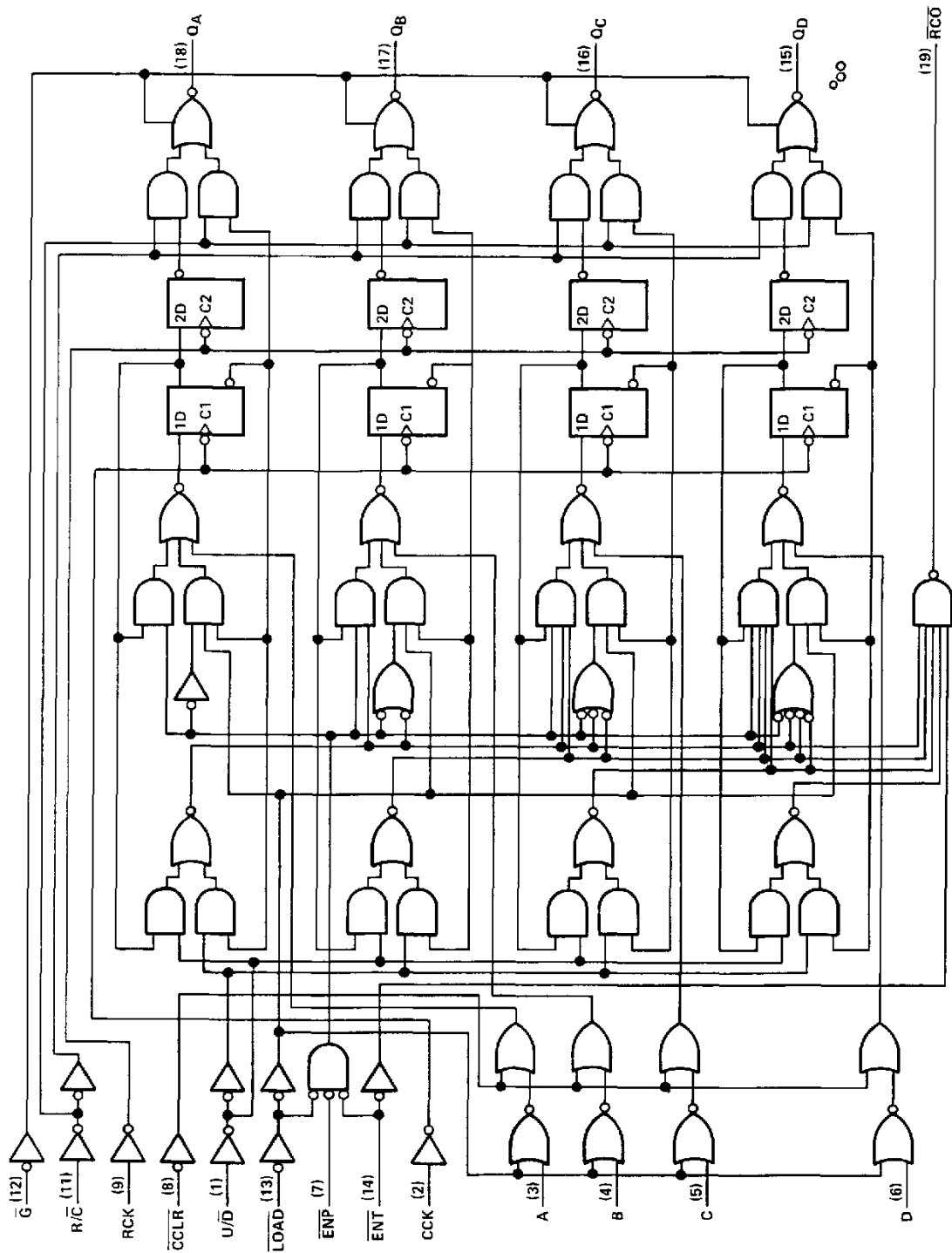


TEXAS
INSTRUMENTS

POST OFFICE BOX 655012 • DALLAS, TEXAS 75265

SN54LS699, SN74LS699
SYNCHRONOUS UP/DOWN COUNTERS
WITH OUTPUT REGISTERS AND MULTIPLEXED 3-STATE OUTPUTS

logic diagrams (positive logic) (continued)



TEXAS 
INSTRUMENTS

POST OFFICE BOX 655012 • DALLAS, TEXAS 75265

SN54LS696, SN54LS697, SN54LS699, SN74LS696, SN74LS697, SN74LS699
SYNCHRONOUS UP/DOWN COUNTERS
WITH OUTPUT REGISTERS AND MULTIPLEXED 3-STATE OUTPUTS

absolute maximum ratings over operating free-air temperature range (unless otherwise noted)

Supply voltage, V_{CC} (see Note 1)	7 V
Input voltage	7 V
Off-state output voltage	5.5 V
Operating free-air temperature range: SN54LS696, SN54LS697, SN54LS699	-55°C to 125°C
SN74LS696, SN74LS697, SN74LS699	0°C to 70°C
Storage temperature range	-65°C to 150°C

NOTE 1: Voltage values are with respect to network ground terminals.

recommended operating conditions

		SN54LS'			SN74LS'			UNIT
		MIN	NOM	MAX	MIN	NOM	MAX	
V_{CC}	Supply voltage	4.5	5	5.5	4.75	5	5.25	V
I_{OH}	High-level output current	Q		-1			-2.6	mA
		\overline{RCO}		-0.4			-0.4	
I_{OL}	Low-level output current	Q		12			24	mA
		\overline{RCO}		4			8	
f_{clock}	Clock frequency	CCK	0	20	0		20	MHz
		RCK	0	20	0		20	
t_w	Pulse duration	CCK high or low		25			25	ns
		RCK high or low		25			25	
		'LS696, 'LS697, CCLR low		20			20	
t_{su}	Setup time before CCK ↑	A thru D		30			30	ns
		\overline{ENP} or \overline{ENT}		30			30	
		LOAD		30			30	
		U/ \overline{D}		35			35	
		'LS696, 'LS697, CCLR inactive		25			25	
	'LS699, CCLR		30			30		
t_{su}	Setup time CCK ↑ before RCK ↑ (see Note 2)		30			30	ns	
t_h	Hold time		0			0	ns	
T_A	Operating free-air temperature	-55		125	0		70	°C

NOTE 2: This set up time ensures the register will see stable data from the counter outputs. The clocks may be tied together in which case the register state will be one clock pulse behind the counter.



SN54LS696, SN54LS697, SN54LS699, SN74LS696, SN74LS697, SN74LS699
SYNCHRONOUS UP/DOWN COUNTERS
WITH OUTPUT REGISTERS AND MULTIPLEXED 3-STATE OUTPUTS

electrical characteristics over recommended operating free-air temperature range (unless otherwise noted)

PARAMETER	TEST CONDITIONS†	SN54LS'		SN74LS'		UNIT		
		MIN	TYP‡	MAX	MIN		TYP‡	MAX
V _{IH} High-level input voltage		2		2		V		
V _{IL} Low-level input voltage				0.7		0.8		
V _{IK} Input clamp voltage	V _{CC} =MIN, I _I =-18 mA			-1.5		-1.5		
V _{OH} High-level output voltage	Any Q	V _{CC} =MIN, V _{IH} =2 V, V _{IL} =V _{IL} max	I _{OH} =-1 mA	2.4	3.1			
	Any Q		I _{OH} =-2.6 mA			2.4	3.1	
	R $\overline{C\overline{O}}$		I _{OH} =-400 μ A	2.5	3.2	2.7	3.2	
V _{OL} Low-level output voltage	Any Q	V _{CC} =MIN, V _{IH} =2 V, V _{IL} =V _{IL} max	I _{OL} =12 mA		0.25	0.4	0.25	0.4
	Any Q		I _{OL} =24 mA				0.35	0.5
	R $\overline{C\overline{O}}$		I _{OL} =4 mA		0.25	0.4	0.25	0.4
	R $\overline{C\overline{O}}$		I _{OL} =8 mA				0.35	0.5
I _{OZH} Off-state output current, high-level voltage applied	Any Q	V _{CC} =MAX, \overline{G} at 2 V, V _O =2.7 V			20		20	μ A
I _{OZL} Off-state output current, low-level voltage applied	Any Q	V _{CC} =MAX, \overline{G} at 2 V, V _O =0.4 V			-20		-20	μ A
I _I Input current at maximum input voltage		V _{CC} =MAX, V _I =7 V			0.1		0.1	mA
I _{IH} High-level input current		V _{CC} =MAX, V _I =2.7 V			20		20	μ A
I _{IL} Low-level input current	A thru D	V _{CC} =MAX, V _I =0.4 V			-0.4		-0.4	mA
	All others				-0.2		-0.2	
I _{OS} Short-circuit output current §	Any Q	V _{CC} =MAX, V _O =0 V			-30		-130	mA
	R $\overline{C\overline{O}}$				-20		-100	
I _{CCH} Supply current, outputs high		V _{CC} =MAX, All outputs open	See Note 3	46	65	46	65	mA
I _{CCL} Supply current, outputs low			See Note 4	48	70	48	70	
I _{CCZ} Supply current, outputs off			See Note 5	48	70	48	70	

† For conditions shown as MIN or MAX, use the appropriate value specified under recommended operating conditions.

‡ All typical values are at V_{CC} = 5 V, T_A = 25°C.

§ Only one output should be shorted at a time, and duration of the short-circuit should not exceed one second.

NOTES: 3. I_{CCH} is measured after two 4.5 V to 0 V to 4.5 V pulses have been applied to CCK and RCK while \overline{G} is grounded and all other inputs are at 4.5 V.

4. I_{CCL} is measured after two 0 V to 4.5 V to 0 V pulses have been applied to CCK and RCK while all other inputs are grounded.

5. I_{CCZ} is measured after two 0 V to 4.5 V to 0 V pulses have been applied to CCK and RCK while \overline{G} is at 4.5 V and all other inputs are grounded.

switching characteristics, V_{CC} = 5 V, T_A = 25°C (see note 6)

PARAMETER	FROM (INPUT)	TO (OUTPUT)	TEST CONDITIONS	'LS696, 'LS697		'LS699		UNIT	
				MIN	TYP	MAX	MIN		TYP
t _{PLH}	CCK↑	$\overline{R\overline{C\overline{O}}}$	R _L = 2 k Ω , C _L = 15 pF		23	40	23	40	ns
t _{PHL}					23	40	23	40	
t _{PLH}	\overline{ENT}	$\overline{R\overline{C\overline{O}}}$			13	20	13	20	ns
t _{PHL}					13	20	13	20	
t _{PLH}	CCK↑	Q			12	20	12	20	ns
t _{PHL}					17	25	17	25	
t _{PLH}	RCK↑	Q			12	20	12	20	ns
t _{PHL}					17	25	17	25	
t _{PHL}	$\overline{C\overline{C\overline{L\overline{R}}}}$ ↓	Q		23	40			ns	
t _{PLH}	R/ \overline{C}	Q	R _L = 667 Ω , C _L = 45 pF		16	25	16	25	ns
t _{PHL}					16	25	16	25	
t _{PZH}	\overline{G} ↓	Q			19	30	19	30	ns
t _{PZL}					19	30	19	30	
t _{PHZ}	\overline{G} ↑	Q			17	30	17	30	ns
t _{PLZ}					17	30	17	30	

NOTE 6: Load circuits and voltage waveforms are shown in Section 1.

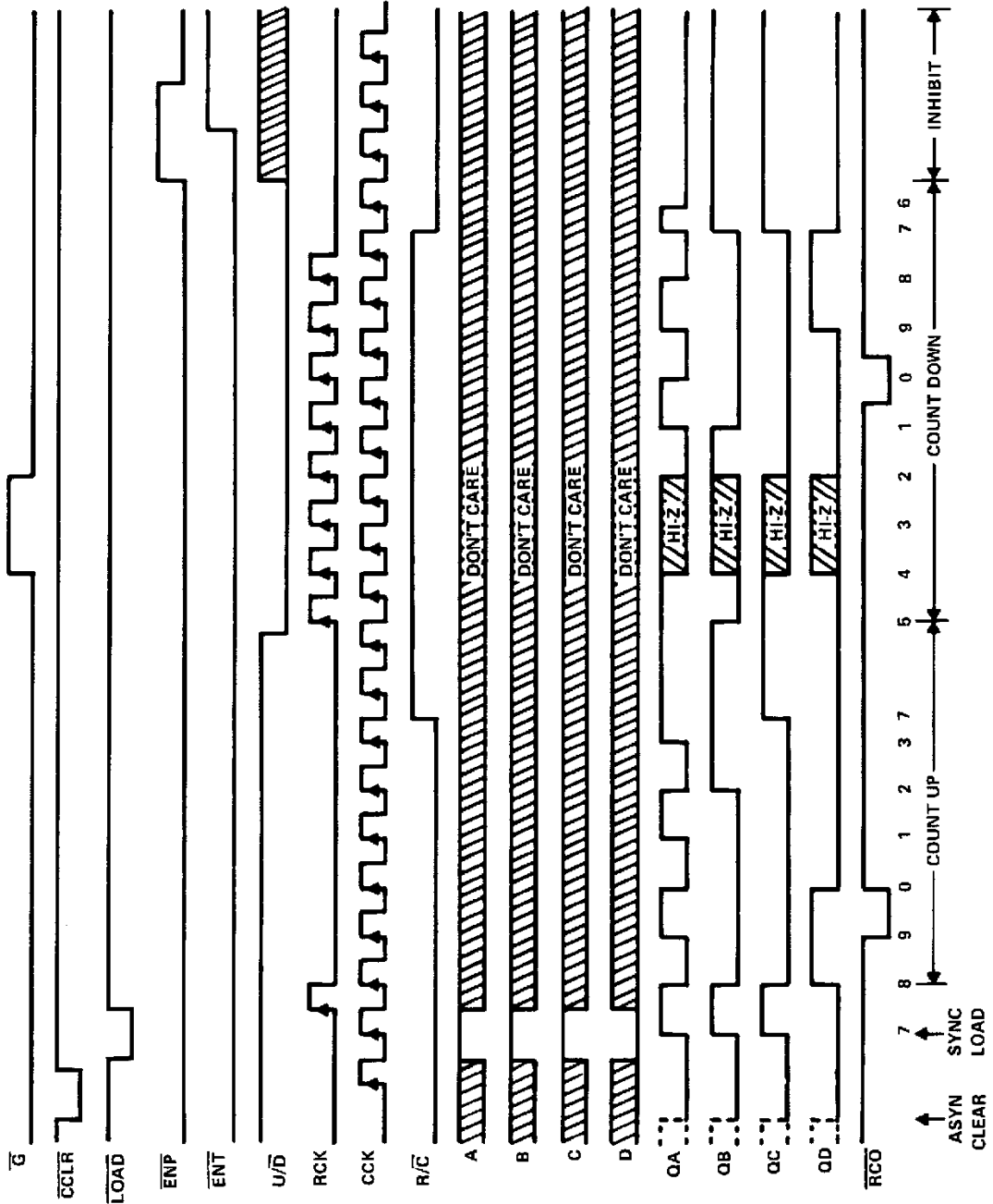
TEXAS
INSTRUMENTS

POST OFFICE BOX 655012 • DALLAS, TEXAS 75265

SN54LS696, SN74LS696
SYNCHRONOUS UP/DOWN COUNTERS
WITH OUTPUT REGISTERS AND MULTIPLEXED 3-STATE OUTPUTS

typical operating sequences

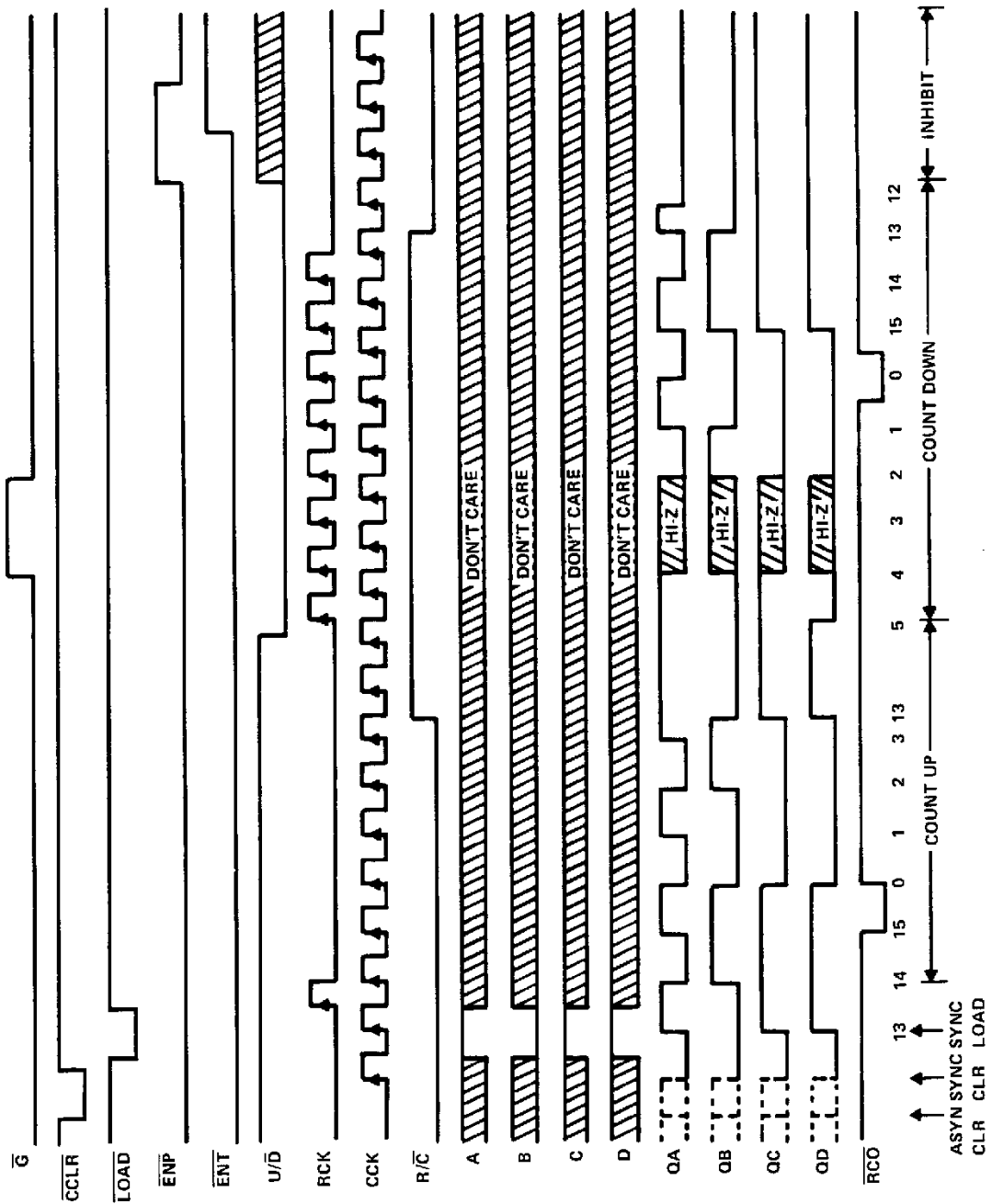
'LS696 DECADE COUNTER, Asynchronous Clear



SN54LS697, SN54LS699, SN74LS697, SN74LS699
SYNCHRONOUS UP/DOWN COUNTERS
WITH OUTPUT REGISTERS AND MULTIPLEXED 3-STATE OUTPUTS

typical operating sequences (continued)

'LS697 BINARY COUNTER, Asynchronous Clear
 'LS699 BINARY COUNTER, Synchronous Clear



IMPORTANT NOTICE

Texas Instruments and its subsidiaries (TI) reserve the right to make changes to their products or to discontinue any product or service without notice, and advise customers to obtain the latest version of relevant information to verify, before placing orders, that information being relied on is current and complete. All products are sold subject to the terms and conditions of sale supplied at the time of order acknowledgement, including those pertaining to warranty, patent infringement, and limitation of liability.

TI warrants performance of its semiconductor products to the specifications applicable at the time of sale in accordance with TI's standard warranty. Testing and other quality control techniques are utilized to the extent TI deems necessary to support this warranty. Specific testing of all parameters of each device is not necessarily performed, except those mandated by government requirements.

CERTAIN APPLICATIONS USING SEMICONDUCTOR PRODUCTS MAY INVOLVE POTENTIAL RISKS OF DEATH, PERSONAL INJURY, OR SEVERE PROPERTY OR ENVIRONMENTAL DAMAGE ("CRITICAL APPLICATIONS"). TI SEMICONDUCTOR PRODUCTS ARE NOT DESIGNED, AUTHORIZED, OR WARRANTED TO BE SUITABLE FOR USE IN LIFE-SUPPORT DEVICES OR SYSTEMS OR OTHER CRITICAL APPLICATIONS. INCLUSION OF TI PRODUCTS IN SUCH APPLICATIONS IS UNDERSTOOD TO BE FULLY AT THE CUSTOMER'S RISK.

In order to minimize risks associated with the customer's applications, adequate design and operating safeguards must be provided by the customer to minimize inherent or procedural hazards.

TI assumes no liability for applications assistance or customer product design. TI does not warrant or represent that any license, either express or implied, is granted under any patent right, copyright, mask work right, or other intellectual property right of TI covering or relating to any combination, machine, or process in which such semiconductor products or services might be or are used. TI's publication of information regarding any third party's products or services does not constitute TI's approval, warranty or endorsement thereof.