

- PCI Power Management Compliant
- ACPI 1.0 Compliant
- Supports PCI Local Bus Specification 2.1 and PCI-to-PCI Bridge Specification 1.0
- 3.3-V Core Logic With Universal PCI Interfaces Compatible With 3.3-V and 5-V PCI Signaling Environments
- Supports Two 32-Bit, 33-MHz PCI Buses
- Provides Internal Arbitration for Up to Six Secondary Bus Masters With Programmable Control
- Provides Six Secondary PCI Bus Clock Outputs
- Supports Burst Transfers to Maximize Data Throughput on Both PCI Buses
- Provides Two Extension Windows
- EEPROM Interface for Loading Texas Instruments (TI™) Subsystem ID and Subsystem Vendor ID
- Four Primary and Four Secondary General-Purpose I/Os
- Secondary Positive Decode
- Independent Read and Write Buffers for Each Direction
- Predictable Latency: Compliant With PCI Local Bus Specification 2.1
- External Arbiter Option
- Provides Concurrent Operation
- Serial IRQ Bridging
- Propagates Bus Locking
- Supports PCI Clock Run
- Secondary Bus Driven Low During Reset
- Docking Connect Detects
- PCI Local Bus Specification 2.0-Compliant Device Optimization
- Advanced Submicron, Low-Power CMOS Technology
- Provides VGA/Palette Memory and I/O, and Subtractive Decoding Options
- Packaged in 176-Pin Plastic Quad Flatpack

Table of Contents

| | | | |
|--|----|--|----|
| Description | 2 | Extension Registers | 38 |
| Functional Block Diagram | 2 | Absolute Maximum Ratings | 65 |
| Terminal Assignments | 3 | Recommended Operating Conditions | 65 |
| Signal Name/Terminal Number Sort Table | 4 | Recommended Operating Conditions for PCI Interface | 65 |
| Terminal Functions | 5 | Electrical Characteristics | 66 |
| Architecture | 10 | PCI Clock/Reset Timing Requirements | 66 |
| Introduction to the PCI2031 | 10 | PCI Timing Requirements | 66 |
| PCI Commands | 12 | Parameter Measurement Information | 67 |
| Typical Applications | 21 | PCI Bus Parameter Measurement Information | 68 |
| Bridge Configuration Header | 22 | Mechanical Data | 69 |



Please be aware that an important notice concerning availability, standard warranty, and use in critical applications of Texas Instruments semiconductor products and disclaimers thereto appears at the end of this data sheet.



TI is a trademark of Texas Instruments Incorporated.

PRODUCTION DATA information is current as of publication date. Products conform to specifications per the terms of Texas Instruments standard warranty. Production processing does not necessarily include testing of all parameters.



POST OFFICE BOX 655303 • DALLAS, TEXAS 75265

Copyright © 1998, Texas Instruments Incorporated

PCI2031 PCI-TO-PCI BRIDGE

SCPS017A – DECEMBER 1997 – REVISED JANUARY 1998

description

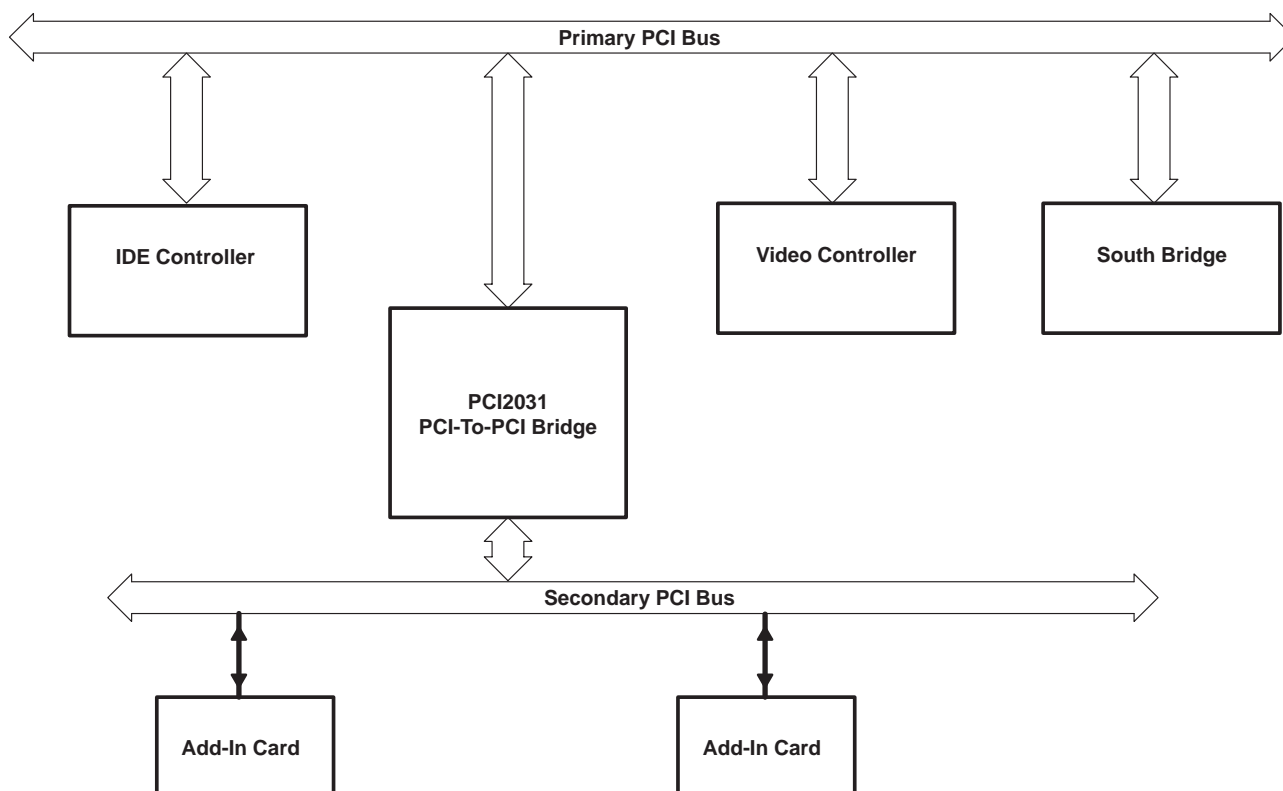
The TI PCI2031 PCI-to-PCI bridge provides a high-performance connection path between two peripheral component interconnect (PCI) buses. Transactions can occur between a master on one PCI bus and a target on another PCI bus. The bridge supports burst-mode transfers to maximize data throughput, and the two bus traffic paths through the bridge act independently.

The PCI2031 bridge is compliant with the PCI Local Bus Specification 2.1, and can be used to overcome the electrical loading limit of ten devices per PCI bus by creating hierarchical buses. Furthermore, add-in cards requiring multiple PCI devices can use the bridge to overcome the electrical loading limit of one PCI device per slot.

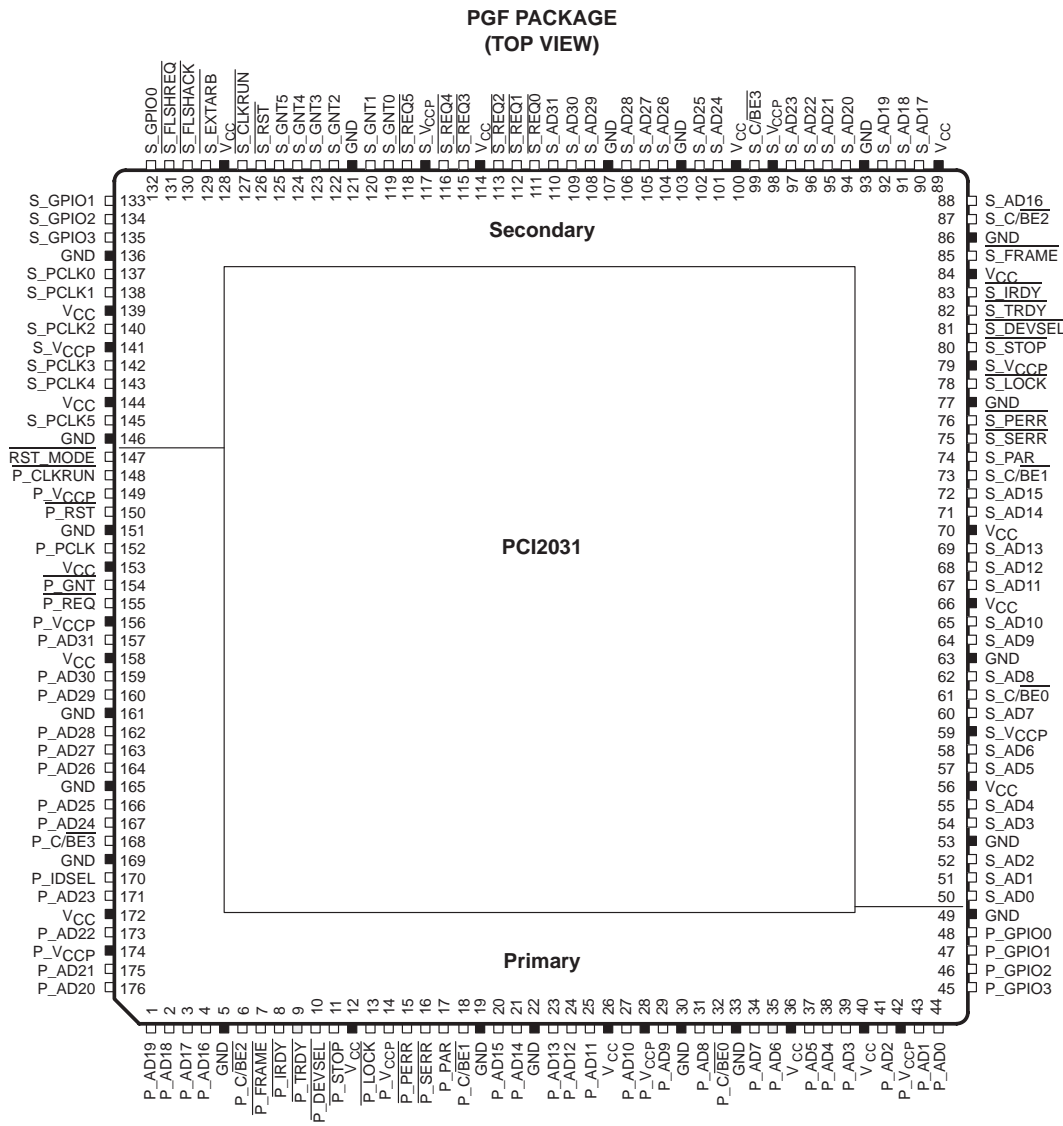
The PCI2031 bridge is also compliant with the PCI-to-PCI Bridge Specification 1.0, and implements many additional features that make it an ideal solution for bridging two PCI buses. It can be configured for subtractive decoding, and negative decoding can be disabled on the secondary interface. Two extension windows are also included for special decoding purposes. The serial- and parallel-port addresses can also be programmed for positive decoding on the primary interface. The bridge implements many other features, listed above, that add performance and flexibility.

An advanced CMOS process is utilized to achieve low system-power consumption while operating at PCI clock rates up to 33 MHz.

system block diagram



terminal assignments



PCI2031 PCI-TO-PCI BRIDGE

SCPS017A – DECEMBER 1997 – REVISED JANUARY 1998

Table 1. Signal Names Sorted by Terminal Number

| NO. | SIGNAL NAME | NO. | SIGNAL NAME | NO. | SIGNAL NAME | NO. | SIGNAL NAME |
|-----|-------------|-----|-------------|-----|-------------|-----|-------------|
| 1 | P_AD19 | 45 | P_GPIO3 | 89 | VCC | 133 | S_GPIO1 |
| 2 | P_AD18 | 46 | P_GPIO2 | 90 | S_AD17 | 134 | S_GPIO2 |
| 3 | P_AD17 | 47 | P_GPIO1 | 91 | S_AD18 | 135 | S_GPIO3 |
| 4 | P_AD16 | 48 | P_GPIO0 | 92 | S_AD19 | 136 | GND |
| 5 | GND | 49 | GND | 93 | GND | 137 | S_PCLK0 |
| 6 | P_C/BE2 | 50 | S_AD0 | 94 | S_AD20 | 138 | S_PCLK1 |
| 7 | P_FRAME | 51 | S_AD1 | 95 | S_AD21 | 139 | VCC |
| 8 | P_IRDY | 52 | S_AD2 | 96 | S_AD22 | 140 | S_PCLK2 |
| 9 | P_TRDY | 53 | GND | 97 | S_AD23 | 141 | S_VCCP |
| 10 | P_DEVSEL | 54 | S_AD3 | 98 | S_VCCP | 142 | S_PCLK3 |
| 11 | P_STOP | 55 | S_AD4 | 99 | S_C/BE3 | 143 | S_PCLK4 |
| 12 | VCC | 56 | VCC | 100 | VCC | 144 | VCC |
| 13 | P_LOCK | 57 | S_AD5 | 101 | S_AD24 | 145 | S_PCLK5 |
| 14 | P_VCCP | 58 | S_AD6 | 102 | S_AD25 | 146 | GND |
| 15 | P_PERR | 59 | S_VCCP | 103 | GND | 147 | RST_MODE |
| 16 | P_SERR | 60 | S_AD7 | 104 | S_AD26 | 148 | P_CLKRUN |
| 17 | P_PAR | 61 | S_C/BE0 | 105 | S_AD27 | 149 | P_VCCP |
| 18 | P_C/BE1 | 62 | S_AD8 | 106 | S_AD28 | 150 | P_RST |
| 19 | GND | 63 | GND | 107 | GND | 151 | GND |
| 20 | P_AD15 | 64 | S_AD9 | 108 | S_AD29 | 152 | P_PCLK |
| 21 | P_AD14 | 65 | S_AD10 | 109 | S_AD30 | 153 | VCC |
| 22 | GND | 66 | VCC | 110 | S_AD31 | 154 | P_GNT |
| 23 | P_AD13 | 67 | S_AD11 | 111 | S_REQ0 | 155 | P_REQ |
| 24 | P_AD12 | 68 | S_AD12 | 112 | S_REQ1 | 156 | P_VCCP |
| 25 | P_AD11 | 69 | S_AD13 | 113 | S_REQ2 | 157 | P_AD31 |
| 26 | VCC | 70 | VCC | 114 | VCC | 158 | VCC |
| 27 | P_AD10 | 71 | S_AD14 | 115 | S_REQ3 | 159 | P_AD30 |
| 28 | P_VCCP | 72 | S_AD15 | 116 | S_REQ4 | 160 | P_AD29 |
| 29 | P_AD9 | 73 | S_C/BE1 | 117 | S_VCCP | 161 | GND |
| 30 | GND | 74 | S_PAR | 118 | S_REQ5 | 162 | P_AD28 |
| 31 | P_AD8 | 75 | S_SERR | 119 | S_GNT0 | 163 | P_AD27 |
| 32 | P_C/BE0 | 76 | S_PERR | 120 | S_GNT1 | 164 | P_AD26 |
| 33 | GND | 77 | GND | 121 | GND | 165 | GND |
| 34 | P_AD7 | 78 | S_LOCK | 122 | S_GNT2 | 166 | P_AD25 |
| 35 | P_AD6 | 79 | S_VCCP | 123 | S_GNT3 | 167 | P_AD24 |
| 36 | VCC | 80 | S_STOP | 124 | S_GNT4 | 168 | P_C/BE3 |
| 37 | P_AD5 | 81 | S_DEVSEL | 125 | S_GNT5 | 169 | GND |
| 38 | P_AD4 | 82 | S_TRDY | 126 | S_RST | 170 | P_IDSEL |
| 39 | P_AD3 | 83 | S_IRDY | 127 | S_CLKRUN | 171 | P_AD23 |
| 40 | VCC | 84 | VCC | 128 | VCC | 172 | VCC |
| 41 | P_AD2 | 85 | S_FRAME | 129 | S_EXTARB | 173 | P_AD22 |
| 42 | P_VCCP | 86 | GND | 130 | S_FLSHACK | 174 | P_VCCP |
| 43 | P_AD1 | 87 | S_C/BE2 | 131 | S_FLSHREQ | 175 | P_AD21 |
| 44 | P_AD00 | 88 | S_AD16 | 132 | S_GPIO0 | 176 | P_AD20 |



POST OFFICE BOX 655303 • DALLAS, TEXAS 75265

Terminal Functions

primary PCI system

| TERMINAL NAME | NO. | I/O TYPE | FUNCTION |
|----------------------------|-----|-------------|---|
| P_CLK | 152 | I | Primary PCI bus clock. P_CLK provides timing for all transactions on the primary PCI bus. All primary PCI signals are sampled at rising edge of P_CLK. |
| $\overline{\text{P_RST}}$ | 150 | I | PCI reset. When the primary PCI bus reset is asserted, $\overline{\text{P_RST}}$ causes the bridge to 3-state all output buffers and reset all internal registers. When asserted, the device is completely nonfunctional. During $\overline{\text{P_RST}}$, the secondary interface is driven low. After $\overline{\text{P_RST}}$ is deasserted, the bridge is in its default state. |

primary PCI address and data

| TERMINAL NAME | NO. | I/O TYPE | FUNCTION |
|-------------------------------|-----|-------------|---|
| P_AD31 | 157 | I/O | Primary address/data bus. These signals make up the multiplexed PCI address and data bus on the primary interface. During the address phase of a primary bus PCI cycle, P_AD31–P_AD0 contain a 32-bit address or other destination information. During the data phase, P_AD31–P_AD0 contain data. |
| P_AD30 | 159 | | |
| P_AD29 | 160 | | |
| P_AD28 | 162 | | |
| P_AD27 | 163 | | |
| P_AD26 | 164 | | |
| P_AD25 | 166 | | |
| P_AD24 | 167 | | |
| P_AD23 | 171 | | |
| P_AD22 | 173 | | |
| P_AD21 | 175 | | |
| P_AD20 | 176 | | |
| P_AD19 | 1 | | |
| P_AD18 | 2 | | |
| P_AD17 | 3 | | |
| P_AD16 | 4 | | |
| P_AD15 | 20 | | |
| P_AD14 | 21 | | |
| P_AD13 | 23 | | |
| P_AD12 | 24 | | |
| P_AD11 | 25 | | |
| P_AD10 | 27 | | |
| P_AD9 | 29 | | |
| P_AD8 | 31 | | |
| P_AD7 | 34 | | |
| P_AD6 | 35 | | |
| P_AD5 | 37 | | |
| P_AD4 | 38 | | |
| P_AD3 | 39 | | |
| P_AD2 | 41 | | |
| P_AD1 | 43 | | |
| P_AD0 | 44 | | |
| $\overline{\text{P_C/BE3}}$ | 168 | I/O | Primary bus commands and byte enables. These signals are multiplexed on the same PCI terminals. During the address phase of a primary bus PCI cycle, $\overline{\text{P_C/BE3}}$ – $\overline{\text{P_C/BE0}}$ define the bus command. During the data phase, this 4-bit bus is used as byte enables. The byte enables determine which byte paths of the full 32-bit data bus carry meaningful data. $\overline{\text{P_C/BE0}}$ applies to byte 0 (P_AD7–P_AD0), $\overline{\text{P_C/BE1}}$ applies to byte 1 (P_AD15–P_AD8), $\overline{\text{P_C/BE2}}$ applies to byte 2 (P_AD23–P_AD16), and $\overline{\text{P_C/BE3}}$ applies to byte 3 (P_AD31–P_AD24). |
| $\overline{\text{P_C/BE2}}$ | 6 | | |
| $\overline{\text{P_C/BE1}}$ | 18 | | |
| $\overline{\text{P_C/BE0}}$ | 32 | | |
| $\overline{\text{P_CLKRUN}}$ | 148 | I/O | Primary PCI bus clock run. $\overline{\text{P_CLKRUN}}$ is used by the central resource to request permission to stop the PCI clock or to slow it down. |

PCI2031 PCI-TO-PCI BRIDGE

SCPS017A – DECEMBER 1997 – REVISED JANUARY 1998

Terminal Functions (Continued)

primary PCI interface control

| TERMINAL NAME | NO. | I/O TYPE | FUNCTION |
|--|----------------------|----------|--|
| $\overline{P_DEVSEL}$ | 10 | I/O | Primary device select. The bridge asserts $\overline{P_DEVSEL}$ to claim a PCI cycle as the target device. As a PCI initiator on the primary bus, the bridge monitors $\overline{P_DEVSEL}$ until a target responds. If no target responds before time-out occurs, then the bridge terminates the cycle with an initiator abort. |
| $\overline{P_FRAME}$ | 7 | I/O | Primary cycle frame. $\overline{P_FRAME}$ is driven by the initiator of a primary bus cycle. $\overline{P_FRAME}$ is asserted to indicate that a bus transaction is beginning, and data transfers continue while this signal is asserted. When $\overline{P_FRAME}$ is deasserted, the primary bus transaction is in the final data phase. |
| $\overline{P_GNT}$ | 154 | I | Primary bus grant to bridge. $\overline{P_GNT}$ is driven by the primary PCI bus arbiter to grant the bridge access to the primary PCI bus after the current data transaction has completed. $\overline{P_GNT}$ may or may not follow a primary bus request, depending on the primary bus parking algorithm. |
| P_GPIO0 P_GPIO1 P_GPIO2 P_GPIO3 | 48 47 46 45 | I/O | Primary bus general-purpose I/O terminals. These terminals are provided for general input/output use in system design. |
| P_IDSEL | 170 | I | Initialization device select. P_IDSEL selects the bridge during configuration space accesses. P_IDSEL can be connected to one of the upper 24 PCI address lines on the primary PCI bus. Note: There is no IDSEL signal interfacing the secondary PCI bus; thus, the entire configuration space of the bridge can only be accessed from the primary bus. |
| $\overline{P_IRDY}$ | 8 | I/O | Primary initiator ready. $\overline{P_IRDY}$ indicates the primary bus initiator's ability to complete the current data phase of the transaction. A data phase is completed on a rising edge of P_CLK where both $\overline{P_IRDY}$ and $\overline{P_TRDY}$ are asserted. Until $\overline{P_IRDY}$ and $\overline{P_TRDY}$ are both sampled asserted, wait states are inserted. |
| $\overline{P_LOCK}$ | 13 | I/O | Primary PCI bus lock. $\overline{P_LOCK}$ is used to lock the primary bus and gain exclusive access as an initiator. |
| P_PAR | 17 | I/O | Primary parity. In all primary bus read and write cycles, the bridge calculates even parity across the P_AD and P_C/BE buses. As an initiator during PCI write cycles, the bridge outputs this parity indicator with a one-P_CLK delay. As a target during PCI read cycles, the calculated parity is compared to the initiator's parity indicator; a misdemeanor can result in a parity error assertion (P_PERR). |
| $\overline{P_PERR}$ | 15 | I/O | Primary parity error indicator. $\overline{P_PERR}$ is driven by a primary bus PCI device to indicate that calculated parity does not match P_PAR when $\overline{P_PERR}$ is enabled through bit 6 of the command register. |
| $\overline{P_REQ}$ | 155 | O | Primary PCI bus request. $\overline{P_REQ}$ is asserted by the bridge to request access to the primary PCI bus as an initiator. |
| $\overline{P_SERR}$ | 16 | O | Primary system error. Output pulsed from the bridge when enabled through the command register indicating a system error has occurred. The bridge need not be the target of the primary PCI cycle to assert $\overline{P_SERR}$. When bit 6 is enabled in the bridge control register, $\overline{P_SERR}$ pulses, indicating that a system error has occurred on one of the subordinate buses downstream from the bridge. |
| $\overline{P_STOP}$ | 11 | I/O | Primary cycle stop signal. $\overline{P_STOP}$ is driven by a PCI target to request the initiator to stop the current primary bus transaction. $\overline{P_STOP}$ is used for target disconnects and is commonly asserted by target devices that do not support burst data transfers. |
| RST_MODE | 147 | I | If RST_MODE is asserted during $\overline{P_RST}$, it causes S_RST to be asserted and the secondary clocks to be turned off. |
| $\overline{P_TRDY}$ | 9 | I/O | Primary target ready. $\overline{P_TRDY}$ indicates the primary bus target's ability to complete the current data phase of the transaction. A data phase is completed on a rising edge of P_CLK where both $\overline{P_IRDY}$ and $\overline{P_TRDY}$ are asserted. Until both $\overline{P_IRDY}$ and $\overline{P_TRDY}$ are asserted, wait states are inserted. |



Terminal Functions (Continued)

secondary PCI system

| TERMINAL NAME | NO. | I/O TYPE | FUNCTION |
|--|--|-------------|--|
| S_PCLK5 S_PCLK4 S_PCLK3 S_PCLK2 S_PCLK1 S_PCLK0 | 145 143 142 140 138 137 | O | Secondary PCI bus clock. Provides timing for all transactions on the secondary PCI bus. All secondary PCI signals are sampled at the rising edge of S_CLK5–S_CLK0. |
| $\overline{\text{S_CLKRUN}}$ | 127 | I/O | Secondary PCI bus clock run. $\overline{\text{S_CLKRUN}}$ is output by the bridge to indicate that S_PCLKn is to be stopped. $\overline{\text{S_CLKRUN}}$ is driven by secondary bus PCI devices to request that S_PCLKn be stopped. |
| $\overline{\text{S_EXTARB}}$ | 129 | I | Secondary external arbiter enable. When $\overline{\text{S_EXTARB}}$ is asserted, the secondary external arbiter is enabled. When the external arbiter is enabled, $\overline{\text{S_REQ0}}$ is reconfigured as a secondary bus grant input to the bridge and $\overline{\text{S_GNT0}}$ is reconfigured as a secondary bus master request to the external arbiter on the secondary bus. |
| $\overline{\text{S_RST}}$ | 126 | O | Secondary PCI reset. $\overline{\text{S_RST}}$ is a logical OR of $\overline{\text{P_RST}}$ and the state of the secondary bus reset bit of the bridge control register. $\overline{\text{S_RST}}$ is asynchronous with respect to the state of the secondary interface CLK signal. |

PCI2031 PCI-TO-PCI BRIDGE

SCPS017A – DECEMBER 1997 – REVISED JANUARY 1998

Terminal Functions (Continued)

secondary PCI address and data

| TERMINAL NAME | NO. | I/O TYPE | FUNCTION |
|------------------|-----|-------------|---|
| S_AD31 | 110 | I/O | Secondary address/data bus. These signals make up the multiplexed PCI address and data bus on the secondary interface. During the address phase of a secondary bus PCI cycle, S_AD31–S_AD0 contain a 32-bit address or other destination information. During the data phase, S_AD31–S_AD0 contain data. |
| S_AD30 | 109 | | |
| S_AD29 | 108 | | |
| S_AD28 | 106 | | |
| S_AD27 | 105 | | |
| S_AD26 | 104 | | |
| S_AD25 | 102 | | |
| S_AD24 | 101 | | |
| S_AD23 | 97 | | |
| S_AD22 | 96 | | |
| S_AD21 | 95 | | |
| S_AD20 | 94 | | |
| S_AD19 | 92 | | |
| S_AD18 | 91 | | |
| S_AD17 | 90 | | |
| S_AD16 | 88 | | |
| S_AD15 | 72 | | |
| S_AD14 | 71 | | |
| S_AD13 | 69 | | |
| S_AD12 | 68 | | |
| S_AD11 | 67 | | |
| S_AD10 | 65 | | |
| S_AD9 | 64 | | |
| S_AD8 | 62 | | |
| S_AD7 | 60 | | |
| S_AD6 | 58 | | |
| S_AD5 | 57 | | |
| S_AD4 | 55 | | |
| S_AD3 | 54 | | |
| S_AD2 | 52 | | |
| S_AD1 | 51 | | |
| S_AD0 | 50 | | |
| S_C/BE3 | 99 | I/O | Secondary bus commands and byte enables. These signals are multiplexed on the same PCI terminals. During the address phase of a secondary bus PCI cycle, S_C/BE3–S_C/BE0 define the bus command. During the data phase, this 4-bit bus is used as byte enables. The byte enables determine which byte paths of the full 32-bit data bus carry meaningful data. S_C/BE0 applies to byte 0 (S_AD7–S_AD0), S_C/BE1 applies to byte 1 (S_AD15–S_AD8), S_C/BE2 applies to byte 2 (S_AD23–S_AD16), and S_C/BE3 applies to byte 3 (S_AD31–S_AD24). |
| S_C/BE2 | 87 | | |
| S_C/BE1 | 73 | | |
| S_C/BE0 | 61 | | |
| S_DEVSEL | 81 | I/O | Secondary device select. The bridge asserts S_DEVSEL to claim a PCI cycle as the target device. As a PCI initiator on the secondary bus, the bridge monitors S_DEVSEL until a target responds. If no target responds before timeout occurs, then the bridge terminates the cycle with an initiator abort. |
| S_FRAME | 85 | I/O | Secondary cycle frame. S_FRAME is driven by the initiator of a secondary bus cycle. S_FRAME is asserted to indicate that a bus transaction is beginning and data transfers continue while S_FRAME is asserted. When S_FRAME is deasserted, the secondary bus transaction is in the final data phase. |
| S_GNT5 | 125 | O | Secondary bus grant to the bridge. The bridge provides internal arbitration and these signals are used to grant potential secondary PCI bus masters access to the bus. Seven potential initiators (including the bridge) can be located on the secondary PCI bus. When the internal arbiter is disabled, S_GNT0 is reconfigured as an external secondary bus request signal for the bridge. |
| S_GNT4 | 124 | | |
| S_GNT3 | 123 | | |
| S_GNT2 | 122 | | |
| S_GNT1 | 120 | | |
| S_GNT0 | 119 | | |



POST OFFICE BOX 655303 • DALLAS, TEXAS 75265

Terminal Functions (Continued)

secondary PCI interface control

| TERMINAL NAME | NO. | I/O TYPE | FUNCTION |
|--|--|----------|---|
| S_GPIO0 S_GPIO1 S_GPIO2 S_GPIO3 | 132 133 134 135 | I/O | Secondary general-purpose I/O terminals. These terminals are provided for general-purpose input/output use in system design. |
| <u>S_IRDY</u> | 83 | I/O | Secondary initiator ready. <u>S_IRDY</u> indicates the secondary bus initiator's ability to complete the current data phase of the transaction. A data phase is completed on a rising edge of S_PCLKn where both <u>S_IRDY</u> and <u>S_TRDY</u> are asserted; until <u>S_IRDY</u> and <u>S_TRDY</u> are asserted, wait states are inserted. |
| <u>S_LOCK</u> | 78 | I/O | Secondary lock <u>S_LOCK</u> is used to lock the secondary bus and gain exclusive access as an initiator. |
| S_PAR | 74 | I/O | Secondary parity. In all secondary bus read and write cycles, the bridge calculates even parity across the S_AD and S_C/BE buses. As an initiator during PCI write cycles, the bridge outputs this parity indicator with a one-S_PCLKn delay. As a target during PCI read cycles, the calculated parity is compared to the initiator's parity indicator. A miscompare can result in a parity error assertion (<u>S_PERR</u>). |
| <u>S_PERR</u> | 76 | I/O | Secondary parity error indicator. <u>S_PERR</u> is driven by a secondary bus PCI device to indicate that calculated parity does not match S_PAR when enabled through the command register. |
| <u>S_REQ5</u> <u>S_REQ4</u> <u>S_REQ3</u> <u>S_REQ2</u> <u>S_REQ1</u> <u>S_REQ0</u> | 118 116 115 113 112 111 | I | Secondary PCI bus request signals. The bridge provides internal arbitration, and these signals are used as inputs from secondary PCI bus initiators requesting the bus. Seven potential initiators (including the bridge) can be located on the secondary PCI bus. |
| <u>S_REQ0</u> | 111 | | When the internal arbiter is disabled, <u>S_REQ0</u> is reconfigured as an external secondary bus grant for the bridge. |
| <u>S_SERR</u> | 75 | I | Secondary system error. <u>S_SERR</u> is passed through the primary interface by the bridge if enabled through the bridge control register. <u>S_SERR</u> is never asserted by the bridge. |
| <u>S_STOP</u> | 80 | I/O | Secondary cycle stop signal. <u>S_STOP</u> is driven by a PCI target to request the initiator to stop the current secondary bus transaction. <u>S_STOP</u> is used for target disconnects and is commonly asserted by target devices that do not support burst data transfers. |
| <u>S_TRDY</u> | 82 | I/O | Secondary target ready. <u>S_TRDY</u> indicates the secondary bus target's ability to complete the current data phase of the transaction. A data phase is completed on a rising edge of S_PCLKn where both <u>S_IRDY</u> and <u>S_TRDY</u> are asserted; until <u>S_IRDY</u> and <u>S_TRDY</u> are asserted, wait states are inserted. |
| <u>S_FLSHREQ</u> | 131 | I | Flush request. When <u>S_FLSHREQ</u> is asserted, it signals a request to the PCI2031 to suspend internal write posting. When the bridge is ready to suspend internal write posting, it responds by asserting <u>S_FLSHACK</u> . <u>S_FLSHACK</u> remains asserted until the write posting buffers are empty. |
| <u>S_FLSHACK</u> | 130 | O | Flush acknowledge. <u>S_FLSHACK</u> is asserted by the PCI2031 to indicate that the internal write posting is suspended. <u>S_FLSHACK</u> remains asserted until the write posting buffers are empty. |

power supply

| TERMINAL NAME | NO. | FUNCTION |
|---------------|--|--|
| GND | 5, 19, 22, 30, 33, 49, 53, 63, 77, 86, 93, 103, 107, 121, 136, 146, 151, 161, 165, 169 | Device ground terminals |
| VCC | 12, 26, 36, 40, 56, 66, 70, 84, 89, 100, 114, 128, 139, 144, 153, 158, 172 | Power-supply terminal for core logic (3.3 V) |
| P_VCCP | 14, 28, 42, 149, 156, 174 | Primary bus-signaling environment supply. P_VCCP is used in protection circuitry on primary bus I/O signals. |
| S_VCCP | 59, 79, 98, 117, 141 | Secondary bus-signaling environment supply. S_VCCP is used in protection circuitry on primary bus I/O signals. |



PCI2031

PCI-TO-PCI BRIDGE

SCPS017A – DECEMBER 1997 – REVISED JANUARY 1998

architecture

This section provides an overview of the PCI2031 PCI-to-PCI bridge features and functionality. Detailed descriptions of the bridge's internal registers and extension registers are also provided.

introduction to the PCI2031

The PCI2031 is a bridge between two PCI buses, and is compliant with both the PCI Local Bus Specification 2.1 and the PCI-to-PCI Bridge Specification 1.0. The bridge supports two 32-bit PCI buses operating at a maximum of 33 MHz. The primary and secondary buses operate independently in either a 3.3-V or 5-V signaling environment. The core logic of the bridge, however, is powered at 3.3 V to reduce power consumption.

Host software interacts with the bridge through internal registers. These internal registers provide the standard PCI status and control for both the primary and secondary buses. There are many vendor-specific features included in the bridge that exist in the TI extension register set. The PCI configuration header of the bridge is only accessible from the primary PCI interface.

The bridge provides internal arbitration for the six possible secondary bus masters, and provides each with a dedicated active low request/grant pair ($\overline{REQ}/\overline{GNT}$). The arbiter features a two-tier rotational scheme with the PCI2031 bridge defaulting to the highest priority tier. The bus parking scheme is also configurable and can be set to either park grant (\overline{GNT}) on the bridge or on the last mastering device.

Upon system power up, power-on self-test (POST) software configures the bridge according to the devices that exist on subordinate buses, and enables performance-enhancing features of the PCI2031. In a typical system, this is the only communication with the bridge's internal register set.

serial EEPROM interface

The PCI2031 uses a serial EEPROM interface for loading the bridge's subsystem vendor ID register and subsystem ID register from an EEPROM after a reset on the primary bus. This interface also loads the slot number register, the device mask register, and the device-type register after a primary reset. The PCI2031 can trap accesses to the subsystem vendor ID register and subsystem ID register of devices sitting on its secondary bus, based on the settings of these two registers.

While the EEPROM is loading data into the PCI2031 subsystem vendor ID register and slot number register, all configuration read accesses to these registers are retried. All configuration reads to registers 2Ch and 40h of devices (0–7) behind the bridge are also retried. The interface uses general-purpose I/O terminals S_GPIO0 for the clock and S_GPIO1 for data.

The device-type register represents up to six devices on the secondary bus of the PCI2031. Each bit in this register corresponds to one device. During the address phase of a type 1 configuration cycle, if the value of bit 0 of the device-type register is 1, it implies that the device corresponding to device number 00000 (see bits AD15–AD11 in Figure 2 on page 13) is a CardBus controller. If the value of bit 0 is 0, it indicates that the device is a standard PCI device. Bit 1 in the device-type register corresponds to device number 00001, bit 2 corresponds to device number 00010, bit 3 corresponds to device number 00011, and so on.

The device-type and device mask registers control configuration read accesses to a device's subsystem vendor ID register. See *device mask register* and *device-type register*.



The PCI2031 reads data from the serial EEPROM starting at address 00000000. The slave address of the serial EEPROM must be at 10100000 for the PCI2031 to see it. The PCI2031 then reads seven bytes of data from the EEPROM. The PCI2031 reads the data in the following order:

1. High byte of the subsystem ID
2. Low byte of the subsystem ID
3. High byte of the subsystem vendor ID.
4. Low byte of the subsystem vendor ID
5. Device mask
6. Device type
7. Slot number

The only register that is not programmed in the serial EEPROM is the chassis number register.

PCI2031

PCI-TO-PCI BRIDGE

SCPS017A – DECEMBER 1997 – REVISED JANUARY 1998

PCI commands

The bridge responds as a PCI target device to PCI bus cycles based on the decoding of each address phase and internal register settings. Table 2 lists the valid PCI bus cycles and their encoding on the command/byte enables (C/BE) bus during the address phase of a bus cycle.

Table 2. PCI Command Definition

| C/BE3–C/BE0 | COMMAND |
|-------------|-----------------------------|
| 0000 | Interrupt acknowledge |
| 0001 | Special cycle |
| 0010 | I/O read |
| 0011 | I/O write |
| 0100 | Reserved |
| 0101 | Reserved |
| 0110 | Memory read |
| 0111 | Memory write |
| 1000 | Reserved |
| 1001 | Reserved |
| 1010 | Configuration read |
| 1011 | Configuration write |
| 1100 | Memory read multiple |
| 1101 | Dual address cycle |
| 1110 | Memory read line |
| 1111 | Memory write and invalidate |

The bridge never responds as a PCI target to the interrupt acknowledge, special cycle, dual address cycle, or reserved commands. The bridge does, however, initiate special cycles on both interfaces when a type 1 configuration cycle issues the special cycle request. The remaining PCI commands address either memory, I/O, or configuration space. The bridge accepts PCI cycles by asserting DEVSEL as a medium-speed device, i.e., DEVSEL is asserted two clock cycles after the address phase.

configuration cycles

PCI Local Bus Specification 2.1 defines two types of PCI configuration read and write cycles: type 0 and type 1. The bridge decodes each type differently. Type 0 configuration cycles are intended for devices on the primary bus, while type 1 configuration cycles are intended for devices at some hierarchically subordinate bus. The difference between these two types of cycles is the encoding of the primary PCI (P_AD) bus during the address phase of the cycle. The P_AD bus encoding during the address phase of a type 0 configuration cycle is shown in Figure 1. The 6-bit register number field represents an 8-bit address with the two lower bits masked to 0, indicating a double-word boundary. This results in a 256-byte configuration address space per function per device. Individual byte accesses may be selected within a word by using the P_C/BE signals during the data phase of the cycle.

| | | | | | | | |
|----------|----|-----------------|---|-----------------|---|---|---|
| 31 | 11 | 10 | 8 | 7 | 2 | 1 | 0 |
| Reserved | | Function number | | Register number | | 0 | 0 |

Figure 1. PCI AD31–AD0 During Address Phase of a Type 0 Configuration Cycle



configuration cycles (continued)

The bridge claims only type 0 configuration cycles when its P_IDSEL terminal is asserted during the address phase of the cycle and the PCI function number encoded in the cycle is 0. If the function number is 1 or greater, the bridge does not recognize the configuration command. In this case, the bridge does not assert DEVSEL and the configuration transaction results in a master abort. The bridge services valid type 0 configuration read or write cycles by accessing internal registers from the configuration header (see Table 3).

Because type 1 configuration cycles are issued to devices on subordinate buses, the bridge claims type 1 cycles based on the bus number of the destination bus. The P_AD bus encoding during the address phase of a type 1 cycle is shown in Figure 2. The device number and bus number fields define the destination bus and device for the cycle.

| | | | | | | | | | | | | |
|-----------|-----------|------------|-----------|-----------|---------------|-----------|-----------------|----------|-----------------|----------|----------|---|
| 31 | 24 | 23 | 16 | 15 | 11 | 10 | 8 | 7 | 2 | 1 | 0 | |
| Reserved | | Bus number | | | Device number | | Function number | | Register number | | 0 | 1 |

Figure 2. PCI AD31–AD0 During Address Phase of a Type 1 Configuration Cycle

Several bridge configuration registers shown in Table 3 are significant when decoding and claiming type 1 configuration cycles. The destination bus number encoded on the P_AD bus is compared to the values programmed in the bridge configuration registers 18h, 19h, and 1Ah, which are the primary bus number, secondary bus number, and subordinate bus number registers, respectively. These registers default to 00h and are programmed by host software to reflect the bus hierarchy in the system (see Figure 3 for an example of a system bus hierarchy and how the PCI2031 bus number registers would be programmed in this case).

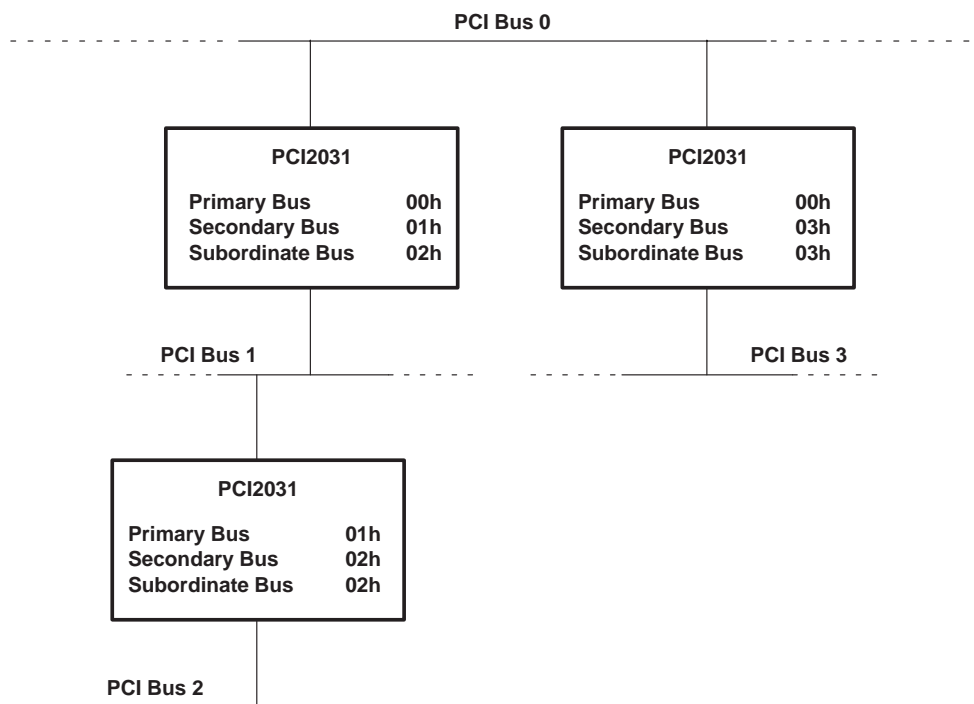


Figure 3. Bus Hierarchy and Numbering

PCI2031

PCI-TO-PCI BRIDGE

SCPS017A – DECEMBER 1997 – REVISED JANUARY 1998

special cycle generation

The bridge is designed to generate special cycles on both buses through a type 1 cycle conversion. During a type 1 configuration cycle, if the bus number field matches the bridge's secondary bus number, the device number field is 1Fh, and the function number field is 07h, the bridge generates a special cycle on the secondary bus with a message that matches the type 1 configuration cycle data. If the bus number is a subordinate bus and not the secondary, then the bridge passes the type 1 special cycle request through to the secondary interface along with the proper message.

Special cycles are never passed through the bridge. Type 1 configuration cycles with a special cycle request can propagate in both directions.

PCI Local Bus Specification 2.1 compliance

The most significant additions to the PCI Local Bus Specification 2.1 are the latency requirements placed on PCI peripherals. Minimum response times are specified for a PCI device to respond with valid data. These requirements are intended to improve throughput and reduce latencies on the PCI bus. The PCI2031 bridge is fully compliant with these guidelines.

Other additions to revision 2.1 of the PCI specification include the subsystem ID and subsystem vendor ID registers in the PCI configuration header. The PCI2031 bridge includes these features, as well.

PCI clock run feature

The PCI2031 supports the PCI clock run protocol as defined in the PCI Mobile Design Guide, Revision 1.0. When the system's central resource signals to the system that it wants to stop the PCI clock (PCLK) by driving the primary clock run ($\overline{P_CLKRUN}$) signal high, the bridge either signals that it is OK to stop the PCI clock by leaving $\overline{P_CLKRUN}$ deasserted (high), or signals to the system to keep the clock running by driving $\overline{P_CLKRUN}$ low.

The PCI2031 clock run control register provides a clock run enable bit for the primary bus and a separate clock run enable bit for the secondary bus. The bridge's $\overline{P_CLKRUN}$ and secondary clock run ($\overline{S_CLKRUN}$) feature are enabled by setting bits 3 and 1, respectively, in the clock run control register. Bit 2 of the clock run control register allows software to enable the bridge's keep clock running mode to prevent the system from stopping the PCI clock. There are two conditions for restarting the secondary clock: a downstream transaction restarts the secondary clock; on the secondary, if $\overline{S_CLKRUN}$ is asserted, the secondary clock is restarted.

There are two clock run modes supported on the secondary bus. The bridge can be configured to stop the secondary PCI clock only in response to a request from the primary bus to stop the clock, or it can be configured to stop the secondary clock whenever the secondary bus is idle and there are no transaction requests from the primary bus, regardless of the primary clock (see *clock run control register*).

bus arbitration

The PCI2031 implements bus request ($\overline{P_REQ}$) and bus grant ($\overline{P_GNT}$) terminals for primary PCI bus arbitration. Six secondary bus requests and six secondary bus grants are provided on the secondary of the PCI2031. Seven potential initiators, including the bridge, can be located on the secondary bus. The PCI2031 provides a two-tier arbitration scheme on the secondary bus for priority bus-master handling.

The two-tier arbitration scheme improves performance in systems in which master devices do not all require the same bandwidth. Any master that requires frequent use of the bus can be programmed to be in the higher priority tier.

primary bus arbitration

The PCI2031, acting as an initiator on the primary bus, asserts $\overline{P_REQ}$ when forwarding transactions upstream to the primary bus. In the upstream direction, as long as a posted write data or a delayed transaction request is in the queue, the PCI2031 keeps $\overline{P_REQ}$ asserted. If a target disconnect, a target retry, or a target abort is received in response to a transaction initiated on the primary bus by the PCI2031, the device deasserts $\overline{P_REQ}$ for two PCI clock cycles.



POST OFFICE BOX 655303 • DALLAS, TEXAS 75265

primary bus arbitration (continued)

When the primary bus arbiter asserts $\overline{P_GNT}$ in response to a $\overline{P_REQ}$ from the PCI2031, the device initiates a transaction on the primary bus during the next PCI clock cycle.

When $\overline{P_REQ}$ is not asserted and the primary bus arbiter asserts $\overline{P_GNT}$ to the PCI2031, the device responds by parking the P_AD31-P_AD0 bus, the $C/\overline{BE}3-C/\overline{BE}0$ bus, and primary parity (P_PAR) by driving them to valid logic levels. If the PCI2031 is parking the primary bus and wants to initiate a transaction on the primary, it can start the transaction on the next PCI clock by asserting the primary cycle frame ($\overline{P_FRAME}$) while $\overline{P_GNT}$ is still asserted. If $\overline{P_GNT}$ is deasserted, the bridge must re-arbitrate for the bus to initiate a transaction.

internal secondary bus arbitration

Bit 6 of the secondary clock/arbiter disable register at configuration offset 6Ch controls the state of the internal secondary arbiter. By default, the PCI2031 internal secondary bus arbiter is enabled (bit 6 is 0). The internal arbiter can be disabled by setting bit 6 to 1. The PCI2031 provides six secondary bus request terminals and six secondary bus grant terminals. Including the bridge itself, there are a total of seven potential secondary bus masters. These request and grant signals are connected to the internal arbiter. When an external arbiter is implemented, $\overline{S_REQ}5-\overline{S_REQ}1$ and $\overline{S_GNT}5-\overline{S_GNT}1$ are 3-stated.

external secondary bus arbitration

An external secondary bus arbiter can be used instead of the PCI2031 internal bus arbiter. When using an external arbiter, the PCI2031 internal arbiter should be disabled either by using the secondary external arbiter enable ($\overline{S_EXTARB}$) input, or by setting bit 6 of the secondary clock/arbiter disable register (at offset 6Ch) to 1.

When an external secondary bus arbiter is used, the PCI2031 internally reconfigures the $\overline{S_REQ}0$ and $\overline{S_GNT}0$ signals so that $\overline{S_REQ}0$ becomes the secondary bus master grant for the bridge and $\overline{S_GNT}0$ becomes the secondary bus master request for the PCI2031. This is done because $\overline{S_REQ}0$ is an input and can thus be used to provide the grant input to the bridge, and $\overline{S_GNT}0$ is an output and can thus provide the request output from the bridge.

When an external arbiter is used, all unused secondary bus grant outputs ($\overline{S_GNT}5-\overline{S_GNT}1$) are 3-stated. Any unused secondary bus request inputs ($\overline{S_REQ}5-\overline{S_REQ}1$) should be pulled high to prevent the inputs from oscillating.

decode options

The PCI2031 supports positive, subtractive, and negative decoding. Positive decoding is a method of address decoding in which a device responds only to accesses within an assigned address range. Negative decoding is a method of address decoding in which a device responds only to accesses outside of an assigned address range. Subtractive decoding is a method of address decoding in which a device responds to accesses not claimed by any other devices on the bus. Subtractive decoding can be enabled on the primary bus or the secondary bus.

extension windows with programmable decoding

The PCI2031 provides two programmable 32-bit extension windows. Each window can be programmed to be a prefetchable memory window, a nonprefetchable memory window, or an I/O window. The TI extension memory windows have a 4K-byte granularity, and the I/O windows have a double-word granularity. These extension windows can be positively decoded either on the primary bus or on the secondary bus.

The standard PCI-to-PCI bridge memory and I/O windows specified by the PCI-to-PCI Bridge Specification 1.0 have a 1M-byte and 4K-byte granularity, respectively (see *memory base register* and *I/O base register*). The TI extension windows provide smaller granularity for memory and I/O windows. The extension windows' granularity matches the requirements of CardBus card windows, which also have 4K-byte granularity for memory windows and double-word granularity for I/O windows. When a CardBus I/O card is sitting behind the bridge, the smaller double-word I/O window granularity with the extension windows allows a smaller I/O window than the 4K-byte window with the standard I/O base and limit registers.

PCI2031

PCI-TO-PCI BRIDGE

SCPS017A – DECEMBER 1997 – REVISED JANUARY 1998

extension windows with programmable decoding (continued)

A common I/O base address for popular sound cards is 300h–303h. Using the TI extension windows and configuring the base I/O address for 300h establishes a 4-byte I/O address window from 300h–303h for communicating with the sound card. Using the bridge's standard I/O base register requires a minimum 4K-byte window of memory.

The extension windows can be excluded from the primary bus decoding, thus creating a hole in a primary window address range.

system error handling

The PCI2031 can be configured to signal a system error (SERR) for a variety of conditions. The SERR control and status registers, configuration offset 60h and 61h, respectively, provide individual SERR control/status bits for each condition for which the bridge can signal SERR. These individual bits enable SERR reporting for both downstream and upstream transactions.

With the exception of the master retry timeout and address parity errors, SERR is signaled on the primary bus for the following conditions, only if the corresponding bit in the SERR control register is set and the SERR enable bit in the command register (configuration offset 04h, bit 8) is set. The system error signal (bit 14) in the primary status register is set whenever the PCI2031 signals SERR.

Whenever the PCI2031 signals SERR on the primary bus, bit 14 in its status register gets set. Whenever the PCI2031 detects SERR on the secondary bus, bit 14 in the secondary status register gets set (see *status register* and *secondary status register*).

arbiter timeout

If a master on the secondary bus does not start a transaction within 16 clock cycles after receiving the bus grant, the arbiter times out and generates SERR. When the bridge signals SERR due to an arbiter timeout, bit 0 of the SERR status register is set. This bit can be cleared by writing a 1.

parity error on posted writes

If bit 1 in the SERR control register is set, parity errors on the target bus can be passed back to the initiator bus as SERRs, only if the error is not detected by the bridge. For example, if the bridge accepts a posted write transaction and does not detect a parity error, but the target of the posted write does detect bad parity and asserts PERR on the target bus, the bridge passes the parity error (PERR) back to the initiator side as SERR. When this occurs, bit 1 of the SERR status register gets set. The status bit is cleared by writing a 1.

target abort on posted writes

If bit 2 of the SERR control register is set and the bridge gets a target abort during a posted write transaction, it signals SERR on the initiator bus. As a result, bit 2 of the SERR status register gets set. The status bit is cleared by writing a 1.

master abort on posted writes

If bit 3 of the SERR control register is set and a posted write transaction results in a master abort, the bridge signals SERR on the initiator bus. As a result, bit 3 of the SERR status register gets set. The status bit is cleared by writing a 1.

discard timeout on nonprefetchable reads

If bit 4 of the SERR control register is set and the bridge discard timer expires during a nonprefetchable read transaction, the bridge signals SERR. As a result, bit 4 of the SERR status register gets set. The status bit is cleared by writing a 1.



data parity errors when the PCI2031 is mastering

If bit 5 of the SERR control register is set, the PCI2031 signals SERR when it detects a parity error while it is mastering the bus. As a result, bit 5 of the SERR status register gets set. The status bit is cleared by writing a 1.

This bit should be enabled only when the bridge is configured for fixing parity.

address parity errors

If the parity error response bit (bit 6) of the command register is set, the PCI2031 signals SERR on address parity errors and target abort. As a result, bit 6 of the SERR status register gets set. The status bit is cleared by writing a 1. There is no separate control bit in the SERR control register for reporting this error.

master retry timeout

If the PCI2031 is configured for master retry timeout (bit 15 in the diagnostic register is 1), the PCI2031 signals SERR when it is mastering the bus and the master retry timer times out. As a result, bit 7 of the SERR status register gets set. The status bit is cleared by writing a 1. There is no separate control bit in the SERR control register for reporting this error.

secondary SERR

The PCI2031 passes SERR from the secondary bus to the primary bus if it is enabled for SERR response (bit 8 in the command register is 1), and bit 1 in the bridge control register (configuration offset 03eh) is set.

parity handling and parity error reporting

The PCI2031 can be configured to pass parity or provide parity via bit 14 of the diagnostic register. When this bit is cleared to 0, the bridge is enabled for passing parity errors. Parity error passing is the default mode in the bridge. Parity error passing is recommended only if devices in the system are capable of error recovery. The following parity conditions result in the bridge signaling an error.

address parity error

If the parity error response bit (bit 6) in the command register is set, the PCI2031 signals SERR on address parity errors and target abort transactions. As a result, bit 6 in the SERR status register is set. The status bit is cleared by writing a 1.

data parity error

If the parity error response bit (bit 6) in the command register is set, the PCI2031 signals PERR when it receives bad data. When the bridge detects bad parity, bit 15 (detected parity error) in the PCI status register is set.

If the bridge is configured to respond to parity errors via bit 6 in the command register, the data parity error detected bit (bit 8 in the status register) is set when the bridge detects bad parity. The data parity error detected bit is also set when the bridge, as a bus master, asserts PERR or detects PERR.

master and target abort handling

If the PCI2031 receives a target abort during a write burst, it signals target abort back on the initiator bus. If it receives a target abort during a read burst, it provides all of the valid data on the initiator bus and disconnects. Target aborts for posted and nonposted transactions are reported as specified in the PCI-to-PCI Bridge Specification 1.0.

Master aborts for posted and nonposted transactions are reported as specified in the PCI-to-PCI Bridge Specification 1.0. If a transaction is attempted on the primary bus after a secondary reset is asserted, the PCI2031 follows the master abort mode bit setting (bit 5 in the bridge control register) for reporting errors.

PCI2031

PCI-TO-PCI BRIDGE

SCPS017A – DECEMBER 1997 – REVISED JANUARY 1998

serialized interrupts

The PCI2031 supports serialized IRQs for systems that support the serialized interrupt standard defined in the Serialized IRQ Support for PCI Systems Specification 6.0. This specification defines IRQ support for two PCI-to-PCI bridges connected serially. The specification states that PCI-to-PCI bridges must buffer the serialized IRQ stream from the secondary PCI bus to the primary PCI bus. The PCI2031 serializer provides the required buffering.

Bit 0 of the Serialized IRQ Support register (configuration offset 79h) must be set to enable serialized IRQ support. This register also controls the number of start pulses and the number of data frames. The PCI2031 can be programmed to provide a start pulse of 4 clocks or 6 clocks and the number of IRQ/data frames is programmable from 17 to 32.

The PCI2031 buffers IRQ data upstream and IRQ stop pulses downstream. In continuous mode, the PCI2031 initiates and completes a start on the secondary side when a start is initiated on the primary side. In quiet mode, the PCI2031 completes a start initiated by an IRQSER device on its secondary side and also initiates a start on the primary side.

After a power up or reset in a two-bridge system, both bridges must have IRQ support enabled (bit 0 of the Serialized IRQ Support register) before any data streams are initiated by the host controller.

The serialized IRQ implementation uses the P_GPIO1 general purpose I/O pin for the primary IRQSER signaling and the S_GPIO2 general purpose I/O pin for the secondary IRQSER signaling.

discard timer

The PCI2031 is free to discard the data or status of a delayed transaction that was completed with a delayed transaction termination when a bus master has not repeated the request within 2^{10} or 2^{15} PCI clocks (approximately 30 μ s and 993 μ s, respectively). PCI Local Bus Specification 2.1 recommends that a bridge wait 2^{15} PCI clocks before discarding the transaction data or status.

The PCI2031 implements a discard timer for use in delayed transactions. After a delayed transaction is completed on the destination bus, the bridge may discard it under two conditions. The first condition occurs when a read transaction is made to a region of memory that the bridge knows is prefetchable, or the command is a memory read line or a memory read multiple, implying that the memory region is prefetchable. The other condition occurs when the master originating the transaction (either a read or a write, prefetchable or nonprefetchable) has not retried the transaction within 2^{10} or 2^{15} clocks. The number of clocks is tracked by a timer referred to as the discard timer. When the discard timer expires, the bridge is required to discard the data. The PCI2031 default value for the discard timer is 2^{15} clocks; however, this value can be set to 2^{10} clocks by clearing bit 1 in the diagnostic register (configuration offset 70h–71h). For more information on the discard timer, see *error conditions* in PCI Local Bus Specification 2.1.

delayed transactions

The bridge supports delayed transactions as defined in PCI Local Bus Specification 2.1. A target must be able to complete the initial data phase in 16 PCI clocks or less from the assertion of the cycle frame (FRAME), and subsequent data phases must complete in eight PCI clocks or less. A delayed transaction consists of three phases:

- An initiator device issues a request.
- The target completes the request on the destination bus and signals the completion to the initiator.
- The initiator completes the request on the originating bus.



delayed transactions (continued)

If the bridge is the target of a PCI transaction and it must access a slow device to write or read the requested data, and the transaction takes longer than 16 clocks, the bridge must latch the address, the command, and the byte enables, then issue a retry to the initiator. The initiator must end the transaction without any transfer of data and is required to retry the transaction later using the same address, command, and byte enables. This is the first phase of the delayed transaction.

During the second phase, if the transaction is a read cycle, the bridge fetches the requested data on the destination bus, stores it internally, and obtains the completion status, thus completing the transaction on the destination bus. If it is a write transaction, the bridge writes the data and obtains the completion status, thus completing the transaction on the destination bus. The bridge stores the completion status until the master on the initiating bus retries the initial request.

During the third phase, the initiator rearbiterates for the bus. When the bridge sees the initiator retry the transaction, it compares the second request to the first request. If the address, command, and byte enables match the values latched in the first request, the completion status (and data if the request was a read) is transferred to the initiator. At this point, the delayed transaction is complete. If the second request from the initiator does not match the first request exactly, the bridge issues another retry to the initiator.

When bit 2 of the diagnostic register is 0, the PCI2031 is configured for immediate retry mode. In immediate retry mode, the bridge issues a retry immediately, instead of after 16 clocks, on delayed transactions.

flush request/flush acknowledge

The bridge implements two active-low signals on the secondary interface for write-posting buffer control. These signals are secondary flush request (S_FLSHREQ) and secondary flush acknowledge (S_FLSHACK). S_FLSHREQ is an input to the secondary interface of the bridge to request that internal write posting, in both directions, be disabled. When the bridge detects S_FLSHREQ is asserted, it responds with an S_FLSHACK acknowledgment. S_FLSHACK remains asserted (low) until the write-posting buffers are empty.

general-purpose input/output terminals

The PCI2031 provides four primary and four secondary general-purpose input/output (I/O) terminals for design flexibility. The general-purpose I/O terminals can be used for turning LEDs and other components on and off, and switching power on and off for different planes in the system and other similar uses. For example:

- P_GPIO0 can be configured as an output and used as an interrupt request from the PCI2031 when docking support is enabled.
- P_GPIO2 and P_GPIO3 can be configured as input pins and used as docking station support detect pins 1 and 2, respectively.
- S_GPIO0 and S_GPIO1 are used for the serial EEPROM interface between the EEPROM and the PCI2031. S_GPIO0 serves as the clock line and S_GPIO1 serves as the data line.
- P_GPIO1 and S_GPIO2 can be used as primary and secondary bus IRQSER pins, respectively.

slot numbers and chassis numbers

The PCI2031 contains two registers, slot number and chassis number, which help in identifying the physical location of various controller devices in a server-based system.

In a desktop computer, there are typically just a few PCI expansion slots. These slots usually host a graphics controller, disk drive controller, and a network controller. Generally, there is no duplication of functionality among the devices. It is relatively easy to connect the appropriate cables to the devices and to configure this type of system during power on.

PCI2031

PCI-TO-PCI BRIDGE

SCPS017A – DECEMBER 1997 – REVISED JANUARY 1998

slot numbers and chassis numbers (continued)

In a network server system, where the server might have multiple connections to several storage subsystems and LAN segments, identifying a particular device in the network can be difficult. A server might contain several PCI expansion slots, some of which contain multiple controllers. In this case, it is more difficult to identify a particular chassis and slot within the chassis that contains a specific controller. In such a server system, if a controller fails, software must have a way to determine which device failed and communicate this to the system administrator so it can be replaced.

At power on, the system configuration software assigns each subsystem cabinet a chassis number. The network controllers (e.g., a PCI Ethernet controller) are also identified by slot number. The host server is assigned chassis 0. The chassis number register in the PCI2031 contains an 8-bit number that designates the chassis number in which the slots on its secondary bus reside. Multiple PCI buses in the same chassis are assigned the same number.

For more information, refer to the chapter *“Where Do I Plug the Cable?”* in the PCI Spring Developers’ Conference and Expo Conference Proceedings published by Annabooks, ISBN 0-929392-34-5.

PCI power management

The PCI power management specification establishes the infrastructure required to let the operating system control the power of PCI functions. This is done by defining a standard PCI interface and operations to manage the power of PCI functions on the bus. The PCI bus and the PCI functions can be assigned one of four software visible power management states, which result in varying levels of power savings.

The four power management states of PCI functions are D0 “Fully on” state, D1, D2 “intermediate states” and D3 “Off” state. Similarly, bus power states of the PCI bus are B0–B3. The Bus power states B0–B3 are derived from the device power state of the originating PCI2031 device.

For the operating system to power manage the device power states on the PCI bus, the PCI function supports four power management operations:

- Capabilities reporting
- Power status reporting
- Setting the power state
- System wake-up

The operating system identifies the capabilities of the PCI function by traversing the new capabilities list. The presence of new capabilities is indicated by a bit in the PCI status register and by providing a access to a capabilities list.

behavior in low power states

The PCI2031 supports D0, D1, D2, D3 cold, and D3 hot power states. The PCI2031 is fully functional only in D0 state. In the lower power states, the bridge does not accept any memory or I/O transactions. These transactions are aborted by the master. The bridge accepts Type 0 configuration cycles in all power states except D3 cold. The bridge also accepts Type 1 configuration cycles but does not pass these cycles to the secondary bus in any of the lower power states. Type 1 configuration writes are discarded and reads return all 1’s. All error reporting is done in the low power states. When in D2 and D3 hot states, the bridge turns off all secondary clocks for further power savings.

When going from D3 hot to D0, an internal reset is generated. This reset initializes all PCI configuration registers to their default values. All TI specific registers (40h – FFh) are not reset. Power Management registers are also not reset.

typical applications

Figure 4 shows two typical applications for the PCI2031 PCI-to-PCI bridge. A system that requires more than ten PCI loads requires a PCI-to-PCI bridge to overcome the electrical loading limits laid out in the PCI Local Bus Specification 2.1. Since option card slots require two loads each, bridging is necessary on large and expandable systems. Furthermore, option cards using more than one PCI device require a PCI-to-PCI bridge to limit the load to the option slot.

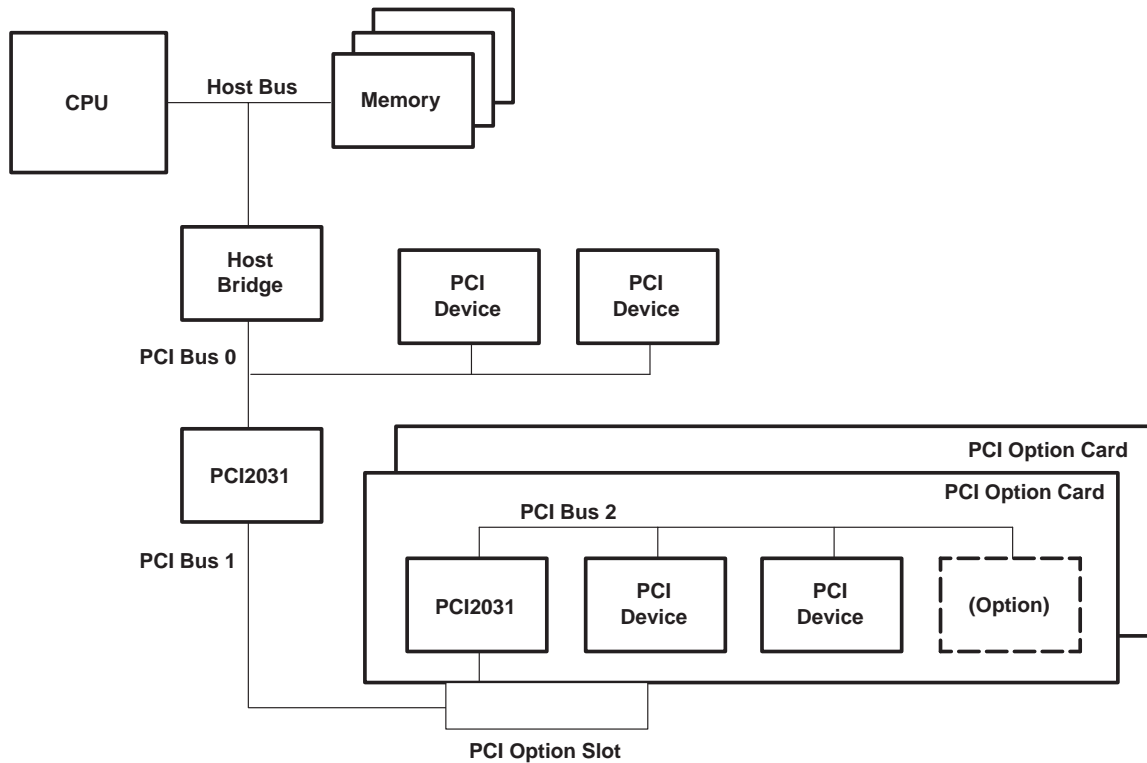


Figure 4. Typical Bridge Application

PCI2031 PCI-TO-PCI BRIDGE

SCPS017A – DECEMBER 1997 – REVISED JANUARY 1998

bridge configuration header

The PCI2031 bridge is a single-function PCI device. The configuration header is in compliance with the PCI-to-PCI Bridge Architecture Specification 1.0, April 5, 1994. Table 3 shows the PCI configuration header, which includes the predefined portion of the bridge's configuration space. The PCI configuration offset is shown in the right column under the OFFSET heading.

Table 3. Bridge Configuration Header

| REGISTER NAME | | | | OFFSET |
|----------------------------------|--------------------------|---------------------------------|------------------------------------|---------|
| Device ID | | Vendor ID | | 00h |
| Status | | Command | | 04h |
| Class code | | | Revision ID | 08h |
| BIST | Header type | Latency timer | Cache line size | 0Ch |
| Base address 0 | | | | 10h |
| Base address 1 | | | | 14h |
| Secondary bus latency timer | Subordinate bus number | Secondary bus number | Primary bus number | 18h |
| Secondary status | | I/O limit | I/O base | 1Ch |
| Memory limit | | Memory base | | 20h |
| Prefetchable memory limit | | Prefetchable memory base | | 24h |
| Prefetchable base upper 32 bits | | | | 28h |
| Prefetchable limit upper 32 bits | | | | 2Ch |
| I/O limit upper 16 bits | | I/O base upper 16 bits | | 30h |
| Reserved | | | Capability pointer | 34h |
| Expansion ROM base address | | | | 38h |
| Bridge control | | Interrupt pin | Interrupt line | 3Ch |
| Subsystem ID | | Subsystem vendor ID | | 40h |
| Extension window base 0 | | | | 44h |
| Extension window limit 0 | | | | 48h |
| Extension window base 1 | | | | 4Ch |
| Extension window limit 1 | | | | 50h |
| Reserved | | | | 54h–5Ch |
| Reserved | Reserved | SERR status | SERR control | 60h |
| Primary decode control | Secondary decode control | Extension window map | Extension window enable | 64h |
| Port decode map | | Port decode enable | | 68h |
| Clock run control | Bridge arbitration | Buffer control | Secondary clock/arbitrator disable | 6Ch |
| Diagnostic status | | Diagnostic control | | 70h |
| GPIO output data | GPIO direction control | GPIO input data | GPIO output select | 74h |
| Arbiter timeout status | Arbiter request mask | Serialized IRQ support | Docking support | 78h |
| Reserved | | | | 7Ch |
| Power management capabilities | | Next item pointer | Capability ID | 80h |
| Reserved | PMCSR Bridge Support | Power management control/status | | 84h |
| Reserved | | | | 88h–EFh |
| Device type | Device mask | Chassis number | Slot number | F0h |
| Reserved | | | | F4h–FFh |



vendor ID register

| Bit | 15 | 14 | 13 | 12 | 11 | 10 | 9 | 8 | 7 | 6 | 5 | 4 | 3 | 2 | 1 | 0 |
|---------|-----------|----|----|----|----|----|---|---|---|---|---|---|---|---|---|---|
| Name | Vendor ID | | | | | | | | | | | | | | | |
| Type | R | R | R | R | R | R | R | R | R | R | R | R | R | R | R | R |
| Default | 0 | 0 | 0 | 1 | 0 | 0 | 0 | 0 | 0 | 1 | 0 | 0 | 1 | 1 | 0 | 0 |

Register: **Vendor ID**
 Type: Read only
 Offset: 00h
 Default: 104Ch
 Description: This 16-bit value is allocated by the PCI SIG (special interest group) and identifies TI as the manufacturer of this device. The vendor ID assigned to TI is 104Ch.

device ID register

| Bit | 15 | 14 | 13 | 12 | 11 | 10 | 9 | 8 | 7 | 6 | 5 | 4 | 3 | 2 | 1 | 0 |
|---------|-----------|----|----|----|----|----|---|---|---|---|---|---|---|---|---|---|
| Name | Device ID | | | | | | | | | | | | | | | |
| Type | R | R | R | R | R | R | R | R | R | R | R | R | R | R | R | R |
| Default | 1 | 0 | 1 | 0 | 1 | 1 | 0 | 0 | 0 | 0 | 1 | 0 | 0 | 0 | 0 | 1 |

Register: **Device ID**
 Type: Read only
 Offset: 02h
 Default: AC21h
 Description: This 16-bit value is allocated by the vendor and identifies the PCI device. The device ID for the PCI2031 is AC21h.

PCI2031 PCI-TO-PCI BRIDGE

SCPS017A – DECEMBER 1997 – REVISED JANUARY 1998

command register

| Bit | 15 | 14 | 13 | 12 | 11 | 10 | 9 | 8 | 7 | 6 | 5 | 4 | 3 | 2 | 1 | 0 |
|---------|---------|----|----|----|----|----|-----|-----|---|-----|-----|---|---|-----|-----|-----|
| Name | Command | | | | | | | | | | | | | | | |
| Type | R | R | R | R | R | R | R/W | R/W | R | R/W | R/W | R | R | R/W | R/W | R/W |
| Default | 0 | 0 | 0 | 0 | 0 | 0 | 0 | 0 | 0 | 0 | 0 | 0 | 0 | 0 | 0 | 0 |

Register: **Command**

Type: Read only, read/write (see individual bit descriptions)

Offset: 04h

Default: 0000h

Description: The command register provides control over the bridge's interface to the primary PCI bus. Palette snooping is enabled through this register, and all other bits adhere to the definitions in the PCI Local Bus Specification 2.1. Table 4 describes the bit functions in the command register.

Table 4. Command Register

| BIT | TYPE | FUNCTION |
|-------|------|--|
| 15–10 | R | Reserved |
| 9 | R/W | Fast back-to-back enable. The bridge does not generate fast back-to-back transactions on the primary PCI bus. Bit 9 is read/write, but does not affect the bridge when set. This bit defaults to 0. |
| 8 | R/W | System error ($\overline{\text{SERR}}$) enable. Bit 8 controls the enable for the $\overline{\text{SERR}}$ driver on the primary interface. 0 = Disable $\overline{\text{SERR}}$ driver on primary interface (default) 1 = Enable the $\overline{\text{SERR}}$ driver on primary interface |
| 7 | R | Wait cycle control. Bit 7 controls address/data stepping by the bridge on both interfaces. The bridge does not support address/data stepping and this bit is hardwired to 0. |
| 6 | R/W | Parity error response enable. Bit 6 controls the bridge's response to parity errors. 0 = Parity error response disabled (default) 1 = Parity error response enabled |
| 5 | R/W | VGA palette snoop enable. When set, the bridge passes I/O writes on the primary PCI bus with addresses 3C6h, 3C8h, and 3C9h inclusive of ISA aliases (i.e., only bits AD9–AD0 are included in the decode). |
| 4 | R | Memory write and invalidate enable. In a PCI-to-PCI bridge, bit 4 must be read only and return 0 when read. |
| 3 | R | Special cycle enable. A PCI-to-PCI bridge cannot respond as a target to special cycle transactions, so bit 3 is defined as read only and must return 0 when read. |
| 2 | R/W | Bus master enable. Bit 2 controls the bridge's ability to initiate a cycle on the primary PCI bus. When bit 2 is 0, the bridge does not respond to any memory or I/O transactions on the secondary interface since they cannot be forwarded to the primary PCI bus. 0 = Bus master capability disabled (default) 1 = Bus master capability enabled |
| 1 | R/W | Memory space enable. Bit 1 controls the bridge's response to memory accesses for both prefetchable and nonprefetchable memory spaces on the primary PCI bus. Only when bit 1 is set will the bridge forward memory accesses to the secondary bus from a primary bus initiator. 0 = Memory space disabled (default) 1 = Memory space enabled |
| 0 | R/W | I/O space enable. Bit 0 controls the bridge's response to I/O accesses on the primary interface. Only when bit 0 is set will the bridge forward I/O accesses to the secondary bus from a primary bus initiator. 0 = I/O space disabled (default) 1 = I/O space enabled |



POST OFFICE BOX 655303 • DALLAS, TEXAS 75265

status register

| Bit | 15 | 14 | 13 | 12 | 11 | 10 | 9 | 8 | 7 | 6 | 5 | 4 | 3 | 2 | 1 | 0 |
|---------|--------|-----|-----|-----|-----|----|---|-----|---|---|---|---|---|---|---|---|
| Name | Status | | | | | | | | | | | | | | | |
| Type | R/W | R/W | R/W | R/W | R/W | R | R | R/W | R | R | R | R | R | R | R | R |
| Default | 0 | 0 | 0 | 0 | 0 | 0 | 1 | 0 | 0 | 0 | 0 | 1 | 0 | 0 | 0 | 0 |

Register: **Status**
 Type: Read only, read/write (see individual bit descriptions)
 Offset: 06h
 Default: 0210h
 Description: The status register provides device information to the host system. This register is read only. Bits in this register are cleared by writing a 1 to the respective bit; writing a 0 to a bit location has no effect. Table 5 describes the status register.

Table 5. Status Register

| BIT | TYPE | FUNCTION |
|------|------|---|
| 15 | R/W | Detected parity error. Bit 15 is set when a parity error is detected. |
| 14 | R/W | Signaled system error (SERR). Bit 14 is set if SERR is enabled in the command register and the bridge signals a system error (SERR). See <i>system error handling</i> . 0 = No SERR signaled (default) 1 = Signals SERR |
| 13 | R/W | Received master abort. Bit 13 is set when a cycle initiated by the bridge on the primary bus has been terminated by a master abort. 0 = No master abort received (default) 1 = Master abort received |
| 12 | R/W | Received target abort. Bit 12 is set when a cycle initiated by the bridge on the primary bus has been terminated by a target abort. 0 = No target abort received (default) 1 = Target abort received |
| 11 | R/W | Signaled target abort. Bit 11 is set by the bridge when it terminates a transaction on the primary bus with a target abort. 0 = No target abort signaled by the bridge (default) 1 = Target abort signaled by the bridge |
| 10–9 | R | DEVSEL timing. These read-only bits encode the timing of P_DEVSEL and are hardwired 01b, indicating that the bridge asserts this signal at a medium speed. 01 = Hardwired (default) |
| 8 | R/W | Data parity error detected. Bit 8 is encoded as: 0 = The conditions for setting this bit have not been met. No parity error detected. (default) 1 = A data parity error occurred and the following conditions were met: a. P_PERR was asserted by any PCI device including the bridge. b. The bridge was the bus master during the data parity error. c. The parity error response bit is set in the command register. |
| 7 | R | Fast back-to-back capable. The bridge does not support fast back-to-back transactions as a target; therefore, bit 7 is hardwired to 0. |
| 6 | R | User-definable feature (UDF) support. The PCI2031 does not support the user-definable features; therefore, bit 6 is hardwired to 0. |
| 5 | R | 66 MHz capable. The PCI2031 operates at a maximum P_CLK frequency of 33 MHz; therefore, bit 5 is hardwired to 0. |
| 4 | R | Capabilities list. Bit 4 is read only and is hardwired to 1, indicating that capabilities additional to standard PCI are implemented. The linked list of PCI power management capabilities is implemented by this function. |
| 3–0 | R | Reserved |

PCI2031

PCI-TO-PCI BRIDGE

SCPS017A – DECEMBER 1997 – REVISED JANUARY 1998

revision ID register

| | | | | | | | | |
|---------|-------------|---|---|---|---|---|---|---|
| Bit | 7 | 6 | 5 | 4 | 3 | 2 | 1 | 0 |
| Name | Revision ID | | | | | | | |
| Type | R | R | R | R | R | R | R | R |
| Default | 0 | 0 | 0 | 0 | 0 | 0 | 0 | 0 |

Register: **Revision ID**
 Type: Read only
 Offset: 08h
 Default: 00h (reflects the current revision of the silicon)
 Description: The revision ID register indicates the silicon revision of the PCI2031.

class code register

| | | | | | | | | | | | | | | | | | | | | | | | | | |
|---------|------------|----|----|----|----|----|----|----|-----------|----|----|----|----|----|---|---|-----------------------|---|---|---|---|---|---|---|---|
| Bit | 23 | 22 | 21 | 20 | 19 | 18 | 17 | 16 | 15 | 14 | 13 | 12 | 11 | 10 | 9 | 8 | 7 | 6 | 5 | 4 | 3 | 2 | 1 | 0 | |
| Name | Class code | | | | | | | | | | | | | | | | | | | | | | | | |
| | Base class | | | | | | | | Sub class | | | | | | | | Programming interface | | | | | | | | |
| Type | R | R | R | R | R | R | R | R | R | R | R | R | R | R | R | R | R | R | R | R | R | R | R | R | R |
| Default | 0 | 0 | 0 | 0 | 0 | 1 | 1 | 0 | 0 | 0 | 0 | 0 | 0 | 1 | 0 | 0 | 0 | 0 | 0 | 0 | 0 | 0 | 0 | 0 | 0 |

Register: **Class code**
 Type: Read only
 Offset: 09h
 Default: 060400h
 Description: The class code register categorizes the PCI2031 as a PCI-to-PCI bridge device (0604h) with a 00h programming interface (lower byte = 00h).

cache line size register

| | | | | | | | | |
|---------|-----------------|-----|-----|-----|-----|-----|-----|-----|
| Bit | 7 | 6 | 5 | 4 | 3 | 2 | 1 | 0 |
| Name | Cache line size | | | | | | | |
| Type | R/W | R/W | R/W | R/W | R/W | R/W | R/W | R/W |
| Default | 0 | 0 | 0 | 0 | 0 | 0 | 0 | 0 |

Register: **Cache line size**
 Type: Read/write
 Offset: 0Ch
 Default: 00h
 Description: The cache line size register is programmed by host software to indicate the system cache line size needed by the bridge on memory read line and memory read multiple transactions.



latency timer register

| Bit | 7 | 6 | 5 | 4 | 3 | 2 | 1 | 0 |
|---------|---------------|-----|-----|-----|-----|-----|-----|-----|
| Name | Latency timer | | | | | | | |
| Type | R/W | R/W | R/W | R/W | R/W | R/W | R/W | R/W |
| Default | 0 | 0 | 0 | 0 | 0 | 0 | 0 | 0 |

Register: **Latency timer**

Type: Read/write

Offset: 0Dh

Default: 00h

Description: The latency timer register specifies the latency timer for the bridge in units of PCI clock cycles. When the bridge is a primary PCI bus initiator and asserts $\overline{P_FRAME}$, the latency timer begins counting from 0. If the latency timer expires before the bridge transaction has terminated, the bridge terminates the transaction when its $\overline{P_GNT}$ is deasserted.

header type register

| Bit | 7 | 6 | 5 | 4 | 3 | 2 | 1 | 0 |
|---------|-------------|---|---|---|---|---|---|---|
| Name | Header type | | | | | | | |
| Type | R | R | R | R | R | R | R | R |
| Default | 0 | 0 | 0 | 0 | 0 | 0 | 0 | 1 |

Register: **Header type**

Type: Read only

Offset: 0Eh

Default: 01h

Description: The header type register is read only and returns 01h when read, indicating that the PCI2031 configuration space adheres to the PCI-to-PCI bridge configuration. Only the layout for bytes 10h–3Fh of configuration space is considered.

BIST register

| Bit | 7 | 6 | 5 | 4 | 3 | 2 | 1 | 0 |
|---------|------|---|---|---|---|---|---|---|
| Name | BIST | | | | | | | |
| Type | R | R | R | R | R | R | R | R |
| Default | 0 | 0 | 0 | 0 | 0 | 0 | 0 | 0 |

Register: **BIST**

Type: Read only

Offset: 0Fh

Default: 00h

Description: The PCI2031 does not support built-in self test (BIST). The BIST register is read only and returns the value 00h when read.

PCI2031

PCI-TO-PCI BRIDGE

SCPS017A – DECEMBER 1997 – REVISED JANUARY 1998

base address register 0

| Bit | 31 | 30 | 29 | 28 | 27 | 26 | 25 | 24 | 23 | 22 | 21 | 20 | 19 | 18 | 17 | 16 |
|---------|-------------------------|----|----|----|----|----|----|----|----|----|----|----|----|----|----|----|
| Name | Base address register 0 | | | | | | | | | | | | | | | |
| Type | R | R | R | R | R | R | R | R | R | R | R | R | R | R | R | R |
| Default | 0 | 0 | 0 | 0 | 0 | 0 | 0 | 0 | 0 | 0 | 0 | 0 | 0 | 0 | 0 | 0 |
| Bit | 15 | 14 | 13 | 12 | 11 | 10 | 9 | 8 | 7 | 6 | 5 | 4 | 3 | 2 | 1 | 0 |
| Name | Base address register 0 | | | | | | | | | | | | | | | |
| Type | R | R | R | R | R | R | R | R | R | R | R | R | R | R | R | R |
| Default | 0 | 0 | 0 | 0 | 0 | 0 | 0 | 0 | 0 | 0 | 0 | 0 | 0 | 0 | 0 | 0 |

Register: **Base address register 0 (BAR0)**

Type: Read only

Offset: 10h

Default: 0000 0000h

Description: The bridge requires no additional resources. BAR0 is read only and returns 0s when read.

base address register 1

| Bit | 31 | 30 | 29 | 28 | 27 | 26 | 25 | 24 | 23 | 22 | 21 | 20 | 19 | 18 | 17 | 16 |
|---------|-------------------------|----|----|----|----|----|----|----|----|----|----|----|----|----|----|----|
| Name | Base address register 1 | | | | | | | | | | | | | | | |
| Type | R | R | R | R | R | R | R | R | R | R | R | R | R | R | R | R |
| Default | 0 | 0 | 0 | 0 | 0 | 0 | 0 | 0 | 0 | 0 | 0 | 0 | 0 | 0 | 0 | 0 |
| Bit | 15 | 14 | 13 | 12 | 11 | 10 | 9 | 8 | 7 | 6 | 5 | 4 | 3 | 2 | 1 | 0 |
| Name | Base address register 1 | | | | | | | | | | | | | | | |
| Type | R | R | R | R | R | R | R | R | R | R | R | R | R | R | R | R |
| Default | 0 | 0 | 0 | 0 | 0 | 0 | 0 | 0 | 0 | 0 | 0 | 0 | 0 | 0 | 0 | 0 |

Register: **Base address register 1 (BAR1)**

Type: Read only

Offset: 14h

Default: 0000 0000h

Description: The bridge requires no additional resources. BAR1 is read only and returns 0s when read.

primary bus number register

| Bit | 7 | 6 | 5 | 4 | 3 | 2 | 1 | 0 |
|---------|--------------------|-----|-----|-----|-----|-----|-----|-----|
| Name | Primary bus number | | | | | | | |
| Type | R/W | R/W | R/W | R/W | R/W | R/W | R/W | R/W |
| Default | 0 | 0 | 0 | 0 | 0 | 0 | 0 | 0 |

Register: **Primary bus number**

Type: Read/write

Offset: 18h

Default: 00h

Description: The primary bus number register indicates the primary bus number to which the bridge is connected. The bridge uses this register, in conjunction with the secondary bus number and subordinate bus number registers, to determine when to forward PCI configuration cycles to the secondary buses.



POST OFFICE BOX 655303 • DALLAS, TEXAS 75265

secondary bus number register

| Bit | 7 | 6 | 5 | 4 | 3 | 2 | 1 | 0 |
|---------|----------------------|-----|-----|-----|-----|-----|-----|-----|
| Name | Secondary bus number | | | | | | | |
| Type | R/W | R/W | R/W | R/W | R/W | R/W | R/W | R/W |
| Default | 0 | 0 | 0 | 0 | 0 | 0 | 0 | 0 |

Register: **Secondary bus number**

Type: Read/write

Offset: 19h

Default: 00h

Description: The secondary bus number register indicates the secondary bus number to which the bridge is connected. The PCI2031 uses this register, in conjunction with the primary bus number and subordinate bus number registers, to determine when to forward PCI configuration cycles to the secondary buses. Configuration cycles directed to the secondary bus are converted to type 0 configuration cycles.

subordinate bus number register

| Bit | 7 | 6 | 5 | 4 | 3 | 2 | 1 | 0 |
|---------|------------------------|-----|-----|-----|-----|-----|-----|-----|
| Name | Subordinate bus number | | | | | | | |
| Type | R/W | R/W | R/W | R/W | R/W | R/W | R/W | R/W |
| Default | 0 | 0 | 0 | 0 | 0 | 0 | 0 | 0 |

Register: **Subordinate bus number**

Type: Read/write

Offset: 1Ah

Default: 00h

Description: The subordinate bus number register indicates the bus number of the highest numbered bus beyond the primary bus existing behind the bridge. The PCI2031 uses this register, in conjunction with the primary bus number and secondary bus number registers, to determine when to forward PCI configuration cycles to the subordinate buses. Configuration cycles directed to a subordinate bus (not the secondary bus) remain type 1 cycles as the cycle crosses the bridge.

secondary bus latency timer register

| Bit | 7 | 6 | 5 | 4 | 3 | 2 | 1 | 0 |
|---------|-----------------------------|-----|-----|-----|-----|-----|-----|-----|
| Name | Secondary bus latency timer | | | | | | | |
| Type | R/W | R/W | R/W | R/W | R/W | R/W | R/W | R/W |
| Default | 0 | 0 | 0 | 0 | 0 | 0 | 0 | 0 |

Register: **Secondary bus latency timer**

Type: Read/write

Offset: 1Bh

Default: 00h

Description: The secondary bus latency timer specifies the latency timer for the bridge in units of PCI clock cycles. When the bridge is a secondary PCI bus initiator and asserts $\overline{S_FRAME}$, the latency timer begins counting from 0. If the latency timer expires before the bridge transaction has terminated, the bridge terminates the transaction when its $\overline{S_GNT}$ is deasserted. The PCI-to-PCI bridge's $\overline{S_GNT}$ is an internal signal, and is removed when another secondary bus master arbitrates for the bus.

PCI2031

PCI-TO-PCI BRIDGE

SCPS017A – DECEMBER 1997 – REVISED JANUARY 1998

I/O base register

| Bit | 7 | 6 | 5 | 4 | 3 | 2 | 1 | 0 |
|---------|----------|-----|-----|-----|---|---|---|---|
| Name | I/O base | | | | | | | |
| Type | R/W | R/W | R/W | R/W | R | R | R | R |
| Default | 0 | 0 | 0 | 0 | 0 | 0 | 0 | 1 |

Register: **I/O base**

Type: Read only, read/write

Offset: 1Ch

Default: 01h

Description: The I/O base register is used in decoding I/O addresses to pass through the bridge. The bridge supports 32-bit I/O addressing; thus, bits 3–0 are read only and default to 0001b. The upper four bits are writable and correspond to address bits AD15–AD12. The lower 12 address bits of the I/O base address are considered 0. Thus, the bottom of the defined I/O address range is aligned on a 4K-byte boundary. The upper 16 address bits of the 32-bit I/O base address corresponds to the contents of the I/O base upper 16-bit register (register 30h).

I/O limit register

| Bit | 7 | 6 | 5 | 4 | 3 | 2 | 1 | 0 |
|---------|-----------|-----|-----|-----|---|---|---|---|
| Name | I/O limit | | | | | | | |
| Type | R/W | R/W | R/W | R/W | R | R | R | R |
| Default | 0 | 0 | 0 | 0 | 0 | 0 | 0 | 1 |

Register: **I/O limit**

Type: Read only, read/write

Offset: 1Dh

Default: 01h

Description: The I/O limit register is used in decoding I/O addresses to pass through the bridge. The bridge supports 32-bit I/O addressing; thus, bits 3–0 are read only and default to 0001b. The upper four bits are writable and correspond to address bits AD15–AD12. The lower 12 address bits of the I/O limit address are considered FFFh. Thus, the top of the defined I/O address range is aligned on a 4K-byte boundary. The upper 16 address bits of the 32-bit I/O limit address corresponds to the contents of the I/O limit upper 16-bit register (register 32h).



secondary status register

| Bit | 15 | 14 | 13 | 12 | 11 | 10 | 9 | 8 | 7 | 6 | 5 | 4 | 3 | 2 | 1 | 0 |
|---------|------------------|-----|-----|-----|-----|----|---|-----|---|---|---|---|---|---|---|---|
| Name | Secondary status | | | | | | | | | | | | | | | |
| Type | R/W | R/W | R/W | R/W | R/W | R | R | R/W | R | R | R | R | R | R | R | R |
| Default | 0 | 0 | 0 | 0 | 0 | 0 | 1 | 0 | 0 | 0 | 0 | 0 | 0 | 0 | 0 | 0 |

Register: **Secondary status**
 Type: Read only, read/write (see individual bit descriptions)
 Offset: 1Eh
 Default: 0200h
 Description: The secondary status register is similar in function to the status register at configuration offset 06h; however, its bits reflect status conditions of the secondary interface. Bits in this register are cleared by writing a 1 to the respective bit.

Table 6. Secondary Status Register

| BIT | TYPE | FUNCTION |
|------|------|---|
| 15 | R/W | Detected parity error. Bit 15 is set when a parity error is detected on the secondary interface. 0 = No parity error detected on the secondary bus (default) 1 = Parity error detected on the secondary bus |
| 14 | R/W | Received system error. Bit 14 is set when the secondary interface detects <u>S_SERR</u> asserted. Note that the bridge never asserts <u>S_SERR</u> . 0 = No <u>S_SERR</u> detected on the secondary bus (default) 1 = <u>S_SERR</u> detected on the secondary bus |
| 13 | R/W | Received master abort. Bit 13 is set when a cycle initiated by the bridge on the secondary bus has been terminated by a master abort. 0 = No master abort received (default) 1 = Bridge master aborted the cycle |
| 12 | R/W | Received target abort. Bit 12 is set when a cycle initiated by the bridge on the secondary bus has been terminated by a target abort. 0 = No target abort received (default) 1 = Bridge received a target abort |
| 11 | R/W | Signaled target abort. Bit 11 is set by the bridge when it terminates a transaction on the secondary bus with a target abort. 0 = No target abort signaled (default) 1 = Bridge signaled a target abort |
| 10–9 | R | DEVSEL timing. These read-only bits encode the timing of <u>S_DEVSEL</u> and are hardwired to 01b, indicating that the bridge asserts this signal at a medium speed. |
| 8 | R/W | Data parity error detected. 0 = The conditions for setting this bit have not been met 1 = A data parity error occurred and the following conditions were met: a. <u>S_PERR</u> was asserted by any PCI device including the bridge. b. The bridge was the bus master during the data parity error. c. The parity error response bit is set in the bridge control register. |
| 7 | R | Fast back-to-back capable. Bit 7 is hardwired to 0. |
| 6 | R | User-definable feature (UDF) support. Bit 6 is hardwired to 0. |
| 5 | R | 66 MHz capable. Bit 5 is hardwired to 0. |
| 4–0 | R | Reserved |

PCI2031

PCI-TO-PCI BRIDGE

SCPS017A – DECEMBER 1997 – REVISED JANUARY 1998

memory base register

| Bit | 15 | 14 | 13 | 12 | 11 | 10 | 9 | 8 | 7 | 6 | 5 | 4 | 3 | 2 | 1 | 0 |
|---------|-------------|-----|-----|-----|-----|-----|-----|-----|-----|-----|-----|-----|---|---|---|---|
| Name | Memory base | | | | | | | | | | | | | | | |
| Type | R/W | R/W | R/W | R/W | R/W | R/W | R/W | R/W | R/W | R/W | R/W | R/W | R | R | R | R |
| Default | 0 | 0 | 0 | 0 | 0 | 0 | 0 | 0 | 0 | 0 | 0 | 0 | 0 | 0 | 0 | 0 |

Register: **Memory base (memory-mapped I/O base)**

Type: Read only, read/write

Offset: 20h

Default: 0000h

Description: The memory base register defines the base address of a memory-mapped I/O address range used by the bridge to determine when to forward memory transactions from one interface to the other. The upper 12 bits of this register are read/write and correspond to the address bits AD31–AD20. The lower 20 address bits are considered 0s; thus, the address range is aligned to a 1M-byte boundary. The bottom four bits are read only and return 0s when read.

memory limit register

| Bit | 15 | 14 | 13 | 12 | 11 | 10 | 9 | 8 | 7 | 6 | 5 | 4 | 3 | 2 | 1 | 0 |
|---------|--------------|-----|-----|-----|-----|-----|-----|-----|-----|-----|-----|-----|---|---|---|---|
| Name | Memory limit | | | | | | | | | | | | | | | |
| Type | R/W | R/W | R/W | R/W | R/W | R/W | R/W | R/W | R/W | R/W | R/W | R/W | R | R | R | R |
| Default | 0 | 0 | 0 | 0 | 0 | 0 | 0 | 0 | 0 | 0 | 0 | 0 | 0 | 0 | 0 | 0 |

Register: **Memory limit (memory-mapped I/O limit)**

Type: Read only, read/write

Offset: 22h

Default: 0000h

Description: The memory limit register defines the upper-limit address of a memory-mapped I/O address range used to determine when to forward memory transactions from one interface to the other. The upper 12 bits of this register are read/write and correspond to the address bits AD31–AD20. The lower 20 address bits are considered 1s; thus, the address range is aligned to a 1M-byte boundary. The bottom four bits are read only and return 0s when read.

prefetchable memory base register

| Bit | 15 | 14 | 13 | 12 | 11 | 10 | 9 | 8 | 7 | 6 | 5 | 4 | 3 | 2 | 1 | 0 |
|---------|--------------------------|-----|-----|-----|-----|-----|-----|-----|-----|-----|-----|-----|---|---|---|---|
| Name | Prefetchable memory base | | | | | | | | | | | | | | | |
| Type | R/W | R/W | R/W | R/W | R/W | R/W | R/W | R/W | R/W | R/W | R/W | R/W | R | R | R | R |
| Default | 0 | 0 | 0 | 0 | 0 | 0 | 0 | 0 | 0 | 0 | 0 | 0 | 0 | 0 | 0 | 0 |

Register: **Prefetchable memory base**

Type: Read only, read/write

Offset: 24h

Default: 0000h

Description: The prefetchable memory base register defines the base address of a prefetchable memory address range used by the bridge to determine when to forward memory transactions from one interface to the other. The upper 12 bits of this register are read/write and correspond to the address bits AD31–AD20. The lower 20 address bits are considered 0; thus, the address range is aligned to a 1M-byte boundary. The bottom four bits are read only and return 0s when read.



prefetchable memory limit register

| Bit | 15 | 14 | 13 | 12 | 11 | 10 | 9 | 8 | 7 | 6 | 5 | 4 | 3 | 2 | 1 | 0 |
|---------|---------------------------|-----|-----|-----|-----|-----|-----|-----|-----|-----|-----|-----|---|---|---|---|
| Name | Prefetchable memory limit | | | | | | | | | | | | | | | |
| Type | R/W | R/W | R/W | R/W | R/W | R/W | R/W | R/W | R/W | R/W | R/W | R/W | R | R | R | R |
| Default | 0 | 0 | 0 | 0 | 0 | 0 | 0 | 0 | 0 | 0 | 0 | 0 | 0 | 0 | 0 | 0 |

Register: **Prefetchable memory limit**

Type: Read only, read/write

Offset: 26h

Default: 0000h

Description: The prefetchable memory limit register defines the upper-limit address of a prefetchable memory address range used to determine when to forward memory transactions from one interface to the other. The upper 12 bits of this register are read/write and correspond to the address bits AD31–AD20. The lower 20 address bits are considered 1s; thus, the address range is aligned to a 1M-byte boundary. The bottom four bits are read only and return 0s when read.

prefetchable base upper 32-bits register

| Bit | 31 | 30 | 29 | 28 | 27 | 26 | 25 | 24 | 23 | 22 | 21 | 20 | 19 | 18 | 17 | 16 |
|---------|---------------------------------|----|----|----|----|----|----|----|----|----|----|----|----|----|----|----|
| Name | Prefetchable base upper 32 bits | | | | | | | | | | | | | | | |
| Type | R | R | R | R | R | R | R | R | R | R | R | R | R | R | R | R |
| Default | 0 | 0 | 0 | 0 | 0 | 0 | 0 | 0 | 0 | 0 | 0 | 0 | 0 | 0 | 0 | 0 |
| Bit | 15 | 14 | 13 | 12 | 11 | 10 | 9 | 8 | 7 | 6 | 5 | 4 | 3 | 2 | 1 | 0 |
| Name | Prefetchable base upper 32 bits | | | | | | | | | | | | | | | |
| Type | R | R | R | R | R | R | R | R | R | R | R | R | R | R | R | R |
| Default | 0 | 0 | 0 | 0 | 0 | 0 | 0 | 0 | 0 | 0 | 0 | 0 | 0 | 0 | 0 | 0 |

Register: **Prefetchable base upper 32 bits**

Type: Read only

Offset: 28h

Default: 0000 0000h

Description: The PCI2031 does not support 64-bit addressing; thus, the prefetchable base upper 32-bit register is read only and returns 0s when read.

prefetchable limit upper 32-bits register

| Bit | 31 | 30 | 29 | 28 | 27 | 26 | 25 | 24 | 23 | 22 | 21 | 20 | 19 | 18 | 17 | 16 |
|---------|----------------------------------|----|----|----|----|----|----|----|----|----|----|----|----|----|----|----|
| Name | Prefetchable limit upper 32 bits | | | | | | | | | | | | | | | |
| Type | R | R | R | R | R | R | R | R | R | R | R | R | R | R | R | R |
| Default | 0 | 0 | 0 | 0 | 0 | 0 | 0 | 0 | 0 | 0 | 0 | 0 | 0 | 0 | 0 | 0 |
| Bit | 15 | 14 | 13 | 12 | 11 | 10 | 9 | 8 | 7 | 6 | 5 | 4 | 3 | 2 | 1 | 0 |
| Name | Prefetchable limit upper 32 bits | | | | | | | | | | | | | | | |
| Type | R | R | R | R | R | R | R | R | R | R | R | R | R | R | R | R |
| Default | 0 | 0 | 0 | 0 | 0 | 0 | 0 | 0 | 0 | 0 | 0 | 0 | 0 | 0 | 0 | 0 |

Register: **Prefetchable limit upper 32 bits**

Type: Read only

Offset: 2Ch

Default: 0000 0000h

Description: The PCI2031 does not support 64-bit addressing; thus the prefetchable limit upper 32-bit register is read only and returns 0s when read.



PCI2031

PCI-TO-PCI BRIDGE

SCPS017A – DECEMBER 1997 – REVISED JANUARY 1998

I/O base upper 16-bits register

| Bit | 15 | 14 | 13 | 12 | 11 | 10 | 9 | 8 | 7 | 6 | 5 | 4 | 3 | 2 | 1 | 0 |
|---------|------------------------|-----|-----|-----|-----|-----|-----|-----|-----|-----|-----|-----|-----|-----|-----|-----|
| Name | I/O base upper 16 bits | | | | | | | | | | | | | | | |
| Type | R/W | R/W | R/W | R/W | R/W | R/W | R/W | R/W | R/W | R/W | R/W | R/W | R/W | R/W | R/W | R/W |
| Default | 0 | 0 | 0 | 0 | 0 | 0 | 0 | 0 | 0 | 0 | 0 | 0 | 0 | 0 | 0 | 0 |

Register: **I/O base upper 16 bits**

Type: Read only

Offset: 30h

Default: 0000h

Description: The I/O base upper 16-bits register specifies the upper 16 bits corresponding to AD31–AD16 of the 32-bit address that specifies the base of the I/O range to forward from the primary PCI bus to the secondary PCI bus.

I/O limit upper 16-bits register

| Bit | 15 | 14 | 13 | 12 | 11 | 10 | 9 | 8 | 7 | 6 | 5 | 4 | 3 | 2 | 1 | 0 |
|---------|-------------------------|-----|-----|-----|-----|-----|-----|-----|-----|-----|-----|-----|-----|-----|-----|-----|
| Name | I/O limit upper 16 bits | | | | | | | | | | | | | | | |
| Type | R/W | R/W | R/W | R/W | R/W | R/W | R/W | R/W | R/W | R/W | R/W | R/W | R/W | R/W | R/W | R/W |
| Default | 0 | 0 | 0 | 0 | 0 | 0 | 0 | 0 | 0 | 0 | 0 | 0 | 0 | 0 | 0 | 0 |

Register: **I/O limit upper 16 bits**

Type: Read only

Offset: 32h

Default: 0000h

Description: The I/O limit upper 16-bits register specifies the upper 16 bits corresponding to AD31–AD16 of the 32-bit address that specifies the upper limit of the I/O range to forward from the primary PCI bus to the secondary PCI bus.

capability pointer register

| Bit | 7 | 6 | 5 | 4 | 3 | 2 | 1 | 0 |
|---------|-----------------------------|---|---|---|---|---|---|---|
| Name | Capability pointer register | | | | | | | |
| Type | R | R | R | R | R | R | R | R |
| Default | 1 | 0 | 0 | 0 | 0 | 0 | 0 | 0 |

Register: **capability pointer**

Type: Read only

Offset: 34h

Default: 80h

Description: The capability pointer register provides the pointer to the PCI configuration header where the PCI power management register block resides. The capability pointer provides access to the first item in the linked list of capabilities. The capability pointer register is read only and returns 80h when read, indicating the power management registers are located at PCI header offset 80h.



expansion ROM base address register

| | | | | | | | | | | | | | | | | |
|---------|----------------------------|----|----|----|----|----|----|----|----|----|----|----|----|----|----|----|
| Bit | 31 | 30 | 29 | 28 | 27 | 26 | 25 | 24 | 23 | 22 | 21 | 20 | 19 | 18 | 17 | 16 |
| Name | Expansion ROM base address | | | | | | | | | | | | | | | |
| Type | R | R | R | R | R | R | R | R | R | R | R | R | R | R | R | R |
| Default | 0 | 0 | 0 | 0 | 0 | 0 | 0 | 0 | 0 | 0 | 0 | 0 | 0 | 0 | 0 | 0 |
| Bit | 15 | 14 | 13 | 12 | 11 | 10 | 9 | 8 | 7 | 6 | 5 | 4 | 3 | 2 | 1 | 0 |
| Name | Expansion ROM base address | | | | | | | | | | | | | | | |
| Type | R | R | R | R | R | R | R | R | R | R | R | R | R | R | R | R |
| Default | 0 | 0 | 0 | 0 | 0 | 0 | 0 | 0 | 0 | 0 | 0 | 0 | 0 | 0 | 0 | 0 |

Register: **Expansion ROM base address**

Type: Read only

Offset: 38h

Default: 0000 0000h

Description: The PCI2031 does not implement the expansion ROM remapping feature. The expansion ROM base address register returns all 0s when read.

interrupt line register

| | | | | | | | | |
|---------|----------------|-----|-----|-----|-----|-----|-----|-----|
| Bit | 7 | 6 | 5 | 4 | 3 | 2 | 1 | 0 |
| Name | Interrupt line | | | | | | | |
| Type | R/W | R/W | R/W | R/W | R/W | R/W | R/W | R/W |
| Default | 1 | 1 | 1 | 1 | 1 | 1 | 1 | 1 |

Register: **Interrupt line**

Type: Read/write

Offset: 3Ch

Default: FFh

Description: The interrupt line register is read/write and is used to communicate interrupt line routing information. Since the bridge does not implement an interrupt signal pin, this register defaults to FFh.

interrupt pin register

| | | | | | | | | |
|---------|---------------|---|---|---|---|---|---|---|
| Bit | 7 | 6 | 5 | 4 | 3 | 2 | 1 | 0 |
| Name | Interrupt pin | | | | | | | |
| Type | R | R | R | R | R | R | R | R |
| Default | 0 | 0 | 0 | 0 | 0 | 0 | 0 | 0 |

Register: **Interrupt pin**

Type: Read only

Offset: 3Dh

Default: 00h

Description: The bridge default state does not implement any interrupt pins. Reads from bits 7–1 of this register return 0s. When docking support is enabled, bit 0 of this register is 1 and bits 7–1 are 0.

NOTE:

When docking support is enabled, bit 0 is 1. P_GPIO0 should be routed to $\overline{\text{INTA}}$ on the system board for docking interrupt support.

PCI2031 PCI-TO-PCI BRIDGE

SCPS017A – DECEMBER 1997 – REVISED JANUARY 1998

bridge control register

| Bit | 15 | 14 | 13 | 12 | 11 | 10 | 9 | 8 | 7 | 6 | 5 | 4 | 3 | 2 | 1 | 0 |
|---------|----------------|----|----|----|----|----|---|---|---|-----|-----|---|-----|-----|-----|-----|
| Name | Bridge control | | | | | | | | | | | | | | | |
| Type | R | R | R | R | R | R | R | R | R | R/W | R/W | R | R/W | R/W | R/W | R/W |
| Default | 0 | 0 | 0 | 0 | 0 | 0 | 1 | 1 | 0 | 1 | 0 | 0 | 0 | 0 | 0 | 0 |

Register: **Bridge control**

Type: Read only, read/write (see individual bit descriptions)

Offset: 3Eh

Default: 0000h

Description: The bridge control register provides many of the same controls for the secondary interface that are provided by the command register for the primary interface. Some bits affect the operation of both interfaces.

Table 7. Bridge Control Register

| BIT | TYPE | FUNCTION |
|------|------|---|
| 15–8 | R | Reserved. These bits are read only and return 0s when read. |
| 7 | R | Fast back-to-back capable. The bridge never generates fast back-to-back transactions to different secondary devices. |
| 6 | R/W | Secondary bus reset. When bit 6 is set, the secondary reset signal ($\overline{S_RST}$) is asserted. $\overline{S_RST}$ is deasserted by resetting this bit. Bit 6 is encoded as: 0 = Do not force the assertion of $\overline{S_RST}$ (default). 1 = Force the assertion of $\overline{S_RST}$. |
| 5 | R/W | Master abort mode. Bit 5 controls how the bridge responds to a master abort that occurs on either interface when the bridge is the master. If this bit is set and the posted write transaction has completed on the requesting interface, if enabled $\overline{P_SERR}$ is asserted when a master abort occurs. If the transaction has not completed, a target abort is signaled. If the bit is cleared, all 1s are returned on reads, and write data is accepted and discarded when a transaction that crosses the bridge is terminated with master abort. The default state of bit 5 after a reset is 0. 0 = Do not report master aborts (return FFFF FFFFh on reads and discard data on writes) (default). 1 = Report master aborts by signaling target abort if possible, or if \overline{SERR} is enabled via bit 1 of this register, by asserting \overline{SERR} . |
| 4 | R | Reserved. Returns 0 when read. Writes have no effect. |
| 3 | R/W | VGA enable. When bit 3 is set, the bridge positively decodes and forwards VGA-compatible memory addresses in the video frame buffer range 000A0000h–000BFFFFh, I/O addresses in the range 03B0h–03BBh, and 03C0–03DFh from the primary to the secondary interface, independent of the I/O and memory address ranges. When this bit is set, the bridge blocks forwarding of these addresses from the secondary to the primary. Reset clears this bit. Bit 3 is encoded as: 0 = Do not forward VGA-compatible memory and I/O addresses from the primary to the secondary interface. (default). 1 = Forward VGA-compatible memory and I/O addresses from the primary to the secondary, independent of the I/O and memory address ranges and independent of the ISA enable bit. |
| 2 | R/W | ISA enable. When bit 2 is set, the bridge blocks the forwarding of ISA I/O transactions from the primary to the secondary, addressing the last 768 bytes in each 1K-byte block. This applies only to the addresses (defined by the I/O window registers) that are located in the first 64K bytes of PCI I/O address space. From the secondary to the primary, I/O transactions are forwarded if they address the last 768 bytes in each 1K-byte block in the address range specified in the I/O window registers. Bit 2 is encoded as: 0 = Forward all I/O addresses in the address range defined by the I/O base and I/O limit registers (default). 1 = Block forwarding of ISA I/O addresses in the address range defined by the I/O base and I/O limit registers when these I/O addresses are in the first 64K bytes of PCI I/O address space and address the top 768 bytes of each 1K-byte block. |
| 1 | R/W | \overline{SERR} enable. Bit 1 controls the forwarding of secondary interface \overline{SERR} assertions to the primary interface. Only when this bit is set will the bridge forward $\overline{S_SERR}$ to the primary bus signal $\overline{P_SERR}$. For the primary interface to assert \overline{SERR} , bit 8 of the command register must be set. 0 = \overline{SERR} disabled (default) 1 = \overline{SERR} enabled |
| 0 | R/W | Parity error response enable. Bit 0 controls the bridge's response to parity errors on the secondary interface. When this bit is set, the bridge asserts $\overline{S_PERR}$ to report parity errors on the secondary interface. 0 = Ignore address and parity errors on the secondary interface (default). 1 = Enable parity error reporting and detection on the secondary interface. |

PCI2031

PCI-TO-PCI BRIDGE

SCPS017A – DECEMBER 1997 – REVISED JANUARY 1998

extension registers

The TI extension registers are those registers that lie outside the standard PCI-to-PCI bridge device configuration space (i.e., registers 40h–FFh in PCI configuration space in the PCI2031). These registers can be accessed through configuration reads and writes. The TI extension registers add flexibility and performance benefits to the standard PCI-to-PCI bridge.

subsystem vendor ID register

| Bit | 15 | 14 | 13 | 12 | 11 | 10 | 9 | 8 | 7 | 6 | 5 | 4 | 3 | 2 | 1 | 0 |
|---------|------------------|-----|-----|-----|-----|-----|-----|-----|-----|-----|-----|-----|-----|-----|-----|-----|
| Name | Subsystem vendor | | | | | | | | | | | | | | | |
| Type | R/W | R/W | R/W | R/W | R/W | R/W | R/W | R/W | R/W | R/W | R/W | R/W | R/W | R/W | R/W | R/W |
| Default | 0 | 0 | 0 | 0 | 0 | 0 | 0 | 0 | 0 | 0 | 0 | 0 | 0 | 0 | 0 | 0 |

Register: **Subsystem vendor ID**

Type: Read/write

Offset: 40–41h

Default: 0000h

Description: The subsystem vendor ID register is read/write and has a default value of 0000h. An add-in card manufacturer using the PCI2031 may write to this register via a device driver for identification purposes. Optionally, this register can also be loaded from EEPROM by the serial EEPROM interface. In this case, device drivers should not overwrite this value.

subsystem ID register

| Bit | 15 | 14 | 13 | 12 | 11 | 10 | 9 | 8 | 7 | 6 | 5 | 4 | 3 | 2 | 1 | 0 |
|---------|--------------|-----|-----|-----|-----|-----|-----|-----|-----|-----|-----|-----|-----|-----|-----|-----|
| Name | Subsystem ID | | | | | | | | | | | | | | | |
| Type | R/W | R/W | R/W | R/W | R/W | R/W | R/W | R/W | R/W | R/W | R/W | R/W | R/W | R/W | R/W | R/W |
| Default | 0 | 0 | 0 | 0 | 0 | 0 | 0 | 0 | 0 | 0 | 0 | 0 | 0 | 0 | 0 | 0 |

Register: **Subsystem ID**

Type: Read only

Offset: 42h–43h

Default: 0000h

Description: The subsystem ID register is read/write and has a default value of 0000h. An add-in card manufacturer using the PCI2031 may write to this register via a device driver for identification purposes. Optionally, this register can also be loaded from EEPROM by the serial EEPROM interface. In this case, device drivers should not overwrite this value.



extension window base registers 0,1

| | | | | | | | | | | | | | | | | |
|---------|---------------------------|-----|-----|-----|-----|-----|-----|-----|-----|-----|-----|-----|-----|-----|-----|-----|
| Bit | 31 | 30 | 29 | 28 | 27 | 26 | 25 | 24 | 23 | 22 | 21 | 20 | 19 | 18 | 17 | 16 |
| Name | Extension window base 0,1 | | | | | | | | | | | | | | | |
| Type | R/W | R/W | R/W | R/W | R/W | R/W | R/W | R/W | R/W | R/W | R/W | R/W | R/W | R/W | R/W | R/W |
| Default | 0 | 0 | 0 | 0 | 0 | 0 | 0 | 0 | 0 | 0 | 0 | 0 | 0 | 0 | 0 | 0 |
| Bit | 15 | 14 | 13 | 12 | 11 | 10 | 9 | 8 | 7 | 6 | 5 | 4 | 3 | 2 | 1 | 0 |
| Name | Extension window base 0,1 | | | | | | | | | | | | | | | |
| Type | R/W | R/W | R/W | R/W | R/W | R/W | R/W | R/W | R/W | R/W | R/W | R/W | R/W | R/W | R | R |
| Default | 0 | 0 | 0 | 0 | 0 | 0 | 0 | 0 | 0 | 0 | 0 | 0 | 0 | 0 | 0 | 0 |

Register: **Extension window base 0, 1**

Type: Read only, read/write

Offset: 44h, 4Ch

Default: 0000 0000h

Description: The bridge supports two extension windows that define an address range decoded as described in the window enable register and window map register. The extension window base registers define the 32-bit base address of the window.

extension window limit registers 0,1

| | | | | | | | | | | | | | | | | |
|---------|----------------------------|-----|-----|-----|-----|-----|-----|-----|-----|-----|-----|-----|-----|-----|-----|-----|
| Bit | 31 | 30 | 29 | 28 | 27 | 26 | 25 | 24 | 23 | 22 | 21 | 20 | 19 | 18 | 17 | 16 |
| Name | Extension window limit 0,1 | | | | | | | | | | | | | | | |
| Type | R/W | R/W | R/W | R/W | R/W | R/W | R/W | R/W | R/W | R/W | R/W | R/W | R/W | R/W | R/W | R/W |
| Default | 0 | 0 | 0 | 0 | 0 | 0 | 0 | 0 | 0 | 0 | 0 | 0 | 0 | 0 | 0 | 0 |
| Bit | 15 | 14 | 13 | 12 | 11 | 10 | 9 | 8 | 7 | 6 | 5 | 4 | 3 | 2 | 1 | 0 |
| Name | Extension window limit 0,1 | | | | | | | | | | | | | | | |
| Type | R/W | R/W | R/W | R/W | R/W | R/W | R/W | R/W | R/W | R/W | R/W | R/W | R/W | R/W | R/W | R/W |
| Default | 0 | 0 | 0 | 0 | 0 | 0 | 0 | 0 | 0 | 0 | 0 | 0 | 0 | 0 | 0 | 0 |

Register: **Extension window limit 0, 1**

Type: Read/write

Offset: 48h, 50h

Default: 0000 0000h

Description: The bridge supports two extension windows. Each window defines an address range that is decoded as described in the window enable register and window map register. The extension window limit registers define the 32-bit limit address of the window.

Bits 0 and 1 of this register determine whether the extension window is a prefetchable memory window, a nonprefetchable window, or an I/O window. These bits are encoded as:

00 = Nonprefetchable memory

01 = Prefetchable memory

1x = I/O

Memory windows have a 4K-byte granularity and I/O windows have a double-word (4 byte) granularity. When a memory window is selected, bits 11–2 have no effect and are assumed to be 1s for the limit register and 0s for the base register. This is consistent with the 4K-byte granularity of the memory windows.

PCI2031

PCI-TO-PCI BRIDGE

SCPS017A – DECEMBER 1997 – REVISED JANUARY 1998

SERR control register

| Bit | 7 | 6 | 5 | 4 | 3 | 2 | 1 | 0 |
|---------|--------------|---|-----|-----|-----|-----|-----|-----|
| Name | SERR control | | | | | | | |
| Type | R | R | R/W | R/W | R/W | R/W | R/W | R/W |
| Default | 0 | 0 | 0 | 1 | 1 | 1 | 1 | 0 |

Register: **SERR control**
 Type: Read only, read/write (see individual bit descriptions)
 Offset: 60h
 Default: 0Eh
 Description: The system error (SERR) control register enables SERR reporting. The SERR status register (configuration offset 61h) reflects the status of each bit in the SERR control register.

Table 8. SERR Control Register

| BIT | TYPE | FUNCTION |
|-----|------|---|
| 7-6 | R | Reserved |
| 5 | R/W | Data parity error. When set, bit 5 enables PERR reporting on transactions involving data parity errors when the bridge is mastering the bus. This bit should be enabled only when the bridge is configured for fixing parity errors. 0 = Data parity error when bridge is mastering disabled (default) 1 = Data parity error when bridge is mastering enabled |
| 4 | R/W | Discard timeout on nonprefetchable reads. When set, bit 4 enables SERR reporting when the discard timer expires on nonprefetchable reads. 0 = Discard timeout disabled 1 = Discard timeout enabled (default) |
| 3 | R/W | Master abort on posted write transactions. When set, bit 3 enables SERR reporting on master aborts on posted write transactions. 0 = Master aborts on posted writes disabled 1 = Master aborts on posted writes enabled (default) |
| 2 | R/W | Target abort on posted writes. When set, bit 2 enables SERR reporting on target aborts on posted write transactions. 0 = Target aborts on posted writes disabled 1 = Target aborts on posted writes enabled (default) |
| 1 | R/W | Parity error on posted writes. When set, bit 1 enables SERR reporting when a parity error occurs during a posted write transaction. 0 = Parity error on posted writes 1 = Parity error on posted writes (default) |
| 0 | R/W | Arbiter timeout. When set, bit 0 enables SERR reporting when the arbiter timer expires (times out). 0 = SERR on arbiter timeout disabled (default) 1 = SERR on arbiter timeout enabled |



SERR status register

| | | | | | | | | |
|----------------|-------------|----------|----------|----------|----------|----------|----------|----------|
| Bit | 7 | 6 | 5 | 4 | 3 | 2 | 1 | 0 |
| Name | SERR status | | | | | | | |
| Type | R | R | R | R | R | R | R | R |
| Default | 0 | 0 | 0 | 0 | 0 | 0 | 0 | 0 |

Register: **SERR status**
 Type: Read only (see individual bit descriptions)
 Offset: 61h
 Default: 00h
 Description: The SERR status register reflects the status of the SERR control register.

Table 9. SERR Status Register

| BIT | TYPE | FUNCTION |
|-----|------|---|
| 7 | R | Master timeout SERR status. When set, bit 7 indicates that SERR has occurred due to a master timeout. The master retry enable bit (bit 15 of the diagnostic register) also enables the SERR response. Writing a 1 to this bit clears it. 0 = No SERR (default) 1 = Master timeout has caused SERR |
| 6 | R | Address parity error SERR status. When set, bit 6 indicates that SERR has occurred due to an address parity error. Writing a 1 to this bit clears it. 0 = No SERR (default) 1 = Address parity error has caused SERR |
| 5 | R | Data parity error SERR status. When set, bit 5 indicates that SERR has occurred on a transaction involving data parity errors while the bridge was mastering the bus. Writing a 1 to this bit clears it. 0 = No SERR (default) 1 = Data parity error while bridge was mastering has caused SERR |
| 4 | R | Discard timeout on nonprefetchable reads SERR status. When set, bit 4 indicates that SERR has occurred due to expiration of the discard timer on nonprefetchable reads. Writing a 1 to this bit clears it. 0 = No SERR (default) 1 = Discard timeout enabled has caused an SERR |
| 3 | R | Master abort on posted write transactions SERR status. When set, bit 3 indicates that SERR has occurred due to a master abort on a posted write transaction. Writing a 1 to this bit clears it. 0 = No SERR (default) 1 = SERR occurred due to a master abort on a posted write transaction |
| 2 | R | Target abort on posted writes SERR status. When set, bit 2 indicates that SERR has occurred due to a target abort on a posted write transaction. Writing a 1 to this bit clears it. 0 = No SERR (default) 1 = SERR occurred due to a target abort on a posted write transaction |
| 1 | R | Parity error on posted writes SERR status. When set, bit 1 indicates that SERR has occurred due to a parity error during a posted write transaction. Writing a 1 to this bit clears it. 0 = No SERR (default) 1 = SERR occurred due to a parity error during a posted write transaction |
| 0 | R | Arbiter timeout SERR status. When set, bit 0 indicates that SERR has occurred due to the expiration of the arbiter timer. Writing a 1 to this bit clears it. 0 = No SERR (default) 1 = SERR occurred due to an arbiter timeout |

PCI2031

PCI-TO-PCI BRIDGE

SCPS017A – DECEMBER 1997 – REVISED JANUARY 1998

extension window enable register

| | | | | | | | | |
|---------|-------------------------|---|---|---|---|---|-----|-----|
| Bit | 7 | 6 | 5 | 4 | 3 | 2 | 1 | 0 |
| Name | Extension window enable | | | | | | | |
| Type | R | R | R | R | R | R | R/W | R/W |
| Default | 0 | 0 | 0 | 0 | 0 | 0 | 0 | 0 |

Register: **Extension window enable**
 Type: Read only, read/write (see individual bit descriptions)
 Offset: 64h
 Default: 00h
 Description: The decode of the extension windows is enabled through bits 0 and 1 of this register.

Table 10. Extension Window Enable Register

| BIT | TYPE | FUNCTION |
|-----|------|--|
| 7-2 | R | Reserved |
| 1 | R/W | Extension window 1 interface enable 0 – Disable window 1 (default) 1 – Enable window 1 |
| 0 | R/W | Extension window 0 interface enable 0 – Disable window 0 (default) 1 – Enable window 0 |

extension window map register

| | | | | | | | | |
|---------|----------------------|---|---|---|---|---|-----|-----|
| Bit | 7 | 6 | 5 | 4 | 3 | 2 | 1 | 0 |
| Name | Extension window map | | | | | | | |
| Type | R | R | R | R | R | R | R/W | R/W |
| Default | 0 | 0 | 0 | 0 | 0 | 0 | 0 | 0 |

Register: **Extension window map**
 Type: Read only, read/write (see individual bit descriptions)
 Offset: 65h
 Default: 00h
 Description: The inclusion or exclusion of the extension windows on the primary interface is selected through bits 0 and 1 of this register. The bit descriptions discuss the decode in reference to the primary interface. The secondary interface is the negative decode of the primary interface. Regions excluded on the primary interface can be positively decoded on the secondary interface if negative decoding is disabled on the secondary interface.

Table 11. Extension Window Map Register

| BIT | TYPE | FUNCTION |
|-----|------|--|
| 7-2 | R | Reserved |
| 1 | R/W | Extension window 1 interface include/exclude 0 = Extension window 1 included in primary interface decode (default) 1 = Extension window 1 excluded in primary interface decode |
| 0 | R/W | Extension window 0 interface include/exclude 0 = Extension window 0 included in primary interface decode (default) 1 = Extension window 0 excluded in primary interface decode |



secondary decode control register

| | | | | | | | | |
|---------|--------------------------|---|---|---|---|-----|-----|-----|
| Bit | 7 | 6 | 5 | 4 | 3 | 2 | 1 | 0 |
| Name | Secondary decode control | | | | | | | |
| Type | R | R | R | R | R | R/W | R/W | R/W |
| Default | 0 | 0 | 0 | 0 | 0 | 1 | 1 | 0 |

Register: **Secondary decode control**
 Type: Read only, read/write (see individual bit descriptions)
 Offset: 66h
 Default: 06h
 Description: The secondary decode control register is used to enable/disable the secondary-bus negative decoding, and only through this register can an extension window be defined for positive decoding or excluded from negative decoding from the secondary bus to the primary bus. The window interface bits in the window control registers must be set for the extension window definitions in this register to have meaning.

Table 12. Secondary Decode Control Register

| BIT | TYPE | FUNCTION |
|-----|------|--|
| 7-3 | R | Reserved |
| 2 | R/W | Secondary-bus subtractive decode speed. The bridge defaults to subtractive decoding after slow decode speed (four clocks after FRAME is asserted). Bit 0 must be set to enable subtractive decoding. When bit 0 and this bit are set, subtractive decoding is enabled at slow decode speed. This bit is encoded as: 0 = Selects normal subtractive decode speed. 1 = Selects subtractive decode in the slow decode time slot (default). |
| 1 | R/W | Secondary bus negative decode enable. The bridge defaults to negative decoding on the secondary PCI bus. All transactions that do not fall into windows positively decoded from the primary to the secondary are passed through to the primary bus. This bit is encoded as: 0 = Disable secondary-bus negative decoding. 1 = Enable secondary-bus negative decoding (default). |
| 0 | R/W | Secondary-bus subtractive decode enable. The bridge defaults to negative decoding on the secondary PCI bus. When bit 0 is set, the bridge uses subtractive decoding on the secondary bus. When the bridge is using negative decoding on the secondary, all transactions not claimed by a slow device on the secondary bus are passed through the bridge to the primary bus. This bit is encoded as: 0 = Disable secondary bus subtractive decoding (default). 1 = Enable secondary bus subtractive decoding. |

primary decode control register

| | | | | | | | | |
|---------|------------------------|---|---|---|---|---|-----|-----|
| Bit | 7 | 6 | 5 | 4 | 3 | 2 | 1 | 0 |
| Name | Primary decode control | | | | | | | |
| Type | R | R | R | R | R | R | R/W | R/W |
| Default | 0 | 0 | 0 | 0 | 0 | 0 | 0 | 0 |

Register: **Primary decode control**
 Type: Read only, read/write (see individual bit descriptions)
 Offset: 67h
 Default: 00h
 Description: The primary decode control register is used to enable and disable the primary-bus subtractive decoding and to select the primary-bus subtractive decode speed. The bridge defaults to primary-bus subtractive decoding disabled (bit 0 is cleared).

PCI2031 PCI-TO-PCI BRIDGE

SCPS017A – DECEMBER 1997 – REVISED JANUARY 1998

Table 13. Primary Decode Control Register

| BIT | TYPE | FUNCTION |
|-----|------|---|
| 7-2 | R | Reserved |
| 1 | R/W | Primary-bus subtractive decode speed. The bridge defaults to subtractive decoding after slow decode speed (four clocks after $\overline{\text{FRAME}}$ is asserted). Bit 0 must be set to enable subtractive decoding. When bit 0 and this bit are set, subtractive decoding is enabled at slow decode speed. This bit is encoded as: 0 = Selects normal subtractive decode speed on primary bus (default). 1 = Selects subtractive decode in the slow decode time slot on the primary bus. |
| 0 | R/W | Primary-bus subtractive decode enable. The bridge defaults to subtractive decoding disabled from the primary to secondary PCI bus. Each PCI bus can have only one subtractive decode device. 0 = Disable primary bus subtractive decoding (default) 1 = Enable primary bus subtractive decoding |

port decode enable register

| Bit | 15 | 14 | 13 | 12 | 11 | 10 | 9 | 8 | 7 | 6 | 5 | 4 | 3 | 2 | 1 | 0 |
|---------|--------------------|----|----|----|----|----|---|---|---|-----|-----|-----|-----|-----|-----|-----|
| Name | Port decode enable | | | | | | | | | | | | | | | |
| Type | R | R | R | R | R | R | R | R | R | R/W | R/W | R/W | R/W | R/W | R/W | R/W |
| Default | 0 | 0 | 0 | 0 | 0 | 0 | 0 | 0 | 0 | 0 | 0 | 0 | 0 | 0 | 0 | 0 |

Register: **Port decode enable**
 Type: Read only, read/write (see individual bit descriptions)
 Offset: 68h–69h
 Default: 0000h
 Description: The port decode enable register is used to select which serial and parallel port addresses are positively decoded from the bridge's primary bus to the secondary bus.

Table 14. Port Decode Enable Register

| BIT | TYPE | FUNCTION |
|------|------|---|
| 15-7 | R | Reserved. |
| 6 | R/W | LPT3 enable. When bit 6 is set, the address ranges 278h–27Fh and 678h–67Bh are positively decoded and the cycles passed to the secondary bus based on the setting of bit 6 of the port decode map register. |
| 5 | R/W | LPT2 enable. When bit 5 is set, the address ranges 378h–37Fh and 778h–77Bh are positively decoded and the cycles passed to the secondary bus based on the setting of bit 5 of the port decode map register. |
| 4 | R/W | LPT1 enable. When bit 4 is set, the address ranges 3BCh–3BFh and 7BCh–7BFh are positively decoded and the cycles passed to the secondary bus based on the setting of bit 4 of the port decode map register. |
| 3 | R/W | COM4 enable. When bit 3 is set, the address range 2E8h–2EFh is positively decoded and the cycles passed to the secondary bus based on the setting of bit 3 of the port decode map register. |
| 2 | R/W | COM3 enable. When bit 2 is set, the address range 3E8h–3EFh is positively decoded and the cycles passed to the secondary bus based on the setting of bit 2 of the port decode map register. |
| 1 | R/W | COM2 enable. When bit 1 is set, the address range 2F8h–2FFh is positively decoded and the cycles passed to the secondary bus based on the setting of bit 1 of the port decode map register. |
| 0 | R/W | COM1 enable. When bit 0 is set, the address range 3F8h–3FFh is positively decoded and the cycles passed to the secondary bus based on the setting of bit 0 of the port decode map register. |



port decode map register

| Bit | 15 | 14 | 13 | 12 | 11 | 10 | 9 | 8 | 7 | 6 | 5 | 4 | 3 | 2 | 1 | 0 |
|---------|-----------------|----|----|----|----|----|---|---|---|-----|-----|-----|-----|-----|-----|-----|
| Name | Port decode map | | | | | | | | | | | | | | | |
| Type | R | R | R | R | R | R | R | R | R | R/W | R/W | R/W | R/W | R/W | R/W | R/W |
| Default | 0 | 0 | 0 | 0 | 0 | 0 | 0 | 0 | 0 | 0 | 0 | 0 | 0 | 0 | 0 | 0 |

Register: **Port decode map**

Type: Read only, read/write (see individual bit descriptions)

Offset: 6Ah–6Bh

Default: 0000h

Description: The port decode map register is used to select whether the serial- and parallel-port address ranges positively decoded from the primary bridge interface to the secondary interface are included or excluded from the primary interface. For example, if bit 0 is set, addresses in the range of 3F8h–3FFh are positively decoded on the primary bus. If bit 0 is cleared and an I/O window is enabled that covers the range from 3F8h–3FFh, these addresses are claimed by the bridge.

Table 15. Port Decode Map Register

| BIT | TYPE | FUNCTION |
|------|------|--|
| 15–7 | R | Reserved |
| 6 | R/W | LPT3 include/exclude. Bit 6 is encoded as: 0 = 278h–27Fh and 678h–67Bh excluded from the primary bus (default) 1 = 278h–27Fh and 678h–67Bh positively decoded on the primary bus |
| 5 | R/W | LPT2 include/exclude. Bit 5 is encoded as: 0 = 378h–37Fh and 778h–77Bh excluded from the primary bus (default) 1 = 378h–37Fh and 778h–77Bh positively decoded on the primary bus |
| 4 | R/W | LPT1 include/exclude. Bit 4 is encoded as: 0 = 3BCh–3BFh and 7BCh–7BFh excluded from the primary bus (default) 1 = 3BCh–3BFh and 7BCh–7BFh positively decoded on the primary bus |
| 3 | R/W | COM4 include/exclude. Bit 3 is encoded as: 0 = 2E8h–2EFh excluded from the primary bus (default) 1 = 2E8h–2EFh positively decoded on the primary bus |
| 2 | R/W | COM3 include/exclude. Bit 2 is encoded as: 0 = 3E8h–3EFh excluded from the primary bus (default) 1 = 3E8h–3EFh positively decoded on the primary bus |
| 1 | R/W | COM2 include/exclude. Bit 1 is encoded as: 0 = 2F8h–2FFh excluded from the primary bus (default) 1 = 2F8h–2FFh positively decoded on the primary bus |
| 0 | R/W | COM1 include/exclude. Bit 0 is encoded as: 0 = 3F8h–3FFh excluded from the primary bus (default) 1 = 3F8h–3FFh positively decoded on the primary bus |

PCI2031

PCI-TO-PCI BRIDGE

SCPS017A – DECEMBER 1997 – REVISED JANUARY 1998

secondary clock/arbiter disable register

| Bit | 7 | 6 | 5 | 4 | 3 | 2 | 1 | 0 |
|---------|---------------------------------|-----|-----|-----|-----|-----|-----|-----|
| Name | Secondary clock/arbiter disable | | | | | | | |
| Type | R/W | R/W | R/W | R/W | R/W | R/W | R/W | R/W |
| Default | 0 | 0 | 0 | 0 | 0 | 0 | 0 | 0 |

Register: **Secondary clock/arbiter disable**
 Type: Read/write (see individual bit descriptions)
 Offset: 6Ch
 Default: 00h
 Description: The secondary clock/arbiter disable register is used to disable each external clock to the secondary bus. Writing a 1 to the register bit forces the corresponding clock output low. This register is also used to disable the bridge's internal secondary bus arbiter.

Table 16. Secondary Clock/Arbiter Disable Register

| BIT | TYPE | FUNCTION |
|-----|------|---|
| 7 | R/W | Arbiter performance-enhancement feature. When enabled, this feature provides automatic tier operation for bus masters that have been retried or who have pending delayed transactions. In this case, the bus master gets promoted to the highest priority tier. 0 = Disabled (default) 1 = Enabled |
| 6 | R/W | Internal arbiter disable. Bit 6 is used to disable the bridge's internal secondary bus arbiter. When the internal arbiter is disabled, the S_GNT0 pin becomes the secondary bus master's request signal. S_REQ0 becomes the secondary bus master's grant signal. 0 = Enable internal arbiter (default) 1 = Disable internal arbiter |
| 5 | R/W | Disable clock output 5 0 = Enable clock (default) 1 = Disable clock |
| 4 | R/W | Disable clock output 4 0 = Enable clock (default) 1 = Disable clock |
| 3 | R/W | Disable clock output 3 0 = Enable clock (default) 1 = Disable clock |
| 2 | R/W | Disable clock output 2 0 = Enable clock (default) 1 = Disable clock |
| 1 | R/W | Disable clock output 1 0 = Enable clock (default) 1 = Disable clock |
| 0 | R/W | Disable clock output 0 0 = Enable clock (default) 1 = Disable clock |



buffer control register

| Bit | 7 | 6 | 5 | 4 | 3 | 2 | 1 | 0 |
|---------|----------------|---|-----|-----|-----|-----|-----|-----|
| Name | Buffer control | | | | | | | |
| Type | R | R | R/W | R/W | R/W | R/W | R/W | R/W |
| Default | 0 | 0 | 1 | 0 | 1 | 1 | 1 | 1 |

Register: **Buffer control**
 Type: Read only, read/write (see individual bit descriptions)
 Offset: 6Dh
 Default: 2Fh
 Description: The buffer control register allows software to enable/disable write posting and control memory read burst prefetching. The buffer control register also enables/disables the posted memory write reconnect feature.

Table 17. Buffer Control Register

| BIT | TYPE | FUNCTION |
|-----|------|--|
| 7-6 | R | Reserved |
| 5 | R/W | Posted write reconnect enable. The bridge defaults to posted write reconnect enabled. This feature allows for a more efficient use of the bridge FIFOs. The bridge reconnects a new posted write transaction if the following conditions are met: 1. The new posted write transaction address is 1 doubleword greater than the transaction in the FIFO. 2. There are greater than four doublewords of data in the FIFO. 3. There are greater than 4 doublewords of free space in the FIFO. When this feature is disabled, the bridge flushes the FIFO before accepting another transaction. 0 = Disabled. 1 = Enabled. (default) |
| 4 | R/W | Upstream MRM/MRL read burst enable. By default, the PCI2031 is set to memory read burst a single cache line. By setting this bit to 1, the PCI2031 will memory read burst multiple cache lines or until the FIFO is full. To utilize this feature, bit 3 of this register must be set to 1. 0 = Disabled. (default) 1 = Enabled. |
| 3 | R/W | Upstream memory read burst enable. The bridge defaults to upstream memory read bursting disabled. Bit 3 enables upstream memory read bursting and indicates upstream memory is prefetchable. This bit is encoded as: 0 = Disabled (default). 1 = Enabled. |
| 2 | R/W | Downstream memory read burst enable. The bridge defaults to downstream memory read bursting enabled. Bit 2 enables downstream memory read bursting in prefetchable windows. This bit is encoded as: 0 = Disabled. 1 = Enabled (default). |
| 1 | R/W | Secondary-to-primary write posting enable. Enables posting of write data to and from the primary interface. If bit 1 is not set, the bridge must drain any data in its buffers before accepting data to or from the primary interface. Each data word must then be accepted by the target before the bridge can accept the next word from the source master. The bridge must not release the source master until the last word is accepted by the target. Operating with the write posting enabled enhances system performance. 0 = Write posting disabled 1 = Write posting enabled (default) |
| 0 | R/W | Primary-to-secondary write posting enable. Enables posting of write data to and from the secondary interface. If bit 0 is not set, then the bridge must drain any data in its buffers before accepting data to or from the secondary interface. Each data word must then be accepted by the target before the bridge can accept the next word from the source master. The bridge must not release the source master until the last word is accepted by the target. Operating with the write posting enabled enhances system performance. 0 = Write posting disabled 1 = Write posting enabled (default) |

PCI2031 PCI-TO-PCI BRIDGE

SCPS017A – DECEMBER 1997 – REVISED JANUARY 1998

bridge arbitration register

| Bit | 7 | 6 | 5 | 4 | 3 | 2 | 1 | 0 |
|---------|--------------------|-----|-----|-----|-----|-----|-----|-----|
| Name | Bridge arbitration | | | | | | | |
| Type | R/W | R/W | R/W | R/W | R/W | R/W | R/W | R/W |
| Default | 0 | 1 | 0 | 0 | 0 | 0 | 0 | 0 |

Register: **Bridge arbitration**

Type: Read/write (see individual bit descriptions)

Offset: 6Eh

Default: 40h

Description: The bridge arbitration register is used for the bridge's internal arbiter. The arbitration scheme used is a two-tier rotational arbitration. The PCI2031 bridge is the only secondary bus initiator that defaults to the higher priority arbitration tier. The bus-parking scheme is configured in this register.

Table 18. Bridge Arbitration Register

| BIT | TYPE | FUNCTION |
|-----|------|---|
| 7 | R/W | Bus parking. Bit 7 determines where the PCI2031's internal arbiter parks the secondary bus. When this bit is set, the arbiter parks the secondary bus on the PCI2031 bridge. When this bit is cleared, the arbiter parks the secondary bus on the last device mastering the secondary bus. This bit is encoded as: 0 = Park the secondary bus on the last secondary master (default). 1 = Park the secondary bus on the bridge. |
| 6 | R/W | Bridge tier select. Bit 6 determines in which tier the bridge is placed in the two-tier arbitration scheme. This bit is encoded as: 0 = Lowest-priority tier 1 = Highest-priority tier (default) |
| 5 | R/W | GNT5 tier select. Bit 5 determines in which tier the $\overline{S_GNT5}$ is placed in the arbitration scheme. This bit is encoded as: 0 = Lowest-priority tier (default) 1 = Highest-priority tier |
| 4 | R/W | GNT4 tier select. Bit 4 determines in which tier the $\overline{S_GNT4}$ is placed in the arbitration scheme. This bit is encoded as: 0 = Lowest-priority tier (default) 1 = Highest-priority tier |
| 3 | R/W | GNT3 tier select. Bit 3 determines in which tier the $\overline{S_GNT3}$ is placed in the arbitration scheme. This bit is encoded as: 0 = Lowest-priority tier (default) 1 = Highest-priority tier |
| 2 | R/W | GNT2 tier select. Bit 2 determines in which tier the $\overline{S_GNT2}$ is placed in the arbitration scheme. This bit is encoded as: 0 = Lowest-priority tier (default) 1 = Highest-priority tier |
| 1 | R/W | GNT1 tier select. Bit 1 determines in which tier the $\overline{S_GNT1}$ is placed in the arbitration scheme. This bit is encoded as: 0 = Lowest-priority tier (default) 1 = Highest-priority tier |
| 0 | R/W | GNT0 tier select. Bit 0 determines in which tier the $\overline{S_GNT0}$ is placed in the arbitration scheme. This bit is encoded as: 0 = Lowest-priority tier (default) 1 = Highest-priority tier |



clock run control register

| | | | | | | | | |
|---------|-------------------|---|---|-----|-----|-----|-----|---|
| Bit | 7 | 6 | 5 | 4 | 3 | 2 | 1 | 0 |
| Name | Clock run control | | | | | | | |
| Type | R | R | R | R/W | R/W | R/W | R/W | R |
| Default | 0 | 0 | 0 | 0 | 0 | 0 | 0 | 0 |

Register: **Clock run control**
 Type: Read only, read/write (see individual bit descriptions)
 Offset: 6Fh
 Default: 00h
 Description: The clock run control register controls the PCI clock-run mode enable/disable. It is also used to enable the keep-clock-running feature. Bit 0 reflects the status of the secondary clock. There are two clock run modes supported on the secondary bus. The bridge can be configured to stop the secondary PCI clock only in response to a request from the primary bus to stop the clock, or it can be configured to stop the secondary clock whenever the secondary bus is idle and there are no transaction requests from the primary bus.

There are two conditions for restarting the secondary clock. A downstream transaction restarts the secondary clock, or if the $\overline{S_CLKRUN}$ signal is asserted, the secondary clock is restarted.

Table 19. Clock Run Control Register

| BIT | TYPE | FUNCTION |
|-----|------|---|
| 7-5 | R | Reserved |
| 4 | R/W | Clock run mode. Bit 4 is encoded as: 0 = Stop the secondary clock only on request from the primary bus (default). 1 = Stop the secondary clock whenever the secondary bus is idle and there are no requests from the primary bus. |
| 3 | R/W | Primary clock run enable. Bit 3 must be enabled for the bridge to respond to requests by the central resource on the primary bus to stop the clock. 0 = Disable clock run (default) 1 = Enable clock run |
| 2 | R/W | Primary keep clock. When bit 2 is set, it causes the bridge to request that the central resource keep the PCI clock running. 0 = Allow primary clock to stop if secondary clock stopped (default) 1 = Always keep primary clock running |
| 1 | R/W | Secondary clock run enable 0 = Disable clock run for secondary (default) 1 = Enable clock run for secondary |
| 0 | R | Secondary clock status bit. If the clock is stopped, this bit is 1. If the clock is running, this bit is 0. 0 = Secondary clock not stopped (default) 1 = Secondary clock stopped |

diagnostic control register

| | | | | | | | | | | | | | | | | |
|---------|--------------------|-----|-----|-----|-----|-----|-----|-----|-----|-----|-----|-----|-----|-----|-----|-----|
| Bit | 15 | 14 | 13 | 12 | 11 | 10 | 9 | 8 | 7 | 6 | 5 | 4 | 3 | 2 | 1 | 0 |
| Name | Diagnostic control | | | | | | | | | | | | | | | |
| Type | R/W | R/W | R/W | R/W | R/W | R/W | R/W | R/W | R/W | R/W | R/W | R/W | R/W | R/W | R/W | R/W |
| Default | 0 | 0 | 0 | 1 | 0 | 0 | 1 | 1 | 0 | 0 | 0 | 0 | 0 | 0 | 0 | 0 |

Register: **Diagnostic control**
 Type: Read/write (see individual bit descriptions)
 Offset: 70h-71h
 Default: 1340h
 Description: The diagnostic control register is used for bridge diagnostics.



PCI2031

PCI-TO-PCI BRIDGE

SCPS017A – DECEMBER 1997 – REVISED JANUARY 1998

Table 20. Diagnostic Control Register

| BIT | TYPE | FUNCTION |
|-----|------|---|
| 15 | R/W | Master retry timeout enable. When set, bit 15 enables master retry timer. This bit is encoded as: 0 = Master retry disabled (default) 1 = Master retry enabled |
| 14 | R/W | Parity mode. Bit 14 is encoded as: 0 = Parity error passing enabled (default) 1 = Parity error passing disabled |
| 13 | R/W | Upstream lock enable. The bridge default is to disable upstream lock. When set, bit 13 enables upstream resource locking. This bit is encoded as: 0 = Selects upstream lock disabled (default) 1 = Selects upstream lock enabled |
| 12 | R/W | Downstream lock enable. The bridge default is to enable downstream lock. When set, bit 12 enables downstream resource locking. This bit is encoded as: 0 = Selects downstream lock disabled 1 = Selects downstream lock enabled (default) |
| 11 | R/W | Secondary-bus decode speed. The bridge defaults to medium decode speed on the secondary bus. Bit 11 selects between medium and slow decode speed. This bit is encoded as: 0 = Secondary bus decodes at medium decode speed (default) 1 = Secondary bus decodes at slow decode speed |
| 10 | R/W | Primary-bus decode speed. The bridge defaults to medium decode speed on the primary bus. Bit 10 selects between medium and slow decode speed. This bit is encoded as: 0 = Primary bus decodes at medium decode speed (default) 1 = Primary bus decodes at slow decode speed |
| 9 | R/W | Secondary-slave discard timer enable 0 = Disable 1 = Enable (default) |
| 8 | R/W | Primary-slave discard timer enable 0 = Disable 1 = Enable (default) |
| 7 | R/W | Reserved |
| 6 | R/W | Transaction ordering enable 0 = Disabled 1 = Enabled (default) |
| 5 | R/W | Secondary initial data phase counter extension 0 = Normal 16 clock to initial data phase (default) 1 = Extends initial data phase to 64 clocks |
| 4 | R/W | Primary initial data phase counter disable 0 = Enable 16 clock initial data phase counter (default) 1 = Disable 16 clock initial data phase counter Note: The secondary initial data phase counter is always enabled. |
| 3 | R/W | Primary initial data phase counter extension 0 = Normal 16 clocks to initial data phase (default) 1 = Extends initial data phase to 64 clocks |
| 2 | R/W | Immediate retry mode 0 = Immediate retry mode enabled (default) 1 = Immediate retry mode disabled |
| 1 | R/W | Discard timer test mode. Bit 1 selects the number of clock cycles that must expire before the bridge can discard status or data from a delayed transaction. This bit is encoded as: 0 = Discard timer 2 ¹⁵ clocks (default) 1 = Discard timer 2 ¹⁰ clocks |
| 0 | R/W | NAND tree test enable 0 = NAND tree test not requested (default) 1 = Request NAND tree test |



diagnostic status register

| Bit | 15 | 14 | 13 | 12 | 11 | 10 | 9 | 8 | 7 | 6 | 5 | 4 | 3 | 2 | 1 | 0 |
|---------|-------------------|----|----|----|-----|-----|-----|-----|---|---|---|-----|-----|---|---|-----|
| Name | Diagnostic status | | | | | | | | | | | | | | | |
| Type | R | R | R | R | R/W | R/W | R/W | R/W | R | R | R | R/W | R/W | R | R | R/W |
| Default | 0 | 0 | 0 | 0 | 0 | 0 | 0 | 0 | 0 | 0 | 0 | 0 | 0 | 0 | 0 | 0 |

Register: **Diagnostic status**
 Type: Read only, read/write (see individual bit descriptions)
 Offset: 72h–73h
 Default: 0000h
 Description: The diagnostic status register is used to reflect the bridge diagnostic status.

Table 21. Diagnostic Status Register

| BIT | TYPE | FUNCTION |
|-------|------|---|
| 15–12 | R | Reserved |
| 11 | R/W | Bridge detected a parity error while mastering on the secondary bus. When set, bit 11 indicates that the secondary bus master detected a parity error. Writing a 1 to this bit clears it. 0 = No parity error detected 1 = Parity error detected |
| 10 | R/W | Bridge detected a parity error while mastering on the primary bus. When set, bit 10 indicates that the primary bus master detected a parity error. Writing a 1 to this bit clears it. 0 = No parity error detected 1 = Parity error detected |
| 9 | R/W | Secondary-slave discard timer expired. Writing a 1 to this bit clears it. 0 = Discard timer not expired 1 = Discard timer expired |
| 8 | R/W | Primary-slave discard timer expired. Writing a 1 to this bit clears it. 0 = Discard timer not expired 1 = Discard timer expired |
| 7–5 | R | Reserved |
| 4 | R/W | Serial EEPROM detect status. When bit 4 is cleared, it indicates that the serial EEPROM block detected an EEPROM. Writing a 1 to this bit clears it. This bit is encoded as: 0 = Serial EEPROM block detected an EEPROM. 1 = Serial EEPROM block did not detect an EEPROM. |
| 3 | R/W | Serial EEPROM block error status. Bit 3 indicates the error status of the serial EEPROM block. This bit is set when a data error has occurred in the serial EEPROM block. Writing a 1 to this bit clears it. This bit is encoded as: 0 = No error detected. 1 = Data error detected. |
| 2 | R | External arbiter enable pin status. Bit 2 contains the current state of the external pin external arbiter enable. 0 = Signal low 1 = Signal high |
| 1 | R | Serial EEPROM block status. Bit 1 indicates the status of the serial EEPROM block. When set, bit 1 indicates that the serial EEPROM block is busy. 0 = Serial EEPROM block not busy 1 = Serial EEPROM block busy |
| 0 | R/W | Arbiter timeout status. Bit 0 indicates the status of the arbiter timer. When set, bit 0 indicates that a bus master did not begin the cycle within 16 clocks. Writing a 1 to this bit clears it. This bit is encoded as: 0 = No timeout (default). 1 = Master requesting the bus did not start cycle within 16 clocks. |

PCI2031 PCI-TO-PCI BRIDGE

SCPS017A – DECEMBER 1997 – REVISED JANUARY 1998

GPIO output select register

| Bit | 7 | 6 | 5 | 4 | 3 | 2 | 1 | 0 |
|---------|--------------------|-----|-----|-----|-----|-----|-----|-----|
| Name | GPIO output select | | | | | | | |
| Type | R/W | R/W | R/W | R/W | R/W | R/W | R/W | R/W |
| Default | 0 | 0 | 0 | 0 | 0 | 0 | 0 | 0 |

Register: **GPIO output select**

Type: Read/write (see individual bit descriptions)

Offset: 74h

Default: 00h

Description: The GPIO output select register is used for debug purposes. P_GPIO0 can be configured as an output and used as an interrupt request from the PCI2031 when docking support is enabled. P_GPIO2 and P_GPIO3 can be configured as input pins and used as docking station support detect pins 1 and 2, respectively. S_GPIO0 and S_GPIO1 are used for the serial EEPROM interface when implemented; S_GPIO0 serves as the clock line and S_GPIO1 serves as the data line. P_GPIO1 and S_GPIO2 can be used as the primary and secondary bus IRQSER pins, respectively.

Table 22. GPIO Output Select Register

| BIT | TYPE | FUNCTION |
|-----|------|--|
| 7 | R/W | S_GPIO3. The value of bit 7 selects the function of S_GPIO3. 0 = Normal GPIO output data (default) 1 = Internal test signal that is asserted low when DEVSEL is driven by bridge on secondary bus |
| 6 | R/W | S_GPIO2. If serialized IRQ support is enabled via bit 0 of the serial IRQ support register, configuration offset 79h, S_GPIO2 is used as the secondary IRQSER pin. 0 = Normal GPIO output data (default) 1 = Selects internal test signal that is asserted low when frame is driven by bridge on secondary bus |
| 5 | R/W | S_GPIO1. If an EEPROM is present in the system, S_PGIO1 is used for the serial EEPROM interface. 0 = Normal GPIO output data (default) 1 = Selects bridge grant signal to PCI secondary interface |
| 4 | R/W | S_GPIO0. If an EEPROM is present in the system, S_PGIO0 is used for the serial EEPROM interface. 0 = Normal GPIO output data (default) 1 = Selects bridge request signal from PCI secondary interface |
| 3 | R/W | P_GPIO3. If docking support is enabled via bit 0 of the docking support register, configuration offset 78h, P_GPIO3 is used as docking change detect pin 2. 0 = Normal GPIO output data (default) 1 = Selects internal test signal that is asserted low when DEVSEL is driven by bridge on primary bus |
| 2 | R/W | P_GPIO2. If docking support is enabled via bit 0 of the docking support register, configuration offset 78h, P_GPIO2 is used as docking change detect pin 1. 0 = Normal GPIO output data (default) 1 = Selects internal test signal that is asserted low when frame is driven by bridge on primary bus |
| 1 | R/W | P_GPIO1. If serialized IRQ support is enabled via bit 0 of the serial IRQ support register, configuration offset 79h, P_GPIO1 is used as the primary IRQSER pin. 0 = Normal GPIO output data (default) 1 = Selects signal indicating the primary PCI interface is locked as a resource |
| 0 | R/W | P_GPIO0. If docking support is enabled via bit 0 of the docking support register, configuration offset 78h, P_GPIO0 is used as the interrupt request from the bridge. 0 = Normal GPIO output data (default) 1 = Selects internal test signal that is asserted high when 16 clock arbitration timeout occurs |



GPIO input data register

| Bit | 7 | 6 | 5 | 4 | 3 | 2 | 1 | 0 |
|---------|-----------------|---|---|---|---|---|---|---|
| Name | GPIO input data | | | | | | | |
| Type | R | R | R | R | R | R | R | R |
| Default | X | X | X | X | X | X | X | X |

Register: **GPIO input data**
 Type: Read only (see individual bit descriptions)
 Offset: 75h
 Default: XXh
 Description: The GPIO input data register reflects the state of the GPIO pins.

Table 23. GPIO Input Data Register

| BIT | TYPE | FUNCTION |
|-----|------|--|
| 7-4 | R | S_GPIO3–S_GPIO0 pin state 0 = Low 1 = High |
| 3-0 | R | P_GPIO3–P_GPIO0 pin state 0 = Low 1 = High |

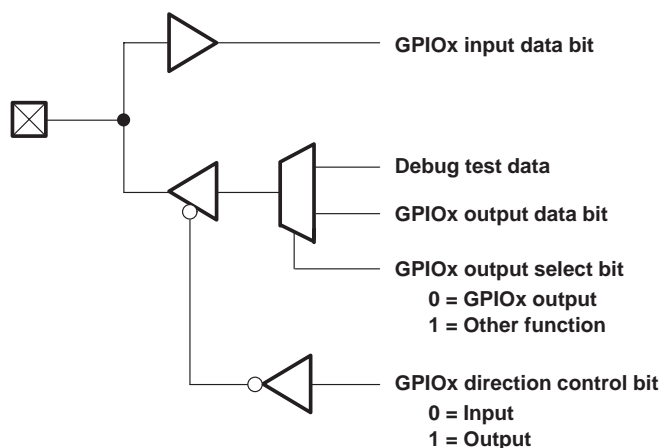


Figure 5. GPIO Buffer

PCI2031

PCI-TO-PCI BRIDGE

SCPS017A – DECEMBER 1997 – REVISED JANUARY 1998

GPIO direction control register

| Bit | 7 | 6 | 5 | 4 | 3 | 2 | 1 | 0 |
|---------|------------------------|-----|-----|-----|-----|-----|-----|-----|
| Name | GPIO direction control | | | | | | | |
| Type | R/W | R/W | R/W | R/W | R/W | R/W | R/W | R/W |
| Default | 0 | 0 | 0 | 0 | 0 | 0 | 0 | 0 |

Register: **GPIO direction control**
 Type: Read/write (see individual bit descriptions)
 Offset: 76h
 Default: 00h
 Description: The GPIO direction control register controls the direction of the GPIO pins.

Table 24. GPIO Direction Control Register

| BIT | TYPE | FUNCTION |
|-----|------|--|
| 7-4 | R/W | S_GPIO3-S_GPIO0 pin state 0 = Input (default) 1 = Output |
| 3-0 | R/W | P_GPIO3-P_GPIO0 pin state 0 = Input (default) 1 = Output |

GPIO output data register

| Bit | 7 | 6 | 5 | 4 | 3 | 2 | 1 | 0 |
|---------|------------------|-----|-----|-----|-----|-----|-----|-----|
| Name | GPIO output data | | | | | | | |
| Type | R/W | R/W | R/W | R/W | R/W | R/W | R/W | R/W |
| Default | 0 | 0 | 0 | 0 | 0 | 0 | 0 | 0 |

Register: **GPIO output data**
 Type: Read/write (see individual bit descriptions)
 Offset: 77h
 Default: 00h
 Description: The GPIO output data register contains the output data for any selected GPIO pin.

Table 25. GPIO Output Data Register

| BIT | TYPE | FUNCTION |
|-----|------|---|
| 7-4 | R/W | S_GPIO3-S_GPIO0 output data 0 = Data-out value if selected is 0 (default) 1 = Data-out value if selected is 1 |
| 3-0 | R/W | P_GPIO3-P_GPIO0 output data 0 = Data-out value if selected is 0 (default) 1 = Data-out value if selected is 1 |



docking support register

| Bit | 7 | 6 | 5 | 4 | 3 | 2 | 1 | 0 |
|---------|-----------------|---|---|---|-----|-----|-----|-----|
| Name | Docking support | | | | | | | |
| Type | R | R | R | R | R/W | R/W | R/W | R/W |
| Default | 0 | 0 | 0 | 0 | 0 | 0 | 0 | 0 |

Register: **Docking support**
 Type: Read only, read/write (see individual bit descriptions)
 Offset: 78h
 Default: 00h
 Description: The docking support register is used for docking support. A change in state on the P_GPIO3 pin or the P_GPIO2 pin is reflected as a change on the P_GPIO0 pin.

Table 26. Docking Support Register

| BIT | TYPE | FUNCTION |
|-----|------|--|
| 7-4 | R | Reserved |
| 3 | R/W | P_GPIO3 change detect status. A change in bit 3 is reflected on the P_GPIO0 pin. 0 = No change (default) 1 = Change has occurred. Write a 1 to clear this bit. |
| 2 | R/W | P_GPIO2 change detect status. A change in bit 2 is reflected on the P_GPIO0 pin. 0 = No change (default) 1 = Change has occurred. Write a 1 to clear this bit. |
| 1 | R/W | Single line select 0 = Single line connect detect (default) 1 = Two line connect detect |
| 0 | R/W | Docking support enable 0 = Disable (default) 1 = Enable |

PCI2031 PCI-TO-PCI BRIDGE

SCPS017A – DECEMBER 1997 – REVISED JANUARY 1998

serialized IRQ support register

| Bit | 7 | 6 | 5 | 4 | 3 | 2 | 1 | 0 |
|---------|------------------------|-----|-----|-----|-----|-----|-----|-----|
| Name | Serialized IRQ support | | | | | | | |
| Type | R | R/W | R/W | R/W | R/W | R/W | R/W | R/W |
| Default | 0 | 0 | 0 | 0 | 0 | 0 | 0 | 0 |

Register: **Serialized IRQ support**

Type: Read/write (see individual bit descriptions)

Offset: 79h

Default: 00h

Description: The serialized IRQ support register is used to configure the serialized IRQ stream. Serialized IRQ support is enabled/disabled via bit 0 of the serialized IRQ support register. The start frame is variable from four to six PCI clocks wide. The bridge does not support an 8-clock start frame. Bits 2 and 1 are used to configure the number of clocks in the start frame. Bits 6–3 are used to configure the number of data frames in the serialized IRQ stream – up to 32 data frames are permitted, including the start frame, the I/O channel check frame, and the stop frame. The host controller must do one stream in continuous mode before switching to quiet mode. The continuous stream must be for 17 data frames.

Table 27. Serialized IRQ Support Register

| BIT | TYPE | FUNCTION |
|-----|------|--|
| 7 | R | Reserved |
| 6–3 | R/W | Number of IRQ/data frames. These bits determine the number of IRQ/data frames for the serialized IRQ stream. The host is required to support a minimum of 17 IRQ/data frames and a maximum of 32. These bits are encoded as: 0000 = 17 IRQ/data frames (default) 0001 = 18 IRQ/data frames 0010 = 19 IRQ/data frames 0011 = 20 IRQ/data frames 0100 = 21 IRQ/data frames 0101 = 22 IRQ/data frames 0110 = 23 IRQ/data frames 0111 = 24 IRQ/data frames 1000 = 25 IRQ/data frames 1001 = 26 IRQ/data frames 1010 = 27 IRQ/data frames 1011 = 28 IRQ/data frames 1100 = 29 IRQ/data frames 1101 = 30 IRQ/data frames 1110 = 31 IRQ/data frames 1111 = 32 IRQ/data frames |
| 2–1 | R/W | Start frame clock select. These bits determine the number of PCI clock cycles in the start frame. The PCI2031 bridge does not support an 8-clock start frame. These bits are encoded as: 00 = 4 clock cycles per start frame (default) 01 = 6 clock cycles per start frame 10 = 4 clock cycles per start frame 11 = 6 clock cycles per start frame |
| 0 | R/W | Serialized IRQ support enable. Bit 0 is used to enable/disable serialized IRQ support. It is encoded as: 0 = Serialized IRQ support disabled (default) 1 = Serialized IRQ support enabled |



arbiter request mask register

| | | | | | | | | |
|----------------|----------------------|----------|----------|----------|----------|----------|----------|----------|
| Bit | 7 | 6 | 5 | 4 | 3 | 2 | 1 | 0 |
| Name | Arbiter request mask | | | | | | | |
| Type | R | R/W | R/W | R/W | R/W | R/W | R/W | R/W |
| Default | 0 | 0 | 0 | 0 | 0 | 0 | 0 | 0 |

Register: **Arbiter request mask**
 Type: Read/write (see individual bit descriptions)
 Offset: 7Ah
 Default: 00h
 Description: The arbiter request mask register contains the SERR enable on arbiter timeouts and the request mask controls.

Table 28. Arbiter Request Mask Register

| BIT | TYPE | FUNCTION |
|-----|------|--|
| 7 | R | Reserved |
| 6 | R/W | Timeout automatic masking enable 0 = Masking not automatic (default) 1 = Allow masking after 16 clock timeouts |
| 5 | R/W | Request 5 ($\overline{\text{REQ5}}$) mask bit 0 = Use request 5 (default) 1 = Ignore request 5 |
| 4 | R/W | Request 4 ($\overline{\text{REQ4}}$) mask bit 0 = Use request 4 (default) 1 = Ignore request 4 |
| 3 | R/W | Request 3 ($\overline{\text{REQ3}}$) mask bit 0 = Use request 3 (default) 1 = Ignore request 3 |
| 2 | R/W | Request 2 ($\overline{\text{REQ2}}$) mask bit 0 = Use request 2 (default) 1 = Ignore request 2 |
| 1 | R/W | Request 1 ($\overline{\text{REQ1}}$) mask bit 0 = Use request 1 (default) 1 = Ignore request 1 |
| 0 | R/W | Request 0 ($\overline{\text{REQ0}}$) mask bit 0 = Use request 0 (default) 1 = Ignore request 0 |

PCI2031 PCI-TO-PCI BRIDGE

SCPS017A – DECEMBER 1997 – REVISED JANUARY 1998

arbiter timeout status register

| Bit | 7 | 6 | 5 | 4 | 3 | 2 | 1 | 0 |
|---------|------------------------|---|---|---|---|---|---|---|
| Name | Arbiter timeout status | | | | | | | |
| Type | R | R | R | R | R | R | R | R |
| Default | 0 | 0 | 0 | 0 | 0 | 0 | 0 | 0 |

Register: **Arbiter timeout status**
 Type: Read only (see individual bit descriptions)
 Offset: 7Bh
 Default: 00h
 Description: The arbiter timeout status register contains the status of each request (request 5–0) timeout. The timeout status bit for the respective request is set if the device did not assert $\overline{\text{FRAME}}$ after 16 clocks.

Table 29. Arbiter Timeout Status Register

| BIT | TYPE | FUNCTION |
|-----|------|---|
| 7–6 | R | Reserved |
| 5 | R | Request 5 timeout status. Cleared by writing a 1. 0 = No timeout (default) 1 = Timeout has occurred |
| 4 | R | Request 4 timeout status. Cleared by writing a 1. 0 = No timeout (default) 1 = Timeout has occurred |
| 3 | R | Request 3 timeout status. Cleared by writing a 1. 0 = No timeout (default) 1 = Timeout has occurred |
| 2 | R | Request 2 timeout status. Cleared by writing a 1. 0 = No timeout (default) 1 = Timeout has occurred |
| 1 | R | Request 1 timeout status. Cleared by writing a 1. 0 = No timeout (default) 1 = Timeout has occurred |
| 0 | R | Request 0 timeout status. Cleared by writing a 1. 0 = No timeout (default) 1 = Timeout has occurred |

capability ID register

| Bit | 7 | 6 | 5 | 4 | 3 | 2 | 1 | 0 |
|---------|---------------|---|---|---|---|---|---|---|
| Name | Capability ID | | | | | | | |
| Type | R | R | R | R | R | R | R | R |
| Default | 0 | 0 | 0 | 0 | 0 | 0 | 0 | 1 |

Register: **Capability ID**
 Type: Read only
 Offset: 80h
 Default: 01h
 Description: The capability ID register identifies the linked list item as the register for PCI Power Management. The capability ID register returns 01h when read, which is the unique ID assigned by the PCI SIG for PCI location of the capabilities pointer and the value.



next item pointer register

| Bit | 7 | 6 | 5 | 4 | 3 | 2 | 1 | 0 |
|---------|-------------------|---|---|---|---|---|---|---|
| Name | Next item pointer | | | | | | | |
| Type | R | R | R | R | R | R | R | R |
| Default | 0 | 0 | 0 | 0 | 0 | 0 | 0 | 0 |

Register: **Next item pointer**

Type: Read only

Offset: 81h

Default: 00h

Description: The next item pointer register is used to indicate the next item in the linked list of PCI power management capabilities. Since the PCI2031 only provides one capabilities list item, this register returns zeros when read.

power management capabilities register

| Bit | 15 | 14 | 13 | 12 | 11 | 10 | 9 | 8 | 7 | 6 | 5 | 4 | 3 | 2 | 1 | 0 |
|---------|-------------------------------|----|----|----|----|----|---|---|---|---|---|---|---|---|---|---|
| Name | Power management capabilities | | | | | | | | | | | | | | | |
| Type | R | R | R | R | R | R | R | R | R | R | R | R | R | R | R | R |
| Default | 0 | 0 | 0 | 0 | 0 | 1 | 1 | 0 | 0 | 0 | 0 | 0 | 0 | 0 | 0 | 1 |

Register: **Power management capabilities**

Type: Read only

Offset: 82h

Default: 0601h

Description: The power management capabilities register contains information on the capabilities of the PCI2031 functions related to power management. The PCI2031 function supports D0, D1, D2, and D3 power states.

Table 30. Power Management Capabilities Register

| BIT | TYPE | FUNCTION |
|-------|------|--|
| 15–11 | R | PME Support. This five bit field indicates the power states that the device supports asserting PME#. A '0' for any of these bits indicates that the PCI2031 cannot assert PME# signal from that power state. For the PCI2031, these five bits return '00000b' when read indicating that PME# is not supported. |
| 10 | R | D2 Support. This bit returns '1' when read, indicating that the Bridge function supports the D2 device power state. |
| 9 | R | D1 Support. This bit returns '1' when read, indicating that the Bridge function supports the D1 device power state. |
| 8–6 | R | Reserved. |
| 5 | R | Device Specific Initialization. This bit is read only and returns '0' when read, indicating that the bridge function does not require special initialization (beyond the standard PCI configuration header) before the generic class device driver is able to use it. |
| 4 | R | Auxilliary Power Source. This bit is read only and returns a '0' because the PCI2031 does not support PME# signaling. |
| 3 | R | PMECLK. This bit is read only and returns a '0' because the PME# signaling is not supported. |
| 2–0 | R | Version. This three bit register returns '001b' when read, indicating Revision 1.0 of PCI Bus Power Management Interface Specification. |

PCI2031 PCI-TO-PCI BRIDGE

SCPS017A – DECEMBER 1997 – REVISED JANUARY 1998

power management control/status register

| Bit | 15 | 14 | 13 | 12 | 11 | 10 | 9 | 8 | 7 | 6 | 5 | 4 | 3 | 2 | 1 | 0 |
|---------|---------------------------------|----|----|----|----|----|---|---|---|---|---|---|---|---|-----|-----|
| Name | Power management control/status | | | | | | | | | | | | | | | |
| Type | R | R | R | R | R | R | R | R | R | R | R | R | R | R | R/W | R/W |
| Default | 0 | 0 | 0 | 0 | 0 | 0 | 0 | 0 | 0 | 0 | 0 | 0 | 0 | 0 | 0 | 0 |

Register: **Power management control/status**
 Type: Read only, Read/Write
 Offset: 84h
 Default: 0000h
 Description: The power management control/status register determines and changes the current power state of the PCI2031. The contents of this register are not affected by the internally generated reset caused by the transition from D3hot to D0 state.

Table 31. Power Management Capabilities Register

| BIT | TYPE | FUNCTION |
|-------|------|--|
| 15 | R | PME Status. This bit is read only and returns a zero because the PCI2031 does not support PME#. |
| 14–13 | R | Data Scale. This two bit field is read only returning zeros when read. The PCI2031 function does not return any dynamic data, as indicated by the DYNAMIC DATA bit. |
| 12–9 | R | Data Select. This four bit field is read only returning zeros when read. The PCI2031 function does not return any dynamic data, as indicated by the DYNAMIC DATA bit. |
| 8 | R | PME Enable. This bit is read only and returns a zero because the PCI2031 does not support PME# signaling. |
| 7–2 | R | Reserved. These bits are read only and return zeros when read. |
| 1–0 | R/W | Power State. This two bit field is used both to determine the current power state of a function and to set the function into a new power state. The definition of the two bit field is given below: 00 – D0 01 – D1 10 – D2 11 – D3hot |

PMCSR bridge support

| Bit | 7 | 6 | 5 | 4 | 3 | 2 | 1 | 0 |
|---------|----------------------|---|---|---|---|---|---|---|
| Name | PMCSR bridge support | | | | | | | |
| Type | R | R | R | R | R | R | R | R |
| Default | 1 | 1 | 0 | 0 | 0 | 0 | 0 | 0 |

Register: **PMCSR bridge support**
 Type: Read only
 Offset: 86h
 Default: C0h
 Description: The PMCSR bridge support register is required for all PCI bridges and supports PCI bridge specific functionality.



Table 32. PMCSR Bridge Support Register

| BIT | TYPE | FUNCTION |
|-----|------|---|
| 7 | R | Bus Power Control Enable. This bit is read only and returns a one when read indicating that the power management state of the secondary bus follows that of the PCI2031 with one exception, D3hot state. The action that occurs when the PCI2031 is programmed to D3hot state is determined by the B2/B3 Support bit. |
| 6 | R | B2/B3 Support for D3hot. This bit is read only and returns a one when read indicating that when the PCI2031 is programmed to D3hot state the secondary bus's clock is stopped (B2). |
| 5-0 | R | Reserved. |

slot number register

| Bit | 7 | 6 | 5 | 4 | 3 | 2 | 1 | 0 |
|---------|-------------|-----|-----|-----|-----|-----|-----|-----|
| Name | Slot number | | | | | | | |
| Type | R/W | R/W | R/W | R/W | R/W | R/W | R/W | R/W |
| Default | 0 | 0 | 0 | 0 | 0 | 0 | 0 | 0 |

Register: **Slot number**

Type: Read/write (see individual bit descriptions)

Offset: F0h

Default: 00h

Description: The slot number register is configured by an EEPROM at system power up. While the EEPROM is loading data into this register, the PCI2031 retries all configuration read accesses to this register and to the subsystem vendor ID register (40h). Configuration read accesses to register 2Ch and register 40h for devices 0-7 on the PCI2031 secondary are also retried while the EEPROM is loading data into the PCI2031 subsystem vendor ID and slot number registers.

Table 33. Slot Number Register

| BIT | TYPE | FUNCTION |
|-----|------|--|
| 7-6 | R/W | Reserved |
| 5 | R/W | Slots follow parent. If bit 5 is 0, it indicates that this bridge is a parent bridge. In this case, the slot number is equal to the PCI device number. If bit 5 is 1 in this bridge configuration, software must calculate the slot number. See Appendix B, <i>Slot Numbering</i> , in the PCI-to-PCI bridge specification for details on calculating the slot number. |
| 4-0 | R/W | Expansion slots provided. This value is used to calculate the slot number for a device in an expansion chassis. See Appendix B, <i>Slot Numbering</i> , in the PCI-to-PCI bridge specification for details on calculating the slot number. |

PCI2031

PCI-TO-PCI BRIDGE

SCPS017A – DECEMBER 1997 – REVISED JANUARY 1998

chassis number register

| Bit | 7 | 6 | 5 | 4 | 3 | 2 | 1 | 0 |
|---------|----------------|-----|-----|-----|-----|-----|-----|-----|
| Name | Chassis number | | | | | | | |
| Type | R/W | R/W | R/W | R/W | R/W | R/W | R/W | R/W |
| Default | 0 | 0 | 0 | 0 | 0 | 0 | 0 | 0 |

Register: **Chassis number**
 Type: Read/write
 Offset: F1h
 Default: 00h
 Description: This 8-bit register designates the chassis number in which the slots on the bridge's secondary bus reside. The chassis number register is configured by the system configuration software at system power up and each time the system is reconfigured. The main chassis is always chassis 0. Conflicts between chassis are resolved automatically every time the system is powered up.

device mask register

| Bit | 7 | 6 | 5 | 4 | 3 | 2 | 1 | 0 |
|---------|-------------|-----|-----|-----|-----|-----|-----|-----|
| Name | Device mask | | | | | | | |
| Type | R/W | R/W | R/W | R/W | R/W | R/W | R/W | R/W |
| Default | 0 | 0 | 0 | 0 | 0 | 0 | 0 | 0 |

Register: **Device mask**
 Type: Read/write (see individual bit descriptions)
 Offset: F2h
 Default: 00h
 Description: The device mask register is configured from an EEPROM during system boot up. The bits in this register control access to the subsystem vendor ID register of devices on the secondary bus of the bridge. Each bit of this register corresponds to the device on the secondary of the same number. For example, bit 0 of this register corresponds to device zero on the secondary bus, bit 1 corresponds to device one on the secondary bus, and so on. If the bit value is 1, it indicates that the corresponding device is masked. If the bit is 0, it indicates that the corresponding device is not masked.

Table 34 describes the bits in the device mask register. The PCI2031 supports up to six devices on its secondary bus – up to eight if an external arbiter is used. The device number is encoded in bits 13–11 of the PCI AD bus during a configuration cycle.

Table 35 describes the results of configuration read accesses to the subsystem vendor ID register of devices on the secondary based on the bits of this register and the corresponding bits in the device-type register. For example, if bit 3 of the device mask register is 0, and bit 3 of the device-type register is 1 (01), then read accesses to the subsystem vendor ID registers (2Ch for nonbridge devices and 40h for bridge devices) of device number 3 are passed through the bridge to the device 3 on the secondary bus. The bridge does not return any data. If bit 5 of the device mask register is 1, and bit 5 of the device-type register is 1, read accesses to register 40h of device 5 are masked and the bridge returns data from its own register 40h. In Table 35, n = 0, 1, 2, 3, 4, 5, 6, or 7.



Table 34. Device Mask Register

| BIT | TYPE | FUNCTION |
|-----|------|---|
| 7 | R/W | Bit 7 corresponds to device 7 on the secondary bus. When this bit is 1, it indicates that configuration read accesses to register 2Ch of a nonbridge device or register 40h of a bridge device are masked. 0 = Read accesses to register 2Ch/40h are not masked (default) 1 = Read accesses to register 2Ch/40h are masked |
| 6 | R/W | Bit 6 corresponds to device 6 on the secondary bus. When this bit is 1, it indicates that configuration read accesses to register 2Ch of a nonbridge device or register 40h of a bridge device are masked. 0 = Read accesses to register 2Ch/40h are not masked (default) 1 = Read accesses to register 2Ch/40h are masked |
| 5 | R/W | Bit 5 corresponds to device 5 on the secondary bus. When this bit is 1, it indicates that configuration read accesses to register 2Ch of a nonbridge device or register 40h of a bridge device are masked. 0 = Read accesses to register 2Ch/40h are not masked (default) 1 = Read accesses to register 2Ch/40h are masked |
| 4 | R/W | Bit 4 corresponds to device 4 on the secondary bus. When this bit is 1, it indicates that configuration read accesses to register 2Ch of a nonbridge device or register 40h of a bridge device are masked. 0 = Read accesses to register 2Ch/40h are not masked (default) 1 = Read accesses to register 2Ch/40h are masked |
| 3 | R/W | Bit 3 corresponds to device 3 on the secondary bus. When this bit is 1, it indicates that configuration read accesses to register 2Ch of a nonbridge device or register 40h of a bridge device are masked. 0 = Read accesses to register 2Ch/40h are not masked (default) 1 = Read accesses to register 2Ch /40h are masked |
| 2 | R/W | Bit 2 corresponds to device 2 on the secondary bus. When this bit is 1, it indicates that configuration read accesses to register 2Ch of a nonbridge device or register 40h of a bridge device are masked. 0 = Read accesses to register 2Ch/40h are not masked (default) 1 = Read accesses to register 2Ch/40h are masked |
| 1 | R/W | Bit 1 corresponds to device 1 on the secondary bus. When this bit is 1, it indicates that configuration read accesses to register 2Ch of a nonbridge device or register 40h of a bridge device are masked. 0 = Read accesses to register 2Ch/40h are not masked (default) 1 = Read accesses to register 2Ch/40h are masked |
| 0 | R/W | Bit 0 corresponds to device 0 on the secondary bus. When this bit is 1, it indicates that configuration read accesses to register 2Ch of a nonbridge device or register 40h of a bridge device are masked. 0 = Read accesses to register 2Ch/40h are not masked (default) 1 = Read accesses to register 2Ch/40h are masked |

Table 35. Configuration Read Access Results

| REGISTER | | RESULTS OF CONFIGURATION READ ACCESS |
|--------------------|--------------------|--|
| DEVICE MASK, BIT n | DEVICE TYPE, BIT n | |
| 0 | 0 | Read accesses to registers 2Ch/40h of device number n on the secondary bus are passed through the bridge. The bridge does not return any data. |
| 0 | 1 | Read accesses to registers 2Ch/40h of device number n on the secondary bus are passed through the bridge. The bridge does not return any data. |
| 1 | 0 | Read accesses to registers 2Ch of device number n on the secondary bus are masked. The bridge returns data from its own register 40h. |
| 1 | 1 | Read accesses to register 40h of device number n on the secondary bus are masked. The bridge returns data from its own register 40h. |

PCI2031

PCI-TO-PCI BRIDGE

SCPS017A – DECEMBER 1997 – REVISED JANUARY 1998

device-type register

| Bit | 7 | 6 | 5 | 4 | 3 | 2 | 1 | 0 |
|---------|-------------|-----|-----|-----|-----|-----|-----|-----|
| Name | Device type | | | | | | | |
| Type | R/W | R/W | R/W | R/W | R/W | R/W | R/W | R/W |
| Default | 0 | 0 | 0 | 0 | 0 | 0 | 0 | 0 |

Register: **Device type**
 Type: Read/write (see individual bit descriptions)
 Offset: F3h
 Default: 00h
 Description: The device-type register is configured from an EEPROM during system boot up. Each bit of this register corresponds to the device on the secondary bus of the same number. For example, bit 0 corresponds to device 0 on the secondary bus, bit 1 corresponds to device 1 on the secondary bus, bit 2 to device 2, and so on. If a bit value is 1, it indicates that the corresponding device on the secondary bus is a CardBus controller. If the bit is 0, it indicates that the corresponding device on the secondary bus is a standard PCI device.

Table 36. Device-Type Register

| BIT | TYPE | FUNCTION |
|-----|------|--|
| 7 | R/W | Bit 7 corresponds to device 7 on the secondary bus. When this bit is 1, it indicates that device 7 is a CardBus controller. 0 = Device 7 on the secondary bus is a standard PCI device 1 = Device 7 on the secondary bus is a CardBus controller |
| 6 | R/W | Bit 6 corresponds to device 6 on the secondary bus. When this bit is 1, it indicates that device 6 is a CardBus controller. 0 = Device 6 on the secondary bus is a standard PCI device 1 = Device 6 on the secondary bus is a CardBus controller |
| 5 | R/W | Bit 5 corresponds to device 5 on the secondary bus. When this bit is 1, it indicates that device 5 is a CardBus controller. 0 = Device 5 on the secondary bus is a standard PCI device 1 = Device 5 on the secondary bus is a CardBus controller |
| 4 | R/W | Bit 4 corresponds to device 4 on the secondary bus. When this bit is 1, it indicates that device 4 is a CardBus controller. 0 = Device 4 on the secondary bus is a standard PCI device 1 = Device 4 on the secondary bus is a CardBus controller |
| 3 | R/W | Bit 3 corresponds to device 3 on the secondary bus. When this bit is 1, it indicates that device 3 is a CardBus controller. 0 = Device 3 on the secondary bus is a standard PCI device 1 = Device 3 on the secondary bus is a CardBus controller |
| 2 | R/W | Bit 2 corresponds to device 2 on the secondary bus. When this bit is 1, it indicates that device 2 is a CardBus controller. 0 = Device 2 on the secondary bus is a standard PCI device 1 = Device 2 on the secondary bus is a CardBus controller |
| 1 | R/W | Bit 1 corresponds to device 1 on the secondary bus. When this bit is 1, it indicates that device 1 is a CardBus controller. 0 = Device 1 on the secondary bus is a standard PCI device 1 = Device 1 on the secondary bus is a CardBus controller |
| 0 | R/W | Bit 0 corresponds to device 0 on the secondary bus. When this bit is 1, it indicates that device 0 is a CardBus controller. 0 = Device 0 on the secondary bus is a standard PCI device 1 = Device 0 on the secondary bus is a CardBus controller |



absolute maximum ratings over operating temperature ranges (unless otherwise noted)†

| | |
|---|----------------------------|
| Supply voltage range: V_{CC} | -0.5 V to 4.6 V |
| V_{CCP} | -0.5 V to 6 V |
| Input voltage range, V_I : Standard | -0.5 V to $V_{CC} + 0.5$ V |
| Output voltage range, V_O : Standard | -0.5 V to $V_{CC} + 0.5$ V |
| Input clamp current, I_{IK} ($V_I < 0$ or $V_I > V_{CC}$) (see Note 1) | ± 20 mA |
| Output clamp current, I_{OK} ($V_O < 0$ or $V_O > V_{CC}$) (see Note 2) | ± 20 mA |
| Storage temperature range, T_{stg} | -65°C to 150°C |
| Virtual junction temperature, T_J | 150°C |

† Stresses beyond those listed under “absolute maximum ratings” may cause permanent damage to the device. These are stress ratings only, and functional operation of the device at these or any other conditions beyond those indicated under “recommended operating conditions” is not implied. Exposure to absolute-maximum-rated conditions for extended periods may affect device reliability.

- NOTES: 1. Applies to external input and bidirectional buffers. $V_I > V_{CC}$ does not apply to fail-safe terminals.
2. Applies to external output and bidirectional buffers. $V_O > V_{CC}$ does not apply to fail-safe terminals.

recommended operating conditions

| | | | MIN | NOM | MAX | UNIT |
|----------------|---------------------------------------|-----------------|-----|-----|-----|------|
| t_t | Input transition (rise and fall) time | CMOS compatible | 1 | | 4 | ns |
| T_A | Operating ambient temperature range | Commercial | 0 | 25 | 70 | °C |
| T_J^\ddagger | Virtual junction temperature | Commercial | 0 | 25 | 115 | °C |

‡ These junction temperatures reflect simulation conditions. The customer is responsible for verifying junction temperature.

recommended operating conditions for PCI interface

| | | | OPERATION | MIN | NOM | MAX | UNIT |
|--------------------|--------------------------|-----------------|-----------|---------------|-----|-----------|------|
| V_{CC} | Core voltage | Commercial | 3.3 V | 3 | 3.3 | 3.6 | V |
| V_{CCP} | PCI supply voltage | Commercial | 3.3 V | 3 | 3.3 | 3.6 | V |
| | | | 5 V | 4.75 | 5 | 5.25 | |
| V_I | Input voltage | | 3.3 V | 0 | | V_{CCP} | V |
| | | | 5 V | 0 | | V_{CCP} | |
| V_O^\S | Output voltage | | 3.3 V | 0 | | V_{CCP} | V |
| | | | 5 V | 0 | | V_{CCP} | |
| V_{IH}^\parallel | High-level input voltage | CMOS compatible | 3.3 V | 0.5 V_{CCP} | | | V |
| | | | 5 V | 2 | | | |
| V_{IL}^\parallel | Low-level input voltage | CMOS compatible | 3.3 V | 0.3 V_{CCP} | | | V |
| | | | 5 V | 0.8 | | | |

§ Applies to external output buffers

¶ Applies to external input and bidirectional buffers without hysteresis



PCI2031

PCI-TO-PCI BRIDGE

SCPS017A – DECEMBER 1997 – REVISED JANUARY 1998

electrical characteristics over recommended operating conditions (unless otherwise noted)

| PARAMETER | SIDE | TEST CONDITIONS | OPERATION | MIN | MAX | UNIT |
|---|------------|--|-----------------|---------------------|-----|------|
| V _{OH} High-level output voltage | | I _{OH} = -0.5 mA | 3.3 V | 0.9 V _{CC} | | V |
| | | I _{OH} = -2 mA | 5 V | 2.4 | | |
| V _{OL} Low-level output voltage | | I _{OL} = 1.5 mA | 3.3 V | 0.1 V _{CC} | | V |
| | | I _{OL} = 6 mA | 5 V | 0.55 | | |
| I _{IH} High-level input current | Input pins | V _I = V _{CC} † | 3.6 V | 10 | | μA |
| | | | 5.25 V | 20 | | |
| | I/O pins‡ | V _I = V _{CC} † | 3.6 V | 20 | | |
| | | | 5.25 V | 25 | | |
| I _{IL} Low-level input current | Input pins | V _I = GND | 3.6 V to 5.25 V | -1 | | μA |
| | I/O pins‡ | V _I = GND | 3.6 V to 5.25 V | -20 | | |
| I _{OZ} High-impedance output current | | V _O = V _{CCP} or GND | | ±20 | | μA |

† For PCI pins, V_{CC} = V_{CCP}.

‡ For I/O pins, the input leakage current includes the off-state output current I_{OZ}.

PCI clock/reset timing requirements over recommended ranges of supply voltage and operating free-air temperature (see Figure 7 and Figure 8)

| | ALTERNATE SYMBOL | MIN | MAX | UNIT |
|--|---------------------------------|-----|-----|------|
| t _c Cycle time, PCLK | t _{cyc} | 30 | ∞ | ns |
| t _{wH} Pulse duration, PCLK high | t _{high} | 11 | | ns |
| t _{wL} Pulse duration, PCLK low | t _{low} | 11 | | ns |
| Δv/Δt Slew rate, PCLK | t _r , t _f | 1 | 4 | V/ns |
| t _w Pulse duration, RSTIN | t _{rst} | 1 | | ms |
| t _{su} Setup time, PCLK active at end of RSTIN (see Note 3) | t _{rst-clk} | 100 | | μs |

NOTE 3: The setup and hold times for the secondary are identical to those for the primary; however, the times are relative to the secondary PCI close.

PCI timing requirements over recommended ranges of supply voltage and operating free-air temperature (see Note 4 and Figure 6 and Figure 9)

| | ALTERNATE SYMBOL | TEST CONDITIONS | MIN | MAX | UNIT |
|--|--|------------------------------------|-----|-----|------|
| t _{pd} Propagation delay time | PCLK to shared signal valid delay time | C _L = 50 pF, See Note 5 | | 11 | ns |
| | PCLK to shared signal invalid delay time | | | 2 | |
| t _{en} Enable time, high-impedance-to-active delay time from PCLK | t _{on} | | 2 | | ns |
| t _{dis} Disable time, active-to-high-impedance delay time from PCLK | t _{off} | | | 28 | ns |
| t _{su} Setup time before PCLK valid | t _{su} , See Note 3 | | 7 | | ns |
| t _h Hold time after PCLK high | t _h , See Note 3 | | 0 | | ns |

4. This data sheet uses the following conventions to describe time (t) intervals. The format is: t_A, where *subscript A* indicates the type of dynamic parameter being represented. One of the following is used: t_{pd} = propagation delay time, t_d = delay time, t_{su} = setup time, and t_h = hold time.

5. PCI shared signals are AD31-AD0, C/BE3-C/BE0, FRAME, TRDY, IRDY, STOP, IDSEL, DEVSEL, and PAR.



POST OFFICE BOX 655303 • DALLAS, TEXAS 75265

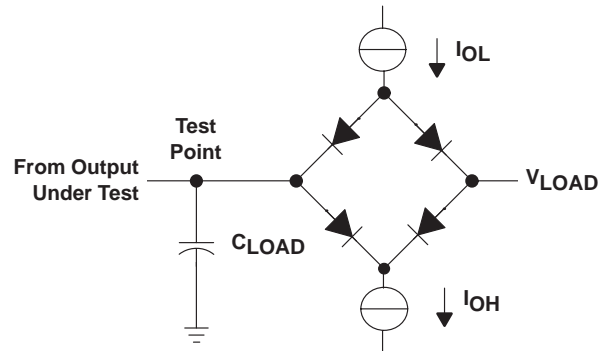
PARAMETER MEASUREMENT INFORMATION

LOAD CIRCUIT PARAMETERS

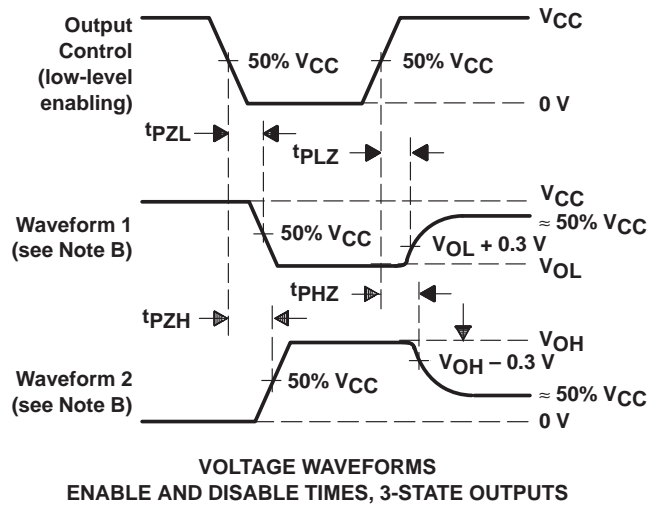
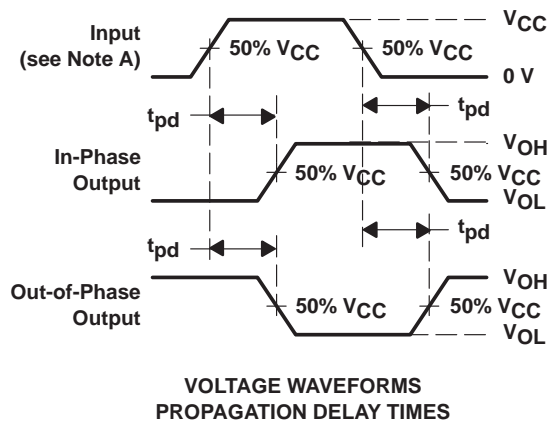
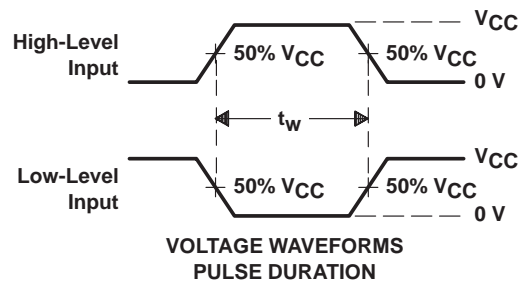
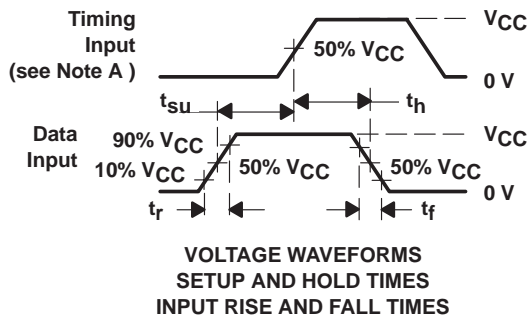
| TIMING PARAMETER | C_{LOAD}^{\dagger} (pF) | I_{OL} (mA) | I_{OH} (mA) | V_{LOAD} (V) | |
|------------------|---------------------------|---------------|---------------|----------------|-----|
| t_{en} | t_{PZH} | 50 | 8 | -8 | 0 |
| | t_{PZL} | | | | 3 |
| t_{dis} | t_{PHZ} | 50 | 8 | -8 | 1.5 |
| | t_{PLZ} | | | | ‡ |
| t_{pd} | 50 | 8 | -8 | ‡ | |

† C_{LOAD} includes the typical load-circuit distributed capacitance.

‡ $\frac{V_{LOAD} - V_{OL}}{I_{OL}} = 50 \Omega$, where $V_{OL} = 0.6 V$, $I_{OL} = 8 mA$



LOAD CIRCUIT



- NOTES: A. Phase relationships between waveforms were chosen arbitrarily. All input pulses are supplied by pulse generators having the following characteristics: PRR = 1 MHz, $Z_O = 50 \Omega$, $t_r \leq 6 ns$, $t_f \leq 6 ns$.
- B. Waveform 1 is for an output with internal conditions such that the output is low except when disabled by the output control. Waveform 2 is for an output with internal conditions such that the output is high except when disabled by the output control.
- C. For t_{PLZ} and t_{PHZ} , V_{OL} and V_{OH} are measured values.

Figure 6. Load Circuit and Voltage Waveforms

PCI BUS PARAMETER MEASUREMENT INFORMATION

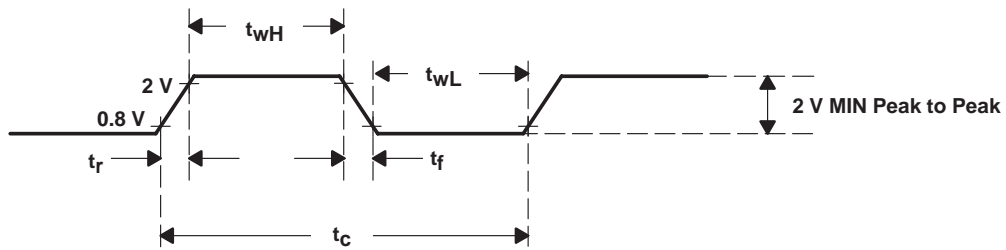


Figure 7. PCLK Timing Waveform

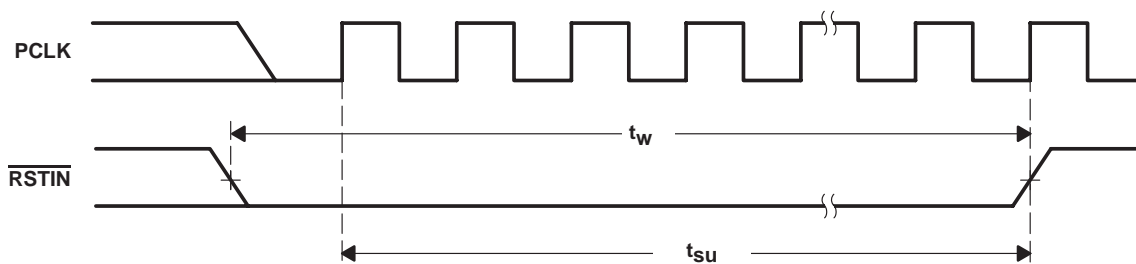


Figure 8. $\overline{\text{RSTIN}}$ Timing Waveforms

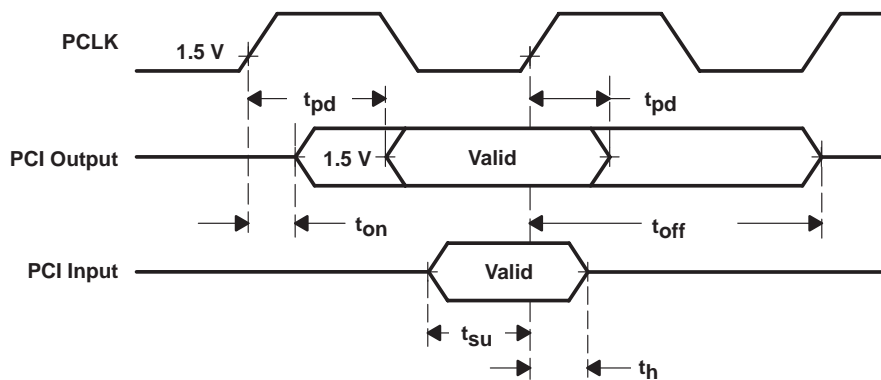
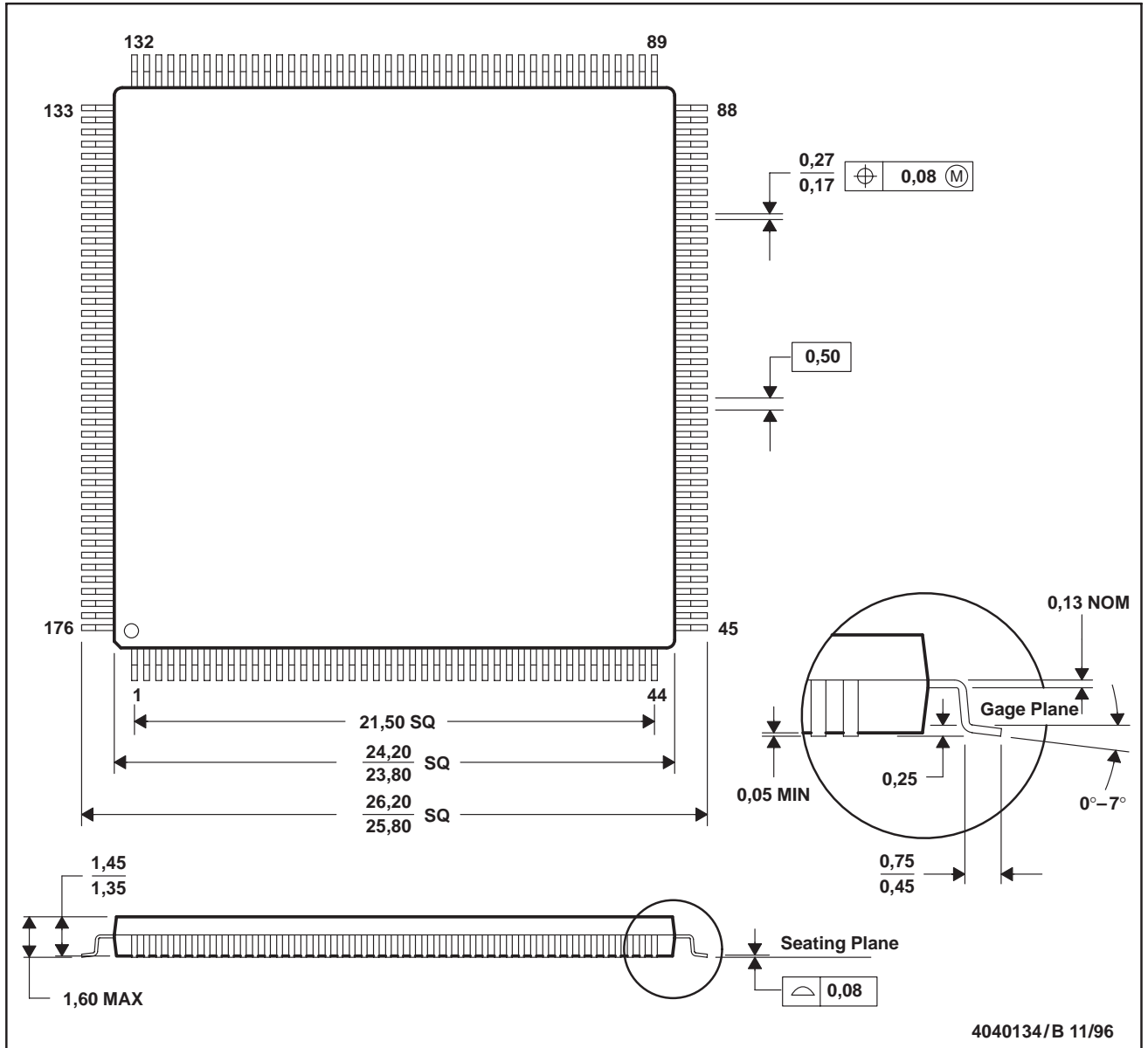


Figure 9. Shared-Signals Timing Waveforms

MECHANICAL DATA

PGF (S-PQFP-G176)

PLASTIC QUAD FLATPACK



- NOTES: A. All linear dimensions are in millimeters.
 B. This drawing is subject to change without notice.
 C. Falls within JEDEC MS-026

IMPORTANT NOTICE

Texas Instruments and its subsidiaries (TI) reserve the right to make changes to their products or to discontinue any product or service without notice, and advise customers to obtain the latest version of relevant information to verify, before placing orders, that information being relied on is current and complete. All products are sold subject to the terms and conditions of sale supplied at the time of order acknowledgement, including those pertaining to warranty, patent infringement, and limitation of liability.

TI warrants performance of its semiconductor products to the specifications applicable at the time of sale in accordance with TI's standard warranty. Testing and other quality control techniques are utilized to the extent TI deems necessary to support this warranty. Specific testing of all parameters of each device is not necessarily performed, except those mandated by government requirements.

CERTAIN APPLICATIONS USING SEMICONDUCTOR PRODUCTS MAY INVOLVE POTENTIAL RISKS OF DEATH, PERSONAL INJURY, OR SEVERE PROPERTY OR ENVIRONMENTAL DAMAGE ("CRITICAL APPLICATIONS"). TI SEMICONDUCTOR PRODUCTS ARE NOT DESIGNED, AUTHORIZED, OR WARRANTED TO BE SUITABLE FOR USE IN LIFE-SUPPORT DEVICES OR SYSTEMS OR OTHER CRITICAL APPLICATIONS. INCLUSION OF TI PRODUCTS IN SUCH APPLICATIONS IS UNDERSTOOD TO BE FULLY AT THE CUSTOMER'S RISK.

In order to minimize risks associated with the customer's applications, adequate design and operating safeguards must be provided by the customer to minimize inherent or procedural hazards.

TI assumes no liability for applications assistance or customer product design. TI does not warrant or represent that any license, either express or implied, is granted under any patent right, copyright, mask work right, or other intellectual property right of TI covering or relating to any combination, machine, or process in which such semiconductor products or services might be or are used. TI's publication of information regarding any third party's products or services does not constitute TI's approval, warranty or endorsement thereof.