

Multimode SCSI 14 Line Terminator

FEATURES

- Auto Selection Single Ended (SE) or Low Voltage Differential (LVD) Termination
- Meets SCSI-1, SCSI-2, SCSI-3, SPI, Ultra (Fast-20), Ultra2 (SPI-2 LVD) and Ultra3 Standards
- 2.7V to 5.25V Operation
- Differential Failsafe Bias
- Thermal packaging for low junction temperature and better MTBF.
- Reversed Polarity Disconnect

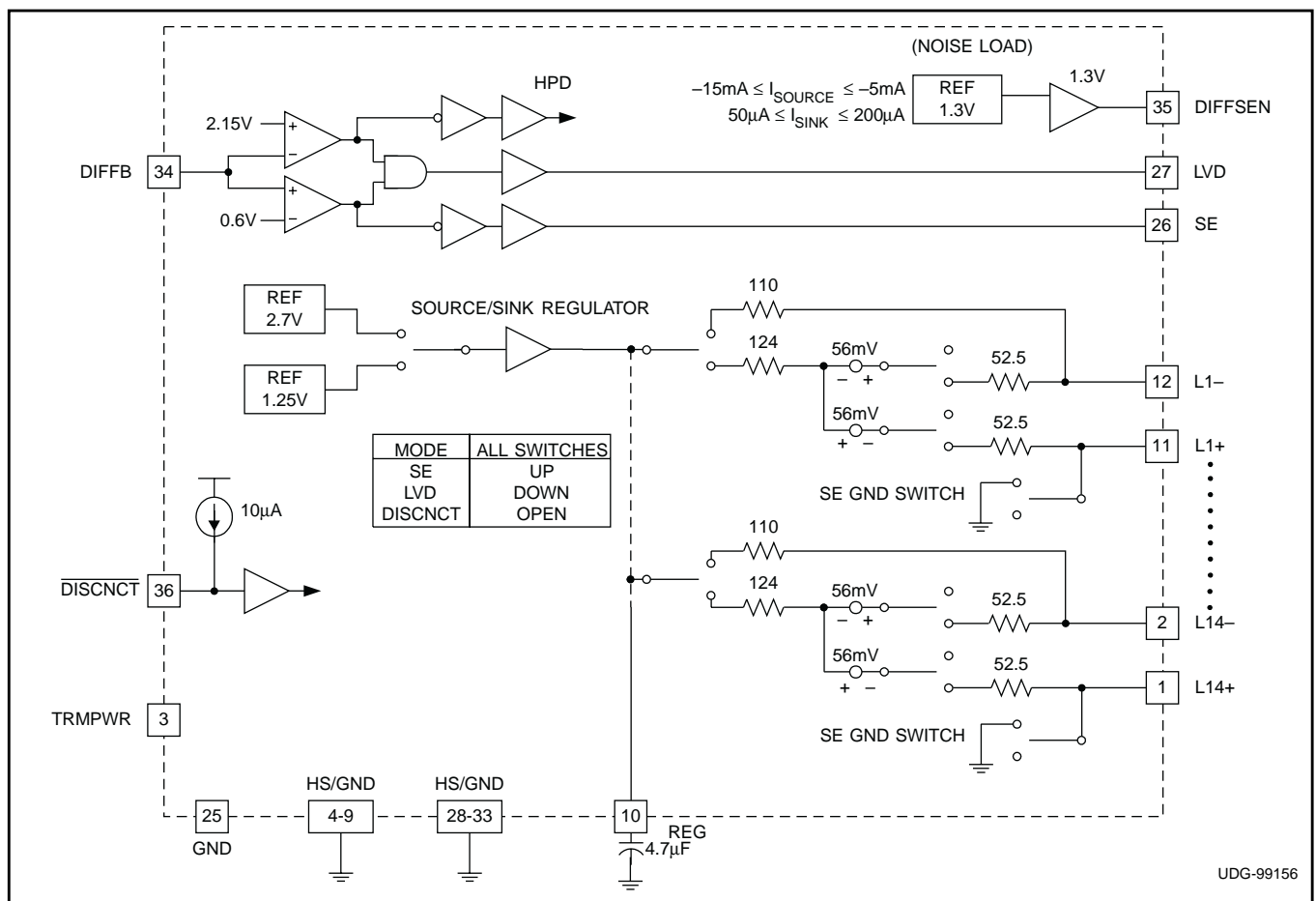
DESCRIPTION

The UCC5629 Multimode SCSI Terminator provides a smooth transition into the next generation of the SCSI Parallel Interface (SPI-2). It automatically senses the bus, via DIFFB, and switches the termination to either single ended (SE) or low voltage differential (LVD) SCSI, dependent on which type of devices are connected to the bus. The UCC5629 can not be used on a HVD, EIA485, differential SCSI bus. If the UCC5629 detects a HVD SCSI device, it switches to a high impedance state.

The Multimode terminator contains all functions required to terminate and auto detect and switch modes for SPI-2 bus architectures. Single Ended and Differential impedances and currents are trimmed for maximum effectiveness. Fail Safe biasing is provided to insure signal integrity. Device/Bus type detection circuitry is integrated into the terminator to provide automatic switching of termination between single ended and LVD SCSI and a high impedance for HVD SCSI. The multimode function provides all the performance analog functions necessary to implement SPI-2 termination in a single monolithic device.

The UCC5629 is offered in a 48 pin LQFP package for a temperature range of 0°C to 70°C.

BLOCK DIAGRAM



ABSOLUTE MAXIMUM RATINGS

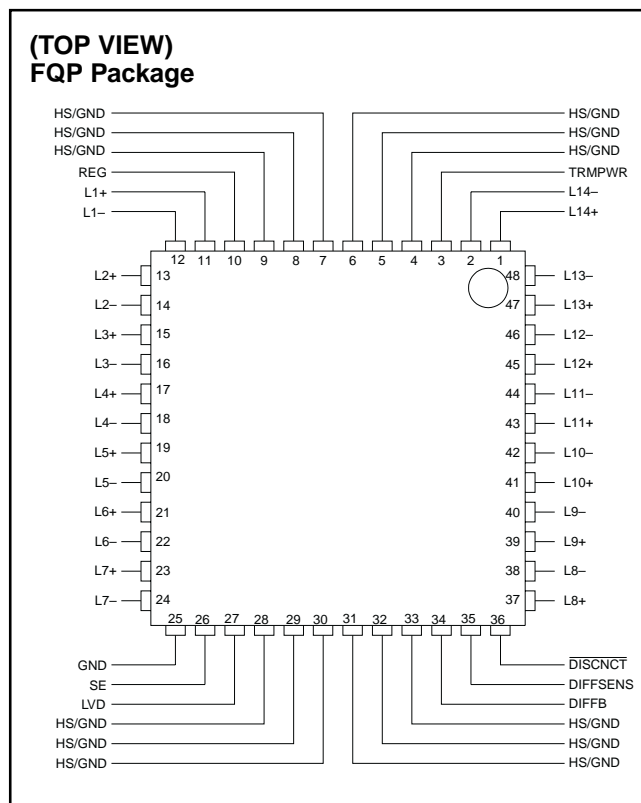
| | |
|---------------------------------------|-----------------|
| TRMPWR Voltage | +6V |
| Signal Line Voltage | 0V to TRMPWR |
| Package Dissipation | 2W |
| Storage Temperature | -65°C to +150°C |
| Junction Temperature | -55°C to +150°C |
| Lead Temperature (Soldering, 10 sec.) | +300°C |
| Recommended Operating Conditions | 2.7V to 5.25V |

Currents are positive into negative out of the specified terminal.
 Note: Consult Packaging Section of Databook for thermal limitations and considerations of package.

RECOMMENDED OPERATING CONDITIONS

| | |
|--------------------|---------------|
| TRMPWR Voltage | 2.7V to 5.25V |
| Temperature Ranges | 0°C to +70°C |

CONNECTION DIAGRAMS



ELECTRICAL CHARACTERISTICS Unless otherwise stated, these specifications apply for $T_A = T_J = 0^\circ\text{C}$ to 70°C , TRMPWR = 3.3V.

| PARAMETER | TEST CONDITIONS | MIN | TYP | MAX | UNITS |
|---|---|------|------|-------|---------------|
| TRMPWR Supply Current Section | | | | | |
| TRMPWR Supply Current | LVD Mode | | 20 | 25 | mA |
| | SE Mode | | 1.6 | 10 | mA |
| | Disabled Terminator | | 250 | 400 | μA |
| Regulator Section | | | | | |
| 1.25V Regulator | LVD Mode | 1.15 | 1.25 | 1.35 | V |
| 1.25V Regulator Source Current | $V_{\text{REG}} = 0\text{V}$ | -375 | -700 | -1000 | mA |
| 1.25V Regulator Sink Current | $V_{\text{REG}} = 3.3\text{V}$ | 170 | 300 | 700 | mA |
| 1.3V Regulator | Diff Sense | 1.2 | 1.3 | 1.4 | V |
| 1.3V Regulator Source Current | $V_{\text{REG}} = 0\text{V}$ | -15 | | -5 | mA |
| 1.3V Regulator Sink Current | $V_{\text{REG}} = 3.3\text{V}$ | 50 | | 200 | μA |
| 2.7V Regulator | SE Mode | 2.5 | 2.7 | 3.0 | V |
| 2.7V Regulator Source Current | $V_{\text{REG}} = 0\text{V}$ | -375 | -700 | -1000 | mA |
| 2.7V Regulator Sink Current | $V_{\text{REG}} = 3.3\text{V}$ | 170 | 300 | 700 | mA |
| Differential Termination Section | | | | | |
| Differential Impedance | | 100 | 105 | 110 | Ω |
| Common Mode Impedance | (Note 2) | 110 | 150 | 165 | Ω |
| Differential Bias Voltage | | 100 | | 125 | mV |
| Common Mode Bias | | 1.15 | 1.25 | 1.35 | V |
| Output Capacitance | Single Ended Measurement to Ground (Note 1) | | | 3 | pF |

ELECTRICAL CHARACTERISTICS Unless otherwise stated, these specifications apply for $T_A = T_J = 0^\circ\text{C}$ to 70°C , $\text{TRMPWR} = 3.3\text{V}$.

| PARAMETER | TEST CONDITIONS | MIN | TYP | MAX | UNITS |
|---|--|-------|-----|-------|---------------|
| Single Ended Termination Section | | | | | |
| Impedance | $Z = (V_{LX} - 0.2\text{V}) / I_{LX}$, (Note 3) | 102.3 | 110 | 117.7 | Ω |
| Termination Current | Signal Level 0.2V, All Lines Low | -21 | -24 | -25.4 | mA |
| | Signal Level 0.5V | -18 | | -22.4 | mA |
| Output Leakage | | | | 400 | nA |
| Output Capacitance | Single Ended Measurement to Ground (Note 1) | | | 3 | pF |
| Single Ended GND SE Impedance | $I = 10\text{mA}$ | | 20 | 60 | Ω |
| Disconnect and Diff Buffer Input Section | | | | | |
| DISCNCT Threshold | | 0.8 | | 2.0 | V |
| $\overline{\text{DISCNCT}}$ Input Current | | | 10 | 30 | μA |
| Diff Buffer Single Ended to LVD Threshold | | 0.5 | | 0.7 | V |
| Diff Buffer LVD to HPD Threshold | | 1.9 | | 2.4 | V |
| DIFFB Input Current | | -10 | | 10 | μA |
| Status Bits (SE, LVD) Output Section | | | | | |
| I_{SOURCE} | $V_{\text{LOAD}} = 2.4\text{V}$ | -4 | -6 | | mA |
| I_{SINK} | $V_{\text{LOAD}} = 0.4\text{V}$ | 2 | 5 | | mA |

Note 1: Guaranteed by design. Not 100% tested in production.

Note 2: $Z_{CM} = \frac{1.2\text{V}}{[I_{(V_{CM}+0.6\text{V})} - I_{(V_{CM}-0.6\text{V})}]}$ where V_{CM} =voltage measured with $L+$ tied to $L-$ and zero current applied

Note 3: V_{LX} = Output voltage for each terminator minus output pin ($L1-$ through $L14-$) with each pin unloaded.
 I_{LX} = Output current for each terminator minus output pin ($L1-$ through $L14-$) with the minus output pin forced to 0.2V.

PIN DESCRIPTIONS

DIFFB: Diff sense filter pin should be connected at a $0.1\mu\text{F}$ capacitor.

DIFSENS: The SCSI bus Diff Sense line to detect what types of devices are connected to the SCSI bus.

DISCNCT: Disconnect pin shuts down the terminator when it is not at the end of the bus. The disconnect pin high enables the terminator.

LINE $n-$: Signal line active line for single ended or negative line in differential applications for the SCSI bus.

LINE $n+$: Ground line for single ended or positive line for differential applications for the SCSI bus.

LVD: TTL Compatible status bit indicating that the device has detected the bus in LVD mode. If the terminator is connected it is in LVD mode.

REG: Regulator bypass pin, must be connected to a $4.7\mu\text{F}$ capacitor.

SE: TTL Compatible status bit indicating that the device has detected the bus in single ended mode. If the terminator is connected it is in single ended mode.

TRMPWR: V_{IN} 2.7V to 5.25V supply.

APPLICATION INFORMATION

The ucc5629 is a Multi-mode active terminator with selectable single ended (SE) and low voltage differential (LVD) SCSI termination integrated into a monolithic component. Mode selection is accomplished with the "diff sense" signal.

The diff sense signal is a three level signal, which is driven at each end of the bus by one active terminator. A LVD or multi-mode terminator drives the diff sense line to 1.3 V. If diff sense is at 1.3 V, then bus is in LVD mode. If a single ended SCSI device is plugged into the bus, the diff sense line is shorted to ground. With diff sense shorted to ground, the terminator changes to single ended mode to accommodate the SE device. If a HVD device is plugged in to the bus, the diff sense line is pulled high and the terminator shuts down.

The diff sense line is driven and monitored by the terminator through a 50Hz noise filter at the DIFFB input pin. A set of comparators, that allow for ground shifts, determine the bus status as follows. Any diff sense signal below 0.5V is single ended, between 0.7V and 1.9V is LVD and above 2.2V is HVD.

In the single ended mode, a multi-mode terminator has a 110Ω terminating resistor connected to a 2.7V termination voltage regulator. The 2.7V regulator is used on all Unitrode terminators designed for 3.3V systems. This requires the terminator to operate in specification down to 2.7V TRMPWR voltage to allow for the 3.3V supply tolerance, an unidirectional fusing device and cable drop. At each L+ pin, a ground driver drives the pin to ground, while in single ended mode. The ground driver is specially designed so it will not effect the capacitive balance of the bus when the device is in LVD or disconnect mode. The device requirements call for 1.5pF balance on the lines of a differential pair. The terminator capacitance has to be a small part of the capacitance imbalance.

Layout is very critical for Ultra2 and Ultra3 systems. Multi-layer boards need to adhere to the 120Ω impedance standard, including connector and feed-through. This is normally done on the outer layers with 4 mil etch

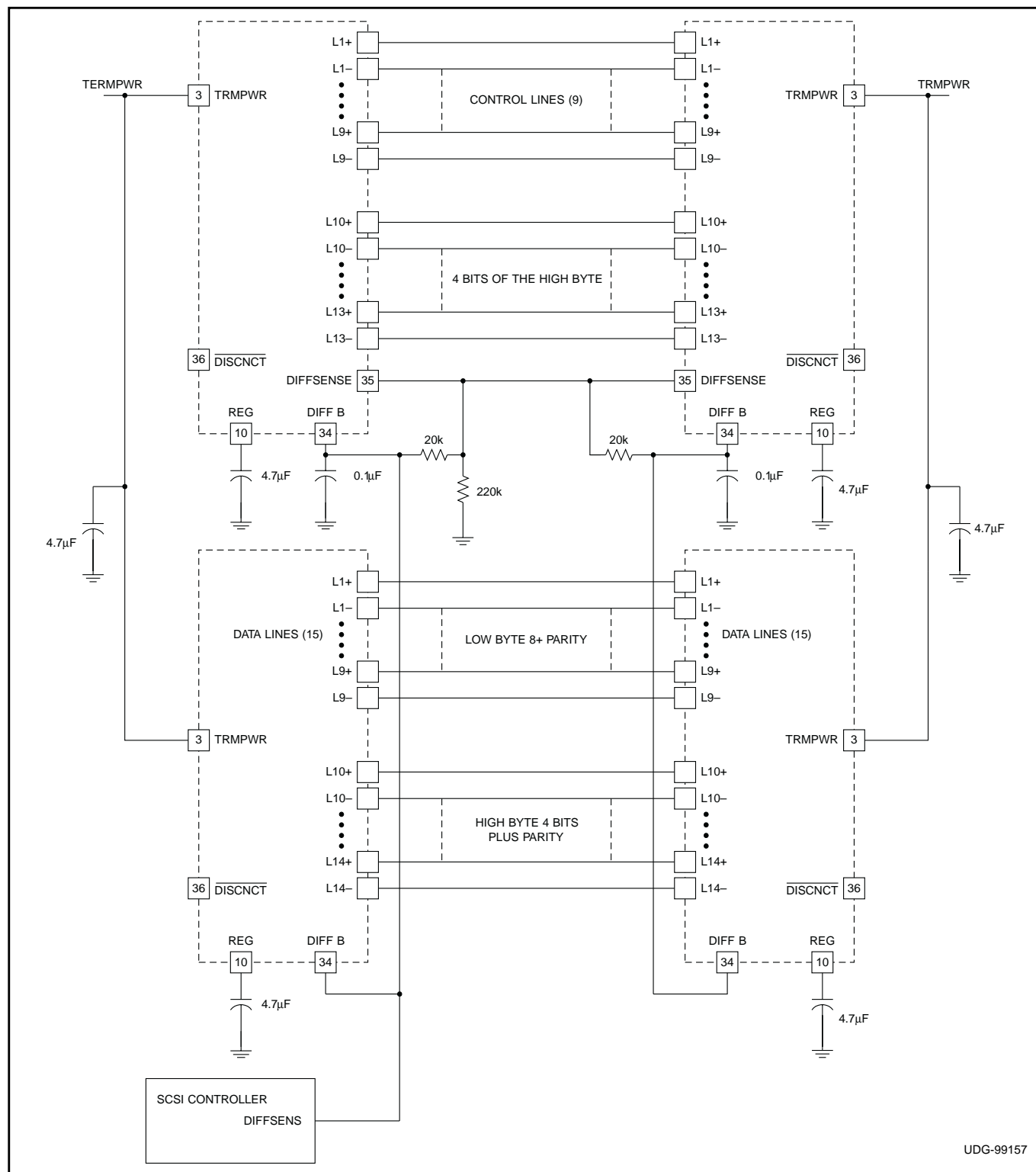
and 4 mil spacing between the runs within a pair, and a minimum of 8 mil spacing to the next pair. This spacing between the pairs reduces potential crosstalk. Beware of feed-throughs and each through hole connection adds a lot of capacitance. Standard power and ground plane spacing yields about 1pF to each plane. Each feed-through will add about 2.5pF to 3.5pF. Enlarging the clearance holes on both power and ground planes can reduce the capacitance and opening up the power and ground planes under the connector can reduce the capacitance for through hole connector applications. Microstrip technology is normally too low of impedance and should not be used. It is designed for 50Ω rather than 120Ω differential systems.

Capacitance balance is critical for Ultra2 and Ultra3. The balance capacitance standard is 0.5pF per line with the balance between pairs of 2pF. The components are designed with very tight balance, typically 0.1pF between pins in a pair and 0.3pF between pairs. Layout balance is critical, feed-throughs and etch length must be balanced, preferably no feed-throughs would be used. Capacitance for devices should be measured in the typical application, material and components above and below the circuit board effect the capacitance.

Multi-mode terminators need to consider power dissipation; the ucc5629 is offered in a power package with heat sink ground pins. These heat sink/ground pins are directly connected to the die mount paddle under the die and conduct heat from the die to reduce the junction temperature. These pins need to be connected to etch area or a feed-through per pin connecting to the ground plane layer on a multi-layer board.

In 3.3V TRMPWR systems, the UCC3912 should be used to replace the fuse and diode. This reduces the voltage drop, allowing for cable drop to the far end terminator. 3.3V battery systems normally have a 10% tolerance. The UCC3912 is 150mV drop under LVD loads, allowing 150mV drop in the cable system. All Unitrode LVD and multi-mode terminators are designed for 3.3V systems, operating down to 2.7V.

TYPICAL APPLICATION



UDG-99157

Note: A 220k resistor is added to ground to insure the transceivers will come up in single-ended mode when no terminator is enabled. The controller DIFFSENS ties to the DIFFB pin on the terminators, only one RC network should be on a device.