

18-Line Low Capacitance SCSI Active Terminator

FEATURES

- Complies with SCSI, SCSI-2 and SPI-2 Standards
- 6pF Channel Capacitance during Disconnect
- 100µA Supply Current in Disconnect Mode
- Meets SCSI Hot Plugging Capability
- -650mA Sourcing Current for Termination
- +200mA Sinking Current for Active Negation
- Provides Active Termination for 18 Lines
- Logic Command Disconnects all Termination Lines
- Trimmed Termination Current to 5%
- Trimmed Impedance to 5%
- Current Limit and Thermal Shutdown Protection

DESCRIPTION

The UC5608 provides 18 lines of active termination for a SCSI (Small Computer Systems Interface) parallel bus. The SCSI standard recommends active termination at both ends of the bus cable.

The UC5608 is pin-for-pin compatible with its predecessors, the UC5601 and UC5602 - 18 Line Active Terminator. Parametrically the UC5608 has a 5% tolerance on impedance and current compared to a 3% tolerance on the UC5601 and the sink current is increased from 20 to 200mA. The low side clamps have been removed. Custom power packages are utilized to allow normal operation at full power conditions (2 Watts).

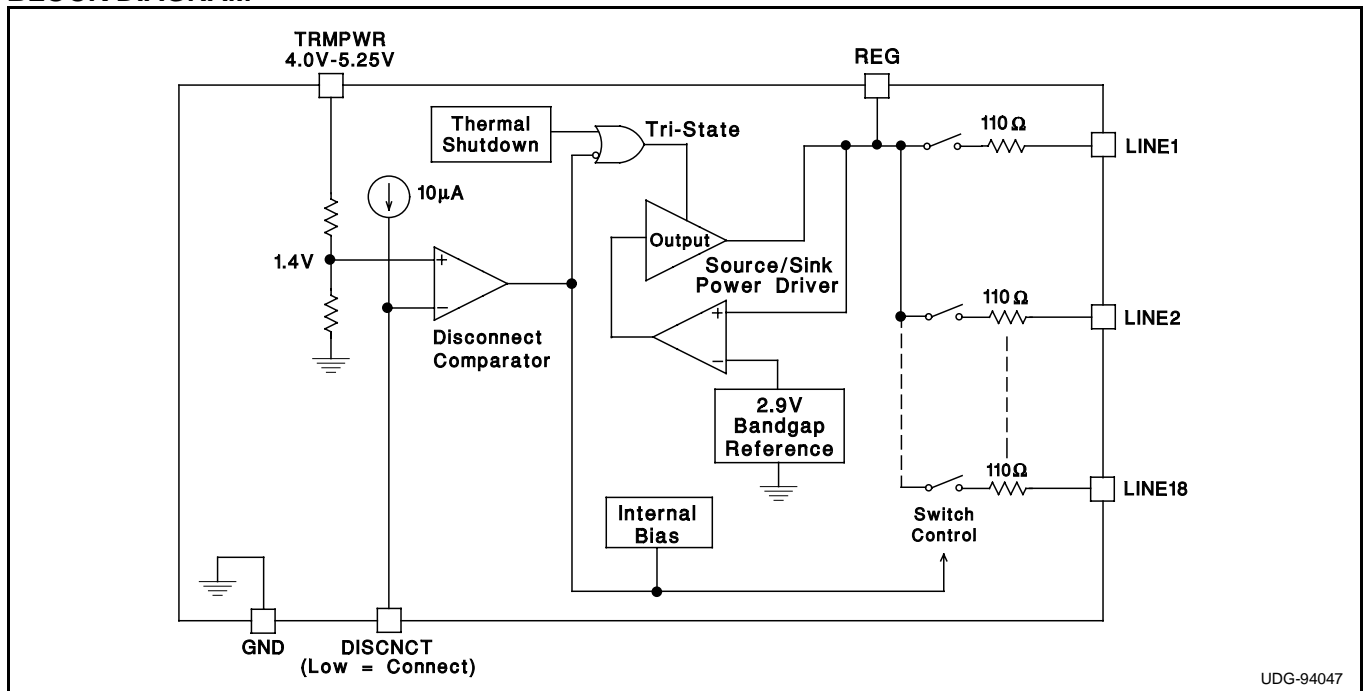
When in disconnect mode the terminator will disconnect all terminating resistors and disable the regulator, greatly reducing standby power. The output channels remain high impedance even without Tempwr applied.

Internal circuit trimming is utilized to trim the impedance to a 5% tolerance and, most importantly, to trim the output current to a 5% tolerance, as close to the max SCSI spec as possible, which maximizes noise margin in fast SCSI operation.

Other features include 4.0 to 5.25V Tempwr, thermal shutdown and current limit.

This device is offered in low thermal resistance versions of the industry standard 28 pin wide body SOIC, 28 pin wide body TSSOP, and 28 pin PLCC, as well as 24 pin DIP.

BLOCK DIAGRAM



UDG-94047

Circuit Design Patented

ABSOLUTE MAXIMUM RATINGS

| | |
|---------------------------------------------|-----------------|
| Tempwr Voltage | +7V |
| Signal Line Voltage | 0V to +7V |
| Regulator Output Current | 1A |
| Storage Temperature | -65°C to +150°C |
| Operating Temperature | -55°C to +150°C |
| Lead Temperature (Soldering, 10 Sec.) | +300°C |

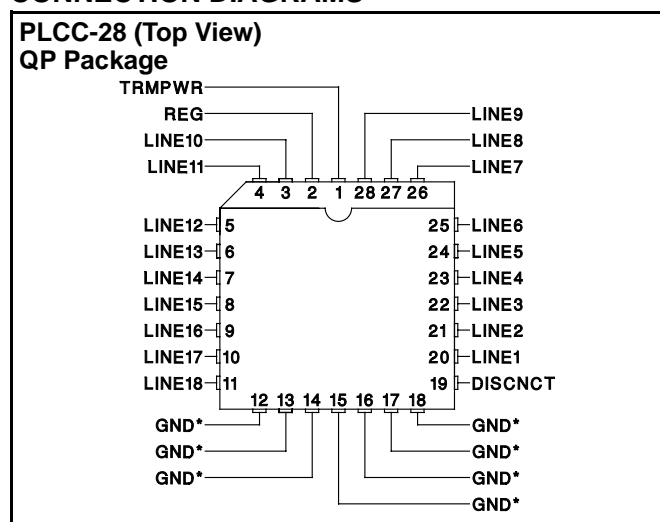
Unless otherwise specified all voltages are with respect to Ground. Currents are positive into, negative out of the specified terminal.

Consult Packaging Section of Unirode Integrated Circuits databook for thermal limitations and considerations of packages.

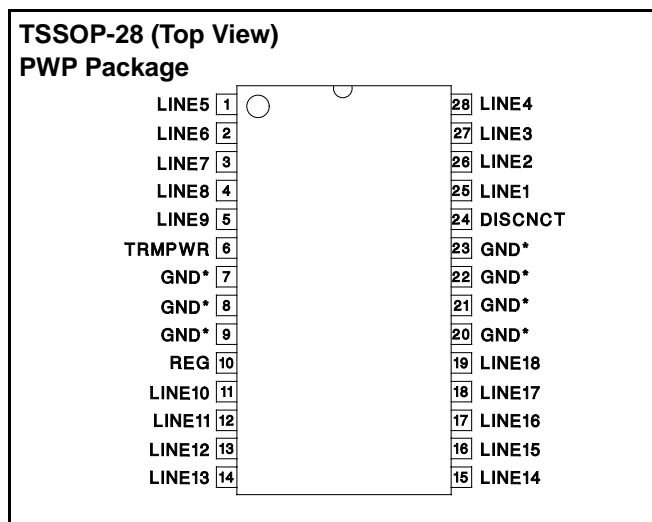
RECOMMENDED OPERATING CONDITIONS

| | |
|--------------------------------|---------------|
| Tempwr Voltage | 3.8V to 5.25V |
| Signal Line Voltage | 0V to +5V |
| Disconnect Input Voltage | 0V to Tempwr |

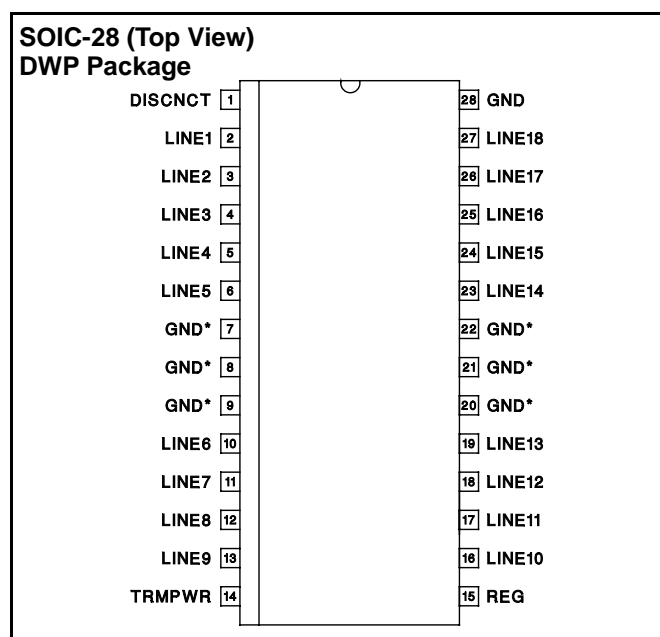
CONNECTION DIAGRAMS



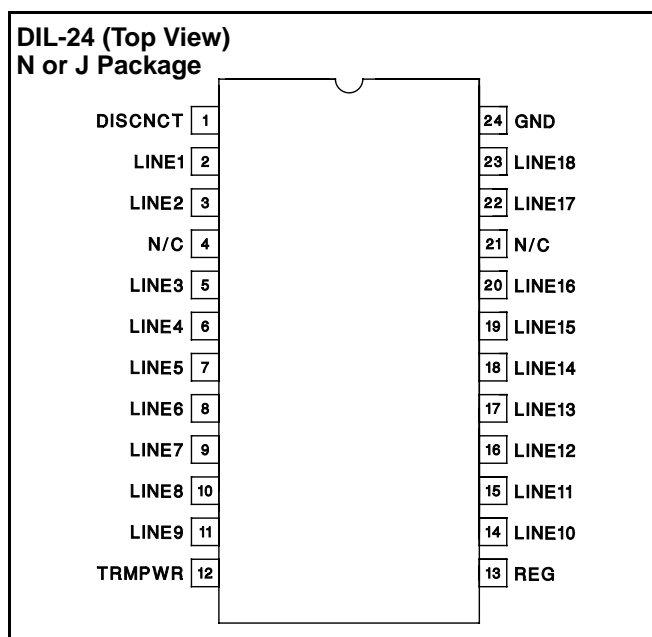
* QP package pins 12 - 18 serve as both heatsink and signal ground.



* PWP package pin 23 serves as signal ground; pins 7, 8, 9, 20, 21 and 22 serve as heatsink/ground.



* DWP package pin 28 serves as signal ground; pins 7, 8, 9, 20, 21, 22 serve as heatsink/ground.



Note: Drawings are not to scale.

ELECTRICAL CHARACTERISTICS Unless otherwise stated, these specifications apply for $T_A = 0^\circ\text{C}$ to 70°C . TRMPWR = 4.75V, DISCNCT = Ground. $T_A = T_J$.

| PARAMETER | TEST CONDITIONS | MIN | TYP | MAX | UNITS | |
|------------------------------------------|----------------------------------------------------------|----------------------------------------------------------------------------|--------------------------------------------|-------|------------------|---------------|
| Supply Current Section | | | | | | |
| Tempwr Supply Current | All termination lines = Open | | 17 | 25 | mA | |
| | All termination lines = 0.5V | | 400 | 430 | mA | |
| Power Down Mode | DISCNCT = Open | | 100 | 150 | μA | |
| Output Section (Terminator Lines) | | | | | | |
| Terminator Impedance | $\Delta I_{\text{LINE}} = -5\text{mA}$ to -15mA | 104.5 | 110 | 115.5 | Ohms | |
| Output High Voltage | $V_{\text{TRMPWR}} = 4\text{V}$ (Note 1) | 2.65 | 2.9 | 3.0 | V | |
| Max Output Current | $V_{\text{LINE}} = 0.5\text{V}$ | $T_J = 25^\circ\text{C}$ | -20.3 | -21.5 | -22.4 | mA |
| | | $0^\circ\text{C} < T_J < 70^\circ\text{C}$ | -19.8 | -21.5 | -22.4 | mA |
| Max Output Current | $V_{\text{LINE}} = 0.5\text{V}$, TRMPWR = 4V (Note 1) | $T_J = 25^\circ\text{C}$ | -19.5 | -21.5 | -22.4 | mA |
| | | $0^\circ\text{C} < T_J < 70^\circ\text{C}$ | -19.0 | -21.5 | -22.4 | mA |
| | | $V_{\text{LINE}} = 0.2\text{V}$, TRMPWR = 4V to 5.25V | $0^\circ\text{C} < T_J < 70^\circ\text{C}$ | -21.6 | -24.0 | -25.4 |
| Output Leakage | DISCNCT = 4V | TRMPWR = 0V to 5.25V REG = 0V | $V_{\text{LINE}} = 0$ to 4V | 10 | 400 | nA |
| | | TRMPWR = 0V to 5.25V, REG = Open $V_{\text{LINE}} = 0\text{V}$ to 5.25V | $V_{\text{LINE}} = 5.25\text{V}$ | | 100 | μA |
| | | | | 10 | 400 | nA |
| Output Capacitance | DISCNCT = Open (Note 2) | | 6 | 7 | pF | |
| Regulator Section | | | | | | |
| Regulator Output Voltage | | 2.8 | 2.9 | 3 | V | |
| Regulator Output Voltage | All Termination Lines = 4V | 2.8 | 2.9 | 3 | V | |
| Line Regulation | TRMPWR = 4V to 6V | | 10 | 20 | mV | |
| Drop Out Voltage | All Termination Lines = 0.5V | | 1.0 | 1.2 | V | |
| Short Circuit Current | $V_{\text{REG}} = 0\text{V}$ | -450 | -650 | -950 | mA | |
| Sinking Current Capability | $V_{\text{REG}} = 3.5\text{V}$ | 100 | 200 | 500 | mA | |
| Thermal Shutdown | | | 170 | | $^\circ\text{C}$ | |
| Thermal Shutdown Hysteresis | | | 10 | | $^\circ\text{C}$ | |
| Disconnect Section | | | | | | |
| Disconnect Threshold | | 1.1 | 1.4 | 1.7 | V | |

Note 1: Measuring each termination line while other 17 are low (0.5V).

Note 2: Guaranteed by design. Not 100% tested in production.

APPLICATION INFORMATION

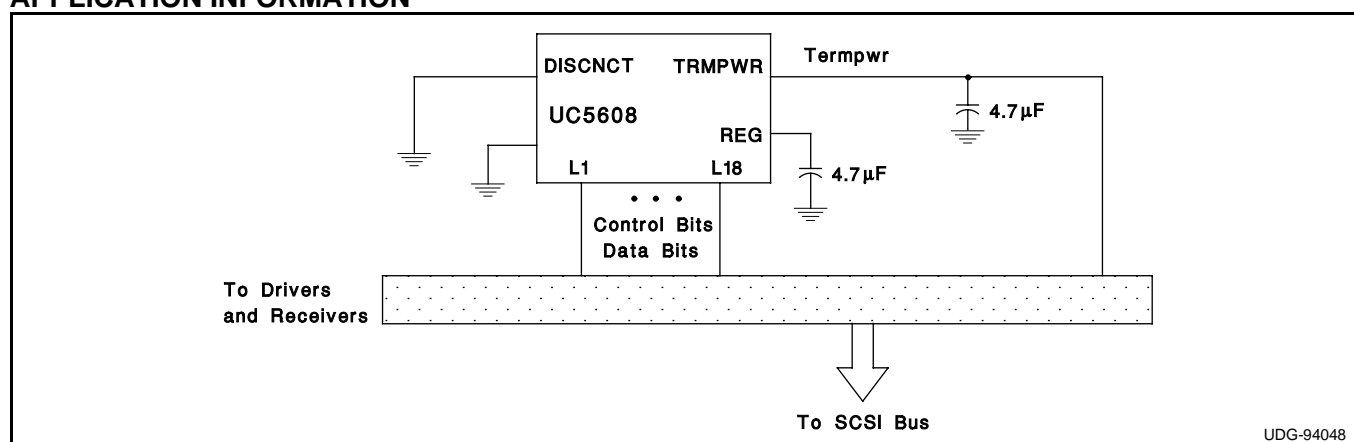


Figure 1: Typical SCSI Bus Configuration

IMPORTANT NOTICE

Texas Instruments and its subsidiaries (TI) reserve the right to make changes to their products or to discontinue any product or service without notice, and advise customers to obtain the latest version of relevant information to verify, before placing orders, that information being relied on is current and complete. All products are sold subject to the terms and conditions of sale supplied at the time of order acknowledgement, including those pertaining to warranty, patent infringement, and limitation of liability.

TI warrants performance of its semiconductor products to the specifications applicable at the time of sale in accordance with TI's standard warranty. Testing and other quality control techniques are utilized to the extent TI deems necessary to support this warranty. Specific testing of all parameters of each device is not necessarily performed, except those mandated by government requirements.

CERTAIN APPLICATIONS USING SEMICONDUCTOR PRODUCTS MAY INVOLVE POTENTIAL RISKS OF DEATH, PERSONAL INJURY, OR SEVERE PROPERTY OR ENVIRONMENTAL DAMAGE ("CRITICAL APPLICATIONS"). TI SEMICONDUCTOR PRODUCTS ARE NOT DESIGNED, AUTHORIZED, OR WARRANTED TO BE SUITABLE FOR USE IN LIFE-SUPPORT DEVICES OR SYSTEMS OR OTHER CRITICAL APPLICATIONS. INCLUSION OF TI PRODUCTS IN SUCH APPLICATIONS IS UNDERSTOOD TO BE FULLY AT THE CUSTOMER'S RISK.

In order to minimize risks associated with the customer's applications, adequate design and operating safeguards must be provided by the customer to minimize inherent or procedural hazards.

TI assumes no liability for applications assistance or customer product design. TI does not warrant or represent that any license, either express or implied, is granted under any patent right, copyright, mask work right, or other intellectual property right of TI covering or relating to any combination, machine, or process in which such semiconductor products or services might be or are used. TI's publication of information regarding any third party's products or services does not constitute TI's approval, warranty or endorsement thereof.