

Fast-Charge IC for Dual-Battery Packs

Features

- Sequential fast charge and conditioning of two NiCd or NiMH nickel cadmium or nickel-metal hydride battery packs
- Hysteretic PWM switch-mode current regulation or gated control of an external regulator
- Easily integrated into systems or used as a stand-alone charger
- Pre-charge qualification of temperature and voltage
- Direct LED outputs display battery and charge status
- Fast-charge termination by Δ temperature/ Δ time, $-\Delta V$, maximum voltage, maximum temperature, and maximum time
- Optional top-off and pulse-trickle charging

General Description

The bq2005 Fast-Charge IC provides comprehensive fast charge control functions together with high-speed switching power control circuitry on a monolithic CMOS device for sequential charge management in dual battery pack applications.

Integration of closed-loop current control circuitry allows the bq2005 to be the basis of a cost-effective solution for stand-alone and system-integrated chargers for batteries of one or more cells.

Switch-activated discharge-before-charge allows bq2005-based chargers to support battery conditioning and capacity determination.

High-efficiency power conversion is accomplished using the bq2005 as a hysteretic PWM controller for switch-mode regulation of the charging current. The bq2005 may alterna-

tively be used to gate an externally regulated charging current.

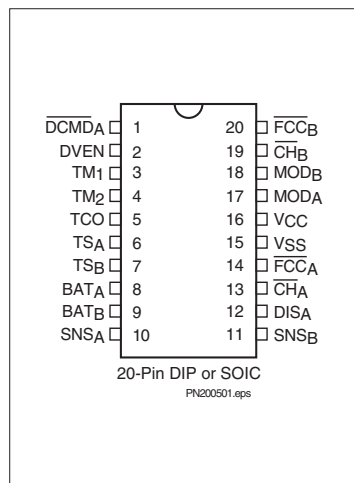
Fast charge may begin on application of the charging supply, replacement of the battery, or switch depression. For safety, fast charge is inhibited unless/until the battery temperature and voltage are within configured limits.

Temperature, voltage, and time are monitored throughout fast charge. Fast charge is terminated by any of the following:

- Rate of temperature rise ($\Delta T/\Delta t$)
- Negative delta voltage ($-\Delta V$)
- Maximum voltage
- Maximum temperature
- Maximum time

After fast charge, optional top-off and pulsed current maintenance phases are available.

Pin Connections



Pin Names

| | | | |
|-------------------------------------|--------------------------------------|-------------------------------------|--|
| DCMD _A | Discharge command input, battery A | DIS _A | Discharge control output, battery A |
| DVEN | $-\Delta V$ enable | CH _A , CH _B | Charge status output, battery A/B |
| TM ₁ | Timer mode select 1 | FCC _A , FCC _B | Fast charge complete output, battery A/B |
| TM ₂ | Timer mode select 2 | VSS | System ground |
| TCO | Temperature cut-off | VCC | 5.0V \pm 10% power |
| TSA, TSB | Temperature sense input, battery A/B | MOD _A , MOD _B | Charge current control output, battery A/B |
| BAT _A , BAT _B | Battery voltage input, battery A/B | | |
| SNSA, SNSB | Sense resistor input, battery A/B | | |

bq2005

Pin Descriptions

DCMD_A Discharge-before-charge control input, battery A

DCMD_A controls the discharge-before-charge function of the bq2005. A negative-going pulse on DCMD_A initiates a discharge to EDV followed by a charge if conditions allow. By tying DCMD_A to ground, automatic discharge-before-charge is enabled on every new charge cycle start.

DVEN -ΔV enable input

This input enables/disables -ΔV charge termination. If DVEN is high, the -ΔV test is enabled. If DVEN is low, -ΔV test is disabled. The state of DVEN may be changed at any time.

TM₁-TM₂ Timer mode inputs

TM₁ and TM₂ are three-state inputs that configure the fast charge safety timer, -ΔV hold-off time, and that enhance/disable top-off. See Table 2.

TCO Temperature cutoff threshold input

Input to set maximum allowable battery temperature. If the potential between TS_A and SNS_A or TS_B and SNS_B is less than the voltage at the TCO input, then fast charge or top-off charge is terminated for the corresponding battery pack.

TS_A, TS_B Temperature sense inputs

Input, referenced to SNS_A or SNS_B, respectively, for an external thermistor monitoring battery temperature.

BAT_A, BAT_B Voltage inputs

The battery voltage sense input, referenced to SNS_{A,B}, respectively. This is created by a high-impedance resistor divider network connected between the positive and the negative terminals of the battery.

SNS_A, SNS_B Charging current sense inputs,

SNS_{A,B} controls the switching of MOD_{A,B} based on the voltage across an external sense resistor in the current path of the battery. SNS is the reference potential for the TS and BAT pins. If SNS is connected to V_{SS}, MOD switches high at the beginning of charge and low at the end of charge.

DIS_A

Discharge control output

Push-pull output used to control an external transistor to discharge battery A before charging.

CH_A, CH_B

Charge status outputs

Push-pull outputs indicating charging status for batteries A and B, respectively. See Figure 1 and Table 2.

FCC_A, FCC_B

Fast charge complete outputs

Open-drain outputs indicating fast charge complete for batteries A and B, respectively. See Figure 1 and Table 2.

MOD_A, MOD_B

Charge current control outputs

MOD_{A,B} is a push-pull output that is used to control the charging current to the battery. MOD_{A,B} switches high to enable charging current to flow and low to inhibit charging current flow to batteries A and B, respectively.

VCC

VCC supply input

5.0 V, ±10% power input.

VSS

Ground

Functional Description

Figure 3 shows a block diagram and Figure 4 shows a state diagram of the bq2005.

Battery Voltage and Temperature Measurements

Battery voltage and temperature are monitored for maximum allowable values. The voltage presented on the battery sense input, $BAT_{A,B}$, must be divided down to between $0.95 * V_{CC}$ and $0.475 * V_{CC}$ for proper operation. A resistor-divider ratio of:

$$\frac{RB1}{RB2} = \frac{N}{2.375} - 1$$

is recommended to maintain the battery voltage within the valid range, where N is the number of cells, RB1 is the resistor connected to the positive battery terminal, and RB2 is the resistor connected to the negative battery terminal. See Figure 1.

Note: This resistor-divider network input impedance to end-to-end should be at least 200kΩ and less than 1MΩ.

A ground-referenced negative temperature coefficient thermistor placed in proximity to the battery may be used as a low-cost temperature-to-voltage transducer. The temperature sense voltage input at $TS_{A,B}$ is developed using a resistor-thermistor network between V_{CC} and V_{SS} . See Figure 1. Both the $BAT_{A,B}$ and $TS_{A,B}$ inputs are referenced to $SNS_{A,B}$, so the signals used inside the IC are:

$$V_{BAT(A,B)} - V_{SNS(A,B)} = V_{CELL(A,B)}$$

and

$$V_{TS(A,B)} - V_{SNS(A,B)} = V_{TEMP(A,B)}$$

Discharge-Before-Charge

The \overline{DCMD}_A input is used to command discharge-before-charge via the DIS_A output. Once activated, DIS_A becomes active (high) until V_{CELL} falls below V_{EDV} where:

$$V_{EDV} = 0.475 * V_{CC} \pm 30mV$$

at which time DIS_A goes low and a new fast charge cycle begins.

The \overline{DCMD}_A input is internally pulled up to V_{CC} (its inactive state). Leaving the input unconnected, therefore, results in disabling discharge-before-charge. A negative going pulse on \overline{DCMD}_A initiates discharge-before-charge at any time regardless of the current state of the bq2005. If \overline{DCMD}_A is tied to V_{SS} , discharge-before-charge will be the first step in all newly started charge cycles.

Starting A Charge Cycle

A new charge cycle is started by (see Figure 2):

1. V_{CC} rising above 4.5V
2. V_{CELL} falling through the maximum cell voltage, V_{MCV} where:

$$V_{MCV} = 0.95 * V_{CC} \pm 30mV$$

If \overline{DCMD}_A is tied low, a discharge-before-charge will be executed as the first step of the new charge cycle. Otherwise, pre-charge qualification testing will be the first step.

The battery must be within the configured temperature and voltage limits before fast charging begins.

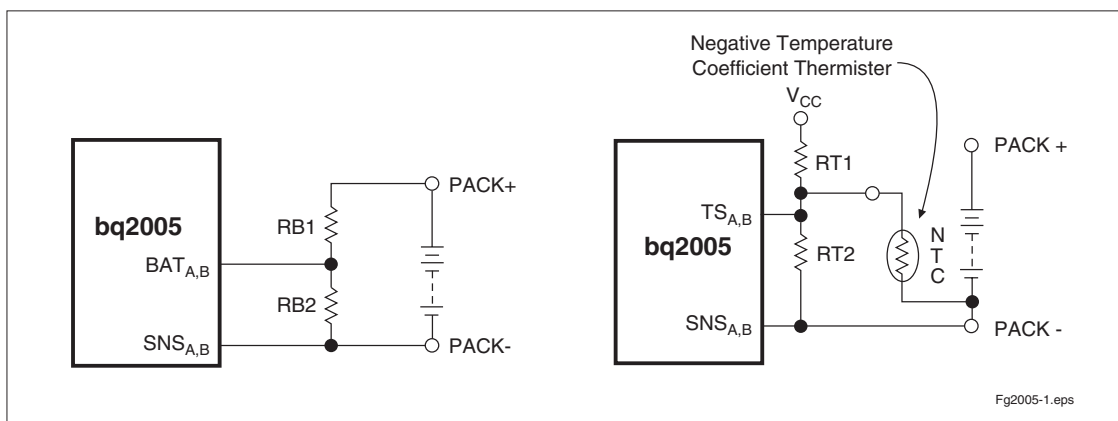


Figure 1. Voltage and Temperature Monitoring

bq2005

The valid battery voltage range is $V_{EDV} < V_{BAT} < V_{MCV}$. The valid temperature range is $V_{HTF} < V_{TEMP} < V_{LTF}$, where:

$$V_{LTF} = 0.4 * V_{CC} \pm 30mV$$

$$V_{HTF} = [(1/4 * V_{LTF}) + (3/4 * V_{TCO})] \pm 30mV$$

V_{TCO} is the voltage presented at the TCO input pin, and is configured by the user with a resistor divider between V_{CC} and ground. The allowed range is 0.2 to $0.4 * V_{CC}$.

If the temperature of the battery is out of range, or the voltage is too low, the chip enters the charge pending state and waits for both conditions to fall within their allowed limits. The $MOD_{A,B}$ output is modulated to provide the configured trickle charge rate in the charge pending state. There is no time limit on the charge

pending state; the charger remains in this state as long as the voltage or temperature conditions are outside of the allowed limits. If the voltage is too high, the chip goes to the battery absent state and waits until a new charge cycle is started.

Fast charge continues until termination by one or more of the five possible termination conditions:

- Delta temperature/delta time ($\Delta T/\Delta t$)
- Negative delta voltage ($-\Delta V$)
- Maximum voltage
- Maximum temperature
- Maximum time

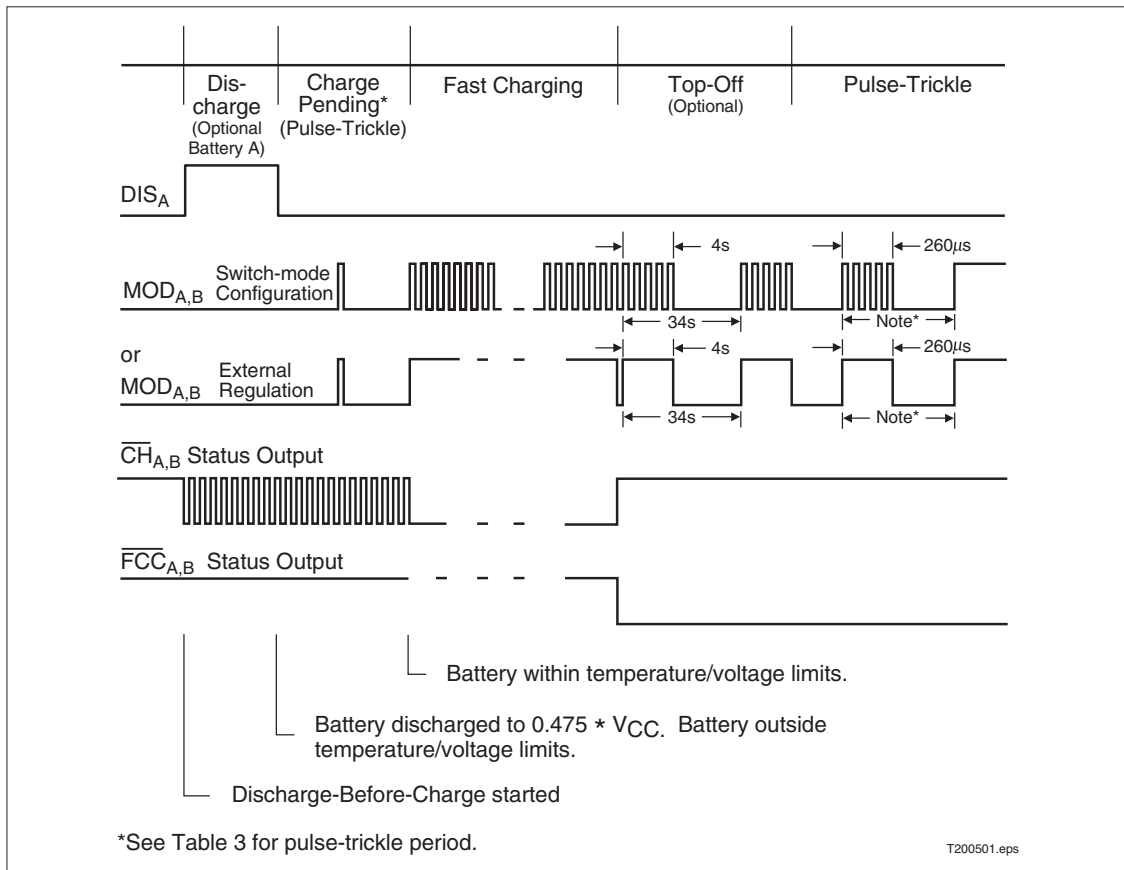


Figure 2. Charge Cycle Phases

Table 1. Fast Charge Safety Time/Hold-Off/Top-Off Table

| Corresponding Fast-Charge Rate | TM1 | TM2 | Typical Fast-Charge and Top-Off Time Limits | Typical $-\Delta V/MCV$ Hold-Off Time (seconds) | Top-Off Rate |
|--------------------------------|-------|-------|---|---|--------------|
| C/4 | Low | Low | 360 | 137 | Disabled |
| C/2 | Float | Low | 180 | 820 | Disabled |
| 1C | High | Low | 90 | 410 | Disabled |
| 2C | Low | Float | 45 | 200 | Disabled |
| 4C | Float | Float | 23 | 100 | Disabled |
| C/2 | High | Float | 180 | 820 | C/16 |
| 1C | Low | High | 90 | 410 | C/8 |
| 2C | Float | High | 45 | 200 | C/4 |
| 4C | High | High | 23 | 100 | C/2 |

Note: Typical conditions = 25°C, $V_{CC} = 5.0V$.

$-\Delta V$ Termination

If the DVEN input is high, the bq2005 samples the voltage at the BAT pin once every 34s. If V_{CELL} is lower than any previously measured value by $12mV \pm 4mV$, fast charge is terminated. The $-\Delta V$ test is valid in the range $V_{MCV} - (0.2 * V_{CC}) < V_{CELL} < V_{MCV}$.

Voltage Sampling

Each sample is an average of 16 voltage measurements taken 57 μs apart. The resulting sample period (18.18ms) filters out harmonics around 55Hz. This technique minimizes the effect of any AC line ripple that may feed through the power supply from either 50Hz or 60Hz AC sources. Tolerance on all timing is $\pm 16\%$.

Voltage Termination Hold-off

A hold-off period occurs at the start of fast charging. During the hold-off period, $-\Delta V$ termination is disabled. This avoids premature termination on the voltage spikes sometimes produced by older batteries when fast-charge current is first applied. $\Delta T/\Delta t$, maximum voltage and maximum temperature terminations are not affected by the hold-off period.

$\Delta T/\Delta t$ Termination

The bq2005 samples at the voltage at the TS pin every 34s, and compares it to the value measured two samples earlier. If V_{TEMP} has fallen $16mV \pm 4mV$ or more, fast charge is terminated. The $\Delta T/\Delta t$ termination test is valid only when $V_{TCO} < V_{TEMP} < V_{LTF}$.

Temperature Sampling

Each sample is an average of 16 voltage measurements taken 57 μs apart. The resulting sample period (18.18ms) filters out harmonics around 55Hz. This technique minimizes the effect of any AC line ripple that may feed through the power supply from either 50Hz or 60Hz AC sources. Tolerance on all timing is $\pm 16\%$.

Maximum Voltage, Temperature, and Time

Anytime V_{CELL} rises above V_{MCV} , CHG goes high (the LED goes off) immediately. If the bq2005 is not in the voltage hold-off period, fast charging also ceases immediately. If V_{CELL} then falls back below V_{MCV} before $t_{MCV} = 1s$ (maximum), the chip transitions to the Charge Complete state (maximum voltage termination). If V_{CELL} remains above V_{MCV} at the expiration of t_{MCV} , the bq2005 transitions to the Battery Absent state (battery removal). See Figure 4.

Maximum temperature termination occurs anytime the voltage on the TS pin falls below the temperature cut-off threshold V_{TCO} . Charge will also be terminated if V_{TEMP} rises above the minimum temperature fault threshold, V_{LTF} , after fast charge begins.

Maximum charge time is configured using the TM pin. Time settings are available for corresponding charge rates of C/4, C/2, 1C, and 2C. Maximum time-out termination is enforced on the fast-charge phase, then reset, and enforced again on the top-off phase, if selected. There is no time limit on the trickle-charge phase.

Top-off Charge

An optional top-off charge phase may be selected to follow fast charge termination for the C/2 through 4C rates. This phase may be necessary on NiMH or other

bq2005

battery chemistries that have a tendency to terminate charge prior to reaching full capacity. With top-off enabled, charging continues at a reduced rate after fast-charge termination for a period of time selected by the TM₁ and TM₂ input pins. (See Table 2.) During top-off, the CC pin is modulated at a duty cycle of 4s active for every 30s inactive. This modulation results in an average rate 1/8th that of the fast charge rate. Maximum voltage, time, and temperature are the only termination methods enabled during top-off.

Pulse-Trickle Charge

Pulse-trickle charging follows the fast charge and optional top-off charge phases to compensate for self-discharge of the battery while it is idle in the charger. The configured pulse-trickle rate is also applied in the charge pending state to raise the voltage of an over-discharged battery up to the minimum required before fast charge can begin.

In the pulse-trickle mode, MOD is active for 260µs of a period specified by the settings of TM1 and TM2. See Table 1. The resulting trickle-charge rate is C/64 when top-off is enabled and C/32 when top-off is disabled. Both pulse trickle and top-off may be disabled by tying TM1 and TM2 to V_{SS}.

Charge Status Indication

Charge status is indicated by the CHG output. The state of the CHG output in the various charge cycle phases is shown in Figure 4 and illustrated in Figure 2.

Temperature status is indicated by the TEMP output. TEMP is in the high state whenever V_{TEMP} is within the temperature window defined by the V_{LTF} and V_{HTF} temperature limits, and is low when the battery temperature is outside these limits.

In all cases, if V_{CELL} exceeds the voltage at the MCV pin, both CHG and TEMP outputs are held high regardless of other conditions. CHG and TEMP may both be used to directly drive an LED.

Pack Sequencing

If both batteries A and B are present when a new charge cycle is started, the charge cycle starts on battery B and B remains the active channel until fast charge termination. Then battery A will be fast charged, followed by a top-off phase on B (if selected), a top-off phase on A (if

selected), and then maintenance charging on both. If only battery A is present, the charge cycle begins on A and continues until fast charge termination even if a battery is inserted in channel B in the meantime. A new battery insertion in channel B while A is in the top-off phase terminates top-off on A and begins a new charge cycle on B. If A is configured for or commanded to discharge-before-charge, the discharge may take place while channel B is the active charging channel. When the discharge is complete, if B is still the active channel battery A enters the Charge Pending state until A becomes the active channel.

Charge Current Control

The bq2005 controls charge current through the MOD_{A,B} output pin. The current control circuitry is designed to support implementation of a constant-current switching regulator or to gate an externally regulated current source.

When used in switch mode configuration, the nominal regulated current is:

$$I_{REG} = 0.225V/R_{SNS}$$

Charge current is monitored at the SNS_{A,B} input by the voltage drop across a sense resistor, R_{SNS}, between the low side of the battery pack and ground. R_{SNS} is sized to provide the desired fast charge current.

If the voltage at the SNS_{A,B} pin is less than V_{SNSLO}, the MOD_{A,B} output is switched high to pass charge current to the battery.

When the SNS_{A,B} voltage is greater than V_{SNSHI}, the MOD_{A,B} output is switched low—shutting off charging current to the battery.

$$V_{SNSLO} = 0.04 * V_{CC} \pm 25mV$$

$$V_{SNSHI} = 0.05 * V_{CC} \pm 25mV$$

When used to gate an externally regulated current source, the SNS_{A,B} pin is connected to V_{SS}, and no sense resistor is required.

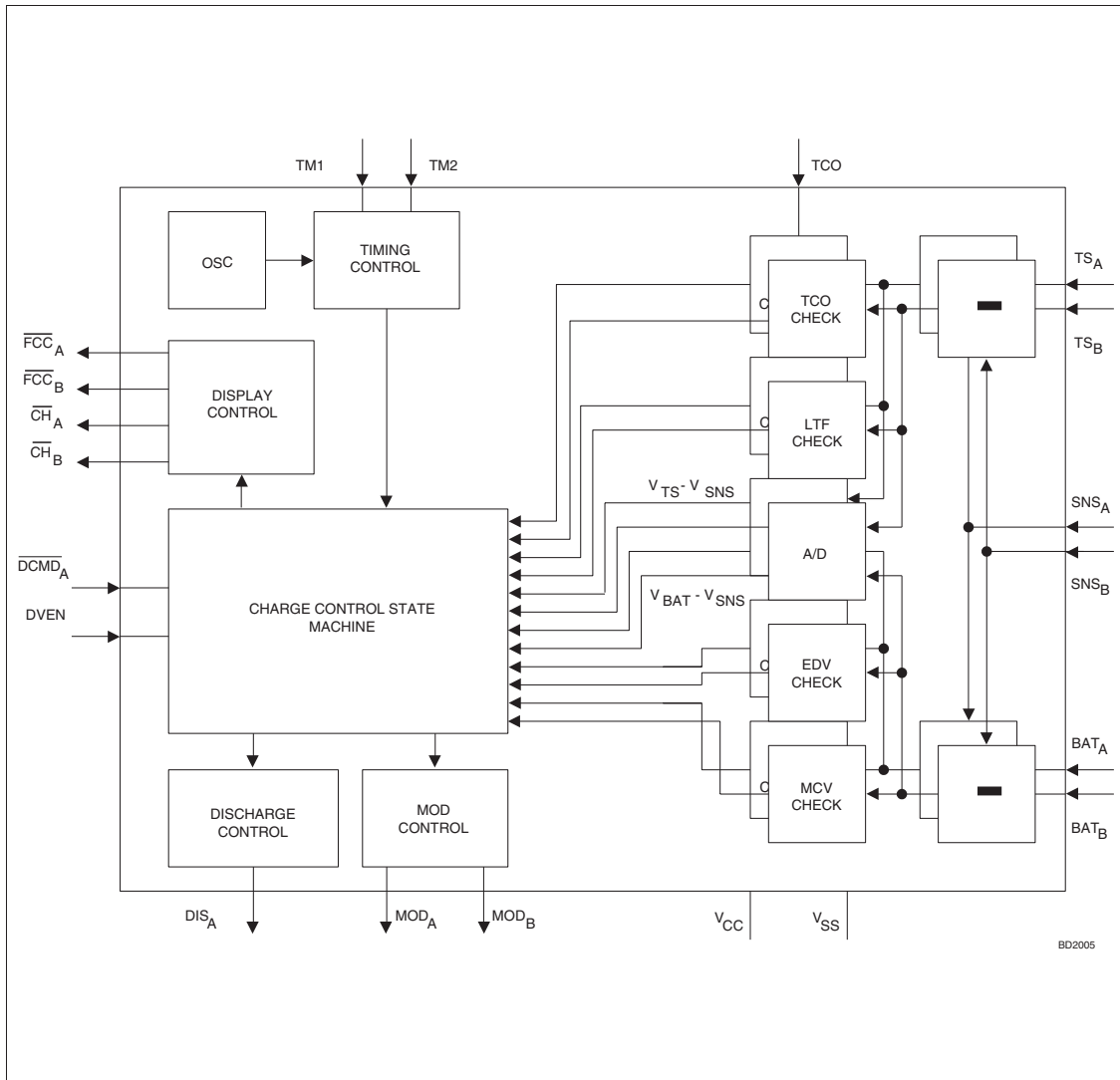


Figure 3. Block Diagram

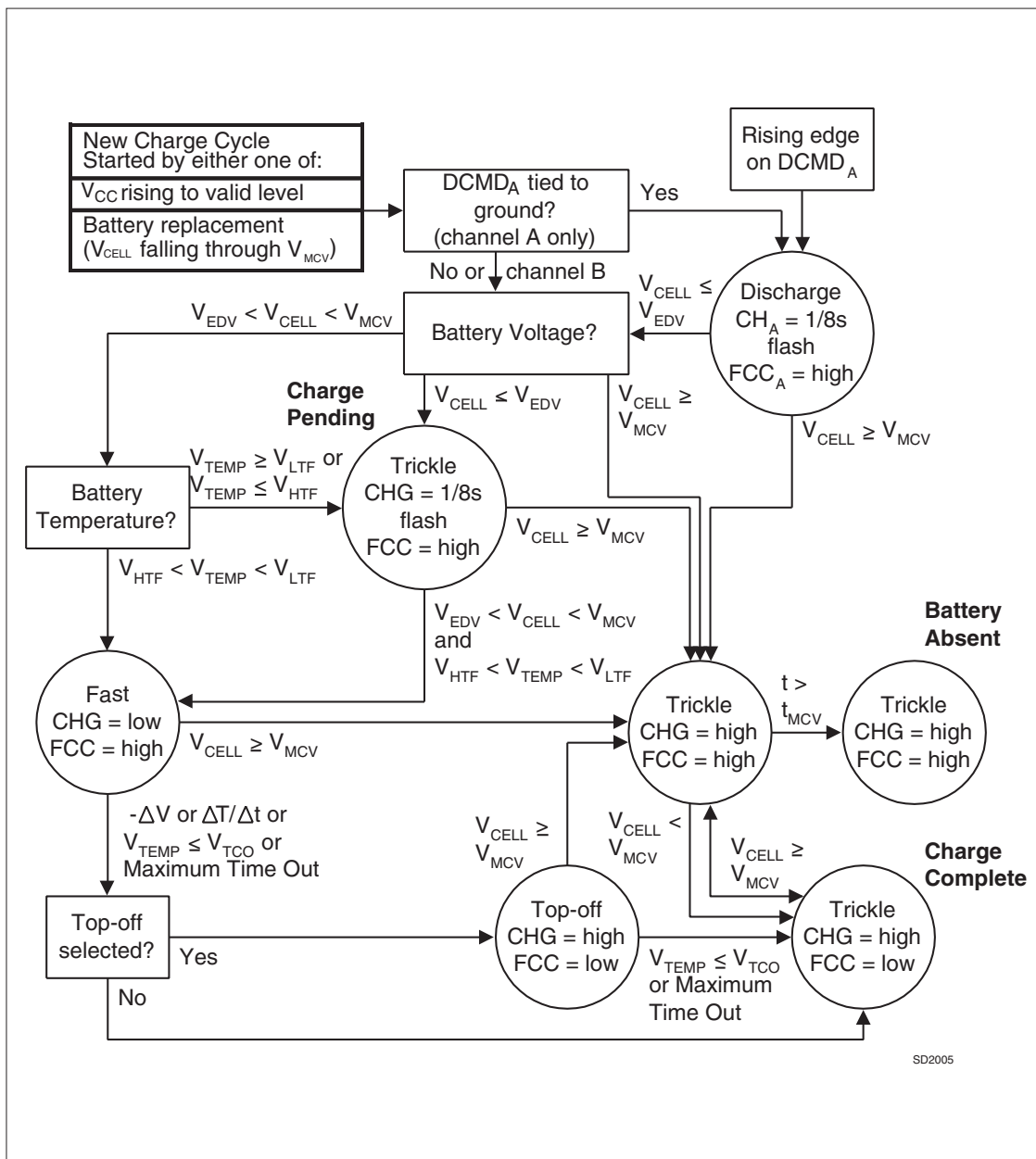


Figure 4. State Diagram

Absolute Maximum Ratings

| Symbol | Parameter | Minimum | Maximum | Unit | Notes |
|---------------------|---|---------|---------|------|-------------|
| V _{CC} | V _{CC} relative to V _{SS} | -0.3 | +7.0 | V | |
| V _T | DC voltage applied on any pin excluding V _{CC} relative to V _{SS} | -0.3 | +7.0 | V | |
| T _{OPR} | Operating ambient temperature | -20 | +70 | °C | Commercial |
| T _{STG} | Storage temperature | -55 | +125 | °C | |
| T _{SOLDER} | Soldering temperature | - | +260 | °C | 10 sec max. |
| T _{BIAS} | Temperature under bias | -40 | +85 | °C | |

Note: Permanent device damage may occur if **Absolute Maximum Ratings** are exceeded. Functional operation should be limited to the Recommended DC Operating Conditions detailed in this data sheet. Exposure to conditions beyond the operational limits for extended periods of time may affect device reliability.

DC Thresholds (T_A = T_{OPR}; V_{CC} ±10%)

| Symbol | Parameter | Rating | Tolerance | Unit | Notes |
|--------------------|--|---|-----------|------|---|
| V _{SNSHI} | High threshold at SNS _{A,B} resulting in MOD _{A,B} = Low | 0.05 * V _{CC} | ±0.025 | V | |
| V _{SNSLO} | Low threshold at SNS _{A,B} resulting in MOD _{A,B} = High | 0.04 * V _{CC} | ±0.010 | V | |
| V _{LTF} | Low-temperature fault | 0.4 * V _{CC} | ±0.030 | V | V _{TEMP} ≥ V _{LTF} inhibits/terminates charge |
| V _{HTF} | High-temperature fault | (1/4 * V _{LTF}) + (3/4 * V _{TCO}) | ±0.030 | V | V _{TEMP} ≤ V _{HTF} inhibits charge |
| V _{EDV} | End-of-discharge voltage | 0.475 * V _{CC} | ±0.030 | V | V _{CELL} < V _{EDV} inhibits fast charge |
| V _{MCV} | Maximum cell voltage | 0.95 * V _{CC} | ±0.030 | V | V _{CELL} > V _{MCV} inhibits/terminates charge |
| V _{THERM} | TS input change for ΔT/Δt detection | 16 | ±4 | mV | |
| -ΔV | BAT input change for -ΔV detection | 12 | ±4 | mV | |

bq2005

Recommended DC Operating Conditions ($T_A = 0$ to $+70^\circ\text{C}$)

| Symbol | Parameter | Minimum | Typical | Maximum | Unit | Notes |
|------------|--|----------------|---------|----------------|---------------|--|
| V_{CC} | Supply voltage | 4.5 | 5.0 | 5.5 | V | |
| V_{CELL} | BAT voltage potential | 0 | - | V_{CC} | V | $V_{BAT} - V_{SNS}$ |
| V_{BAT} | Battery input | 0 | - | V_{CC} | V | |
| V_{TEMP} | TS voltage potential | 0 | - | V_{CC} | V | $V_{TS} - V_{SNS}$ |
| V_{TS} | Thermistor input | 0 | - | V_{CC} | V | |
| V_{TCO} | Temperature cutoff | $0.2 * V_{CC}$ | - | $0.4 * V_{CC}$ | V | |
| V_{IH} | Logic input high | 2.0 | - | - | V | $\overline{DCMD}_A, DVEN$ |
| | Logic input high | $V_{CC} - 0.3$ | - | - | V | TM_1, TM_2 |
| V_{IL} | Logic input low | - | - | 0.8 | V | $\overline{DCMD}_A, DVEN$ |
| | Logic input low | - | - | 0.3 | V | TM_1, TM_2 |
| V_{OH} | Logic output high | $V_{CC} - 0.5$ | - | - | V | $DIS_A, MOD_{A,B}, I_{OH} \leq -5\text{mA}$ |
| V_{OL} | Logic output low | - | - | 0.5 | V | $DIS_A, \overline{FCC}_{A,B}, \overline{CH}_{A,B}, MOD_{A,B}, I_{OL} \leq 5\text{mA}$ |
| I_{CC} | Supply current | - | 1.0 | 3.0 | mA | Outputs unloaded |
| I_{OH} | $DIS_A, MOD_{A,B}$ source | -5.0 | - | - | mA | @ $V_{OH} = V_{CC} - 0.5\text{V}$ |
| I_{OL} | $DIS_A, \overline{FCC}_{A,B}, MOD_{A,B}, \overline{CH}_{A,B}$ sink | 5.0 | - | - | mA | @ $V_{OL} = V_{SS} + 0.5\text{V}$ |
| I_L | Input leakage | - | - | ± 1 | μA | $DVEN, V = V_{SS}$ to V_{CC} |
| | | - | - | -400 | μA | $\overline{DCMD}_A, V = V_{SS}$ |
| I_{IL} | Logic input low source | - | - | 70.0 | μA | $TM_1, TM_2, V = V_{SS}$ to $V_{SS} + 0.3\text{V}$ |
| I_{IH} | Logic input high source | -70.0 | - | - | μA | $TM_1, TM_2, V = V_{CC} - 0.3\text{V}$ to V_{CC} |
| I_{IZ} | TM_1, TM_2 tri-state open detection | -2.0 | - | 2.0 | μA | TM_1, TM_2 should be left disconnected (floating) for Z logic input state. |
| I_{BAT} | Input current to $BAT_{A,B}$ when battery is removed | - | - | -20 | μA | $V_{CC} = 5.0\text{V}; T_A = 25^\circ\text{C}$; input should be limited to this current when input exceeds V_{CC} . |

Note: All voltages relative to V_{SS} , except as noted.

Impedance

| Symbol | Parameter | Minimum | Typical | Maximum | Unit |
|---------------------|------------------------------------|---------|---------|---------|------|
| R _{BATA,B} | Battery A/B input impedance | 50 | - | - | MΩ |
| R _{TSA,B} | TS _{A,B} input impedance | 50 | - | - | MΩ |
| R _{TCO} | TCO input impedance | 50 | - | - | MΩ |
| R _{SNSA,B} | SNS _{A,B} input impedance | 50 | - | - | MΩ |

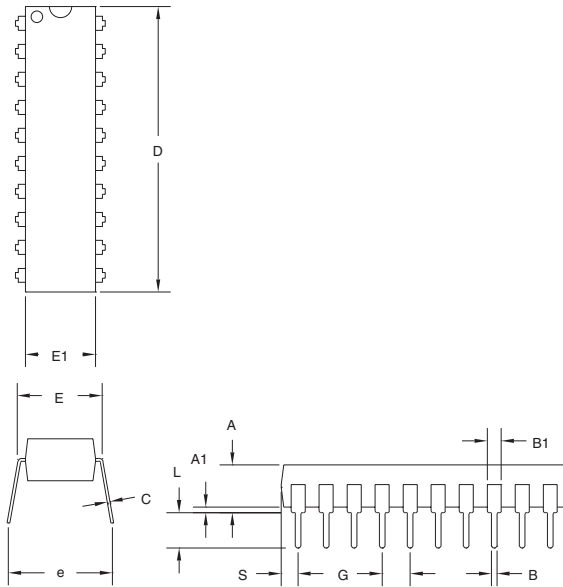
Timing (T_A = 0 to +70°C; V_{CC} ±10%)

| Symbol | Parameter | Minimum | Typical | Maximum | Unit | Notes |
|------------------|---|---------|---------|---------|------|--|
| t _{PW} | Pulse width for $\overline{\text{DCMD}}_{\text{A}}$ pulse command | 1 | - | - | μs | Pulse start for discharge-before-charge |
| d _{FCV} | Time base variation | -16 | - | 16 | % | V _{CC} = 4.5V to 5.5V |
| t _{REG} | MOD output regulation frequency | - | - | 300 | kHz | |
| t _{MCV} | Maximum voltage termination time limit | - | - | 1 | s | Time limit to distinguish battery removed from charge complete |

Note: Typical is at T_A = 25°C, V_{CC} = 5.0V.

bq2005

PN: 20-Pin DIP

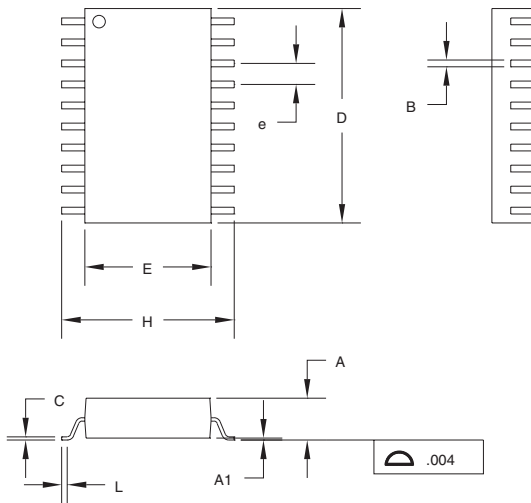


20-Pin PN(DIP)

| Dimension | Minimum | Maximum |
|-----------|---------|---------|
| A | 0.160 | 0.180 |
| A1 | 0.015 | 0.040 |
| B | 0.015 | 0.022 |
| B1 | 0.055 | 0.065 |
| C | 0.008 | 0.013 |
| D | 1.010 | 1.060 |
| E | 0.300 | 0.325 |
| E1 | 0.230 | 0.280 |
| e | 0.300 | 0.370 |
| G | 0.090 | 0.110 |
| L | 0.115 | 0.135 |
| S | 0.055 | 0.080 |

All dimensions are in inches.

S: 20-Pin SOIC



20-Pin S (SOIC)

| Dimension | Minimum | Maximum |
|-----------|---------|---------|
| A | 0.095 | 0.105 |
| A1 | 0.004 | 0.012 |
| B | 0.013 | 0.020 |
| C | 0.008 | 0.013 |
| D | 0.500 | 0.515 |
| E | 0.290 | 0.305 |
| e | 0.045 | 0.055 |
| H | 0.395 | 0.415 |
| L | 0.020 | 0.040 |

All dimensions are in inches.

bq2005

Data Sheet Revision History

| Change No. | Page No. | Description | Nature of Change |
|------------|----------|--|--|
| 3 | 9 | V _{SNSLO} rating | Was V _{SNSHI} - (0.01 * V _{CC}); is 0.04 * V _{CC} |
| 4 | 5 | Corrected sample period | Was: 32s; Is: 34s |
| 4 | 5, 9 | Corrected -AV threshold | Was: 13mV Is: 12mV |
| 4 | All | Revised and expanded format of this data sheet | Clarification |
| 5 | 9 | T _{OPR} | Deleted industrial temperature range. |

Notes: Change 3 = Sept. 1996 D changes from Nov. 1993 C.
Change 4 = Nov. 1997 E changes from Sept. 1996 D.
Change 5 = June 1999 F changes from Nov. 1997 E.

Ordering Information

bq2005

Package Option:

PN = 20-pin narrow plastic DIP
S = 20-pin SOIC

Device:

bq2005 Dual-Battery Fast-Charge IC

IMPORTANT NOTICE

Texas Instruments and its subsidiaries (TI) reserve the right to make changes to their products or to discontinue any product or service without notice, and advise customers to obtain the latest version of relevant information to verify, before placing orders, that information being relied on is current and complete. All products are sold subject to the terms and conditions of sale supplied at the time of order acknowledgement, including those pertaining to warranty, patent infringement, and limitation of liability.

TI warrants performance of its semiconductor products to the specifications applicable at the time of sale in accordance with TI's standard warranty. Testing and other quality control techniques are utilized to the extent TI deems necessary to support this warranty. Specific testing of all parameters of each device is not necessarily performed, except those mandated by government requirements.

CERTAIN APPLICATIONS USING SEMICONDUCTOR PRODUCTS MAY INVOLVE POTENTIAL RISKS OF DEATH, PERSONAL INJURY, OR SEVERE PROPERTY OR ENVIRONMENTAL DAMAGE ("CRITICAL APPLICATIONS"). TI SEMICONDUCTOR PRODUCTS ARE NOT DESIGNED, AUTHORIZED, OR WARRANTED TO BE SUITABLE FOR USE IN LIFE-SUPPORT DEVICES OR SYSTEMS OR OTHER CRITICAL APPLICATIONS. INCLUSION OF TI PRODUCTS IN SUCH APPLICATIONS IS UNDERSTOOD TO BE FULLY AT THE CUSTOMER'S RISK.

In order to minimize risks associated with the customer's applications, adequate design and operating safeguards must be provided by the customer to minimize inherent or procedural hazards.

TI assumes no liability for applications assistance or customer product design. TI does not warrant or represent that any license, either express or implied, is granted under any patent right, copyright, mask work right, or other intellectual property right of TI covering or relating to any combination, machine, or process in which such semiconductor products or services might be or are used. TI's publication of information regarding any third party's products or services does not constitute TI's approval, warranty or endorsement thereof.