

SN54ALS857, SN74ALS857 HEX 2-TO-1 UNIVERSAL MULTIPLEXERS WITH 3-STATE OUTPUTS

SDAS170A – DECEMBER 1982 – REVISED JANUARY 1995

- Select True or Complementary Data
- Perform AND/NAND (Masking) of A or B Operand
- Cascadable to Expand Number of Operands
- Detect Zeros on A or B Operands
- 3-State Outputs Interface Directly With System Bus
- Package Options Include Plastic Small-Outline (DW) Packages, Ceramic Chip Carriers (FK), and Standard Plastic (NT) and Ceramic (JT) 300-mil DIPs

description

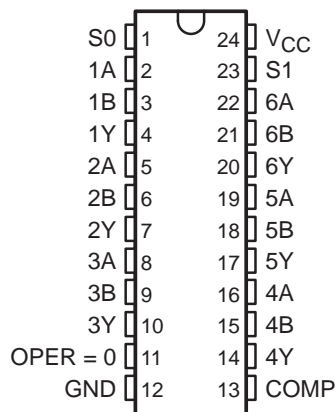
The 'ALS857 are hextuple 2-line to 1-line multiplexers with 3-state outputs. The devices can provide either true (COMP low) or inverted (COMP high) data at the Y outputs. In addition, the 'ALS857 perform the logical AND function ($A \cdot B$) and the clear function as well. The four modes of operation are:

- Select A-data inputs
- Select B-data inputs
- AND A inputs with B inputs
- Clear

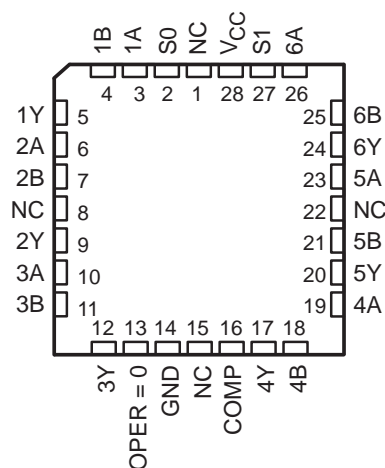
In either of the first two modes, OPER = 0 is high if all the selected A or B inputs are low. The six Y outputs and the OPER = 0 output are all 3-state and rated at 12-mA and 24-mA I_{OL} for the SN54ALS857 and SN74ALS857, respectively. All outputs can be placed in the high-impedance state by applying a high level to the COMP, S0, and S1 inputs simultaneously.

The SN54ALS857 is characterized for operation over the full military temperature range of -55°C to 125°C . The SN74ALS857 is characterized for operation from 0°C to 70°C .

SN54ALS857 . . . JT PACKAGE
SN74ALS857 . . . DW OR NT PACKAGE
(TOP VIEW)



SN54ALS857 . . . FK PACKAGE
(TOP VIEW)



NC – No internal connection

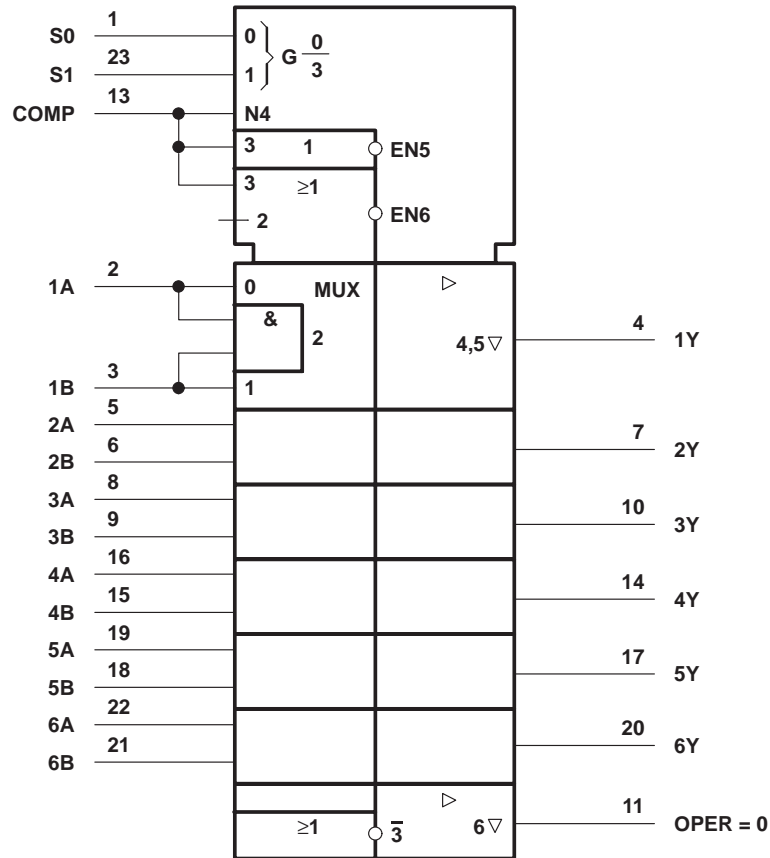
SN54ALS857, SN74ALS857 HEX 2-TO-1 UNIVERSAL MULTIPLEXERS WITH 3-STATE OUTPUTS

SDAS170A – DECEMBER 1982 – REVISED JANUARY 1995

FUNCTION TABLE

INPUTS			OUTPUTS	
COMP	S1	S0	Y	OPER = 0
L	L	L	A	H = all A inputs L
L	L	H	B	H = all B inputs L
L	H	L	$A \cdot B$	Z
L	H	H	\bar{L}	L
H	L	L	\bar{A}	H = all A inputs L
H	L	H	\bar{B}	H = all B inputs L
H	H	L	$\overline{A \cdot B}$	Z
H	H	H	Z	Z

logic symbol†

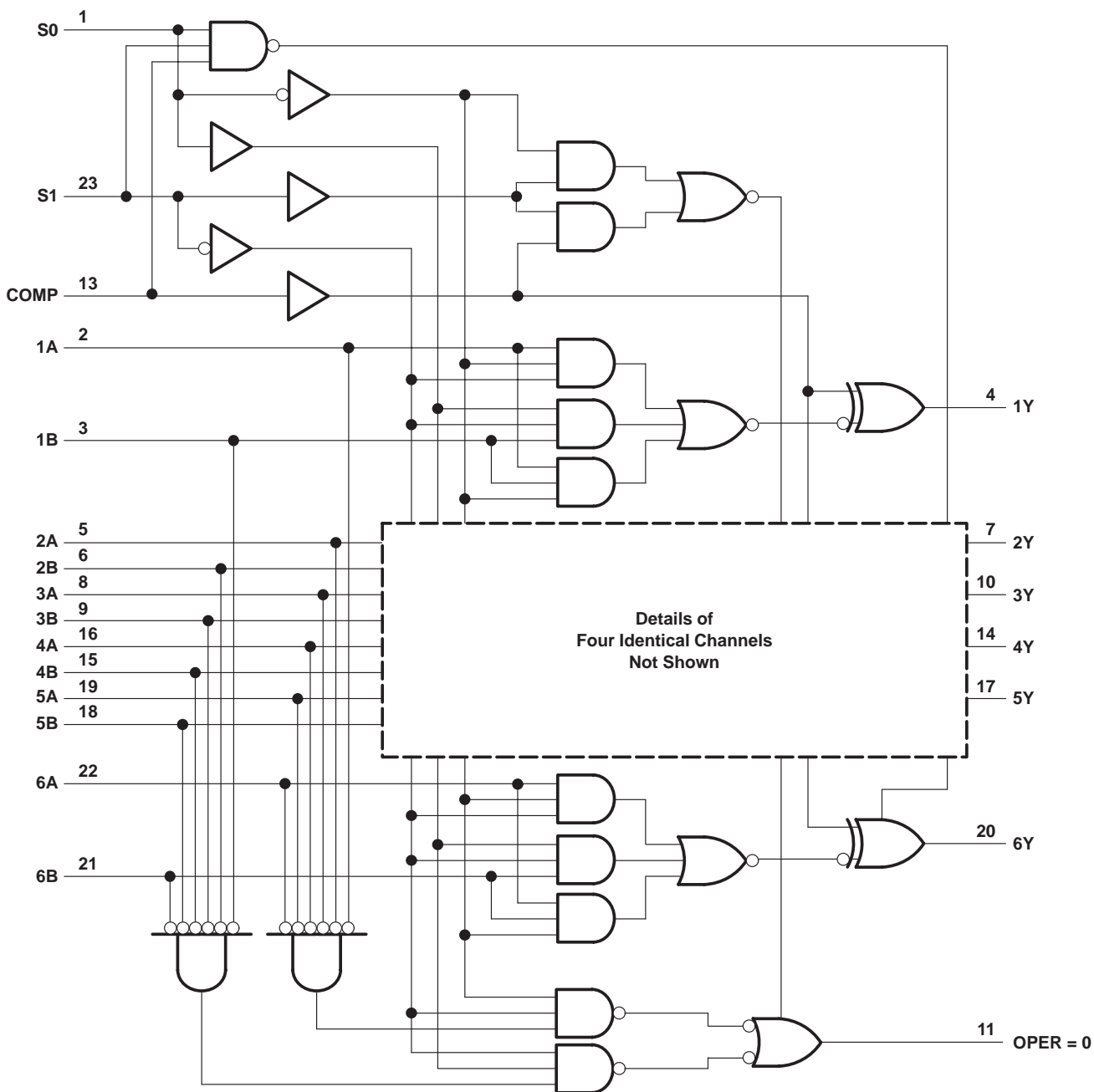


† This symbol is in accordance with ANSI/IEEE Std 91-1984 and IEC Publication 617-12. Pin numbers shown are for the DW, JT, and NT packages.

SN54ALS857, SN74ALS857 HEX 2-TO-1 UNIVERSAL MULTIPLEXERS WITH 3-STATE OUTPUTS

SDAS170A – DECEMBER 1982 – REVISED JANUARY 1995

logic diagram (positive logic)



Pin numbers shown are for the DW, JT, and NT packages.

SN54ALS857, SN74ALS857 HEX 2-TO-1 UNIVERSAL MULTIPLEXERS WITH 3-STATE OUTPUTS

SDAS170A – DECEMBER 1982 – REVISED JANUARY 1995

absolute maximum ratings over operating free-air temperature range (unless otherwise noted)†

Supply voltage, V_{CC}	7 V
Input voltage, V_I	7 V
Voltage applied to a disabled 3-state output	5.5 V
Operating free-air temperature range, T_A : SN54ALS857	-55°C to 125°C
SN74ALS857	0°C to 70°C
Storage temperature range	-65°C to 150°C

† Stresses beyond those listed under "absolute maximum ratings" may cause permanent damage to the device. These are stress ratings only, and functional operation of the device at these or any other conditions beyond those indicated under "recommended operating conditions" is not implied. Exposure to absolute-maximum-rated conditions for extended periods may affect device reliability.

recommended operating conditions

		SN54ALS857			SN74ALS857			UNIT
		MIN	NOM	MAX	MIN	NOM	MAX	
V_{CC}	Supply voltage	4.5	5	5.5	4.5	5	5.5	V
V_{IH}	High-level input voltage	2			2			V
V_{IL}	Low-level input voltage			0.7			0.8	V
I_{OH}	High-level output current			-1			-2.6	mA
I_{OL}	Low-level output current			12			24	mA
T_A	Operating free-air temperature	-55		125	0		70	°C

electrical characteristics over recommended operating free-air temperature range (unless otherwise noted)

PARAMETER	TEST CONDITIONS	SN54ALS857			SN74ALS857			UNIT
		MIN	TYP‡	MAX	MIN	TYP‡	MAX	
V_{IK}	$V_{CC} = 4.5$ V, $I_I = -18$ mA			-1.5			-1.5	V
V_{OH}	$V_{CC} = 4.5$ V to 5.5 V, $I_{OH} = -0.4$ mA	$V_{CC} - 2$			$V_{CC} - 2$			V
	$V_{CC} = 4.5$ V, $I_{OH} = -1$ mA	2.4	3.3		2.4	3.2		
	$V_{CC} = 4.5$ V, $I_{OH} = -2.6$ mA							
V_{OL}	$V_{CC} = 4.5$ V, $I_{OL} = 12$ mA		0.25	0.4		0.25	0.4	V
	$V_{CC} = 4.5$ V, $I_{OL} = 24$ mA					0.35	0.5	
I_{OZH}	$V_{CC} = 5.5$ V, $V_O = 2.7$ V			20			20	μA
I_{OZL}	$V_{CC} = 5.5$ V, $V_O = 0.4$ V			-20			-20	μA
I_I	$V_{CC} = 5.5$ V, $V_I = 7$ V			0.1			0.1	mA
I_{IH}	$V_{CC} = 5.5$ V, $V_I = 2.7$ V			20			20	μA
I_{IL}	$V_{CC} = 5.5$ V, $V_I = 0.4$ V			-0.2			-0.2	mA
I_{O}^{\S}	$V_{CC} = 5.5$ V, $V_O = 2.25$ V	-15		-70	-15		-70	mA
I_{CC}	$V_{CC} = 5.5$ V, See Note 1	Outputs high	11	24	11	24	mA	
		Outputs low	16	33	16	33		
		Outputs disabled	18	36	18	36		

‡ All typical values are at $V_{CC} = 5$ V, $T_A = 25^\circ\text{C}$.

§ The output conditions have been chosen to produce a current that closely approximates one half of the true short-circuit output current, I_{OS} .

NOTE 1: I_{CC} is measured with all possible inputs grounded while achieving the stated output conditions.



POST OFFICE BOX 655303 • DALLAS, TEXAS 75265

SN54ALS857, SN74ALS857 HEX 2-TO-1 UNIVERSAL MULTIPLEXERS WITH 3-STATE OUTPUTS

SDAS170A – DECEMBER 1982 – REVISED JANUARY 1995

switching characteristics (see Figure 1)

PARAMETER†	FROM (INPUT)	TO (OUTPUT)	V _{CC} = 4.5 V to 5.5 V, C _L = 50 pF, R ₁ = 500 Ω, R ₂ = 500 Ω, T _A = MIN to MAX‡				UNIT
			SN54ALS857		SN74ALS857		
			MIN	MAX	MIN	MAX	
t _{pd}	A or B (COMP high)	Y (inverting)	2	35	4	25	ns
	A or B (COMP low)	Y (noninverting)	2	27	4	18	
	S0 or S1	Y	2	37	7	33	
	COMP		2	26	6	18	
	A or B	OPER = 0	2	45	5	37	
	S0 to S1		2	30	5	23	
t _{en}	S0 to S1	Y	2	38	7	35	ns
t _{dis}			2	43	2	23	
t _{en}	COMP	Y	2	37	8	24	ns
t _{dis}			2	45	6	21	
t _{en}	S0	OPER = 0	2	29	6	20	ns
t _{dis}			2	42	11	27	
t _{en}	S1	OPER = 0	2	28	6	25	ns
t _{dis}			2	37	3	19	
t _{en}	COMP	OPER = 0	2	43	9	25	ns
t _{dis}			2	36	6	20	

† t_{pd} = t_{PLH} or t_{PHL}, t_{en} = t_{PZH} or t_{PZL}, t_{dis} = t_{PHZ} or t_{PLZ}

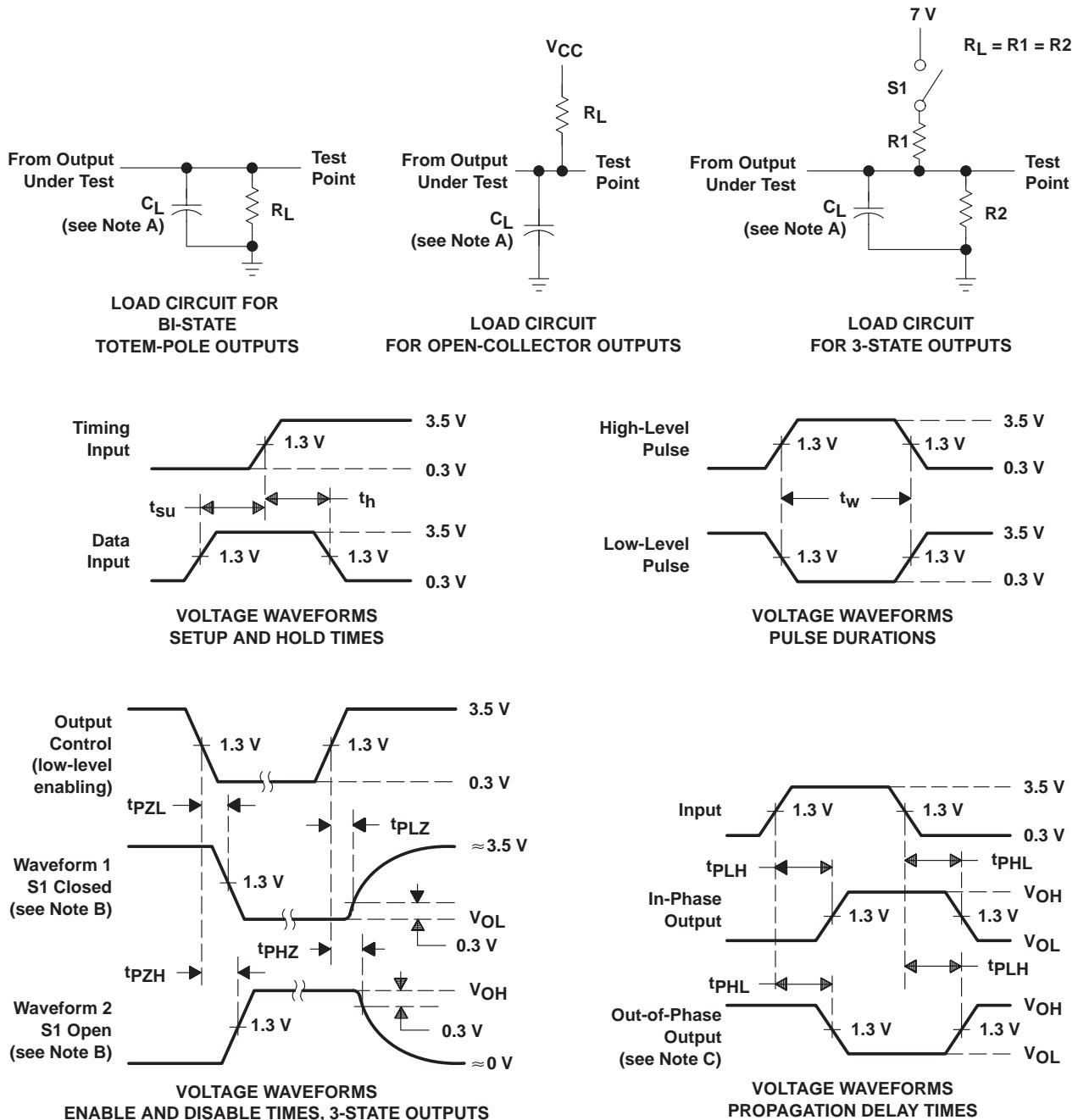
‡ For conditions shown as MIN or MAX, use the appropriate value specified under recommended operating conditions.



SN54ALS857, SN74ALS857 HEX 2-TO-1 UNIVERSAL MULTIPLEXERS WITH 3-STATE OUTPUTS

SDAS170A – DECEMBER 1982 – REVISED JANUARY 1995

PARAMETER MEASUREMENT INFORMATION SERIES 54ALS/74ALS AND 54AS/74AS DEVICES



- NOTES: A. C_L includes probe and jig capacitance.
 B. Waveform 1 is for an output with internal conditions such that the output is low except when disabled by the output control. Waveform 2 is for an output with internal conditions such that the output is high except when disabled by the output control.
 C. When measuring propagation delay items of 3-state outputs, switch S1 is open.
 D. All input pulses have the following characteristics: $PRR \leq 1$ MHz, $t_r = t_f = 2$ ns, duty cycle = 50%.
 E. The outputs are measured one at a time with one transition per measurement.

Figure 1. Load Circuits and Voltage Waveforms

IMPORTANT NOTICE

Texas Instruments and its subsidiaries (TI) reserve the right to make changes to their products or to discontinue any product or service without notice, and advise customers to obtain the latest version of relevant information to verify, before placing orders, that information being relied on is current and complete. All products are sold subject to the terms and conditions of sale supplied at the time of order acknowledgement, including those pertaining to warranty, patent infringement, and limitation of liability.

TI warrants performance of its semiconductor products to the specifications applicable at the time of sale in accordance with TI's standard warranty. Testing and other quality control techniques are utilized to the extent TI deems necessary to support this warranty. Specific testing of all parameters of each device is not necessarily performed, except those mandated by government requirements.

CERTAIN APPLICATIONS USING SEMICONDUCTOR PRODUCTS MAY INVOLVE POTENTIAL RISKS OF DEATH, PERSONAL INJURY, OR SEVERE PROPERTY OR ENVIRONMENTAL DAMAGE ("CRITICAL APPLICATIONS"). TI SEMICONDUCTOR PRODUCTS ARE NOT DESIGNED, AUTHORIZED, OR WARRANTED TO BE SUITABLE FOR USE IN LIFE-SUPPORT DEVICES OR SYSTEMS OR OTHER CRITICAL APPLICATIONS. INCLUSION OF TI PRODUCTS IN SUCH APPLICATIONS IS UNDERSTOOD TO BE FULLY AT THE CUSTOMER'S RISK.

In order to minimize risks associated with the customer's applications, adequate design and operating safeguards must be provided by the customer to minimize inherent or procedural hazards.

TI assumes no liability for applications assistance or customer product design. TI does not warrant or represent that any license, either express or implied, is granted under any patent right, copyright, mask work right, or other intellectual property right of TI covering or relating to any combination, machine, or process in which such semiconductor products or services might be or are used. TI's publication of information regarding any third party's products or services does not constitute TI's approval, warranty or endorsement thereof.