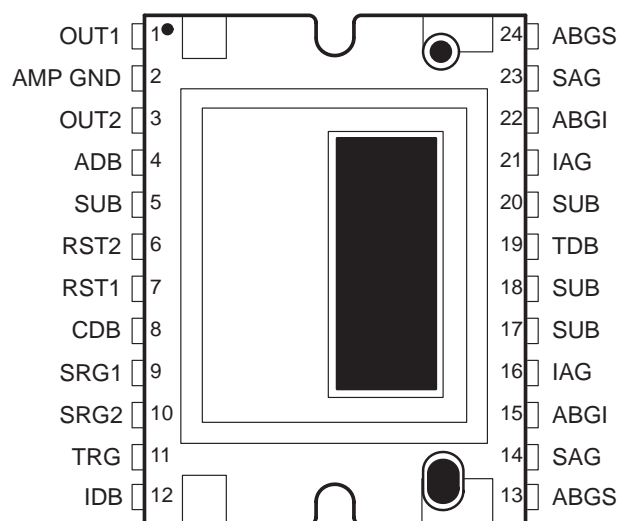


TC213 1024- × 512-PIXEL CCD IMAGE SENSOR

SOCS013B – AUGUST 1989 – REVISED DECEMBER 1991

- High-Resolution, Solid-State Frame-Transfer Image Sensor
- 13.5-mm Image-Area Diagonal
- 1000 (H) × 510 (V) Active Elements in Image-Sensing Area
- Square Pixels
- Low Dark Current
- Electron-Hole Recombination Antiblooming
- Dynamic Range . . . More Than 60 dB
- High Sensitivity
- High Photoresponse Uniformity
- High Blue Response
- Single-Phase Clocking
- Solid-State Reliability With No Image Burn-in, Residual Imaging, Image Distortion, Image Lag, or Microphonics

DUAL-IN-LINE PACKAGE
(TOP VIEW)



description

The TC213 is a frame-transfer charge-coupled device (CCD) image sensor that provides very high-resolution image acquisition for image-processing applications such as robotic vision, medical X-ray analysis, and metrology. The image format measures 12.00 mm horizontally by 6.12 mm vertically; the image-area diagonal is 13.5 mm. The image-area pixels are 12- μ m square. The image area contains 510 active lines with 1000 active pixels per line. Two additional dark reference lines give a total of 512 lines in the image area, and 24 additional dark-reference pixels per line give a total of 1024 pixels per horizontal line.

The storage section of the TC213 contains 512 lines with 1024 pixels per line. This area is protected from exposure to light by an aluminum light shield. Photoelectric charge that is generated in the image area of the TC213 can be transferred into the storage section in less than 500 μ s. After image capture (integration time), the readout is accomplished by transferring the charge, one line at a time, into two serial registers located below the storage area, each of which contains 512 data elements and 12 dummy elements. One serial-register clocks out charge that is generated in the odd-numbered columns of pixels in the imaging area; the other serial-register processes charge from the even-numbered columns of the imaging area. The typical serial-register data rate is 10 megapixels per second. Three transfer gates are used to isolate the serial registers. If the storage area or storage and image areas need to be cleared of all charge, charge may be quickly transferred across the serial registers and into the clearing drain, which is located below the serial-register section.



This MOS device contains limited built-in gate protection. During storage or handling, the device leads should be shorted together or the device should be placed in conductive foam. In a circuit, unused inputs should always be connected to SUB. Under no circumstances should pin voltages exceed absolute maximum ratings. Avoid shorting OUT_n to ADB during operation to prevent damage to the amplifier. The device can also be damaged if the output terminals are reverse-biased and an excessive current is allowed to flow. Specific guidelines for handling devices of this type are contained in the publication *Guidelines for Handling Electrostatic-Discharge-Sensitive (ESDS) Devices and Assemblies* available from Texas Instruments.

PRODUCTION DATA information is current as of publication date. Products conform to specifications per the terms of Texas Instruments standard warranty. Production processing does not necessarily include testing of all parameters.

 **TEXAS
INSTRUMENTS**

POST OFFICE BOX 655303 • DALLAS, TEXAS 75265

Copyright © 1991, Texas Instruments Incorporated

TC213 1024- × 512-PIXEL CCD IMAGE SENSOR

SOCS013B – AUGUST 1989 – REVISED DECEMBER 1991

description (continued)

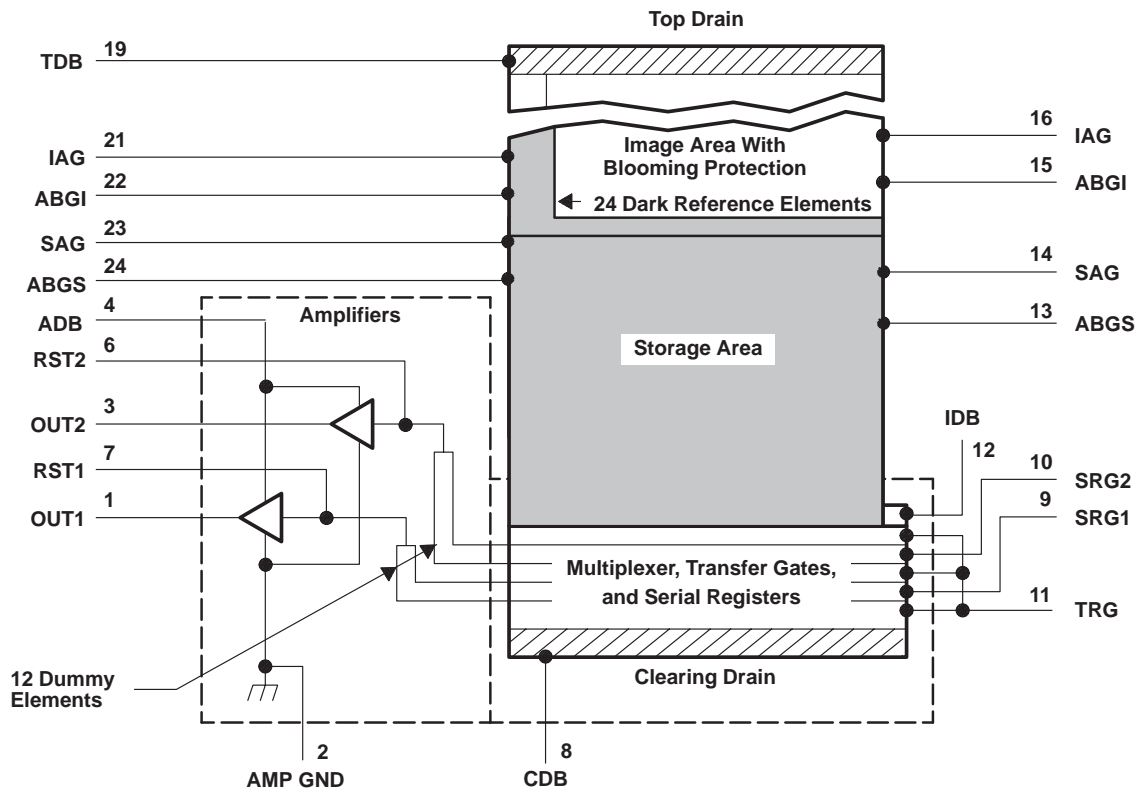
Gated floating-diffusion detection structures are used with each serial register to convert charge to signal voltage. External resets allow the application of off-chip correlated clamp sample-and-hold amplifiers for low-noise performance. To provide high output-drive capability, both outputs are buffered by low-noise, two-stage, source-follower amplifiers. These two output signals can provide a data rate of 20 megapixels per second when combined off chip. An output of 30 frames per second with one field per frame is typical. At room temperature, the readout noise is 55 electrons and a minimum dynamic range of 60 dB is available.

The blooming protection incorporated into the sensor is based on recombining excess charge with charge of opposite polarity in the substrate. This antiblooming is activated by supplying clocking pulses to the antiblooming gate, which is an integral part of each image-sensing element. The storage area antiblooming gate is clocked only for charge transfer in normal use.

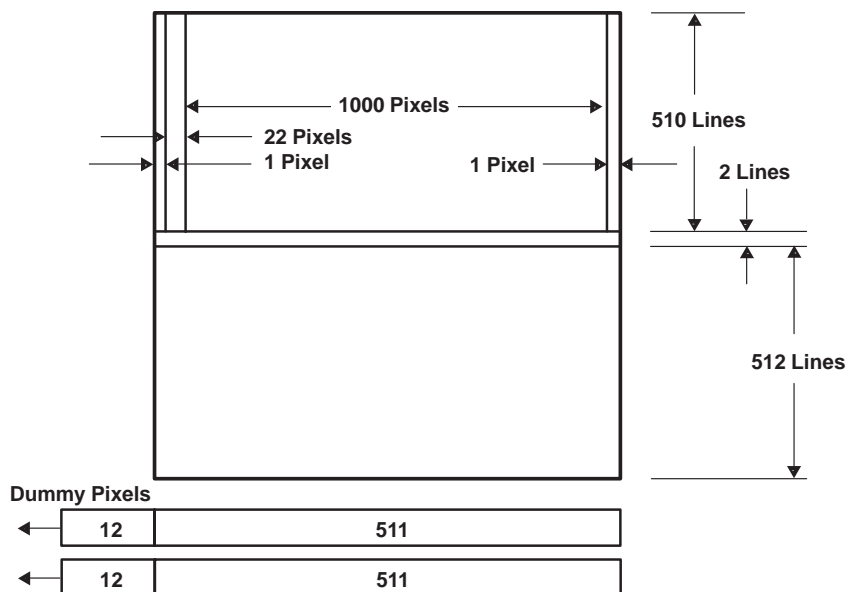
The TC213 is built using TI-proprietary virtual-phase technology, which provides devices with high blue response, low dark signal, good uniformity, and single-phase clocking.

The TC213 is characterized for operation from -10°C to 40°C .

functional block diagram



sensor topology diagram



Terminal Functions

TERMINAL NAME	NO.	I/O	DESCRIPTION
ABGI†	15	I	Antiblooming gate for image area
ABGI†	22	I	Antiblooming gate for image area
ABGS†	13	I	Antiblooming gate for storage area
ABGS†	24	I	Antiblooming gate for storage area
ADB	4	I	Supply voltage for amplifier drain bias
AMP GND	2		Amplifier ground
CDB	8	I	Supply voltage for clearing drain bias
IAG†	16	I	Image-area gate
IAG†	21	I	Image-area gate
IDB	12	I	Supply voltage for input diode bias
OUT1	1	O	Output signal 1
OUT2	3	O	Output signal 2
RST1	7	I	Reset gate 1
RST2	6	I	Reset gate 2
SAG†	14	I	Storage-area gate
SAG†	23	I	Storage-area gate
SRG1	9	I	Serial-register gate 1
SRG2	10	I	Serial-register gate 2
SUB†	5		Substrate and clock return
SUB†	17		Substrate and clock return
SUB†	18		Substrate and clock return
SUB†	20		Substrate and clock return
TDB	19	I	Supply voltage for top drain bias
TRG	11	I	Transfer gate

† All pins of the same name should be connected together externally (i.e., pin 15 to pin 22, pin 13 to pin 24, etc.).

TC213

1024- × 512-PIXEL CCD IMAGE SENSOR

SOCS013B – AUGUST 1989 – REVISED DECEMBER 1991

detailed description

The TC213 consists of four basic functional blocks: (1) the image-sensing area, (2) the image-storage area, (3) the multiplexer block with serial registers and transfer gates, and (4) the low-noise signal-processing amplifier block with charge-detection nodes. The location of each of these blocks is identified in the functional block diagram.

image-sensing and image-storage areas

Figures 1 and 2 show cross sections with potential well diagrams and top views of image-sensing elements. As light enters the silicon in the image-sensing area, free electrons are generated and collected in the potential wells of the sensing elements. During this time, blooming protection is activated by applying a burst of pulses to the antiblooming gate inputs every horizontal blanking interval. This prevents blooming caused by the spilling of charge from overexposed elements into neighboring elements. After integration is complete, the signal charge is transferred into the storage area (see Figure 5).

There are 24 full columns of elements at the left edge of the image-sensing area that are shielded from incident light; these elements provide the dark reference used in subsequent video-processing circuits to restore the video black level. There are also two dark lines at the bottom of the image-sensing area that prevent charge leakage from the image-sensing area into the image-storage area.

multiplexer with transfer gates and serial registers

The multiplexer and transfer gates transfer charge line by line from the image-storage area columns into the corresponding serial registers and prepare it for readout. Figure 3 illustrates the layout of the multiplexing gate that vertically separates the pixels for input into the serial registers. Figure 4 shows the layout of the interface region between the serial-register gates and the transfer gates. Multiplexing is activated during the horizontal blanking interval by applying appropriate pulses to the transfer gates and serial registers; the required pulse timing is shown in Figure 6. A drain is also included to provide the capability to clear the image-sensing area of unwanted charge. Such charge can accumulate in the imager during the start-up of operation or under special circumstances when nonstandard timing is desired. The clear timing is given as part of the parallel-transfer timing in Figure 5.

serial-register readout and video processing

After transfer into the serial registers, the pixels are normally read out 180° out of phase (see Figure 7). Each serial register must be reset to the reference level before the next pixel is read out. The timing for the resets and their relationships to the serial-register pulses is shown in Figure 8. Figure 8 also shows the timing for the pixel clamp and sample and hold needed for an off-chip double-correlated sampling circuit. These two output signals can provide a data rate of 20 million pixels per second when combined off chip. After the charge is placed on the detection node, it is buffered and amplified by a low-noise, dual-stage source follower. Each serial register contains 12 dummy elements that are used to span the distance between the serial register and the output amplifier. A schematic is shown in Figure 9. The location of the dummy elements, which are considered to be part of the amplifiers, is shown in the functional block diagram. Figure 10 gives the timing for a single frame of video. An output of 30 frames per second with one field per frame is typical.

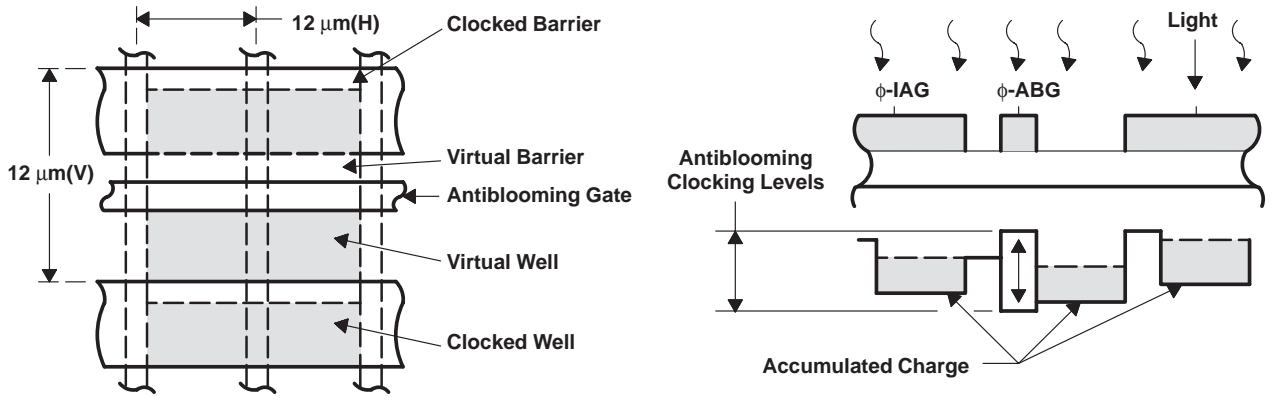


Figure 1. Charge-Accumulation Process

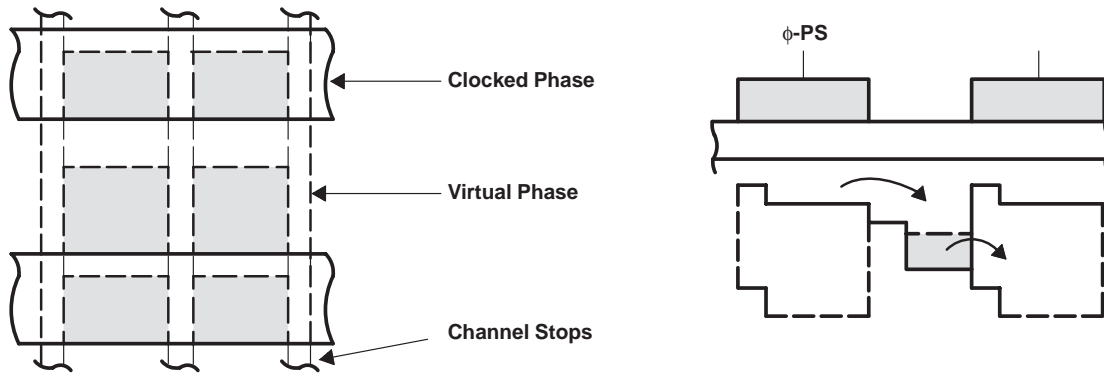


Figure 2. Charge-Transfer Process

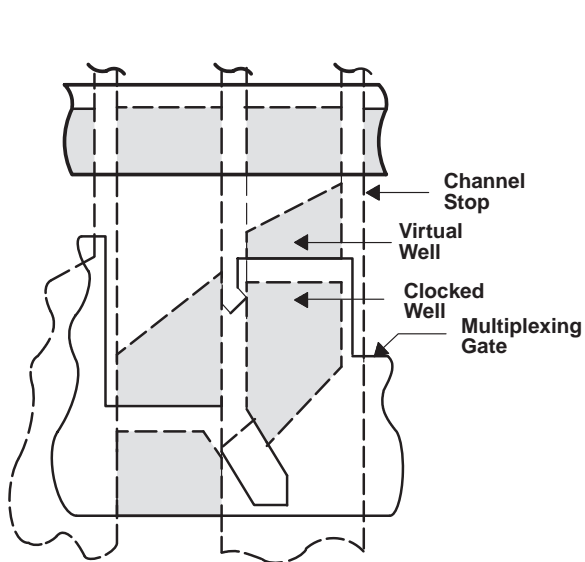


Figure 3. Multiplexing-Gate Layout

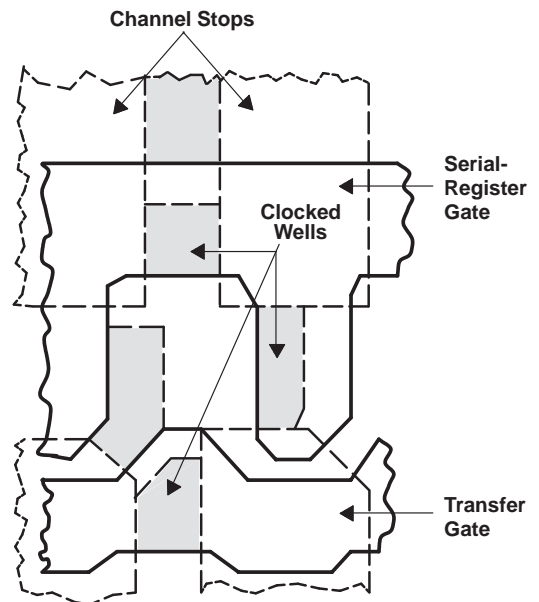
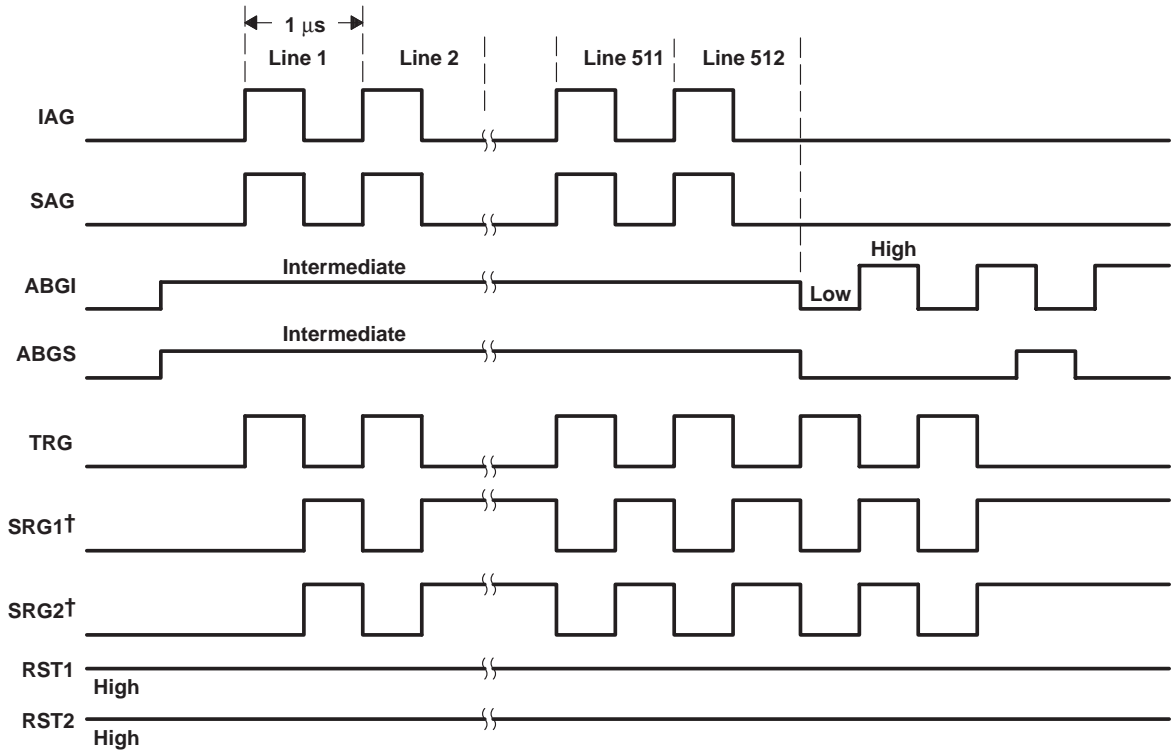


Figure 4. Interface-Region Layout

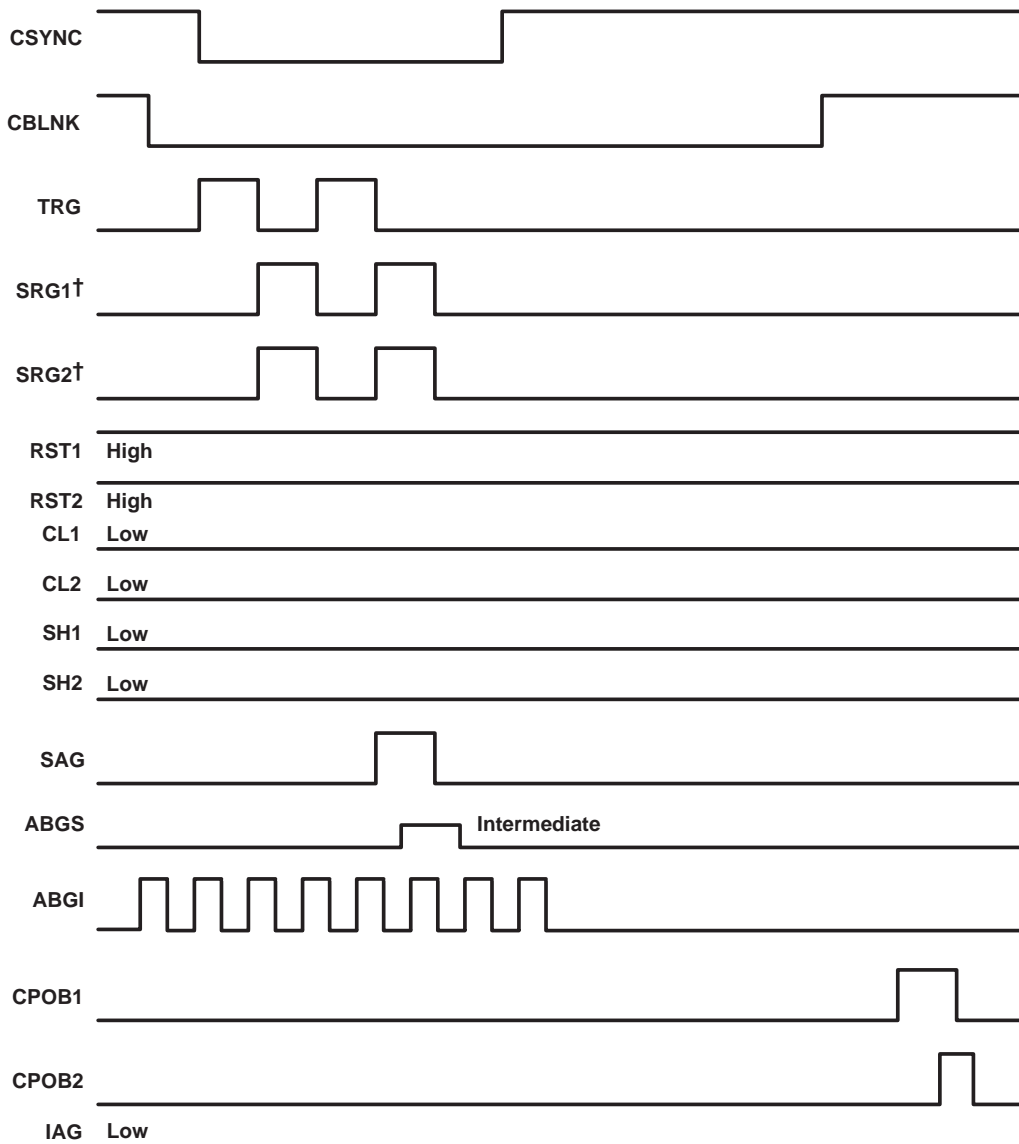
TC213 1024- × 512-PIXEL CCD IMAGE SENSOR

SOCS013B – AUGUST 1989 – REVISED DECEMBER 1991



† SRG1 and SRG2 pulses are extended to equal TRG and SAG pulse widths during parallel transfers from the storage area to the clearing drain.

Figure 5. Parallel-Transfer Timing

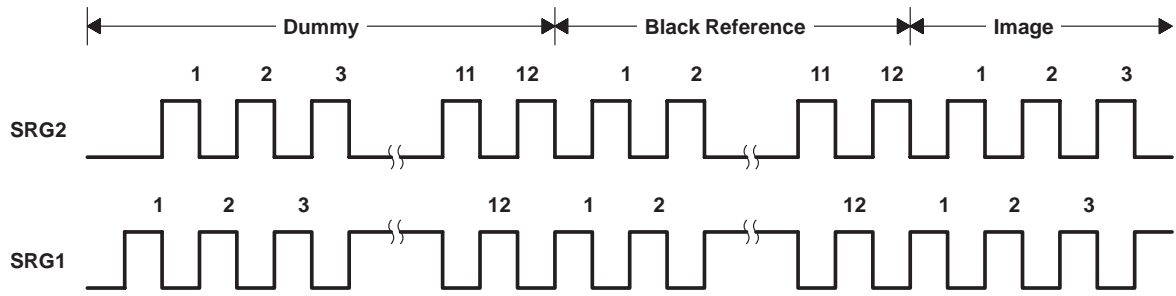


† SRG1 and SRG2 pulses are extended to equal TRG and SAG pulse widths during horizontal line transfer operation for readout.

Figure 6. Horizontal Timing

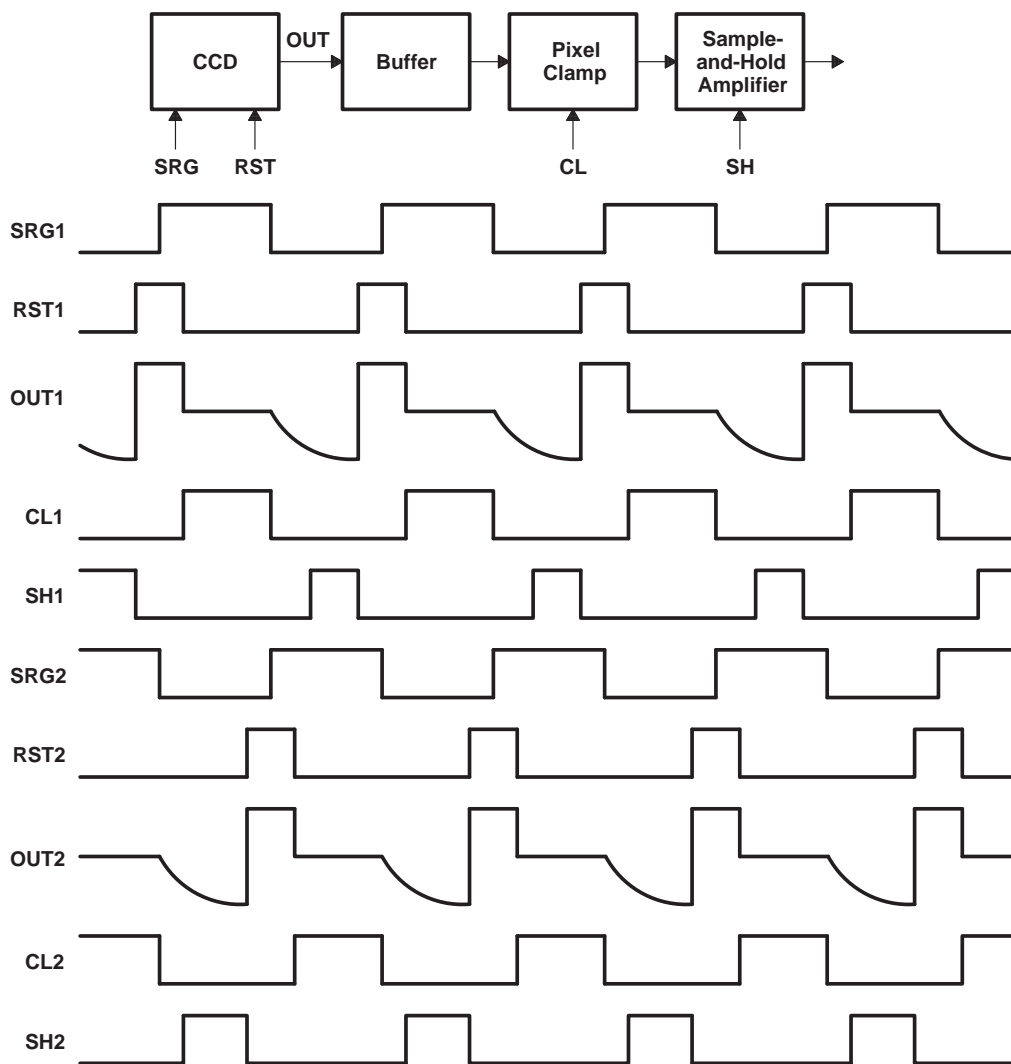
TC213 1024- × 512-PIXEL CCD IMAGE SENSOR

SOCS013B – AUGUST 1989 – REVISED DECEMBER 1991



NOTE A: A minimum of 524 clock pulses is required to transfer out all elements of a serial register. Overclocking is recommended.

Figure 7. Start of Serial-Transfer Timing



NOTE A: The video-processing (off-chip) pulses are defined as follows:
 CL1 = Clamp pulse for video from OUT1
 CL2 = Clamp pulse for video from OUT2
 SH1 = Sample pulse for the sample-and-hold amplifier for video 1
 SH2 = Sample pulse for the sample-and-hold amplifier for video 2
 CSYNC = Composite video-sync pulse
 CBLNK = Composite video-blanking pulse
 CPOB1 = Dark-reference clamp pulse for video from OUT1
 CPOB2 = Dark-reference clamp pulse for video from OUT2

Figure 8. Video-Process Timing

TC213
1024- × 512-PIXEL CCD IMAGE SENSOR

SOCS013B – AUGUST 1989 – REVISED DECEMBER 1991

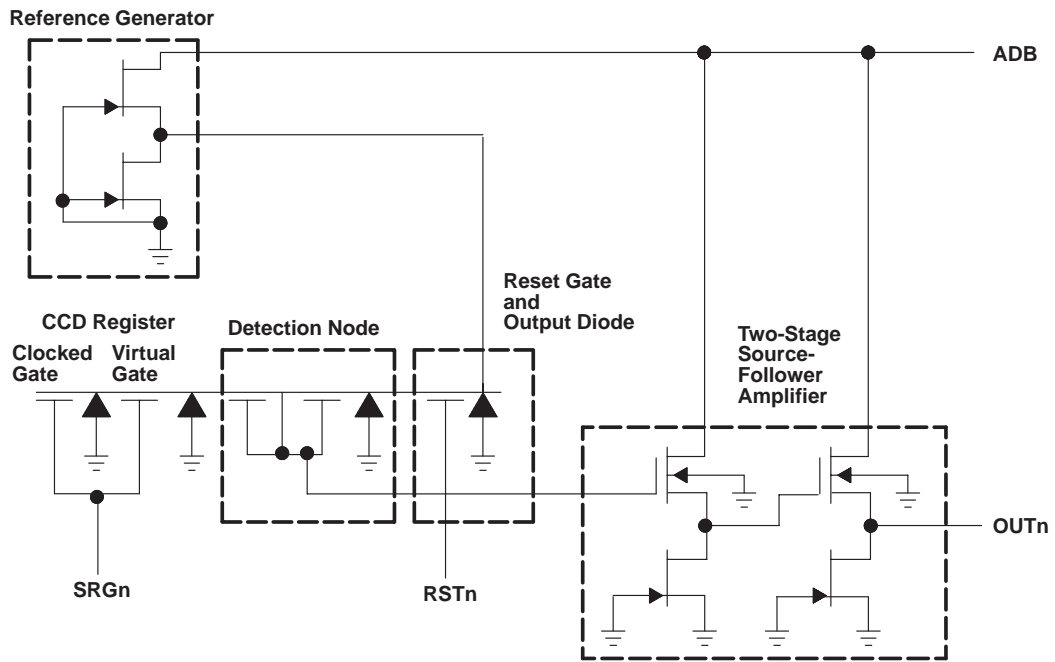


Figure 9. Buffer Amplifier and Charge-Detection Node

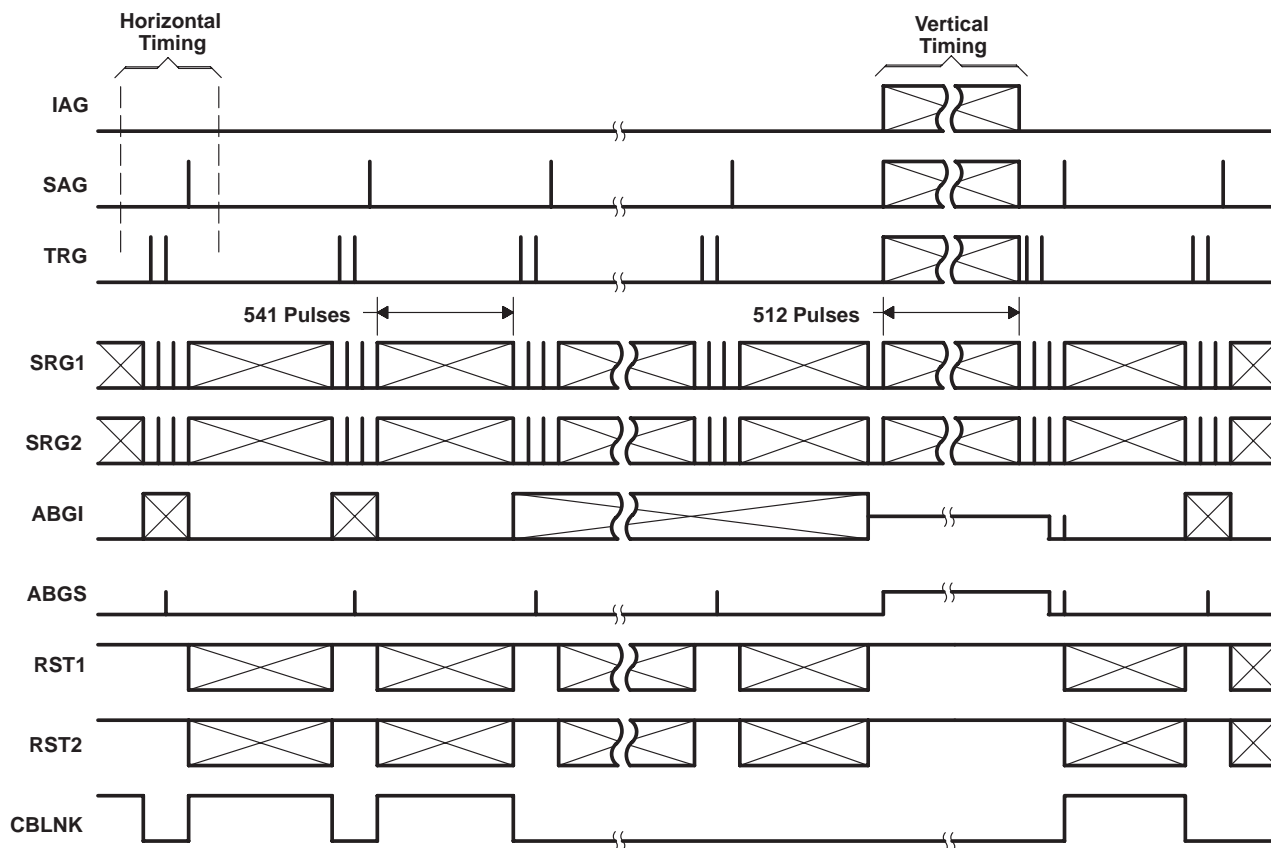


Figure 10. Clock Timing Requirements – Continuous Mode

TC213 1024- × 512-PIXEL CCD IMAGE SENSOR

SOCS013B – AUGUST 1989 – REVISED DECEMBER 1991

spurious nonuniformity specification

The spurious nonuniformity specification of the TC213 CCD grades –30 and –40 is based on several sensor characteristics:

- Amplitude of the nonuniform line or pixel
- Polarity of the nonuniform pixel
 - Black
 - White
- Nonuniform line or pixel count

The CCD sensors are characterized in both an illuminated condition and a dark condition. In the dark condition, the nonuniformity is specified in terms of absolute amplitude as shown in Figure 11. In the illuminated condition, the nonuniformity is specified as a percentage of the total illumination as shown in Figure 12.

The pixel nonuniformity specification for the TC213 is as follows (CCD video-output signal is 50 mV ±10 mV):

NONUNIFORMITY TYPE	TC213-30	TC213-40
Line	Maximum amplitude = 1.4 mV	
	Number with amplitude greater than 1 mV is ≤ 6	
White spot (40°C)	Maximum amplitude = 25 mV	
White spot (25°C)	Maximum amplitude = 8 mV	Maximum amplitude = 12 mV
	Number with amplitude greater than 6 mV = B	Number with amplitude greater than 10 mV = B
Black spot (% of total illumination)	Maximum amplitude = 20%	Maximum amplitude = 25%
	Number with amplitude greater than 10% = C	Number with amplitude greater than 15% = C
Total number of nonuniformities	B + C < 11	B + C < 51

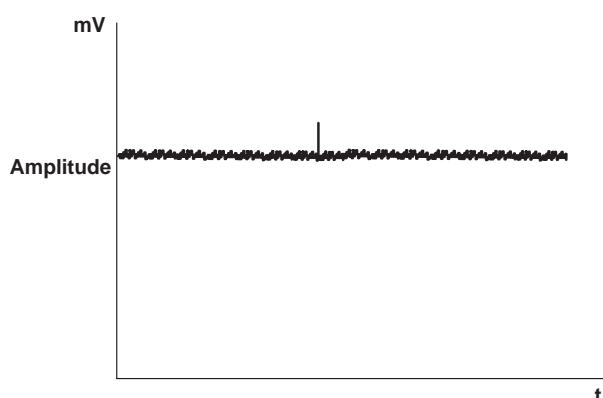


Figure 11. Pixel Nonuniformity, Dark Condition

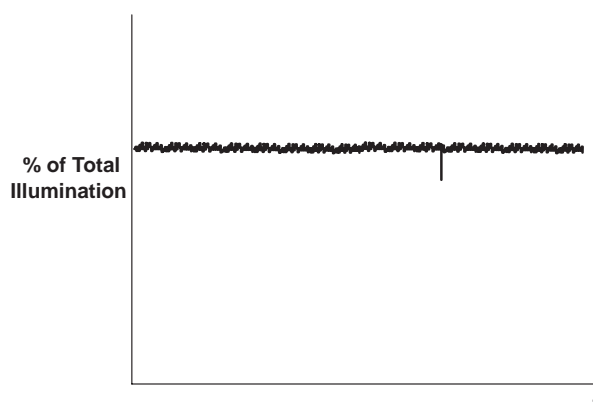


Figure 12. Pixel Nonuniformity, Illuminated Condition

absolute maximum ratings over operating free-air temperature range (unless otherwise noted)†

Supply voltage range for ADB, CDB, IDB, TDB (see Note 1)	0 V to 15 V
Input voltage range for ABGI, ABGS, IAG, RST1, RST2, SAG, SRG1, SRG2, TRG	-15 V to 15 V
Operating free-air temperature range, T _A	-10°C to 40°C
Storage temperature range	-30°C to 85°C
Lead temperature 1,6 mm (1/16 inch) from case for 10 seconds	260°C

† Stresses beyond those listed under “absolute maximum ratings” may cause permanent damage to the device. These are stress ratings only, and functional operation of the device at these or any other conditions beyond those indicated under “recommended operating conditions” is not implied. Exposure to absolute-maximum-rated conditions for extended periods may affect device reliability.

NOTE 1: All voltage values are with respect to the substrate terminal.

recommended operating conditions

		MIN	NOM	MAX	UNIT	
Supply voltage for ADB, CDB, IDB, TDB		11	12	13	V	
Substrate bias voltage		0			V	
Input voltage, V _I ‡	IAG	High level	1.5	2	2.5	V
		Low level	-11		-9	
	SAG	High level	1.5	2	2.5	
		Low level	-11		-9	
	SRG	High level	1.5	2	2.5	
		Low level	-11		-9	
	RST1, RST2	High level	1.5	2	2.5	
		Low level	-11		-9	
	ABGI, ABGS	High level (ABGI only)	5	5.5	6	
		Intermediate level§	-1.5	-1.2	-0.9	
		Low level	-7.5	-7	-6.5	
	TRG	High level	1.5	2	2.5	
Low level		-11		-9		
Clock frequency, f _{clock}	RST1, RST2, SRG1, SRG2, TRG		10		MHz	
	IAG, SAG		1			
	ABGI, ABGS		1			
Capacitive load	OUT1, OUT2		8		pF	
Operating free-air temperature, T _A		-10		40	°C	

‡ The algebraic convention, in which the least-positive (most negative) value is designated minimum, is used in this data sheet for clock voltage levels.

§ Adjustment is required for optimal performance.



TC213

1024- × 512-PIXEL CCD IMAGE SENSOR

SOCS013B – AUGUST 1989 – REVISED DECEMBER 1991

electrical characteristics over recommended operating ranges of supply voltage and free-air temperature

PARAMETER		MIN	TYP†	MAX	UNIT
Dynamic range (see Note 2)		60			dB
Charge conversion factor			6		μV/e
Charge transfer efficiency (see Note 3)		0.99990			
Signal response delay time, τ (see Note 4 and Figure 16)		18	20	22	ns
Gamma (see Note 5)		0.89	0.94	0.99	
Output resistance			600	800	Ω
Noise voltage	1/f noise (5 kHz)		0.1		μV/√Hz
	Random noise (f = 100 kHz)		0.08		
Noise equivalent signal			60		electrons
Rejection ratio at 10 MHz	ADB (see Note 6)		20		dB
	SRGn (see Note 7)		40		
	ABGx (see Note 8)		30		
Supply current				9	mA
Input capacitance, C _i	IAG, SAG		15000		pF
	ABGI, ABGS		8000		
	TRG		350		
	SRG1, SRG2		200		

† All typical values are at T_A = 25°C.

- NOTES:
- Dynamic range is –20 times the logarithm of the mean noise signal divided by the saturation output signal.
 - Charge transfer efficiency is one minus the charge loss per transfer in the output register (1046 transfers). The test is performed in the dark using an electrical input signal.
 - Signal-response delay time is the time between the falling edge of the SRG clock pulse and the output signal valid state.
 - Gamma (γ) is the value of the exponent in the equation below for two points on the linear portion of the transfer function curve (this value represents points near saturation):

$$\left(\frac{\text{Exposure (2)}}{\text{Exposure (1)}} \right)^\gamma = \left(\frac{\text{Output signal (2)}}{\text{Output signal (1)}} \right)$$

- ADB rejection ratio is –20 times the logarithm of the ac amplitude on OUTn divided by the ac amplitude on ADB.
- SRGn rejection ratio is –20 times the logarithm of the ac amplitude on OUTn divided by the ac amplitude on SRGn.
- ABGx rejection ratio is –20 times the logarithm of the ac amplitude on OUTn divided by the ac amplitude on ABGx.



TC213 1024- × 512-PIXEL CCD IMAGE SENSOR

SOCS013B – AUGUST 1989 – REVISED DECEMBER 1991

optical characteristics, $T_A = 25^\circ\text{C}$, integration time = 33 ms (unless otherwise noted)

PARAMETER		MIN	TYP	MAX	UNIT
Sensitivity (see Note 9)	No IR filter	Measured at V_U (see Note 10)		518	mV/lx
	With IR filter			64	
Saturation signal, V_{sat} (see Note 11)		320			mV
Maximum usable signal, V_{use}		200			mV
Blooming overload ratio (see Note 12)		100			
Image-area well capacity		60×10^3			electrons
Smear (see Note 13)				0.0016	
Dark current		$T_A = 21^\circ\text{C}$		0.027	nA/cm ²
Dark signal (see Note 14)	$T_A = 40^\circ\text{C}$	TC213-30		5	mV
		TC213-40		5	
Pixel uniformity	TC213-30			8	mV
	TC213-40			12	
Column uniformity	TC213-30			1.4	mV
	TC213-40			1.4	
Shading	$V_O = 1/2 V_U$ (see Note 10)			15%	

- NOTES: 9. Sensitivity is measured at an integration time of 33 ms with a source temperature of 2859 K. A CM-500 filter is used. Sensitivity is measured at any illumination level that gives an output voltage level less than V_U .
10. V_U is the output voltage that represents the threshold of operation of antiblooming. $V_U \approx 1/2$ saturation signal.
11. Saturation is the condition in which further increase in exposure does not lead to further increase in output signal.
12. Blooming is the condition in which charge is induced in an element by light incident on another element. Blooming overload ratio is the ratio of blooming exposure to saturation exposure.
13. Smear is the measure of error induced by transferring charge through an illuminated pixel in shutterless operation. It is equivalent to the ratio of the single-pixel transfer time during a fast dump to the exposure time using an illuminated section that is 1/10 of the image area vertical height with recommended clock frequencies. Exposure time is 33 ms, the fast dump clocking rate during vertical timing is 1 MHz, and the illuminated section is 1/10 of the height of the image section.
14. Dark-signal level is measured from the dark dummy pixels.

timing requirements

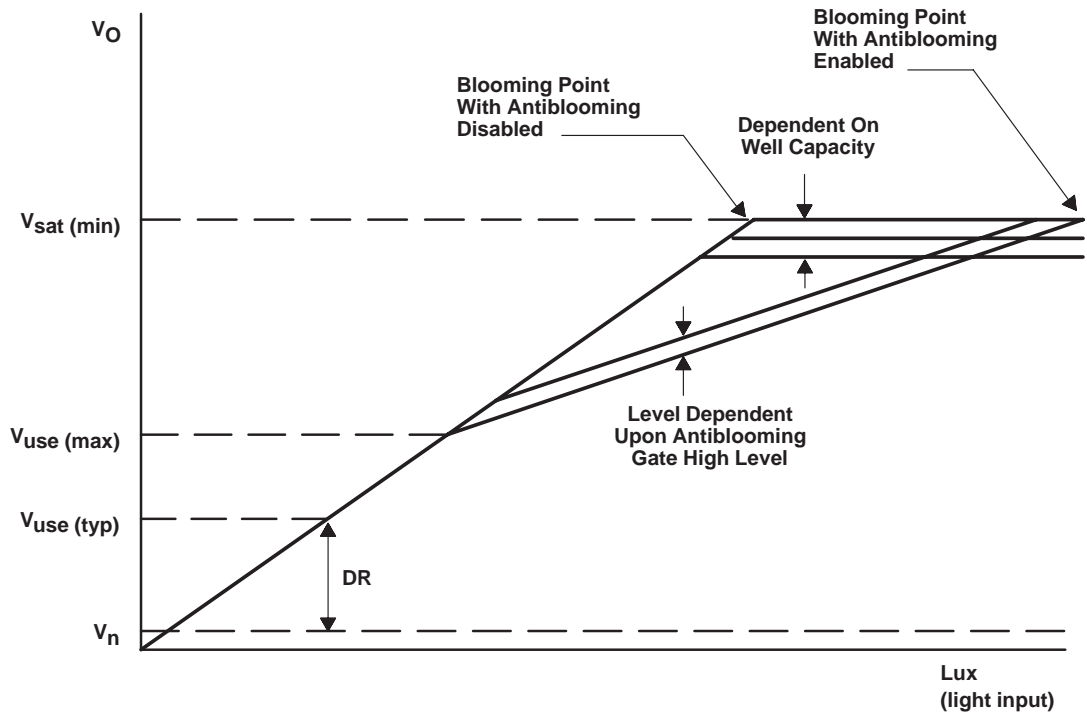
		MIN	MAX	UNIT
t_r	Rise time	IAG	200	ns
		SRG	10	
		SAG	200	
		TRG	200	
		ABGI, ABGS	100	
		RST1, RST2	10	
t_f	Fall time	IAG	200	ns
		SRG	10	
		SAG	200	
		TRB	200	
		ABGI, ABGS	100	
		RST1, RST2	10	



TC213
1024- × 512-PIXEL CCD IMAGE SENSOR

SOCS013B – AUGUST 1989 – REVISED DECEMBER 1991

PARAMETER MEASUREMENT INFORMATION



$$DR \text{ (dynamic range)} = \frac{\text{camera white clip voltage}}{V_n}$$

V_n = noise floor voltage

$V_{sat} \text{ (min)}$ = minimum saturation voltage

$V_{use} \text{ (max)}$ = maximum usable voltage

$V_{use} \text{ (typ)}$ = typical user voltage (camera white clip)

- NOTES: A. $V_{use} \text{ (typ)}$ is defined as the voltage determined to equal the camera white clip. This voltage must be less than $V_{use} \text{ (max)}$.
 B. A system trade-off is necessary to determine the system light sensitivity versus the signal/noise ratio. By lowering the $V_{use} \text{ (typ)}$, the light sensitivity of the camera is increased; however, this sacrifices the signal/noise ratio of the camera.

Figure 13. Typical V_{sat} , V_{use} Relationship

PARAMETER MEASUREMENT INFORMATION

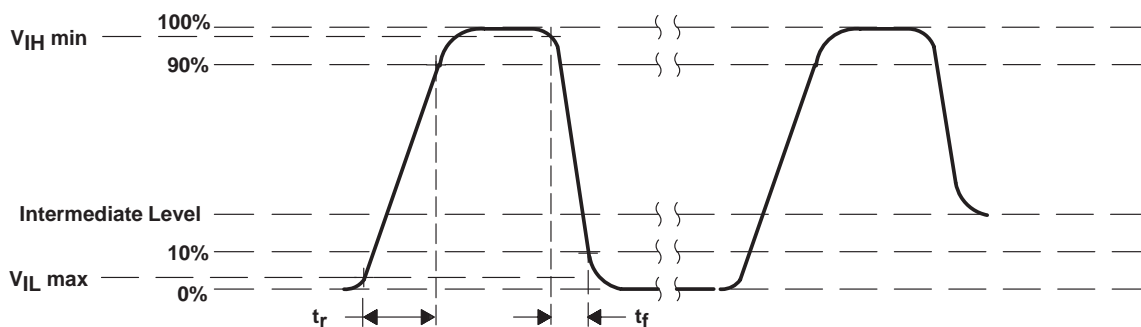


Figure 14. Typical Clock Waveform for ABGI, ABGS, IAG, and SAG

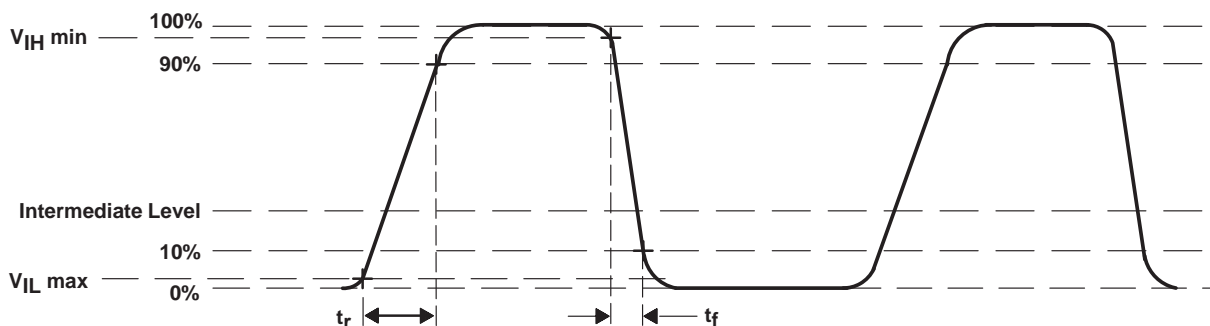


Figure 15. Typical Clock Waveform for RST1, RST2, SRG1, SRG2, and TRG

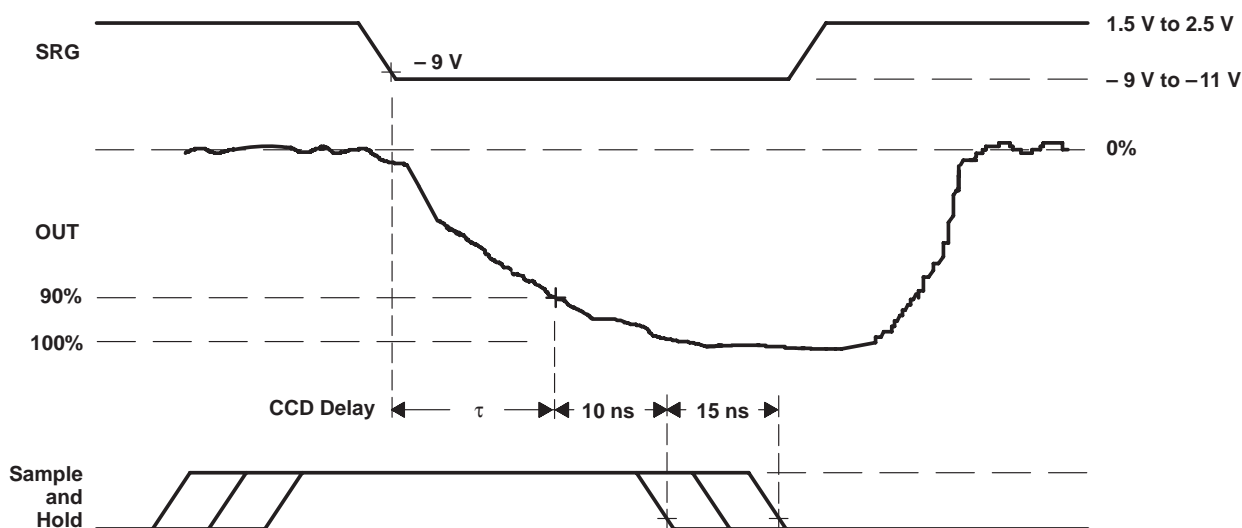
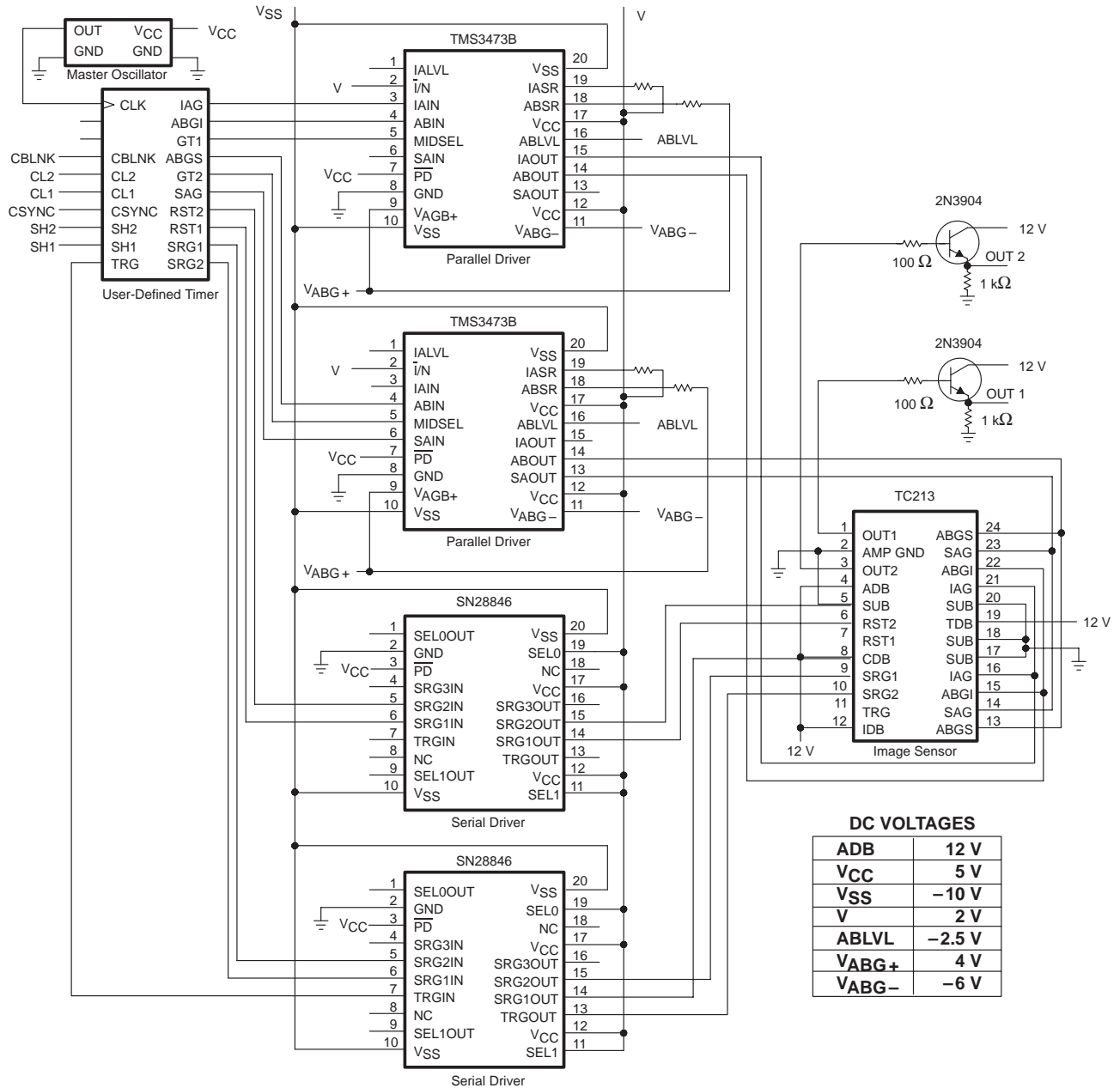


Figure 16. SRG and OUT Waveforms

TC213 1024- × 512-PIXEL CCD IMAGE SENSOR

SOCS013B – AUGUST 1989 – REVISED DECEMBER 1991

APPLICATION INFORMATION



SUPPORT CIRCUITS			
DEVICE	PACKAGE	APPLICATION	FUNCTION
SN28846DW	20 pin small outline	Serial driver	Driver for TRG, SRG1, SRG2, RST1, RST2
TMS3473BDW	20 pin small outline	Parallel driver	Driver for IAG, SAG, ABGI, ABGS

Figure 17. Typical Application Circuit Diagram

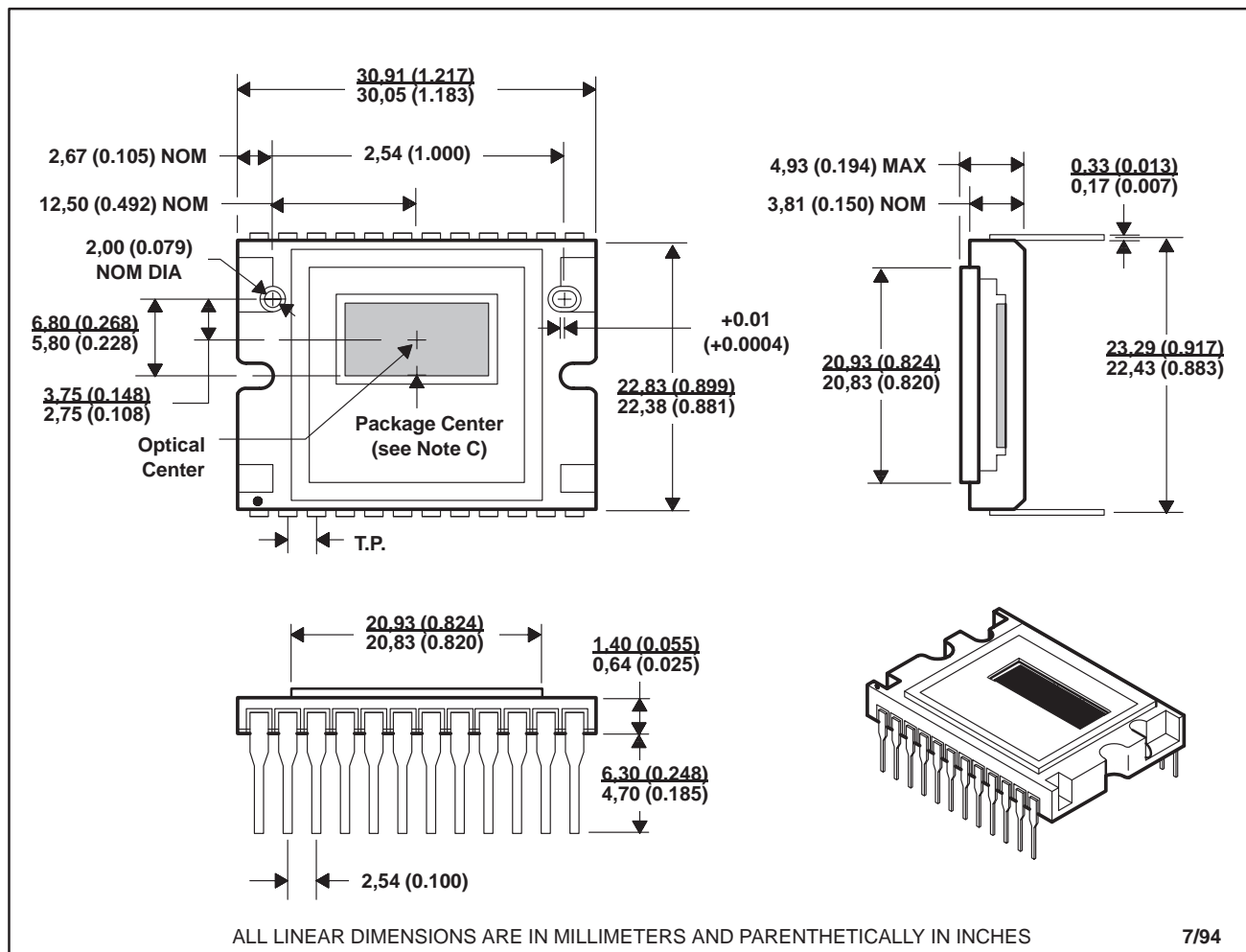


TC213 1024- × 512-PIXEL CCD IMAGE SENSOR

SOCS013B – AUGUST 1989 – REVISED DECEMBER 1991

MECHANICAL DATA

The package for the TC213 consists of a ceramic base, a glass window, and a 24-lead frame. The glass window is sealed to the package by an epoxy adhesive. The package leads are configured in a dual in-line organization and fit into mounting holes with 2,54 mm (0.1 in) center-to-center spacings.



- NOTES: A. Each pin centerline is located within 2,54 mm (0.1 inch) of its true longitudinal position.
 B. The optical center line and the center line of the ceramic package are not coincident.
 C. Maximum rotation is $\pm 3.5^\circ$.

IMPORTANT NOTICE

Texas Instruments and its subsidiaries (TI) reserve the right to make changes to their products or to discontinue any product or service without notice, and advise customers to obtain the latest version of relevant information to verify, before placing orders, that information being relied on is current and complete. All products are sold subject to the terms and conditions of sale supplied at the time of order acknowledgement, including those pertaining to warranty, patent infringement, and limitation of liability.

TI warrants performance of its semiconductor products to the specifications applicable at the time of sale in accordance with TI's standard warranty. Testing and other quality control techniques are utilized to the extent TI deems necessary to support this warranty. Specific testing of all parameters of each device is not necessarily performed, except those mandated by government requirements.

CERTAIN APPLICATIONS USING SEMICONDUCTOR PRODUCTS MAY INVOLVE POTENTIAL RISKS OF DEATH, PERSONAL INJURY, OR SEVERE PROPERTY OR ENVIRONMENTAL DAMAGE ("CRITICAL APPLICATIONS"). TI SEMICONDUCTOR PRODUCTS ARE NOT DESIGNED, AUTHORIZED, OR WARRANTED TO BE SUITABLE FOR USE IN LIFE-SUPPORT DEVICES OR SYSTEMS OR OTHER CRITICAL APPLICATIONS. INCLUSION OF TI PRODUCTS IN SUCH APPLICATIONS IS UNDERSTOOD TO BE FULLY AT THE CUSTOMER'S RISK.

In order to minimize risks associated with the customer's applications, adequate design and operating safeguards must be provided by the customer to minimize inherent or procedural hazards.

TI assumes no liability for applications assistance or customer product design. TI does not warrant or represent that any license, either express or implied, is granted under any patent right, copyright, mask work right, or other intellectual property right of TI covering or relating to any combination, machine, or process in which such semiconductor products or services might be or are used. TI's publication of information regarding any third party's products or services does not constitute TI's approval, warranty or endorsement thereof.