

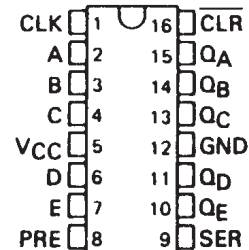
SN5496, SN54LS96, SN7496, SN74LS96 5-BIT SHIFT REGISTERS

SDLS946 - MARCH 1974 - REVISED MARCH 1988

- N-Bit Serial-To-Parallel Converter
- N-Bit Parallel-To-Serial Converter
- N-Bit Storage Register

SN5496, SN54LS96 . . . J OR W PACKAGE
SN7496 . . . N PACKAGE
SN74LS96 . . . D OR N PACKAGE
(TOP VIEW)

TYPE	TYPICAL	
	PROPAGATION DELAY TIME	POWER DISSIPATION
'96	25 ns	240 mW
'LS96	25 ns	60 mW



description

These shift registers consist of five R-S master-slave flip-flops connected to perform parallel-to-serial or serial-to-parallel conversion of binary data. Since both inputs and outputs for all flip-flops are accessible, parallel-in/parallel-out or serial-in/serial-out operation may be performed.

All flip-flops are simultaneously set to a low output level by applying a low-level voltage to the clear input while the preset is inactive (low). Clearing is independent of the level of the clock input.

The register may be parallel loaded by using the clear input in conjunction with the preset inputs. After clearing all stages to low output levels, data to be loaded is applied to the individual preset inputs (A, B, C, D, and E) and a high-level load pulse is applied to the preset enable input. Presetting like clearing is independent of the level of the clock input.

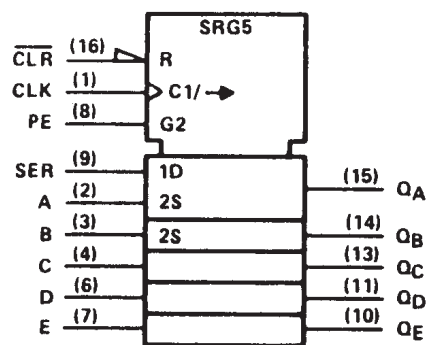
Transfer of information to the outputs occurs on the positive-going edge of the clock pulse. The proper information must be set up at the R-S inputs of each flip-flop prior to the rising edge of the clock input waveform. The serial input provides this information to the first flip-flop, while the outputs of the subsequent flip-flops provide information for the remaining R-S inputs. The clear input must be high and the preset or preset enable inputs must be low when clocking occurs.

FUNCTION TABLE

CLEAR	INPUTS					CLOCK	SERIAL	OUTPUTS				
	PRESET ENABLE	PRESET						Q _A	Q _B	Q _C	Q _D	Q _E
L	L	X	X	X	X	X	X	L	L	L	L	L
L	X	L	L	L	L	X	X	L	L	L	L	L
H	H	H	H	H	H	X	X	H	H	H	H	H
H	H	L	L	L	L	L	X	Q _{AO}	Q _{BO}	Q _{CO}	Q _{DO}	Q _{EO}
H	H	H	L	H	L	L	X	H	Q _{BO}	H	Q _{DO}	H
H	L	X	X	X	X	L	X	Q _{AO}	Q _{BO}	Q _{CO}	Q _{DO}	Q _{EO}
H	L	X	X	X	X	↑	H	H	Q _{An}	Q _{Bn}	Q _{Cn}	Q _{Dn}
H	L	X	X	X	X	↑	L	L	Q _{An}	Q _{Bn}	Q _{Cn}	Q _{Dn}

H = high level (steady state), L = low level (steady state)
X = irrelevant (any input, including transition)
↑ = transition from low to high level
Q_{AO}, Q_{BO}, etc = the level of Q_A, Q_B, etc, respectively before the indicated steady-state input conditions were established.
Q_{An}, Q_{Bn}, etc = the level of Q_A, Q_B, etc, respectively before the most recent ↑ transition of the clock.

logic symbol¹



¹ This symbol is in accordance with ANSI/IEEE Std 91-1984 and IEC Publication 617-12.

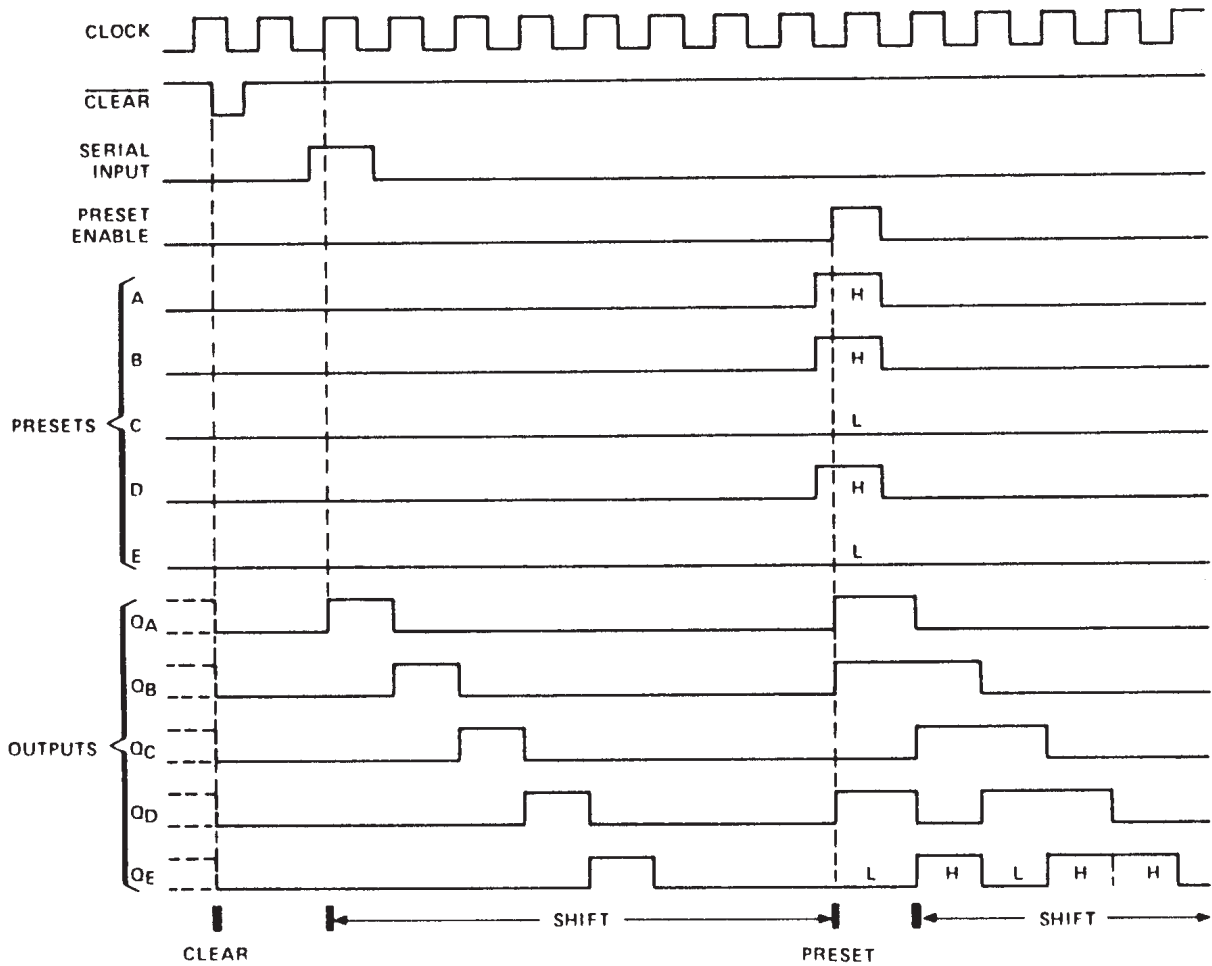
PRODUCTION DATA documents contain information current as of publication date. Products conform to specifications per the terms of Texas Instruments standard warranty. Production processing does not necessarily include testing of all parameters.

TEXAS
INSTRUMENTS

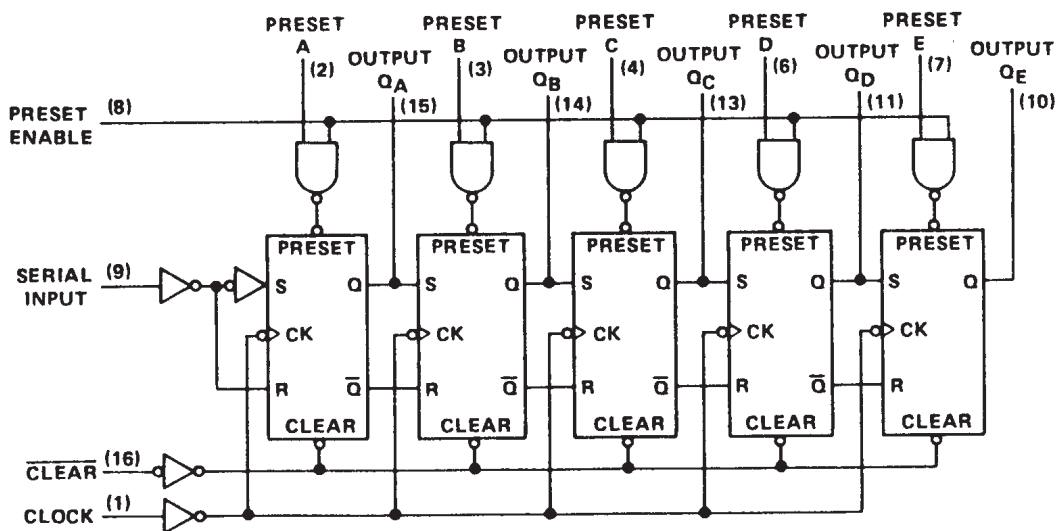
POST OFFICE BOX 655012 • DALLAS, TEXAS 75265

**SN5496, SN54LS96,
SN7496, SN74LS96
5-BIT SHIFT REGISTERS**

typical clear, shift, preset, and shift sequences

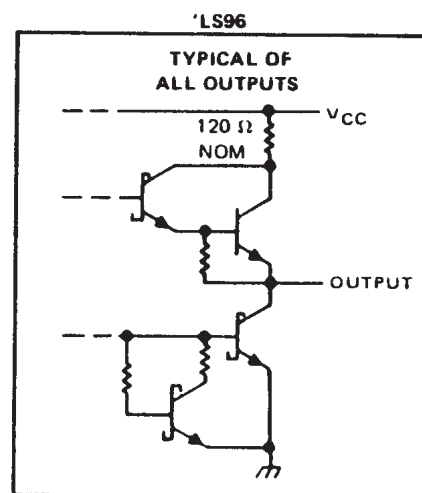
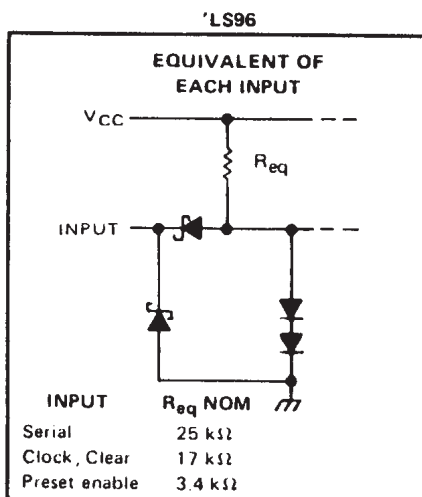
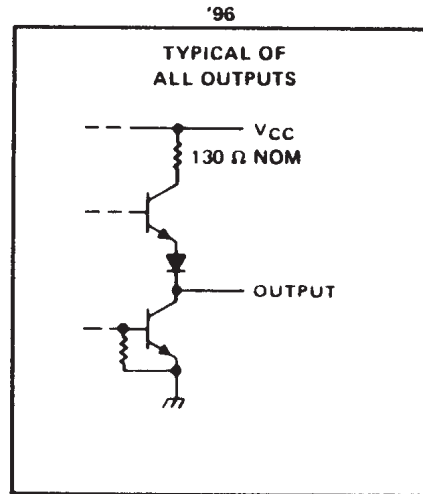
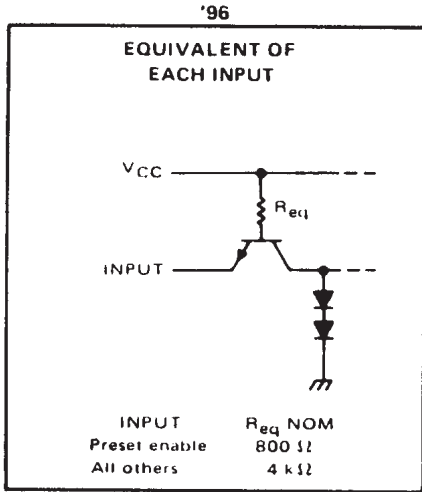


logic diagram (positive logic)



**SN5496, SN54LS96,
SN7496, SN74LS96
5-BIT SHIFT REGISTERS**

schematics of inputs and outputs



absolute maximum ratings over operating free-air temperature range (unless otherwise noted)

Supply voltage, V_{CC} (see Note 1)	7 V
Input voltage (see Note 2): '96	5.5 V
'LS96	7 V
Operating free-air temperature: SN54'	-55°C to 125°C
SN74'	0°C to 70°C
Storage temperature range	-65°C to 150°C

- NOTES: 1. Voltage values are with respect to network ground terminal.
2. Input voltage must be zero or positive with respect to network ground terminal.

SN5496, SN7496 5-BIT REGISTERS

recommended operating conditions

	SN5496			SN7496			UNIT
	MIN	NOM	MAX	MIN	NOM	MAX	
Supply voltage, V_{CC}	4.5	5	5.5	4.75	5	5.25	V
High-level output current, I_{OH}			-400			-400	μ A
Low-level output current, I_{OL}			16			16	mA
Clock frequency, f_{clock}	0		10	0		10	MHz
Width of clock input pulse, $t_{W(clock)}$	35			35			ns
Width of preset and clear input pulse, t_W	30			30			ns
Serial input setup time, t_{SU} (see Figure 1)	30			30			ns
Serial input hold time, t_H (see Figure 1)	0			0			ns
Operating free-air temperature, T_A	-55		125	0		70	$^{\circ}$ C

electrical characteristics over recommended operating free-air temperature range (unless otherwise noted)

PARAMETER		TEST CONDITIONS [†]	SN5496			SN7496			UNIT
			MIN	TYP [‡]	MAX	MIN	TYP [‡]	MAX	
V_{IH}	High-level input voltage		2			2			V
V_{IL}	Low-level input voltage				0.8			0.8	V
V_{OH}	High-level output voltage	$V_{CC} = \text{MIN}, V_{IH} = 2 \text{ V}, V_{IL} = 0.8 \text{ V}, I_{OH} = -400 \mu\text{A}$	2.4	3.4		2.4	3.4		V
V_{OL}	Low-level output voltage	$V_{CC} = \text{MIN}, V_{IH} = 2 \text{ V}, V_{IL} = 0.8 \text{ V}, I_{OL} = 16 \text{ mA}$		0.2	0.4		0.2	0.4	V
I_I	Input current at maximum input voltage	$V_{CC} = \text{MAX}, V_I = 5.5 \text{ V}$			1			1	mA
I_{IH}	High-level input current	any input except preset enable			40			40	μ A
		preset enable			200			200	
I_{IL}	Low-level input current	any input except preset enable			-1.6			-1.6	mA
		preset enable			-8			-8	
I_{OS}	Short-circuit output current [§]	$V_{CC} = \text{MAX}$	-20		-57	-18		-57	mA
I_{CC}	Supply current	$V_{CC} = \text{MAX}, \text{ See Note 3}$		48	68		48	79	mA

[†]For conditions shown at MIN or MAX, use the appropriate value specified under recommended operating conditions.

[‡]All typical values are at $V_{CC} = 5 \text{ V}, T_A = 25^{\circ}\text{C}$.

[§]Not more than one output should be shorted at a time.

NOTE 3: I_{CC} is measured with the clear input grounded and all other inputs and outputs open.

switching characteristics, $V_{CC} = 5 \text{ V}, T_A = 25^{\circ}\text{C}$

PARAMETER	TEST CONDITIONS	MIN	TYP	MAX	UNIT	
t_{PLH} Propagation delay time, low-to-high-level output from clock	$C_L = 15 \text{ pF}, R_L = 400 \Omega, \text{ See Figure 1}$		25	40	ns	
t_{PHL} Propagation delay time, high-to-low-level output from clock			25	40	ns	
t_{PLH} Propagation delay time, low-to-high-level output from preset or preset enable				28	35	ns
t_{PHL} Propagation delay time, high-to-low-level output from clear					55	ns

SN54LS96, SN74LS96 5-BIT SHIFT REGISTERS

recommended operating conditions

	SN54LS96			SN74LS96			UNIT
	MIN	NOM	MAX	MIN	NOM	MAX	
Supply voltage, V_{CC}	4.5	5	5.5	4.75	5	5.25	V
High-level output current, I_{OH}			-400			-400	μ A
Low-level output current, I_{OL}			4			8	mA
Clock frequency, f_{clock}	0		25	0		25	MHz
Width of clock input pulse, $t_{w(clock)}$	20			20			ns
Width of preset and clear input pulse, t_w	30			30			ns
Serial input setup time, t_{setup} (see Figure 1)	30			30			ns
Serial input hold time, t_{hold} (see Figure 1)	0			0			ns
Operating free-air temperature, T_A	-55		125	0		70	$^{\circ}$ C

electrical characteristics over recommended operating free-air temperature range (unless otherwise noted)

PARAMETER		TEST CONDITIONS [†]	SN54LS96			SN74LS96			UNIT	
			MIN	TYP [‡]	MAX	MIN	TYP [‡]	MAX		
V_{IH}	High-level input voltage		2			2			V	
V_{IL}	Low-level input voltage				0.7			0.8	V	
V_{IK}	Input clamp voltage	$V_{CC} = \text{MIN}, I_I = -18 \text{ mA}$			-1.5			-1.5	V	
V_{OH}	High-level output voltage	$V_{CC} = \text{MIN}, V_{IH} = 2 \text{ V}, V_{IL} = V_{IL \text{ max}}, I_{OH} = -400 \mu\text{A}$	2.5	3.5		2.7	3.5		V	
V_{OL}	Low-level output voltage	$V_{CC} = \text{MIN}, V_{IH} = 2 \text{ V}, V_{IL} = V_{IL \text{ max}}$	$I_{OL} = 4 \text{ mA}$	0.25	0.4	0.25	0.4		V	
			$I_{OL} = 8 \text{ mA}$			0.35	0.5			
I_I	Input current at maximum input voltage	Preset enable	$V_{CC} = \text{MAX}, V_I = 7 \text{ V}$			0.5			0.5	mA
		All others								
I_{IH}	High-level input current	Preset enable	$V_{CC} = \text{MAX}, V_I = 2.7 \text{ V}$			100			100	μ A
		All others								
I_{IL}	Low-level input current	Preset enable	$V_{CC} = \text{MAX}, V_I = 0.4 \text{ V}$			-2			-2	mA
		All others								
I_{OS}	Short-circuit output current [§]	$V_{CC} = \text{MAX}$	-20		-100	-20		-100	mA	
I_{CC}	Supply current	$V_{CC} = \text{MAX},$ See Note 3	12		20	12		20	mA	

[†] For conditions shown at MIN or MAX, use the appropriate value specified under recommended operating conditions.

All typical values are at $V_{CC} = 5 \text{ V}, T_A = 25 \text{ }^{\circ}\text{C}$

[§] Not more than one output should be shorted at a time, and duration of the short-circuit should not exceed one second.

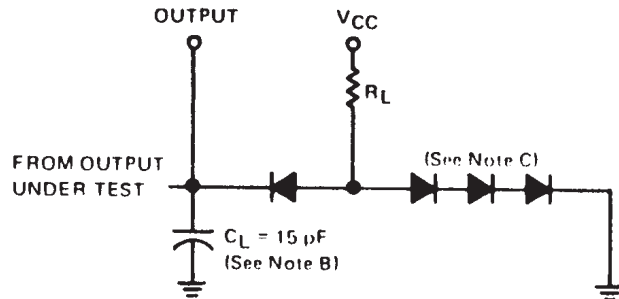
NOTE 3: I_{CC} is measured with the clear input grounded and all other inputs and outputs open.

switching characteristics, $V_{CC} = 5 \text{ V}, T_A = 25^{\circ}\text{C}$

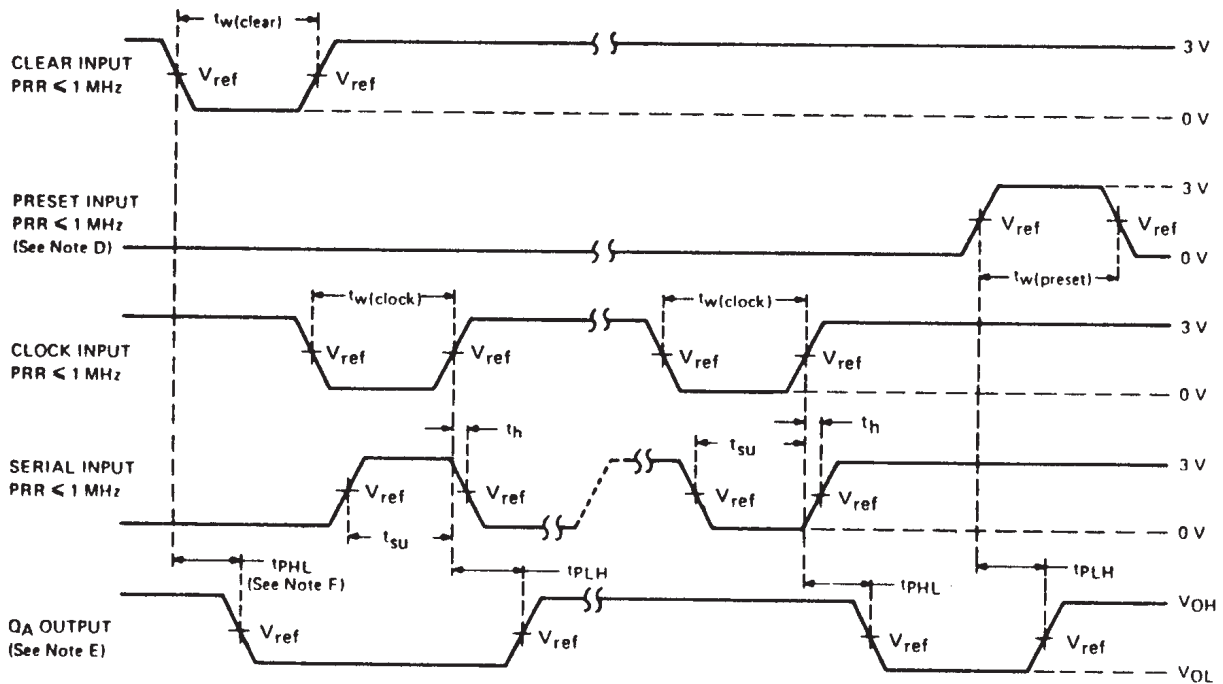
PARAMETER	TEST CONDITIONS	MIN	TYP	MAX	UNIT	
t_{PLH} Propagation delay time, low-to-high-level output from clock	$C_L = 15 \text{ pF}, R_L = 2 \text{ k}\Omega,$ See Figure 1		25	40	ns	
t_{PHL} Propagation delay time, high-to-low-level output from clock			25	40	ns	
t_{PLH} Propagation delay time, low-to-high-level output from preset or preset enable				28	35	ns
t_{PHL} Propagation delay time, high-to-low-level output from clear					55	ns

**SN5496, SN54LS96,
SN7496, SN74LS96
5-BIT SHIFT REGISTERS**

PARAMETER MEASUREMENT INFORMATION



LOAD CIRCUIT



VOLTAGE WAVEFORMS

- NOTES: A. Input pulses are supplied by pulse generators having the following characteristics: duty cycle $\leq 50\%$, $Z_{out} \approx 50 \Omega$; for '96, $t_r \leq 10 \text{ ns}$, $t_f \leq 10 \text{ ns}$, and for 'LS96 $t_r = 15 \text{ ns}$, $t_f = 6 \text{ ns}$.
- B. C_L includes probe and jig capacitance.
- C. All diodes are 1N3064 or equivalent.
- D. Preset may be tested by applying a high-level voltage to the individual preset inputs and pulsing the preset enable or by applying a high-level voltage to the preset enable and pulsing the individual preset inputs.
- E. Q_A output is illustrated. Relationship of serial input to other Q outputs is illustrated in the typical shift sequence.
- F. Outputs are set to the high level prior to the measurement of t_{PHL} from the clear input.
- G. For '96, $V_{ref} = 1.5 \text{ V}$; for 'LS96 $V_{ref} = 1.3 \text{ V}$.

FIGURE 1—SWITCHING TIMES

IMPORTANT NOTICE

Texas Instruments and its subsidiaries (TI) reserve the right to make changes to their products or to discontinue any product or service without notice, and advise customers to obtain the latest version of relevant information to verify, before placing orders, that information being relied on is current and complete. All products are sold subject to the terms and conditions of sale supplied at the time of order acknowledgement, including those pertaining to warranty, patent infringement, and limitation of liability.

TI warrants performance of its semiconductor products to the specifications applicable at the time of sale in accordance with TI's standard warranty. Testing and other quality control techniques are utilized to the extent TI deems necessary to support this warranty. Specific testing of all parameters of each device is not necessarily performed, except those mandated by government requirements.

CERTAIN APPLICATIONS USING SEMICONDUCTOR PRODUCTS MAY INVOLVE POTENTIAL RISKS OF DEATH, PERSONAL INJURY, OR SEVERE PROPERTY OR ENVIRONMENTAL DAMAGE ("CRITICAL APPLICATIONS"). TI SEMICONDUCTOR PRODUCTS ARE NOT DESIGNED, AUTHORIZED, OR WARRANTED TO BE SUITABLE FOR USE IN LIFE-SUPPORT DEVICES OR SYSTEMS OR OTHER CRITICAL APPLICATIONS. INCLUSION OF TI PRODUCTS IN SUCH APPLICATIONS IS UNDERSTOOD TO BE FULLY AT THE CUSTOMER'S RISK.

In order to minimize risks associated with the customer's applications, adequate design and operating safeguards must be provided by the customer to minimize inherent or procedural hazards.

TI assumes no liability for applications assistance or customer product design. TI does not warrant or represent that any license, either express or implied, is granted under any patent right, copyright, mask work right, or other intellectual property right of TI covering or relating to any combination, machine, or process in which such semiconductor products or services might be or are used. TI's publication of information regarding any third party's products or services does not constitute TI's approval, warranty or endorsement thereof.