

SN54AS194, SN74AS194 4-BIT BIDIRECTIONAL UNIVERSAL SHIFT REGISTERS

SDAS212A – DECEMBER 1983 – REVISED DECEMBER 1994

- Parallel-to-Serial, Serial-to-Parallel Conversions
- Left or Right Shifts
- Parallel Synchronous Loading
- Direct Overriding Clear
- Temporary Data-Latching Capability
- Package Options Include Plastic Small-Outline Packages (D), Ceramic Chip Carriers (FK), and Standard Plastic (N) and Ceramic (J) 300-mil DIPs

description

These 4-bit bidirectional universal shift registers feature parallel outputs, right-shift and left-shift serial (SR SER, SL SER) inputs, operating-mode-control (S_0 , S_1) inputs, and a direct overriding clear (\overline{CLR}) line. The registers have four distinct modes of operation:

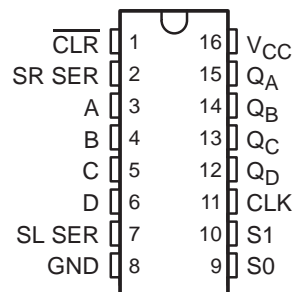
- Inhibit clock (temporary data latch/do nothing)
- Shift right (in the direction Q_A toward Q_D)
- Shift left (in the direction Q_D toward Q_A)
- Parallel (broadside) load

Parallel synchronous loading is accomplished by applying the four bits of data and taking both S_0 and S_1 high. The data is loaded into the associated flip-flops and appears at the outputs after the positive transition of the clock (CLK) input. During loading, serial data flow is inhibited.

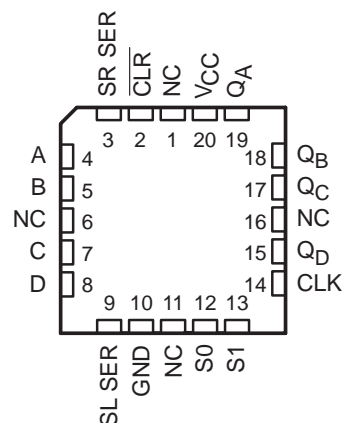
Shift right is accomplished synchronously with the rising edge of the clock pulse when S_0 is high and S_1 is low. Serial data for this mode is entered at the shift-right data input. When S_0 is low and S_1 is high, data shifts left synchronously and new data is entered at the shift-left serial inputs. Clocking of the flip-flop is inhibited when both mode-control inputs are low.

The SN54AS194 is characterized for operation over the full military temperature range of -55°C to 125°C . The SN74AS194 is characterized for operation from 0°C to 70°C .

SN54AS194 . . . J PACKAGE
SN74AS194 . . . D OR N PACKAGE
(TOP VIEW)



SN54AS194 . . . FK PACKAGE
(TOP VIEW)



NC – No internal connection

SN54AS194, SN74AS194 4-BIT BIDIRECTIONAL UNIVERSAL SHIFT REGISTERS

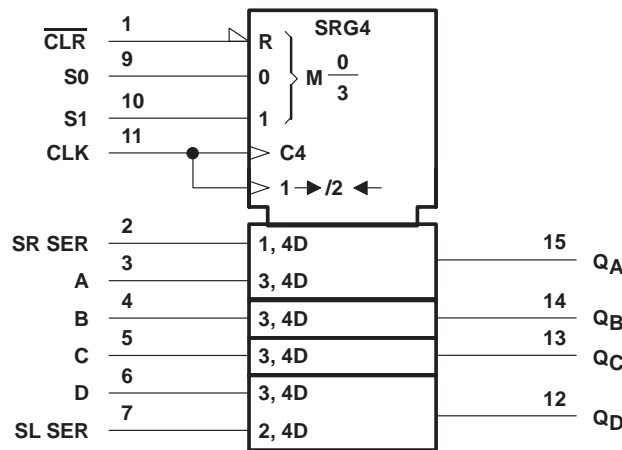
SDAS212A – DECEMBER 1983 – REVISED DECEMBER 1994

FUNCTION TABLE

CLR	MODE		CLK	INPUTS				OUTPUTS					
	S1	S0		SERIAL		PARALLEL				Q _A	Q _B	Q _C	Q _D
				LEFT	RIGHT	A	B	C	D				
L	X	X	X	X	X	X	X	X	X	L	L	L	L
H	X	X	L	X	X	X	X	X	X	Q _{A0}	Q _{B0}	Q _{C0}	Q _{D0}
H	H	H	↑	X	X	a	b	c	d	a	b	c	d
H	L	H	↑	X	H	X	X	X	X	H	Q _{An}	Q _{Bn}	Q _{Cn}
H	L	H	↑	X	L	X	X	X	X	L	Q _{An}	Q _{Bn}	Q _{Cn}
H	H	L	↑	H	X	X	X	X	X	Q _{Bn}	Q _{Cn}	Q _{Dn}	H
H	H	L	↑	L	X	X	X	X	X	Q _{Bn}	Q _{Cn}	Q _{Dn}	L
H	L	L	X	X	X	X	X	X	X	Q _{A0}	Q _{B0}	Q _{C0}	Q _{D0}

H = high level (steady state); L = low level (steady state); X = irrelevant (any input, including transitions); ↑ = transition from low to high level; a, b, c, d = the level of steady-state input at inputs A, B, C, or D, respectively; Q_{A0}, Q_{B0}, Q_{C0}, Q_{D0} = the level of Q_A, Q_B, Q_C, or Q_D, respectively, before the indicated steady-state input conditions were established; Q_{An}, Q_{Bn}, Q_{Cn}, Q_{Dn} = the level of Q_A, Q_B, Q_C, respectively, before the most recent ↑ transition of the clock.

logic symbol†

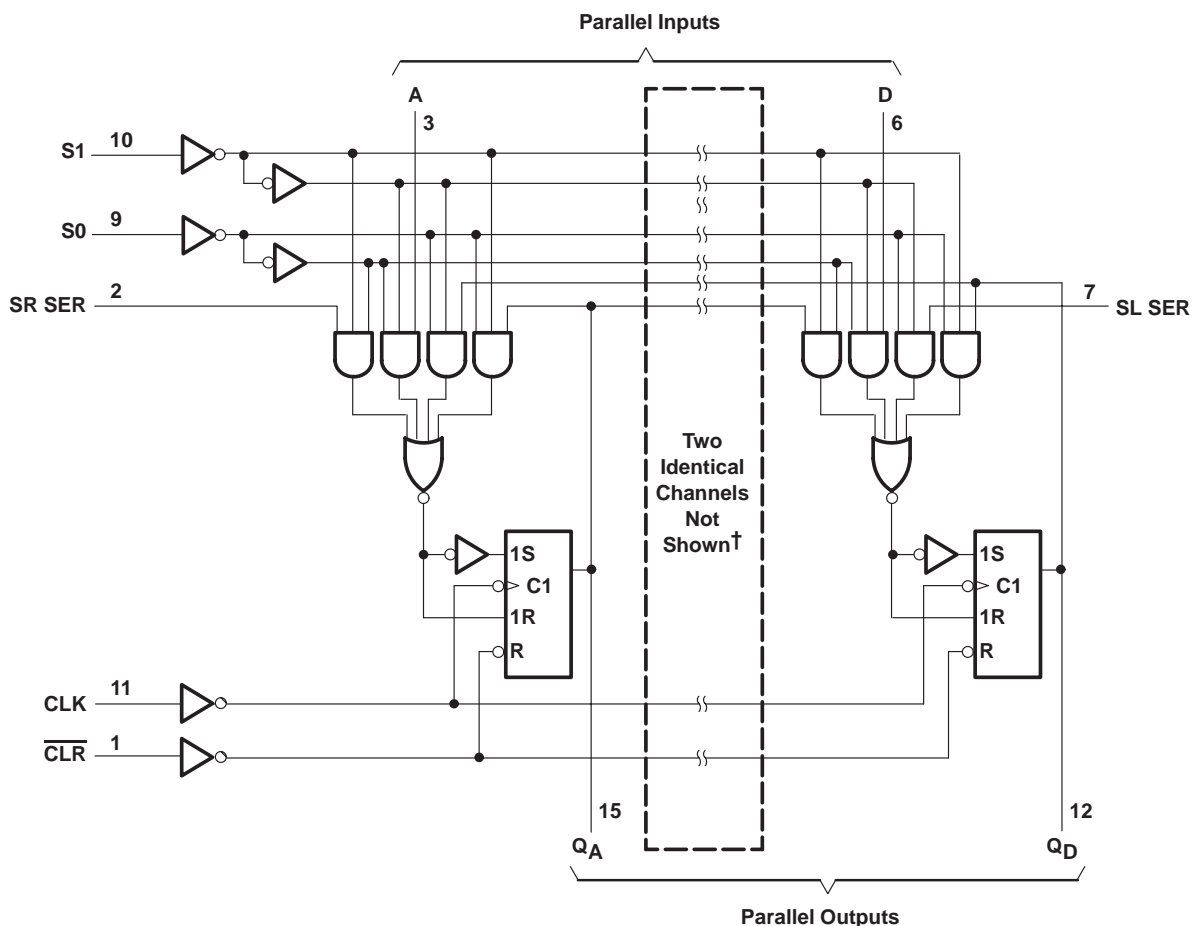


† This symbol is in accordance with ANSI/IEEE Std 91-1984 and IEC Publication 617-12.

SN54AS194, SN74AS194 4-BIT BIDIRECTIONAL UNIVERSAL SHIFT REGISTERS

SDAS212A – DECEMBER 1983 – REVISED DECEMBER 1994

logic diagram (positive logic)



† I/O ports not shown: Q_B (14) and Q_C (13)
Pin numbers shown are for the D, J, and N packages.

SN54AS194, SN74AS194 4-BIT BIDIRECTIONAL UNIVERSAL SHIFT REGISTERS

SDAS212A – DECEMBER 1983 – REVISED DECEMBER 1994

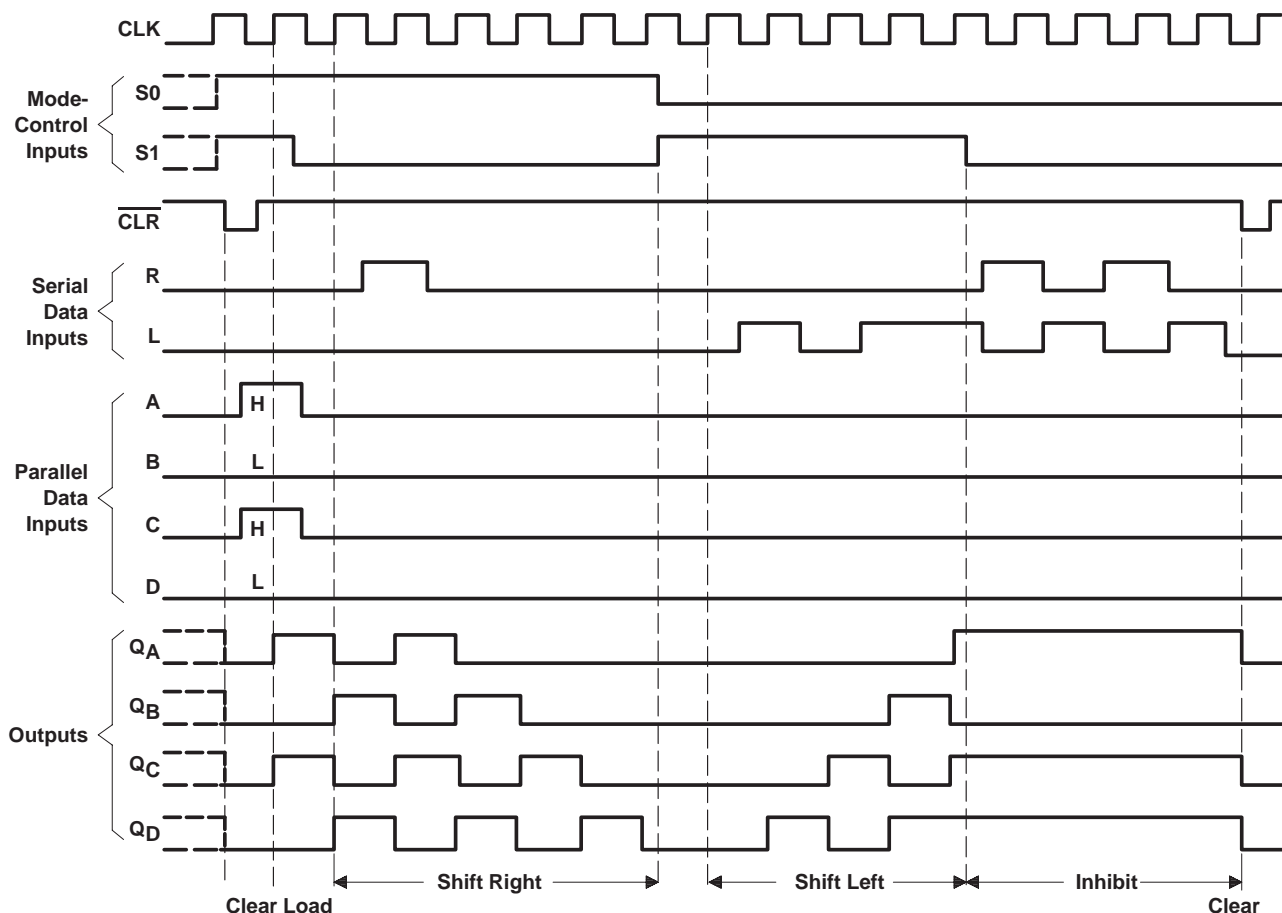


Figure 1. Typical Clear, Load, Right-Shift, and Clear Sequences

absolute maximum ratings over operating free-air temperature range (unless otherwise noted)†

Supply voltage, V_{CC}	7 V
Input voltage, V_I	7 V
Operating free-air temperature range, T_A : SN54AS194	-55°C to 125°C
SN74AS194	0°C to 70°C
Storage temperature range	-65°C to 150°C

† Stresses beyond those listed under "absolute maximum ratings" may cause permanent damage to the device. These are stress ratings only, and functional operation of the device at these or any other conditions beyond those indicated under "recommended operating conditions" is not implied. Exposure to absolute-maximum-rated conditions for extended periods may affect device reliability.



POST OFFICE BOX 655303 • DALLAS, TEXAS 75265

SN54AS194, SN74AS194

4-BIT BIDIRECTIONAL UNIVERSAL SHIFT REGISTERS

SDAS212A – DECEMBER 1983 – REVISED DECEMBER 1994

recommended operating conditions

		SN54AS194			SN74AS194			UNIT
		MIN	NOM	MAX	MIN	NOM	MAX	
V _{CC}	Supply voltage	4.5	5	5.5	4.5	5	5.5	V
V _{IH}	High-level input voltage	2			2			V
V _{IL}	Low-level input voltage	0.8			0.8			V
I _{OH}	High-level output current	-2			-2			mA
I _{OL}	Low-level output current	20			20			mA
f _{clock} *	Clock frequency	0		75	0		80	MHz
t _w *	Pulse duration	$\overline{\text{CLR}}$		4	4.5		ns	
		CLK high		4	4			
		CLK low		6	7			
t _{su} *	Setup time before CLK↑	Select		9	9.5		ns	
		Data		3.5	4			
		Clear inactive state		6	6			
t _h *	Hold time, data after CLK↑	0.5			0.5			ns
T _A	Operating free-air temperature	-55		125	0		70	°C

* On products compliant to MIL-STD-883, Class B, these parameters are based on characterization data, but are not production tested.

electrical characteristics over recommended operating free-air temperature range (unless otherwise noted)

PARAMETER		TEST CONDITIONS		SN54AS194			SN74AS194			UNIT
				MIN	TYP†	MAX	MIN	TYP†	MAX	
V _{IK}		V _{CC} = 4.5 V, I _I = -18 mA		-1.2			-1.2			V
V _{OH}		V _{CC} = 4.5 V to 5.5 V, I _{OH} = -2 mA		V _{CC} -2			V _{CC} -2			V
V _{OL}		V _{CC} = 4.5 V, I _{OL} = 20 mA		0.35	0.5	0.35 0.5			V	
I _I	Data, CLK, $\overline{\text{CLR}}$	V _{CC} = 5.5 V,	V _I = 7 V	0.1			0.1			mA
	Mode, SL, SR			0.2			0.2			
I _{IH}	Data, CLK, $\overline{\text{CLR}}$	V _{CC} = 5.5 V,	V _I = 2.7 V	20			20			μA
	Mode, SL, SR			40			40			
I _{IL}	Data, CLK, $\overline{\text{CLR}}$	V _{CC} = 5.5 V,	V _I = 0.4 V	-0.5			-0.5			mA
	Mode, SL, SR			-1			-1			
I _O ‡		V _{CC} = 5.5 V, V _O = 2.25 V		-30	-112	-30 -112			mA	
I _{CC}		V _{CC} = 5.5 V		30	49	30 43			mA	
				38	60	38 53				

† All typical values are at V_{CC} = 5 V, T_A = 25°C.

‡ The output conditions have been chosen to produce a current that closely approximates one half of the true short-circuit output current, I_{OS}.



SN54AS194, SN74AS194

4-BIT BIDIRECTIONAL UNIVERSAL SHIFT REGISTERS

SDAS212A – DECEMBER 1983 – REVISED DECEMBER 1994

switching characteristics (see Figure 2)

PARAMETER	FROM (INPUT)	TO (OUTPUT)	V _{CC} = 4.5 V to 5.5 V, C _L = 50 pF, R _L = 500 Ω, T _A = MIN to MAX†				UNIT
			SN54AS194		SN74AS194		
			MIN	MAX	MIN	MAX	
f _{max} *			75		80		MHz
t _{PLH}	CLK	Any Q	2.5	8	3	7	ns
t _{PHL}			2.5	8	3	7	
t _{PHL}	$\overline{\text{CLR}}$	Any Q	3.5	13	4	12	ns

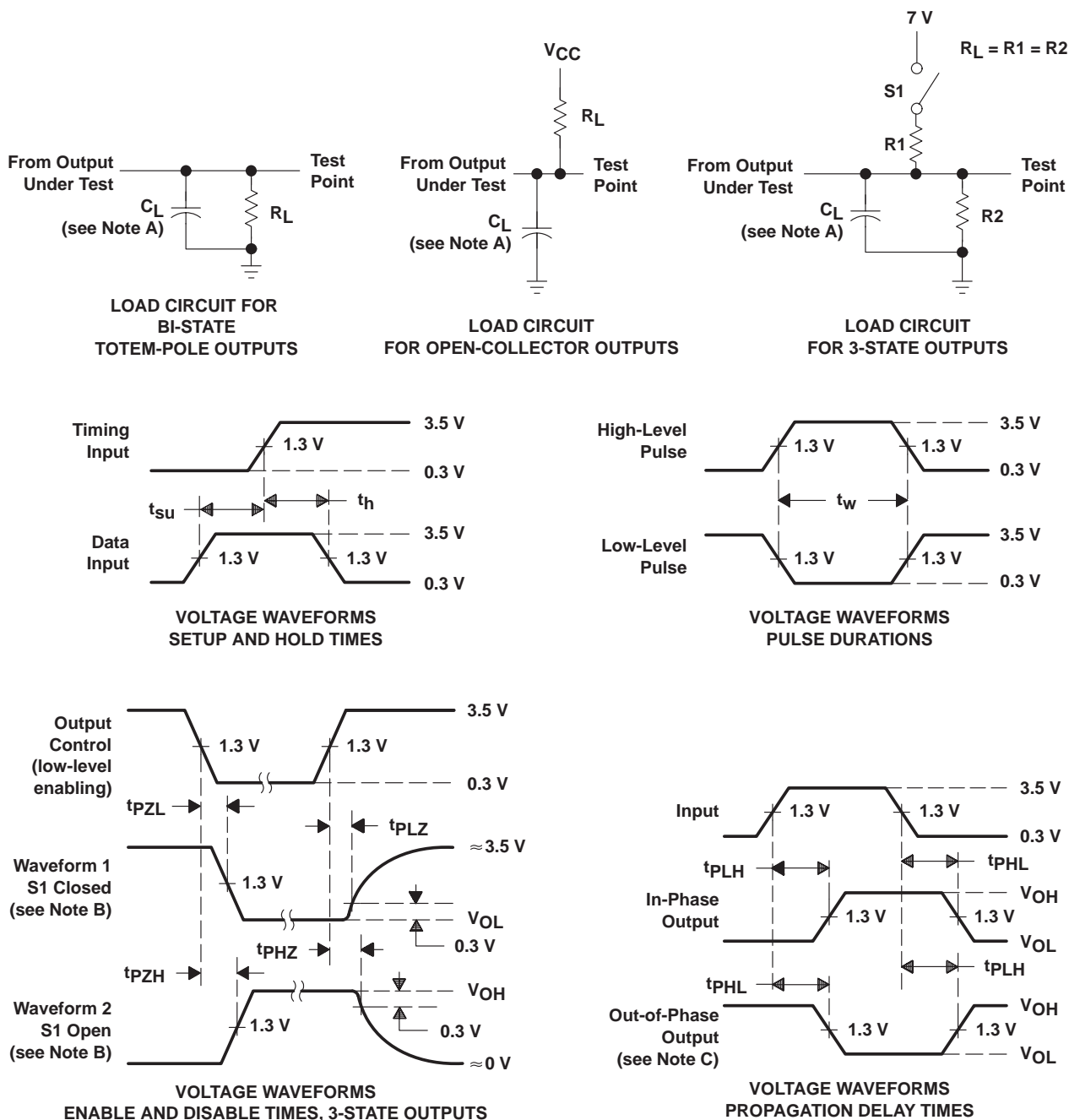
* On products compliant to MIL-STD-883, Class B, these parameters are based on characterization data, but are not production tested.

† For conditions shown as MIN or MAX, use the appropriate value specified under recommended operating conditions.

SN54AS194, SN74AS194 4-BIT BIDIRECTIONAL UNIVERSAL SHIFT REGISTERS

SDAS212A – DECEMBER 1983 – REVISED DECEMBER 1994

PARAMETER MEASUREMENT INFORMATION SERIES 54ALS/74ALS AND 54AS/74AS DEVICES



- NOTES: A. C_L includes probe and jig capacitance.
 B. Waveform 1 is for an output with internal conditions such that the output is low except when disabled by the output control. Waveform 2 is for an output with internal conditions such that the output is high except when disabled by the output control.
 C. When measuring propagation delay items of 3-state outputs, switch S1 is open.
 D. All input pulses have the following characteristics: $PRR \leq 1$ MHz, $t_r = t_f = 2$ ns, duty cycle = 50%.
 E. The outputs are measured one at a time with one transition per measurement.

Figure 2. Load Circuits and Voltage Waveforms



IMPORTANT NOTICE

Texas Instruments and its subsidiaries (TI) reserve the right to make changes to their products or to discontinue any product or service without notice, and advise customers to obtain the latest version of relevant information to verify, before placing orders, that information being relied on is current and complete. All products are sold subject to the terms and conditions of sale supplied at the time of order acknowledgement, including those pertaining to warranty, patent infringement, and limitation of liability.

TI warrants performance of its semiconductor products to the specifications applicable at the time of sale in accordance with TI's standard warranty. Testing and other quality control techniques are utilized to the extent TI deems necessary to support this warranty. Specific testing of all parameters of each device is not necessarily performed, except those mandated by government requirements.

CERTAIN APPLICATIONS USING SEMICONDUCTOR PRODUCTS MAY INVOLVE POTENTIAL RISKS OF DEATH, PERSONAL INJURY, OR SEVERE PROPERTY OR ENVIRONMENTAL DAMAGE ("CRITICAL APPLICATIONS"). TI SEMICONDUCTOR PRODUCTS ARE NOT DESIGNED, AUTHORIZED, OR WARRANTED TO BE SUITABLE FOR USE IN LIFE-SUPPORT DEVICES OR SYSTEMS OR OTHER CRITICAL APPLICATIONS. INCLUSION OF TI PRODUCTS IN SUCH APPLICATIONS IS UNDERSTOOD TO BE FULLY AT THE CUSTOMER'S RISK.

In order to minimize risks associated with the customer's applications, adequate design and operating safeguards must be provided by the customer to minimize inherent or procedural hazards.

TI assumes no liability for applications assistance or customer product design. TI does not warrant or represent that any license, either express or implied, is granted under any patent right, copyright, mask work right, or other intellectual property right of TI covering or relating to any combination, machine, or process in which such semiconductor products or services might be or are used. TI's publication of information regarding any third party's products or services does not constitute TI's approval, warranty or endorsement thereof.