

# CD74HC670, CD74HCT670

## High-Speed CMOS Logic 4x4 Register File

### Features

- Simultaneous and Independent Read and Write Operations
- Expandable to 512 Words of n-Bits
- Three-State Outputs
- Organized as 4 Words x 4 Bits Wide
- Buffered Inputs
- Typical Read Time = 16ns for CD74HC670  $V_{CC} = 5V$ ,  $C_L = 15pF$ ,  $T_A = 25^\circ C$
- Fanout (Over Temperature Range)
  - Standard Outputs . . . . . 10 LSTTL Loads
  - Bus Driver Outputs . . . . . 15 LSTTL Loads
- Wide Operating Temperature Range . . .  $-55^\circ C$  to  $125^\circ C$
- Balanced Propagation Delay and Transition Times
- Significant Power Reduction Compared to LSTTL Logic ICs
- HC Types
  - 2V to 6V Operation
  - High Noise Immunity:  $N_{IL} = 30\%$ ,  $N_{IH} = 30\%$  of  $V_{CC}$

 at  $V_{CC} = 5V$ 

- HCT Types
  - 4.5V to 5.5V Operation
  - Direct LSTTL Input Logic Compatibility,  $V_{IL} = 0.8V$  (Max),  $V_{IH} = 2V$  (Min)
  - CMOS Input Compatibility,  $I_I \leq 1\mu A$  at  $V_{OL}$ ,  $V_{OH}$

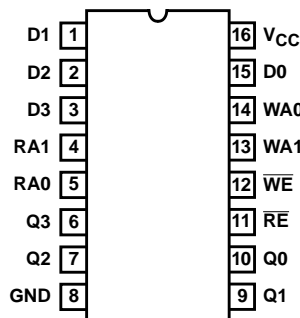
### Description

The Harris CD74HC670 and CD74HCT670 are 16-bit register files organized as 4 words x 4 bits each. Read and write address and enable inputs allow simultaneous writing into one location while reading another. Four data inputs are provided to store the 4-bit word. The write address inputs (WA0 and WA1) determine the location of the stored word in the register. When write enable ( $\overline{WE}$ ) is low the word is entered into the address location and it remains transparent to the data. The outputs will reflect the true form of the input data. When ( $\overline{WE}$ ) is high data and address inputs are inhibited. Data acquisition from the four registers is made possible by the read address inputs (RA1 and RA0). The addressed word appears at the output when the read enable ( $\overline{RE}$ ) is low. The output is in the high impedance state when the ( $\overline{RE}$ ) is high. Outputs can be tied together to increase the word capacity to 512 x 4 bits.

### Ordering Information

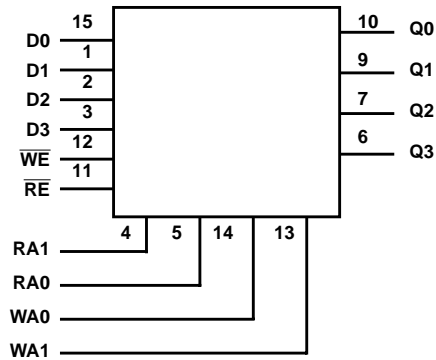
### Pinout

CD74HC670, CD74HCT670  
(PDIP, SOIC)  
TOP VIEW



# CD74HC670, CD74HCT670

## Functional Diagram



**WRITE MODE SELECT TABLE**

| OPERATING MODE | INPUTS          |       | INTERNAL LATCHES (NOTE 3) |
|----------------|-----------------|-------|---------------------------|
|                | $\overline{WE}$ | $D_N$ |                           |
| Write Data     | L               | L     | L                         |
|                | L               | H     | H                         |
| Data Latched   | H               | X     | No Change                 |

NOTE:

3. The Write Address (WA0 and WA1) to the "internal latches" must be stable while  $\overline{WE}$  is LOW for conventional operation.

**READ MODE SELECT TABLE**

| OPERATING MODE | INPUTS          |                           | OUTPUT $Q_N$ |
|----------------|-----------------|---------------------------|--------------|
|                | $\overline{RE}$ | INTERNAL LATCHES (NOTE 4) |              |
| Read           | L               | L                         | L            |
|                | L               | H                         | H            |
| Disabled       | H               | X                         | (Z)          |

NOTE:

4. The selection of the "internal latches" by Read Address (RA0 and RA1) are not constrained by  $\overline{WE}$  or  $\overline{RE}$  operation.  
 H = High Voltage Level  
 L = Low Voltage Level  
 X = Don't Care  
 Z = High Impedance "Off" State

## CD74HC670, CD74HCT670

### Absolute Maximum Ratings

|  |             |
|--|-------------|
| DC Supply Voltage, $V_{CC}$ .....                      | -0.5V to 7V |
| DC Input Diode Current, $I_{IK}$                       |             |
| For $V_I < -0.5V$ or $V_I > V_{CC} + 0.5V$ .....       | $\pm 20mA$  |
| DC Output Diode Current, $I_{OK}$                      |             |
| For $V_O < -0.5V$ or $V_O > V_{CC} + 0.5V$ .....       | $\pm 20mA$  |
| DC Drain Current, per Output, $I_O$                    |             |
| For $-0.5V < V_O < V_{CC} + 0.5V$ .....                | $\pm 35mA$  |
| DC Output Source or Sink Current per Output Pin, $I_O$ |             |
| For $V_O > -0.5V$ or $V_O < V_{CC} + 0.5V$ .....       | $\pm 25mA$  |
| DC $V_{CC}$ or Ground Current, $I_{CC}$ .....          | $\pm 50mA$  |

### Thermal Information

|  |                                  |
|--|----------------------------------|
| Thermal Resistance (Typical, Note 5)           | $\theta_{JA}$ (°C/W)             |
| PDIP Package .....                             | 90                               |
| SOIC Package .....                             | 160                              |
| Maximum Junction Temperature .....             | 150°C                            |
| Maximum Storage Temperature Range .....        | -65°C to 150°C                   |
| Maximum Lead Temperature (Soldering 10s) ..... | 300°C<br>(SOIC - Lead Tips Only) |

### Operating Conditions

|  |                |
|--|----------------|
| Temperature Range, $T_A$ .....               | -55°C to 125°C |
| Supply Voltage Range, $V_{CC}$               |                |
| HC Types .....                               | .2V to 6V      |
| HCT Types .....                              | 4.5V to 5.5V   |
| DC Input or Output Voltage, $V_I, V_O$ ..... | 0V to $V_{CC}$ |
| Input Rise and Fall Time                     |                |
| 2V .....                                     | 1000ns (Max)   |
| 4.5V .....                                   | 500ns (Max)    |
| 6V .....                                     | 400ns (Max)    |

*CAUTION: Stresses above those listed in "Absolute Maximum Ratings" may cause permanent damage to the device. This is a stress only rating and operation of the device at these or any other conditions above those indicated in the operational sections of this specification is not implied.*

**NOTE:**

- $\theta_{JA}$  is measured with the component mounted on an evaluation PC board in free air.

### DC Electrical Specifications

| PARAMETER                               | SYMBOL   | TEST CONDITIONS      |            | $V_{CC}$ (V) | 25°C |      |           | -40°C TO 85°C |         | -55°C TO 125°C |         | UNITS   |   |
|---|----------|----------------------|------------|--------------|------|------|-----------|---------------|---------|----------------|---------|---------|---|
|   |          | $V_I$ (V)            | $I_O$ (mA) |              | MIN  | TYP  | MAX       | MIN           | MAX     | MIN            | MAX     |         |   |
| <b>HC TYPES</b>                         |          |                      |            |              |      |      |           |               |         |                |         |         |   |
| High Level Input Voltage                | $V_{IH}$ | -                    | -          | 2            | 1.5  | -    | -         | 1.5           | -       | 1.5            | -       | V       |   |
|   |          |                      |            | 4.5          | 3.15 | -    | -         | 3.15          | -       | 3.15           | -       | V       |   |
|   |          |                      |            | 6            | 4.2  | -    | -         | 4.2           | -       | 4.2            | -       | V       |   |
| Low Level Input Voltage                 | $V_{IL}$ | -                    | -          | 2            | -    | -    | 0.5       | -             | 0.5     | -              | 0.5     | V       |   |
|   |          |                      |            | 4.5          | -    | -    | 1.35      | -             | 1.35    | -              | 1.35    | V       |   |
|   |          |                      |            | 6            | -    | -    | 1.8       | -             | 1.8     | -              | 1.8     | V       |   |
| High Level Output Voltage<br>CMOS Loads | $V_{OH}$ | $V_{IH}$ or $V_{IL}$ | -0.02      | -0.02        | 2    | 1.9  | -         | -             | 1.9     | -              | 1.9     | -       | V |
|   |          |                      | -0.02      | -0.02        | 4.5  | 4.4  | -         | -             | 4.4     | -              | 4.4     | -       | V |
|   |          |                      | -0.02      | -0.02        | 6    | 5.9  | -         | -             | 5.9     | -              | 5.9     | -       | V |
| High Level Output Voltage<br>TTL Loads  | $V_{OH}$ | $V_{IH}$ or $V_{IL}$ | -          | -            | -    | -    | -         | -             | -       | -              | -       | V       |   |
|   |          |                      | -6         | -6           | 4.5  | 3.98 | -         | -             | 3.84    | -              | 3.7     | -       | V |
|   |          |                      | -7.8       | -7.8         | 6    | 5.48 | -         | -             | 5.34    | -              | 5.2     | -       | V |
| Low Level Output Voltage<br>CMOS Loads  | $V_{OL}$ | $V_{IH}$ or $V_{IL}$ | 0.02       | 0.02         | 2    | -    | -         | 0.1           | -       | 0.1            | -       | 0.1     | V |
|   |          |                      | 0.02       | 0.02         | 4.5  | -    | -         | 0.1           | -       | 0.1            | -       | 0.1     | V |
|   |          |                      | 0.02       | 0.02         | 6    | -    | -         | 0.1           | -       | 0.1            | -       | 0.1     | V |
| Low Level Output Voltage<br>TTL Loads   | $V_{OL}$ | $V_{IH}$ or $V_{IL}$ | -          | -            | -    | -    | -         | -             | -       | -              | -       | V       |   |
|   |          |                      | 6          | 6            | 4.5  | -    | -         | 0.26          | -       | 0.33           | -       | 0.4     | V |
|   |          |                      | 7.8        | 7.8          | 6    | -    | -         | 0.26          | -       | 0.33           | -       | 0.4     | V |
| Input Leakage Current                   | $I_I$    | $V_{CC}$ or GND      | -          | 6            | -    | -    | $\pm 0.1$ | -             | $\pm 1$ | -              | $\pm 1$ | $\mu A$ |   |

## CD74HC670, CD74HCT670

### DC Electrical Specifications (Continued)

| PARAMETER  | SYMBOL           | TEST CONDITIONS                    |   | V <sub>CC</sub> (V) | 25°C |     |      | -40°C TO 85°C |      | -55°C TO 125°C |     | UNITS |
|--|------------------|------------------------------------|---|---------------------|------|-----|------|---------------|------|----------------|-----|-------|
|  |                  | V <sub>I</sub> (V)                 | I <sub>O</sub> (mA)                     |                     | MIN  | TYP | MAX  | MIN           | MAX  | MIN            | MAX |       |
| Quiescent Device Current                                       | I <sub>CC</sub>  | V <sub>CC</sub> or GND             | 0                                       | 6                   | -    | -   | 8    | -             | 80   | -              | 160 | μA    |
| Three- State Leakage Current                                   |                  | V <sub>IL</sub> or V <sub>IH</sub> | V <sub>O</sub> = V <sub>CC</sub> or GND | 6                   | -    | -   | ±0.5 | -             | ±5.0 | -              | ±10 | μA    |
| <b>HCT TYPES</b>   |                  |                                    |   |                     |      |     |      |               |      |                |     |       |
| High Level Input Voltage                                       | V <sub>IH</sub>  | -                                  | -                                       | 4.5 to 5.5          | 2    | -   | -    | 2             | -    | 2              | -   | V     |
| Low Level Input Voltage  | V <sub>IL</sub>  | -                                  | -                                       | 4.5 to 5.5          | -    | -   | 0.8  | -             | 0.8  | -              | 0.8 | V     |
| High Level Output Voltage<br>CMOS Loads                        | V <sub>OH</sub>  | V <sub>IH</sub> or V <sub>IL</sub> | -0.02                                   | 4.5                 | 4.4  | -   | -    | 4.4           | -    | 4.4            | -   | V     |
| High Level Output Voltage<br>TTL Loads                         |                  |                                    | -6                                      | 4.5                 | 3.98 | -   | -    | 3.84          | -    | 3.7            | -   | V     |
| Low Level Output Voltage<br>CMOS Loads                         | V <sub>OL</sub>  | V <sub>IH</sub> or V <sub>IL</sub> | 0.02                                    | 4.5                 | -    | -   | 0.1  | -             | 0.1  | -              | 0.1 | V     |
| Low Level Output Voltage<br>TTL Loads                          |                  |                                    | 6                                       | 4.5                 | -    | -   | 0.26 | -             | 0.33 | -              | 0.4 | V     |
| Input Leakage Current  | I <sub>I</sub>   | V <sub>CC</sub> and GND            | 0                                       | 5.5                 | -    | -   | ±0.1 | -             | ±1   | -              | ±1  | μA    |
| Quiescent Device Current                                       | I <sub>CC</sub>  | V <sub>CC</sub> or GND             | 0                                       | 5.5                 | -    | -   | 8    | -             | 80   | -              | 160 | μA    |
| Three- State Leakage Current                                   |                  | V <sub>IL</sub> or V <sub>IH</sub> | V <sub>O</sub> = V <sub>CC</sub> or GND | 5.5                 | -    | -   | ±0.5 | -             | ±5.0 | -              | ±10 | μA    |
| Additional Quiescent Device Current Per Input Pin: 1 Unit Load | ΔI <sub>CC</sub> | V <sub>CC</sub> -2.1               | -                                       | 4.5 to 5.5          | -    | 100 | 360  | -             | 450  | -              | 490 | μA    |

NOTE: For dual-supply systems theoretical worst case (V<sub>I</sub> = 2.4V, V<sub>CC</sub> = 5.5V) specification is 1.8mA.

### HCT Input Loading Table

| INPUT | UNIT LOADS |
|-------|------------|
| WE    | 0.3        |
| WA0   | 0.2        |
| WA1   | 0.4        |
| RE    | 1.5        |
| DATA  | 0.15       |
| RA0   | 0.4        |
| RA1   | 0.7        |

NOTE: Unit load is ΔI<sub>CC</sub> limit specific in DC Electrical Specifications Table, e.g., 360μA max. at 25°C.

## CD74HC670, CD74HCT670

### Prerequisite for Switching Specifications

| PARAMETER   | SYMBOL        | V <sub>CC</sub> (V) | 25°C |     |     | -40°C TO 85°C |     |     | -55°C TO 125°C |     |     | UNITS |
|---|---------------|---------------------|------|-----|-----|---------------|-----|-----|----------------|-----|-----|-------|
|   |               |                     | MIN  | TYP | MAX | MIN           | TYP | MAX | MIN            | TYP | MAX |       |
| <b>HC TYPES</b>   |               |                     |      |     |     |               |     |     |                |     |     |       |
| Setup Time<br>Data to $\overline{WE}$<br>Write to $\overline{WE}$ | $t_{SU}, t_H$ | 2                   | 60   | -   | -   | 75            | -   | -   | 90             | -   | -   | ns    |
|   |               | 4.5                 | 12   | -   | -   | 15            | -   | -   | 18             | -   | -   | ns    |
|   |               | 6                   | 10   | -   | -   | 13            | -   | -   | 15             | -   | -   | ns    |
| Hold Time<br>Data to $\overline{WE}$<br>Write to $\overline{WE}$  | $t_H, t_W$    | 2                   | 5    | -   | -   | 5             | -   | -   | 5              | -   | -   | ns    |
|   |               | 4.5                 | 5    | -   | -   | 5             | -   | -   | 5              | -   | -   | ns    |
|   |               | 6                   | 5    | -   | -   | 5             | -   | -   | 5              | -   | -   | ns    |
| Pulse Width $\overline{WE}$                                       | $t_W$         | 2                   | 80   | -   | -   | 100           | -   | -   | 120            | -   | -   | ns    |
|   |               | 4.5                 | 16   | -   | -   | 20            | -   | -   | 24             | -   | -   | ns    |
|   |               | 6                   | 14   | -   | -   | 17            | -   | -   | 20             | -   | -   | ns    |
| Latch Time $\overline{WE}$ to RA0,<br>RA1                         | $t_{LATCH}$   | 2                   | 100  | -   | -   | 125           | -   | -   | 150            | -   | -   | ns    |
|   |               | 4.5                 | 20   | -   | -   | 25            | -   | -   | 30             | -   | -   | ns    |
|   |               | 6                   | 17   | -   | -   | 21            | -   | -   | 26             | -   | -   | ns    |
| <b>HCT TYPES</b>  |               |                     |      |     |     |               |     |     |                |     |     |       |
| Setup Time<br>Data to $\overline{WE}$                             | $t_{SU}, t_H$ | 4.5                 | 12   | -   | -   | 15            | -   | -   | 18             | -   | -   | ns    |
| Hold Time<br>Data to $\overline{WE}$<br>Write to $\overline{WE}$  | $t_H, t_W$    | 4.5                 | 5    | -   | -   | 5             | -   | -   | 5              | -   | -   | ns    |
| Setup Time<br>Write to $\overline{WE}$                            | $t_{SU}$      | 4.5                 | 18   | -   | -   | 23            | -   | -   | 27             | -   | -   | ns    |
| Pulse Width $\overline{WE}$                                       | $t_W$         | 4.5                 | 20   | -   | -   | 25            | -   | -   | 30             | -   | -   | ns    |
| Latch Time $\overline{WE}$ to RA0,<br>RA1                         | $t_{LATCH}$   | 4.5                 | 25   | -   | -   | 31            | -   | -   | 38             | -   | -   | ns    |

### Switching Specifications $C_L = 50\text{pF}$ , Input $t_r, t_f = 6\text{ns}$

| PARAMETER                             | SYMBOL             | TEST CONDITIONS     | V <sub>CC</sub> (V) | 25°C |     |     | -40°C TO 85°C |     | -55°C TO 125°C |     | UNITS |
|---------------------------------------|--------------------|---------------------|---------------------|------|-----|-----|---------------|-----|----------------|-----|-------|
|                                       |                    |                     |                     | MIN  | TYP | MAX | MIN           | MAX | MIN            | MAX |       |
| <b>HC TYPES</b>                       |                    |                     |                     |      |     |     |               |     |                |     |       |
| Propagation Delay<br>Reading Any Word | $t_{PLH}, t_{PHL}$ | $C_L = 50\text{pF}$ | 2                   | -    | -   | 195 | -             | 245 | -              | 295 | ns    |
|                                       |                    |                     | 4.5                 | -    | -   | 39  | -             | 49  | -              | 59  | ns    |
|                                       |                    | $C_L = 15\text{pF}$ | 5                   | -    | 16  | -   | -             | -   | -              | -   | ns    |
|                                       |                    | $C_L = 50\text{pF}$ | 6                   | -    | -   | 33  | -             | 42  | -              | 50  | ns    |
| Write Enable to Output                | $t_{PLH}, t_{PHL}$ | $C_L = 50\text{pF}$ | 2                   | -    | -   | 250 | -             | 315 | -              | 375 | ns    |
|                                       |                    |                     | 4.5                 | -    | -   | 50  | -             | 63  | -              | 75  | ns    |
|                                       |                    | $C_L = 15\text{pF}$ | 5                   | -    | 21  | -   | -             | -   | -              | -   | ns    |
|                                       |                    | $C_L = 50\text{pF}$ | 6                   | -    | -   | 43  | -             | 54  | -              | 64  | ns    |

## CD74HC670, CD74HCT670

### Switching Specifications $C_L = 50\text{pF}$ , Input $t_r, t_f = 6\text{ns}$ (Continued)

| PARAMETER                                  | SYMBOL             | TEST CONDITIONS     | $V_{CC}$ (V) | 25°C |     |     | -40°C TO 85°C |     | -55°C TO 125°C |     | UNITS |
|--|--------------------|---------------------|--------------|------|-----|-----|---------------|-----|----------------|-----|-------|
|  |                    |                     |              | MIN  | TYP | MAX | MIN           | MAX | MIN            | MAX |       |
| Data to Output                             | $t_{PLH}, t_{PHL}$ | $C_L = 50\text{pF}$ | 2            | -    | -   | 256 | -             | 315 | -              | 375 | ns    |
|  |                    |                     | 4.5          | -    | -   | 50  | -             | 63  | -              | 75  | ns    |
|  |                    | $C_L = 15\text{pF}$ | 5            | -    | 21  | -   | -             | -   | -              | -   | ns    |
|  |                    | $C_L = 50\text{pF}$ | 6            | -    | -   | 43  | -             | 54  | -              | 64  | ns    |
| Output Disable Time                        | $t_{PLZ}, t_{PHZ}$ | $C_L = 50\text{pF}$ | 2            | -    | -   | 150 | -             | 190 | -              | 225 | ns    |
|  |                    |                     | 4.5          | -    | -   | 30  | -             | 38  | -              | 45  | ns    |
|  |                    | $C_L = 15\text{pF}$ | 5            | -    | 12  | -   | -             | -   | -              | -   | ns    |
|  |                    | $C_L = 50\text{pF}$ | 6            | -    | -   | 26  | -             | 33  | -              | 38  | ns    |
| Output Enable Time                         | $t_{PZL}, t_{PZH}$ | $C_L = 50\text{pF}$ | 2            | -    | -   | 150 | -             | 190 | -              | 225 | ns    |
|  |                    |                     | 4.5          | -    | -   | 30  | -             | 38  | -              | 45  | ns    |
|  |                    | $C_L = 15\text{pF}$ | 5            | -    | 12  | -   | -             | -   | -              | -   | ns    |
|  |                    | $C_L = 50\text{pF}$ | 6            | -    | -   | 26  | -             | 33  | -              | 38  | ns    |
| Output Transition Time                     | $t_{THL}, t_{TLH}$ | $C_L = 50\text{pF}$ | 2            | -    | -   | 75  | -             | 95  | -              | 110 | ns    |
|  |                    |                     | 4.5          | -    | -   | 15  | -             | 19  | -              | 22  | ns    |
|  |                    |                     | 6            | -    | -   | 13  | -             | 10  | -              | 19  | ns    |
| Input Capacitance                          | $C_I$              | $C_L = 50\text{pF}$ | -            | 10   | -   | 10  | -             | 10  | -              | 10  | pF    |
| Three-State Output Capacitance             | $C_O$              | -                   | -            | 20   | -   | 20  | -             | 20  | -              | 20  | pF    |
| Power Dissipation Capacitance (Notes 6, 7) | $C_{PD}$           | $C_L = 15\text{pF}$ | 5            | -    | 59  | -   | -             | -   | -              | -   | pF    |
| <b>HCT TYPES</b>                           |                    |                     |              |      |     |     |               |     |                |     |       |
| Propagation Delay Reading Any Word         | $t_{PHL}, t_{PLH}$ | $C_L = 50\text{pF}$ | 4.5          | -    | -   | 40  | -             | 50  | -              | 53  | ns    |
|  |                    | $C_L = 15\text{pF}$ | 5            | -    | 17  | -   | -             | -   | -              | -   | ns    |
| Write Enable to Output                     | $t_{PHL}, t_{PLH}$ | $C_L = 50\text{pF}$ | 4.5          | -    | -   | 50  | -             | 63  | -              | 75  | ns    |
|  |                    | $C_L = 15\text{pF}$ | 5            | -    | 21  | -   | -             | -   | -              | -   | ns    |
| Data to Output                             | $t_{PHL}, t_{PLH}$ | $C_L = 50\text{pF}$ | 4.5          | -    | -   | 50  | -             | 63  | -              | 75  | ns    |
|  |                    | $C_L = 15\text{pF}$ | 5            | -    | 21  | -   | -             | -   | -              | -   | ns    |
| Output Disable Time                        | $t_{PLZ}, t_{PHZ}$ | $C_L = 50\text{pF}$ | 4.5          | -    | -   | 35  | -             | 44  | -              | 53  | ns    |
|  |                    | $C_L = 15\text{pF}$ | 5            | -    | 14  | -   | -             | -   | -              | -   | ns    |
| Output Enable Time                         | $t_{PZL}, t_{PZH}$ | $C_L = 50\text{pF}$ | 4.5          | -    | -   | 38  | -             | 48  | -              | 57  | ns    |
|  |                    | $C_L = 15\text{pF}$ | 5            | -    | 16  | -   | -             | -   | -              | -   | ns    |
| Output Transition Time                     | $t_{THL}, t_{TLH}$ | $C_L = 50\text{pF}$ | 4.5          | -    | -   | 15  | -             | 19  | -              | 22  | ns    |
| Input Capacitance                          | $C_I$              | $C_L = 50\text{pF}$ | -            | 10   | -   | 10  | -             | 10  | -              | 10  | pF    |
| Three-State Output Capacitance             | $C_O$              | -                   | -            | 20   | -   | 20  | -             | 20  | -              | 20  | pF    |
| Power Dissipation Capacitance (Notes 6, 7) | $C_{PD}$           | $C_L = 15\text{pF}$ | 5            | -    | 66  | -   | -             | -   | -              | -   | pF    |

**NOTES:**

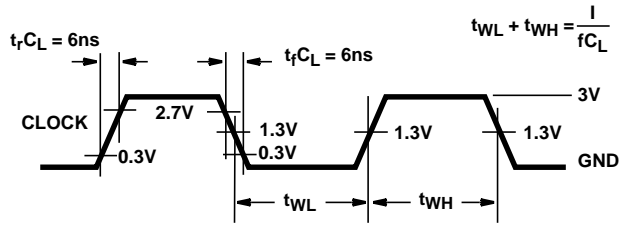
6.  $C_{PD}$  is used to determine the dynamic power consumption, per output.
7.  $P_D = C_{PD} V_{CC}^2 f_i + \sum C_L V_{CC}^2 f_O$  where  $f_i$  = Input Frequency,  $f_O$  = Output Frequency,  $C_L$  = Output Load Capacitance,  $V_{CC}$  = Supply Voltage.

Test Circuits and Waveforms



NOTE: Outputs should be switching from 10%  $V_{CC}$  to 90%  $V_{CC}$  in accordance with device truth table. For  $f_{MAX}$ , input duty cycle = 50%.

FIGURE 1. HC CLOCK PULSE RISE AND FALL TIMES AND PULSE WIDTH



NOTE: Outputs should be switching from 10%  $V_{CC}$  to 90%  $V_{CC}$  in accordance with device truth table. For  $f_{MAX}$ , input duty cycle = 50%.

FIGURE 2. HCT CLOCK PULSE RISE AND FALL TIMES AND PULSE WIDTH

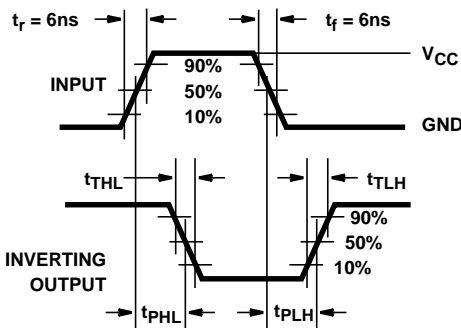


FIGURE 3. HC TRANSITION TIMES AND PROPAGATION DELAY TIMES, COMBINATION LOGIC

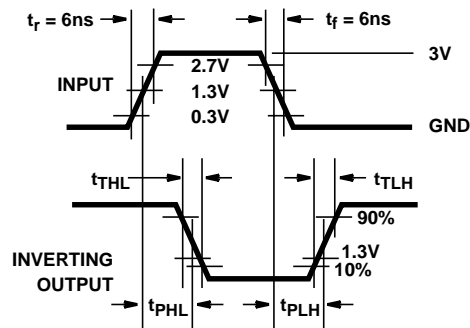


FIGURE 4. HCT TRANSITION TIMES AND PROPAGATION DELAY TIMES, COMBINATION LOGIC

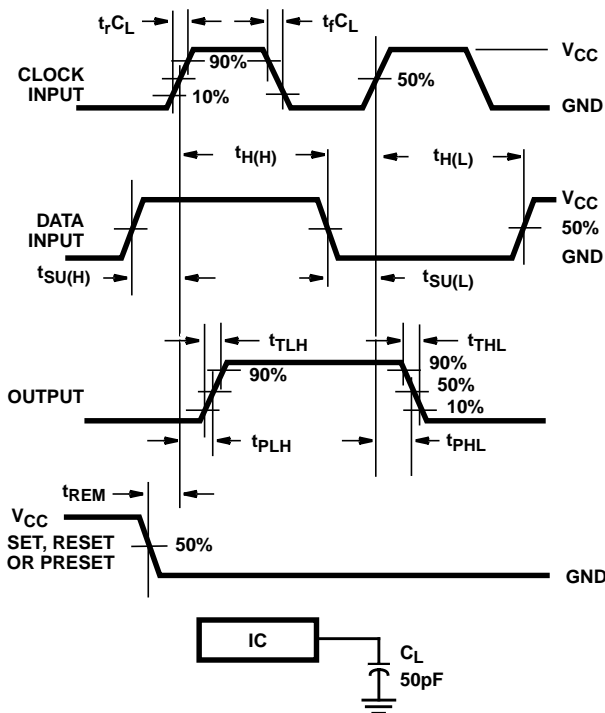


FIGURE 5. HC SETUP TIMES, HOLD TIMES, REMOVAL TIME, AND PROPAGATION DELAY TIMES FOR EDGE TRIGGERED SEQUENTIAL LOGIC CIRCUITS

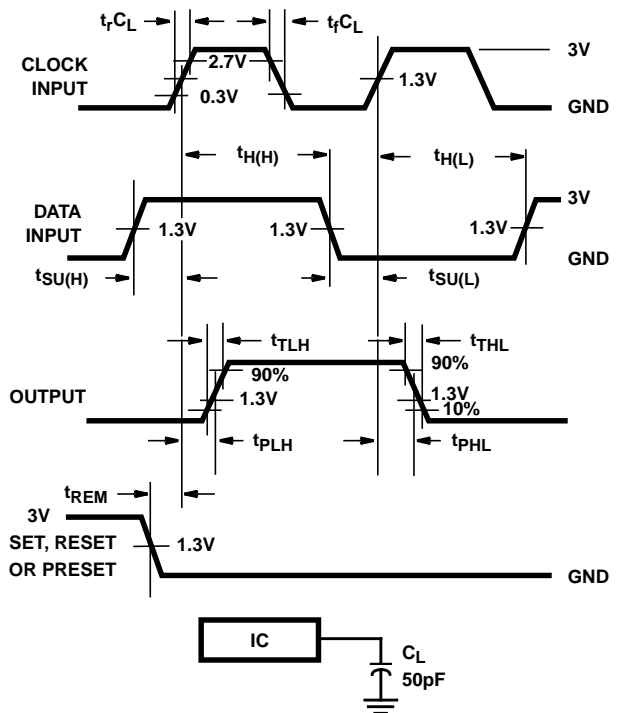


FIGURE 6. HCT SETUP TIMES, HOLD TIMES, REMOVAL TIME, AND PROPAGATION DELAY TIMES FOR EDGE TRIGGERED SEQUENTIAL LOGIC CIRCUITS

Test Circuits and Waveforms (Continued)

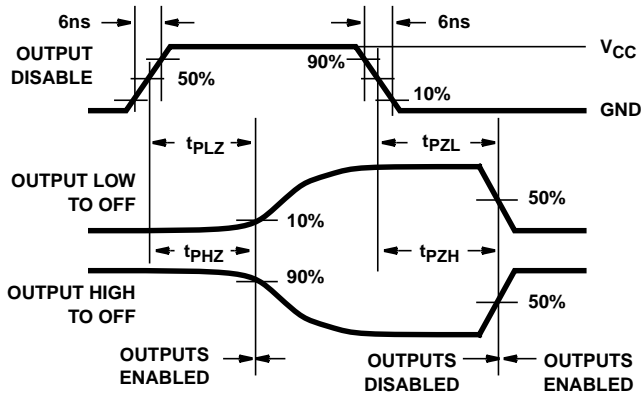
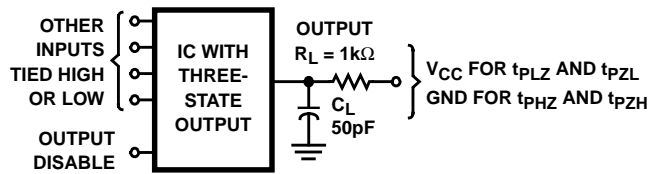


FIGURE 7. HC THREE-STATE PROPAGATION DELAY WAVEFORM



FIGURE 8. HCT THREE-STATE PROPAGATION DELAY WAVEFORM



NOTE: Open drain waveforms  $t_{PLZ}$  and  $t_{PZL}$  are the same as those for three-state shown on the left. The test circuit is Output  $R_L = 1k\Omega$  to  $V_{CC}$ ,  $C_L = 50pF$ .

FIGURE 9. HC AND HCT THREE-STATE PROPAGATION DELAY TEST CIRCUIT



## IMPORTANT NOTICE

Texas Instruments and its subsidiaries (TI) reserve the right to make changes to their products or to discontinue any product or service without notice, and advise customers to obtain the latest version of relevant information to verify, before placing orders, that information being relied on is current and complete. All products are sold subject to the terms and conditions of sale supplied at the time of order acknowledgement, including those pertaining to warranty, patent infringement, and limitation of liability.

TI warrants performance of its semiconductor products to the specifications applicable at the time of sale in accordance with TI's standard warranty. Testing and other quality control techniques are utilized to the extent TI deems necessary to support this warranty. Specific testing of all parameters of each device is not necessarily performed, except those mandated by government requirements.

CERTAIN APPLICATIONS USING SEMICONDUCTOR PRODUCTS MAY INVOLVE POTENTIAL RISKS OF DEATH, PERSONAL INJURY, OR SEVERE PROPERTY OR ENVIRONMENTAL DAMAGE ("CRITICAL APPLICATIONS"). TI SEMICONDUCTOR PRODUCTS ARE NOT DESIGNED, AUTHORIZED, OR WARRANTED TO BE SUITABLE FOR USE IN LIFE-SUPPORT DEVICES OR SYSTEMS OR OTHER CRITICAL APPLICATIONS. INCLUSION OF TI PRODUCTS IN SUCH APPLICATIONS IS UNDERSTOOD TO BE FULLY AT THE CUSTOMER'S RISK.

In order to minimize risks associated with the customer's applications, adequate design and operating safeguards must be provided by the customer to minimize inherent or procedural hazards.

TI assumes no liability for applications assistance or customer product design. TI does not warrant or represent that any license, either express or implied, is granted under any patent right, copyright, mask work right, or other intellectual property right of TI covering or relating to any combination, machine, or process in which such semiconductor products or services might be or are used. TI's publication of information regarding any third party's products or services does not constitute TI's approval, warranty or endorsement thereof.