

SN54180, SN74180

9-BIT ODD/EVEN PARITY GENERATORS/CHECKERS

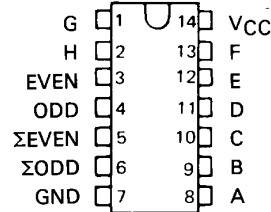
DECEMBER 1972—REVISED MARCH 1988

FUNCTION TABLE

INPUTS			OUTPUTS	
Σ OF H's AT A THRU H	EVEN	ODD	Σ EVEN	Σ ODD
EVEN	H	L	H	L
ODD	H	L	L	H
EVEN	L	H	L	H
ODD	L	H	H	L
X	H	H	L	L
X	L	L	H	H

H = high level, L = low level, X = irrelevant

SN54180 . . . J OR W PACKAGE
SN74180 . . . N PACKAGE
(TOP VIEW)



description

These universal, monolithic, 9-bit (8 data bits plus 1 parity bit) parity generators/checkers, utilize familiar Series 54/74 TTL circuitry and feature odd/even outputs and control inputs to facilitate operation in either odd or even-parity applications. Depending on whether even or odd parity is being generated or checked, the even or odd inputs can be utilized as the parity or 9th-bit input. The word-length capability is easily expanded by cascading.

The SN54180/SN74180 are fully compatible with other TTL or DTL circuits. Input buffers are provided so that each data input represents only one normalized series 54/74 load. A full fan-out to 10 normalized series 54/74 loads is available from each of the outputs at a low logic level. A fan-out to 20 normalized loads is provided at a high logic level to facilitate the connection of unused inputs to used inputs. Typical power dissipation is 170 mW.

The SN54180 is characterized for operation over the full military temperature range of -55°C to 125°C ; and the SN74180 is characterized for operation from 0°C to 70°C .

absolute maximum ratings over operating free-air temperature range (unless otherwise noted)

Supply voltage, V_{CC} (see Note 1)	7 V
Input voltage	5.5 V
Operating free-air temperature range: SN54180 Circuits	-55°C to 125°C
SN74180 Circuits	0°C to 70°C
Storage temperature range	-65°C to 150°C

NOTE 1: Voltage values are with respect to network ground terminal.

recommended operating conditions

	SN54180			SN74180			UNIT
	MIN	NOM	MAX	MIN	NOM	MAX	
Supply voltage, V_{CC}	4.5	5	5.5	4.75	5	5.25	V
High-level output current, I_{OH}			-800			-800	μA
Low-level output current, I_{OL}			16			16	mA
Operating free-air temperature, T_A	-55		125	0		70	$^{\circ}\text{C}$

PRODUCTION DATA documents contain information current as of publication date. Products conform to specifications per the terms of Texas Instruments standard warranty. Production processing does not necessarily include testing of all parameters.



POST OFFICE BOX 655012 • DALLAS, TEXAS 75265

SN54180, SN74180

9-BIT ODD/EVEN PARITY GENERATORS/CHECKERS

electrical characteristics over recommended operating free-air temperature range (unless otherwise noted)

PARAMETER	TEST CONDITIONS†	SN54180		SN74180		UNIT
		MIN	TYP‡	MAX	MIN	
V _{IH} High-level input voltage		2			2	V
V _{IL} Low-level input voltage				0.8		0.8
V _{IK} Input clamp voltage	V _{CC} = MIN, I _I = -12 mA			-1.5		-1.5
V _{OH} High-level output voltage	V _{CC} = MIN, V _{IH} = 2 V, V _{IL} = 0.8 V, I _{OH} = -800 μA	2.4	3.3		2.4 3.3	V
V _{OL} Low-level output voltage	V _{CC} = MIN, V _{IH} = 2 V, V _{IL} = 0.8 V, I _{OL} = 16 mA		0.2 0.4		0.2 0.4	V
I _I Input current at maximum input voltage	V _{CC} = MAX, V _I = 5.5 V			1		1
I _{IH} High-level input current	Any data input			40		40
	Even or odd input			80		80
I _{IL} Low-level input current	Any data input			-1.6		-1.6
	Even or odd input			-3.2		-3.2
I _{OS} Short-circuit output current§	V _{CC} = MAX	-20	-55	-18	-55	mA
I _{CC} Supply current	V _{CC} = MAX, See Note 2	34	49	34	56	mA

NOTE 2: I_{CC} is measured with even and odd inputs at 4.5 V, all other inputs and outputs open.

†For conditions shown as MIN or MAX, use the appropriate value specified under recommended operating conditions for the applicable type.

‡All typical values are at V_{CC} = 5 V, T_A = 25°C.

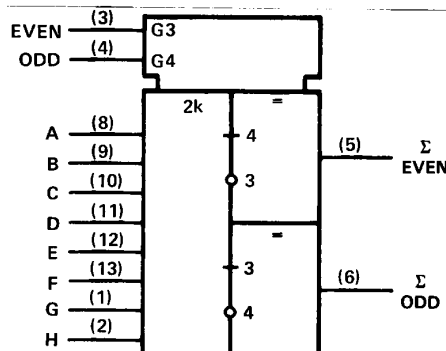
§Not more than one output should be shorted at a time.

switching characteristics, V_{CC} = 5 V, T_A = 25°C

PARAMETER†	FROM (INPUT)	TO (OUTPUT)	TEST CONDITIONS	MIN	TYP	MAX	UNIT
t _{PLH}	Data	Σ Even	C _L = 15 pF, R _L = 400 Ω, Odd input grounded, See Note 3	40	60	ns	
t _{PHL}				45	68		
t _{PLH}	Data	Σ Odd		32	48	ns	
t _{PHL}				25	38		
t _{PLH}	Data	Σ Even		C _L = 15 pF, R _L = 400 Ω, Even input grounded, See Note 3	32	48	ns
t _{PHL}					25	38	
t _{PLH}	Data	Σ Odd	40		60	ns	
t _{PHL}			45		68		
t _{PLH}	Even or Odd	Σ Even or Σ Odd	C _L = 15 pF, R _L = 400 Ω, See Note 3		13	20	ns
t _{PHL}					7	10	

NOTE 3: Load circuits and voltage waveforms are shown in Section 1.

logic symbol†



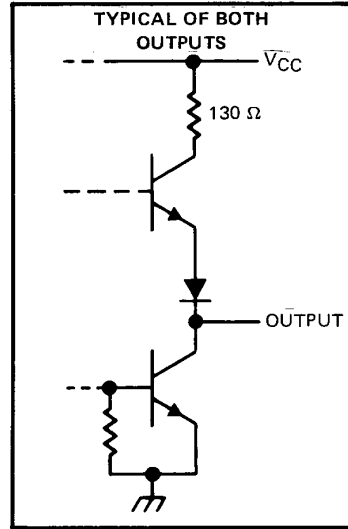
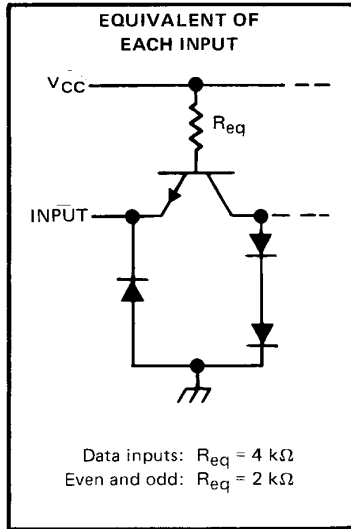
†This symbol is in accordance with ANSI/IEEE Std 91-1984 and IEC Publication 617-12.

2

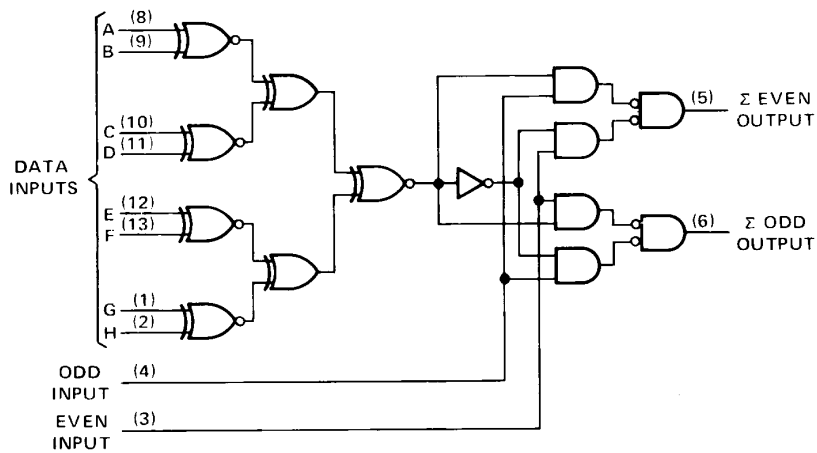
TTL Devices

SN54180, SN74180
9-BIT ODD/EVEN PARITY GENERATORS/CHECKERS

schematics of inputs and outputs



logic diagram (positive logic)



IMPORTANT NOTICE

Texas Instruments and its subsidiaries (TI) reserve the right to make changes to their products or to discontinue any product or service without notice, and advise customers to obtain the latest version of relevant information to verify, before placing orders, that information being relied on is current and complete. All products are sold subject to the terms and conditions of sale supplied at the time of order acknowledgement, including those pertaining to warranty, patent infringement, and limitation of liability.

TI warrants performance of its semiconductor products to the specifications applicable at the time of sale in accordance with TI's standard warranty. Testing and other quality control techniques are utilized to the extent TI deems necessary to support this warranty. Specific testing of all parameters of each device is not necessarily performed, except those mandated by government requirements.

CERTAIN APPLICATIONS USING SEMICONDUCTOR PRODUCTS MAY INVOLVE POTENTIAL RISKS OF DEATH, PERSONAL INJURY, OR SEVERE PROPERTY OR ENVIRONMENTAL DAMAGE ("CRITICAL APPLICATIONS"). TI SEMICONDUCTOR PRODUCTS ARE NOT DESIGNED, AUTHORIZED, OR WARRANTED TO BE SUITABLE FOR USE IN LIFE-SUPPORT DEVICES OR SYSTEMS OR OTHER CRITICAL APPLICATIONS. INCLUSION OF TI PRODUCTS IN SUCH APPLICATIONS IS UNDERSTOOD TO BE FULLY AT THE CUSTOMER'S RISK.

In order to minimize risks associated with the customer's applications, adequate design and operating safeguards must be provided by the customer to minimize inherent or procedural hazards.

TI assumes no liability for applications assistance or customer product design. TI does not warrant or represent that any license, either express or implied, is granted under any patent right, copyright, mask work right, or other intellectual property right of TI covering or relating to any combination, machine, or process in which such semiconductor products or services might be or are used. TI's publication of information regarding any third party's products or services does not constitute TI's approval, warranty or endorsement thereof.