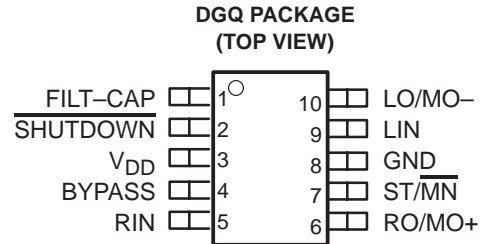


TPA0253 1-W MONO AUDIO POWER AMPLIFIER WITH HEADPHONE DRIVE

SLOS280B – JANUARY 2000 – REVISED MARCH 2000

- Ideal for Notebook Computers, PDAs, and Other Small Portable Audio Devices
- 1 W Into 8-Ω From 5-V Supply
- 0.3 W Into 8-Ω From 3-V Supply
- Stereo Head Phone Drive
- Mono (BTL) Signal Created by Summing Left and Right Signals Internally
- Wide Power Supply Compatibility
2.5 V to 5.5 V
- Low Supply Current
 - 3.2 mA Typical at 5 V
 - 2.7 mA Typical at 3 V
- Shutdown Control . . . 1 μA Typical
- Shutdown Pin is TTL Compatible
- –40°C to 85°C Operating Temperature Range
- Space-Saving, Thermally-Enhanced MSOP Packaging



description

The TPA0253 is a 1-W mono bridge-tied-load (BTL) amplifier designed to drive speakers with as low as 8-Ω impedance. The mono signal is created by summing left and right inputs internally. The amplifier can be reconfigured on-the-fly to drive two stereo single-ended (SE) signals into head phones. This makes the device ideal for use in small notebook computers, PDAs, digital personal audio players, anyplace a mono speaker and stereo head phones are required. From a 5-V supply, the TPA0253 can delivery 1-W of power into a 8-Ω speaker.

The gain of the input stage is set by the user-selected input resistor and a 50-kΩ internal feedback resistor ($A_V = -R_F / R_I$). The power stage is internally configured with a gain of –1.25 V/V in SE mode, and –2.5 V/V in BTL mode. Thus, the overall gain of the amplifier is 62.5 kΩ/ R_I in SE mode and 125 kΩ/ R_I in BTL mode. The input terminals are high-impedance CMOS inputs, and can be used as summing nodes.

The TPA0253 is available in the 10-pin thermally-enhanced MSOP package (DGQ) and operates over an ambient temperature range of –40°C to 85°C.



Please be aware that an important notice concerning availability, standard warranty, and use in critical applications of Texas Instruments semiconductor products and disclaimers thereto appears at the end of this data sheet.

PowerPAD is a trademark of Texas Instruments Incorporated.

PRODUCTION DATA information is current as of publication date. Products conform to specifications per the terms of Texas Instruments standard warranty. Production processing does not necessarily include testing of all parameters.

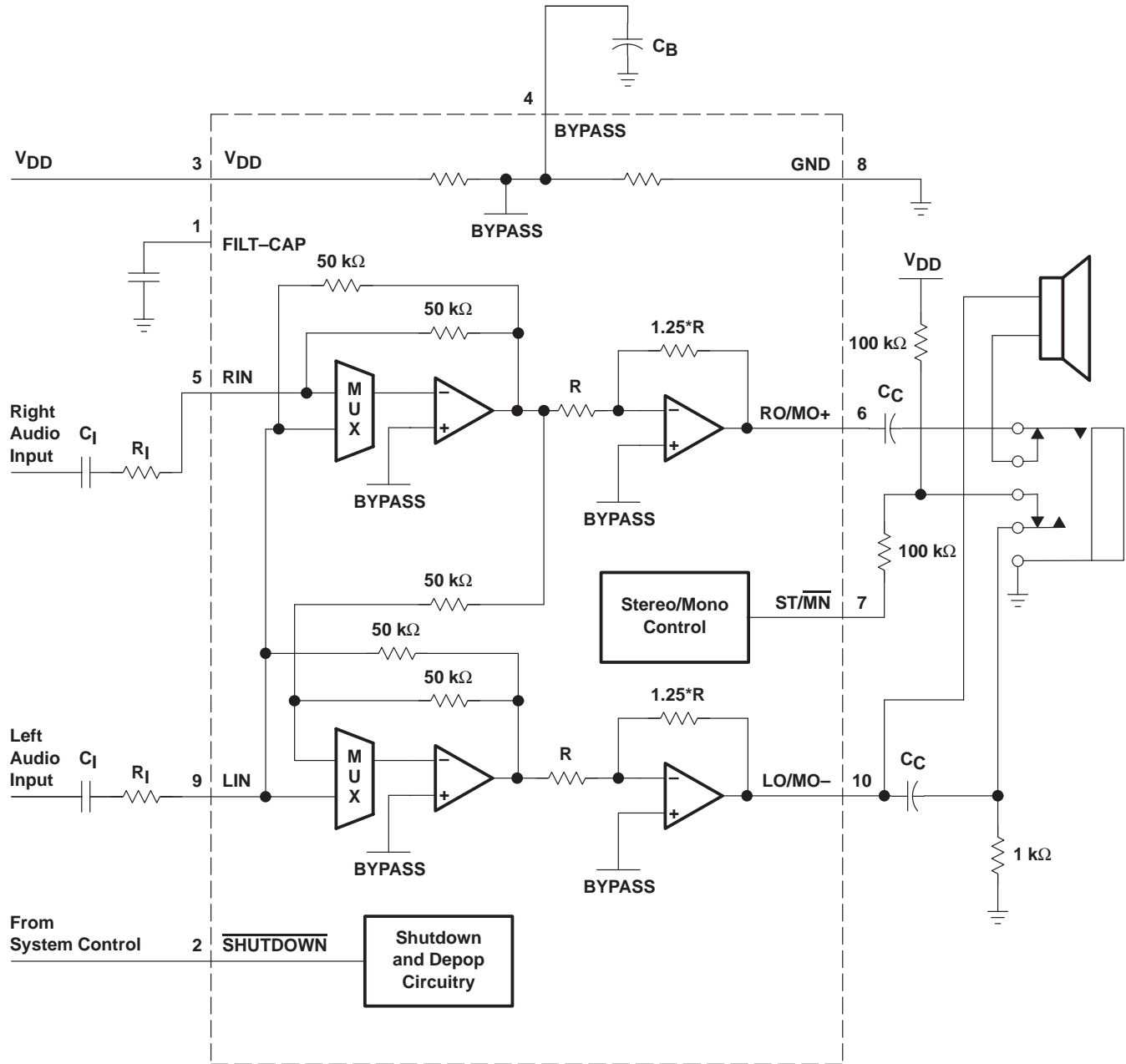
 **TEXAS
INSTRUMENTS**

POST OFFICE BOX 655303 • DALLAS, TEXAS 75265

Copyright © 2000, Texas Instruments Incorporated

TPA0253 1-W MONO AUDIO POWER AMPLIFIER WITH HEADPHONE DRIVE

SLOS280B – JANUARY 2000 – REVISED MARCH 2000



TPA0253
**1-W MONO AUDIO POWER AMPLIFIER
 WITH HEADPHONE DRIVE**

SLOS280B – JANUARY 2000 – REVISED MARCH 2000

AVAILABLE OPTIONS

T_A	PACKAGED DEVICES	
	MSOP† (DGQ)	MSOP SYMBOLIZATION
–40°C to 85°C	TPA0253DGQ	AEL

† The DGQ package are available taped and reeled. To order a taped and reeled part, add the suffix R to the part number (e.g., TPA0253DGQR).

Terminal Functions

TERMINAL NAME	NO.	I/O	DESCRIPTION
FILT–CAP	1		Terminal used to filter power supply
SHUTDOWN	2	I	TTL–compatible shutdown terminal
VDD	3	I	Positive power supply
BYPASS	4	I	Mid–rail bias voltage
RIN	5	I	Right–channel input terminal
RO/MO+	6	O	Right–output in SE mode and mono positive output in BTL mode
ST/MN	7	I	Selects between Stereo and Mono mode. When held high, the amplifier is in SE stereo mode, while held low, the amplifier is in BTL mono mode.
GND	8		Ground terminal
LIN	9	I	Left–channel input terminal
LO/MO–	10	O	Left–output in SE mode and mono negative output in BTL mode.

absolute maximum ratings over operating free-air temperature range (unless otherwise noted)§

Supply voltage, V_{DD}	6 V
Input voltage, V_I	–0.3 V to $V_{DD} + 0.3$ V
Continuous total power dissipation	internally limited (see Dissipation Rating Table)
Operating free-air temperature range, T_A (see Table 3)	–40°C to 85°C
Operating junction temperature range, T_J	–40°C to 150°C
Storage temperature range, T_{stg}	–65°C to 150°C
Lead temperature 1,6 mm (1/16 inch) from case for 10 seconds	260°C

§ Stresses beyond those listed under “absolute maximum ratings” may cause permanent damage to the device. These are stress ratings only, and functional operation of the device at these or any other conditions beyond those indicated under “recommended operating conditions” is not implied. Exposure to absolute-maximum-rated conditions for extended periods may affect device reliability.

DISSIPATION RATING TABLE

PACKAGE	$T_A \leq 25^\circ\text{C}$	DERATING FACTOR	$T_A = 70^\circ\text{C}$	$T_A = 85^\circ\text{C}$
DGQ	2.14 W††	17.1 mW/°C	1.37 W	1.11 W

†† Please see the Texas Instruments document, *PowerPAD Thermally Enhanced Package Application Report* (literature number SLMA002), for more information on the PowerPAD package. The thermal data was measured on a PCB layout based on the information in the section entitled *Texas Instruments Recommended Board for PowerPAD* on page 33 of the before mentioned document.



TPA0253
1-W MONO AUDIO POWER AMPLIFIER
WITH HEADPHONE DRIVE

SLOS280B – JANUARY 2000 – REVISED MARCH 2000

recommended operating conditions

			MIN	MAX	UNIT
Supply voltage, V_{DD}			2.5	5.5	V
High-level input voltage, V_{IH}	ST/MN	$V_{DD} = 3\text{ V}$	2.7		V
		$V_{DD} = 5\text{ V}$	4.5		
	SHUTDOWN		2		
Low-level input voltage, V_{IL}	ST/MN	$V_{DD} = 3\text{ V}$		1.65	V
		$V_{DD} = 5\text{ V}$		2.75	
	SHUTDOWN			0.8	
Operating free-air temperature, T_A			-40	85	°C

electrical characteristics at specified free-air temperature, $V_{DD} = 3\text{ V}$, $T_A = 25^\circ\text{C}$ (unless otherwise noted)

PARAMETER		TEST CONDITIONS	MIN	TYP	MAX	UNIT
$ V_{OO} $	Output offset voltage (measured differentially)	$V_{IO} = 0.1\%$, Gain = 8 dB			30	mV
PSRR	Power supply rejection ratio	$V_{DD} = 2.9\text{ V}$ to 3.1 V , BTL mode		65		dB
$ I_{IH} $	High-level input current	$V_{DD} = 3.3\text{ V}$, $V_I = V_{DD}$			1	μA
$ I_{IL} $	Low-level input current	$V_{DD} = 3.3\text{ V}$, $V_I = 0$			1	μA
Z_I	Input impedance			50		k Ω
I_{DD}	Supply current			2.7	4	mA
$I_{DD(SD)}$	Supply current, shutdown mode			1	10	μA

operating characteristics, $V_{DD} = 3\text{ V}$, $T_A = 25^\circ\text{C}$, $R_L = 4\ \Omega$, $f = 1\text{ kHz}$ (unless otherwise noted)

PARAMETER		TEST CONDITIONS	MIN	TYP	MAX	UNIT
P_O	Output power, see Note 1	THD = 0.1%, BTL mode, Gain = 14 dB		300		mW
		THD = 0.1% SE mode, $R_L = 32\ \Omega$ Gain = 1.9 dB		30		
THD + N	Total harmonic distortion plus noise	$P_O = 250\text{ mW}$, $f = 20\text{ Hz}$ to 20 kHz		0.2%		
BOM	Maximum output power bandwidth	Gain = 1.9 dB, THD = 2%		20		kHz
	Supply ripple rejection ratio	$f = 1\text{ kHz}$, $CB = 0.47\ \mu\text{F}$	BTL mode	46		dB
			SE mode	68		
V_n	Noise output voltage	$CB = 0.47\ \mu\text{F}$, $f = 20\text{ Hz}$ to 20 kHz	BTL mode	83		μV_{RMS}
			SE mode	33		

NOTE 1: Output power is measured at the output terminals of the device at $f = 1\text{ kHz}$.



TPA0253
**1-W MONO AUDIO POWER AMPLIFIER
 WITH HEADPHONE DRIVE**

SLOS280B – JANUARY 2000 – REVISED MARCH 2000

electrical characteristics at specified free-air temperature, $V_{DD} = 5\text{ V}$, $T_A = 25^\circ\text{C}$ (unless otherwise noted)

PARAMETER		TEST CONDITIONS	MIN	TYP	MAX	UNIT
$ V_{OO} $	Output offset voltage (measured differentially)	$V_{IO} = 0$, Gain = 8 dB			30	mV
PSRR	Power supply rejection ratio	$V_{DD} = 4.9\text{ V to } 5.1\text{ V}$, BTL mode		62		dB
$ I_{IH} $	High-level input current	$V_{DD} = 5.5\text{ V}$, $V_I = V_{DD}$			1	μA
$ I_{IL} $	Low-level input current	$V_{DD} = 5.5\text{ V}$, $V_I = 0$			1	μA
Z_I	Input impedance			50		$\text{k}\Omega$
I_{DD}	Supply current			3.2	4.8	mA
$I_{DD(SD)}$	Supply current, shutdown mode			1	10	μA

operating characteristics, $V_{DD} = 5\text{ V}$, $T_A = 25^\circ\text{C}$, $R_L = 4\ \Omega$, $f = 1\text{ kHz}$ (unless otherwise noted)

PARAMETER		TEST CONDITIONS	MIN	TYP	MAX	UNIT
P_O	Output power, see Note 1	THD = 0.1%, BTL mode		1		W
		THD = 0.1%, SE mode, $R_L = 32\ \Omega$		85		mW
THD + N	Total harmonic distortion plus noise	$P_O = 1\text{ W}$, $f = 20\text{ Hz to } 20\text{ kHz}$		0.33%		
B_{OM}	Maximum output power bandwidth	Gain = 8 dB, THD = 2%		20		kHz
	Supply ripple rejection ratio	$f = 1\text{ kHz}$, $CB = 0.47\ \mu\text{F}$	BTL mode	46		dB
			SE mode	60		
V_n	Noise output voltage	$CB = 0.47\ \mu\text{F}$, $f = 20\text{ Hz to } 20\text{ kHz}$	BTL mode	85		μV_{RMS}
			SE mode	34		

NOTE 1: Output power is measured at the output terminals of the device at $f = 1\text{ kHz}$.

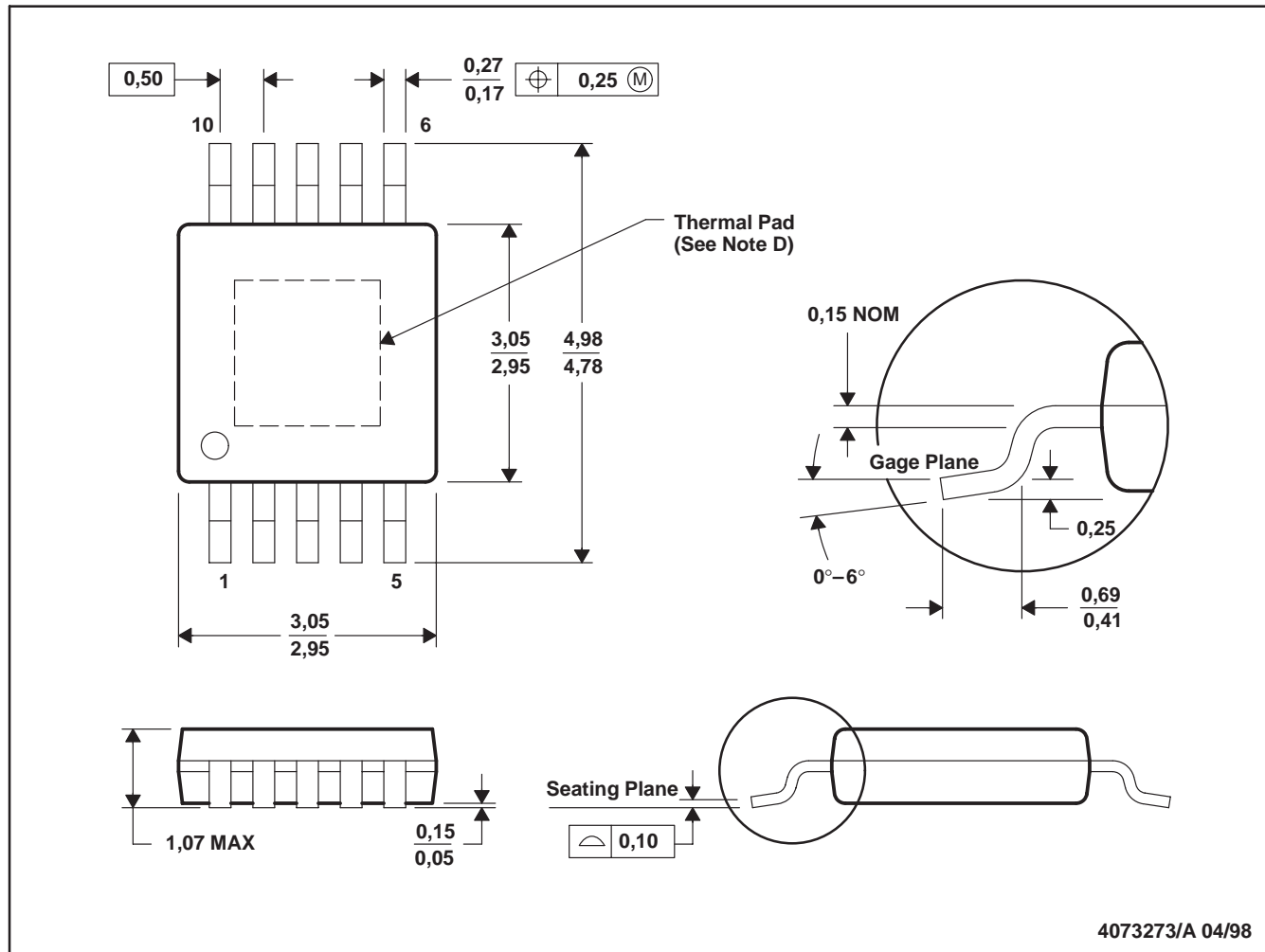
TPA0253
1-W MONO AUDIO POWER AMPLIFIER
WITH HEADPHONE DRIVE

SLOS280B – JANUARY 2000 – REVISED MARCH 2000

MECHANICAL DATA

DGQ (S-PDSO-G10)

PowerPAD™ PLASTIC SMALL-OUTLINE PACKAGE



4073273/A 04/98

- NOTES: A. All linear dimensions are in millimeters.
 B. This drawing is subject to change without notice.
 C. Body dimensions do not include mold flash or protrusion.
 D. The package thermal performance may be enhanced by bonding the thermal pad to an external thermal plane.
 This pad is electrically and thermally connected to the backside of the die and possibly selected leads. The dimension of the thermal pad is 1.40 mm (height as illustrated) × 1.80 mm (width as illustrated) mm (maximum). The pad is centered on the bottom of the package.

PowerPAD is a trademark of Texas Instruments Incorporated.



POST OFFICE BOX 655303 • DALLAS, TEXAS 75265

IMPORTANT NOTICE

Texas Instruments and its subsidiaries (TI) reserve the right to make changes to their products or to discontinue any product or service without notice, and advise customers to obtain the latest version of relevant information to verify, before placing orders, that information being relied on is current and complete. All products are sold subject to the terms and conditions of sale supplied at the time of order acknowledgement, including those pertaining to warranty, patent infringement, and limitation of liability.

TI warrants performance of its semiconductor products to the specifications applicable at the time of sale in accordance with TI's standard warranty. Testing and other quality control techniques are utilized to the extent TI deems necessary to support this warranty. Specific testing of all parameters of each device is not necessarily performed, except those mandated by government requirements.

CERTAIN APPLICATIONS USING SEMICONDUCTOR PRODUCTS MAY INVOLVE POTENTIAL RISKS OF DEATH, PERSONAL INJURY, OR SEVERE PROPERTY OR ENVIRONMENTAL DAMAGE ("CRITICAL APPLICATIONS"). TI SEMICONDUCTOR PRODUCTS ARE NOT DESIGNED, AUTHORIZED, OR WARRANTED TO BE SUITABLE FOR USE IN LIFE-SUPPORT DEVICES OR SYSTEMS OR OTHER CRITICAL APPLICATIONS. INCLUSION OF TI PRODUCTS IN SUCH APPLICATIONS IS UNDERSTOOD TO BE FULLY AT THE CUSTOMER'S RISK.

In order to minimize risks associated with the customer's applications, adequate design and operating safeguards must be provided by the customer to minimize inherent or procedural hazards.

TI assumes no liability for applications assistance or customer product design. TI does not warrant or represent that any license, either express or implied, is granted under any patent right, copyright, mask work right, or other intellectual property right of TI covering or relating to any combination, machine, or process in which such semiconductor products or services might be or are used. TI's publication of information regarding any third party's products or services does not constitute TI's approval, warranty or endorsement thereof.