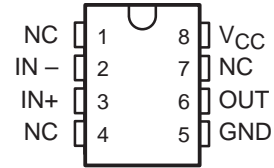


TL714C HIGH-SPEED DIFFERENTIAL COMPARATOR

SLCS015 – DECEMBER 1988 – REVISED JUNE 1989

- Operates From a 5-V Supply
- Self-Biasing Inputs
- Hysteresis . . . 10 mV Typ
- Response Time . . . 6 ns Typ
- Maximum Operating Frequency
50 MHz Typ

D OR P PACKAGE
(TOP VIEW)



NC — No internal connection

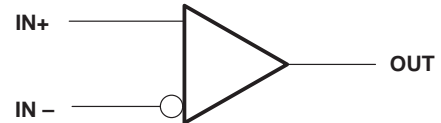
description

The TL714C is a high-speed differential comparator fabricated with bipolar Schottky process technology. The circuit has differential inputs and a TTL-compatible logic output with symmetrical switching characteristics.

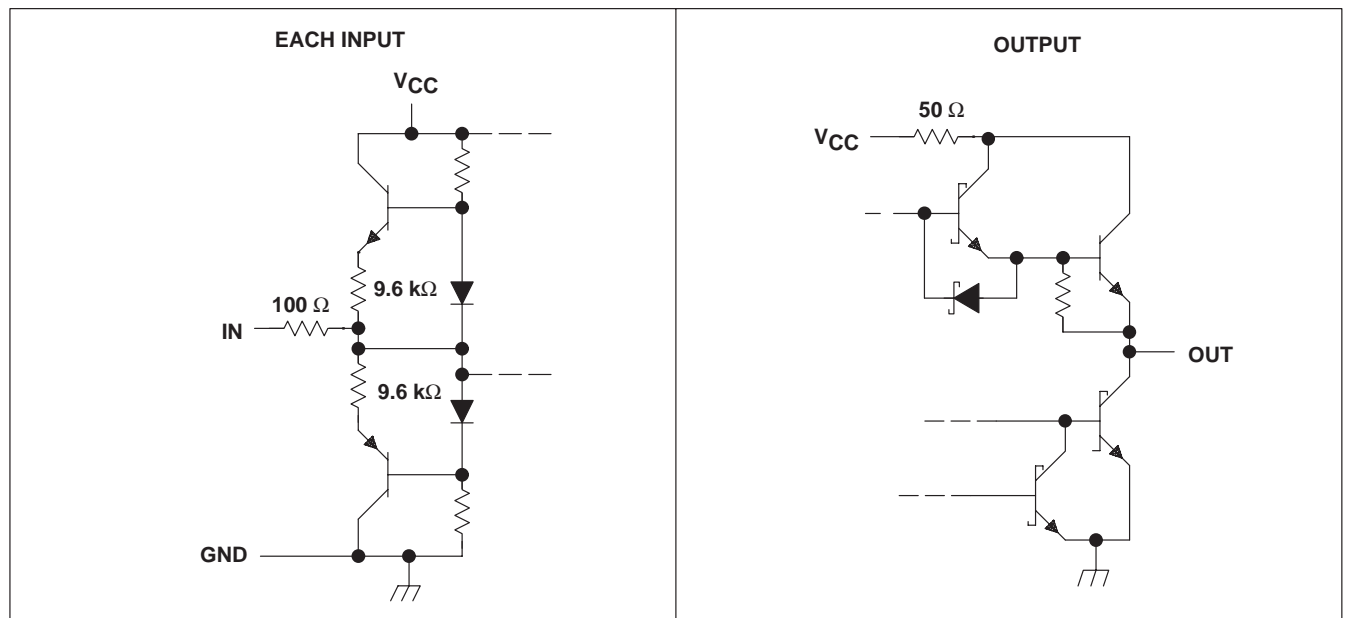
The device operates from a single 5-V supply and is useful as a disk-memory read-chain data comparator.

The TL714C is characterized for operation from 0°C to 70°C.

symbol



schematic of inputs and outputs



All resistor values shown are nominal.

PRODUCTION DATA information is current as of publication date. Products conform to specifications per the terms of Texas Instruments standard warranty. Production processing does not necessarily include testing of all parameters.

 **TEXAS
INSTRUMENTS**

POST OFFICE BOX 655303 • DALLAS, TEXAS 75265

Copyright © 1989, Texas Instruments Incorporated

TL714C HIGH-SPEED DIFFERENTIAL COMPARATOR

SLCS015 – DECEMBER 1988 – REVISED JUNE 1989

absolute maximum ratings over operating free-air temperature range (unless otherwise noted)†

Supply voltage, V_{CC} (see Note 1)	7 V
Differential input voltage, V_{ID} (see Note 2)	± 5 V
Input voltage range, V_I	V_{CC} to GND
Low-level output current, I_{OL}	40 mA
Continuous total power dissipation	See Dissipation Rating Table
Operating free-air temperature range, T_A	0°C to 70°C
Storage temperature range	-65°C to 150°C
Lead temperature 1,6 mm (1/16 inch) from case for 10 seconds	260°C

† Stresses beyond those listed under absolute maximum ratings may cause permanent damage to the device. These are stress ratings only, and functional operation of the device at these or any other conditions beyond those indicated in the recommended operating conditions section of this specification is not implied. Exposure to absolute-maximum-rated conditions for extended periods may affect device reliability.

- NOTES: 1. All voltage values, except differential voltage, are with respect to the network ground.
2. Differential voltage values are at IN+ with respect to IN-.

DISSIPATION RATING TABLE

PACKAGE	$T_A \leq 25^\circ\text{C}$ POWER RATING	DERATING FACTOR	DERATE ABOVE T_A	$T_A = 75^\circ\text{C}$ POWER RATING
D	500 mW	5.8 mW/°C	64°C	464 mW
P	500 mW	N/A	N/A	500 mW

recommended operating conditions

	MIN	MAX	UNIT
Supply voltage, V_{CC}	4.75	5.25	V
Common-mode input voltage, V_{IC}	1.4 to $V_{CC} - 1.4$		V
High-level output current, I_{OH}		-1	mA
Low-level output current, I_{OL}		16	mA
Operating free-air temperature, T_A	0	70	°C

electrical characteristics over free-air operating temperature range, $V_{CC} = 5$ V (unless otherwise noted)

PARAMETER	TEST CONDITIONS	MIN	TYP‡	MAX	UNIT
V_T Threshold voltage ($V_{T+} - V_{T-}$)	$V_{IC} = 1.4$ V to 3.6 V	-75§		75	mV
V_{hys} Hysteresis ($V_{T+} - V_{T-}$)		2	10	30	mV
V_{OH} High-level output voltage	$V_{ID} = 100$ mV, $I_{OH} = -1$ mA	2.7	3.4		V
V_{OL} Low-level output voltage	$V_{ID} = -100$ mV, $I_{OL} = 16$ mA		0.4	0.5	V
I_{OS} Short-circuit output current		-30		-110	mA
r_i Differential input resistance		2.9			k Ω
I_{CC} Supply current	$V_{ID} = -100$ mV, $I_O = 0$		7	12	mA

‡ All typical values are at $T_A = 25^\circ\text{C}$.

§ The algebraic convention, where the more negative limit is designated as minimum, is used in this data sheet for input threshold voltage levels only.



switching characteristics, $V_{CC} = 5\text{ V}$, $T_A = 25^\circ\text{C}$

PARAMETER	TEST CONDITIONS	MIN	TYP†	MAX	UNIT
f_{max} Maximum operating frequency	$V_{\text{ID}} = \pm 250\text{ mV}$, $C_L = 25\text{ pF}$, $t_r = t_f = 4\text{ ns}$, Input duty cycle = 50%		50		MHz
t_{PLH} Propagation delay time, low-to-high-level output	$V_{\text{ID}} = \pm 100\text{ mV}$, $C_L = 25\text{ pF}$, See Figures 1 and 2		6	12	ns
t_{PHL} Propagation delay time, high-to-low-level output	See Figures 1 and 2		6	12	ns
t_r Rise time	$V_{\text{ID}} = \pm 100\text{ mV}$, $C_L = 25\text{ pF}$, See Figure 3		4	8	ns
t_f Fall time	See Figure 3		4	8	ns

† All typical values are at $T_A = 25^\circ\text{C}$.

PARAMETER MEASUREMENT INFORMATION

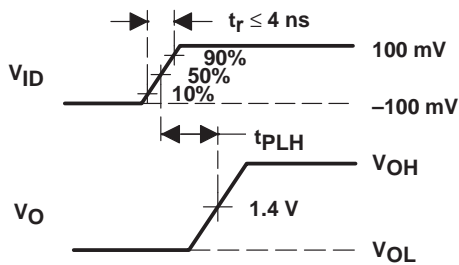


Figure 1. Propagation Delay Time, Low to High (t_{PLH})

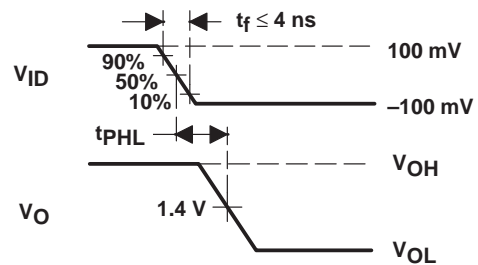


Figure 2. Propagation Delay Time, High to Low (t_{PHL})

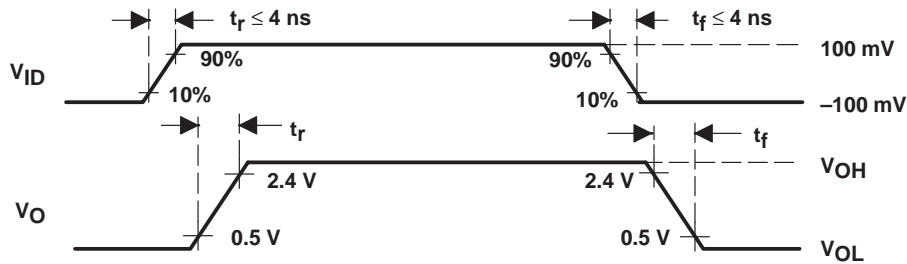


Figure 3. Rise and Fall Times (t_r , t_f)

IMPORTANT NOTICE

Texas Instruments and its subsidiaries (TI) reserve the right to make changes to their products or to discontinue any product or service without notice, and advise customers to obtain the latest version of relevant information to verify, before placing orders, that information being relied on is current and complete. All products are sold subject to the terms and conditions of sale supplied at the time of order acknowledgement, including those pertaining to warranty, patent infringement, and limitation of liability.

TI warrants performance of its semiconductor products to the specifications applicable at the time of sale in accordance with TI's standard warranty. Testing and other quality control techniques are utilized to the extent TI deems necessary to support this warranty. Specific testing of all parameters of each device is not necessarily performed, except those mandated by government requirements.

CERTAIN APPLICATIONS USING SEMICONDUCTOR PRODUCTS MAY INVOLVE POTENTIAL RISKS OF DEATH, PERSONAL INJURY, OR SEVERE PROPERTY OR ENVIRONMENTAL DAMAGE ("CRITICAL APPLICATIONS"). TI SEMICONDUCTOR PRODUCTS ARE NOT DESIGNED, AUTHORIZED, OR WARRANTED TO BE SUITABLE FOR USE IN LIFE-SUPPORT DEVICES OR SYSTEMS OR OTHER CRITICAL APPLICATIONS. INCLUSION OF TI PRODUCTS IN SUCH APPLICATIONS IS UNDERSTOOD TO BE FULLY AT THE CUSTOMER'S RISK.

In order to minimize risks associated with the customer's applications, adequate design and operating safeguards must be provided by the customer to minimize inherent or procedural hazards.

TI assumes no liability for applications assistance or customer product design. TI does not warrant or represent that any license, either express or implied, is granted under any patent right, copyright, mask work right, or other intellectual property right of TI covering or relating to any combination, machine, or process in which such semiconductor products or services might be or are used. TI's publication of information regarding any third party's products or services does not constitute TI's approval, warranty or endorsement thereof.