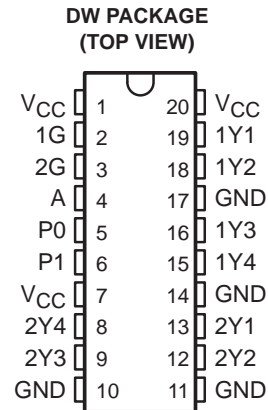


# CDC340 1-LINE TO 8-LINE CLOCK DRIVER

SCAS332B – DECEMBER 1992 – REVISED MAY 1997

- Low Output Skew, Low Pulse Skew for Clock-Distribution and Clock-Generation Applications
- TTL-Compatible Inputs and Outputs
- Distributes One Clock Input to Eight Outputs
- Distributed  $V_{CC}$  and Ground Pins Reduce Switching Noise
- High-Drive Outputs ( $-48\text{-mA } I_{OH}$ ,  $48\text{-mA } I_{OL}$ )
- State-of-the-Art EPIC-II B™ BiCMOS Design Significantly Reduces Power Dissipation
- Package Options Include Plastic Small-Outline (DW) and Shrink



## description

The CDC340 is a high-performance clock-driver circuit that distributes one (A) input signal to eight (Y) outputs with minimum skew for clock distribution. Through the use of the control pins (1G and 2G), the outputs can be placed in a high state regardless of the A input.

The propagation delays are adjusted at the factory using the P0 and P1 pins. These pins are not intended for customer use and should be strapped to GND.

The CDC340 is characterized for operation from 0°C to 70°C.

**FUNCTION TABLE**

INPUTS			OUTPUTS	
1G	2G	A	1Y1–1Y4	2Y1–2Y4
X	X	L	H	H
L	L	H	H	H
L	H	H	H	L
H	L	H	L	H
H	H	H	L	L



Please be aware that an important notice concerning availability, standard warranty, and use in critical applications of Texas Instruments semiconductor products and disclaimers thereto appears at the end of this data sheet.

EPIC-II B is a trademark of Texas Instruments Incorporated.

PRODUCTION DATA information is current as of publication date. Products conform to specifications per the terms of Texas Instruments standard warranty. Production processing does not necessarily include testing of all parameters.

**TEXAS  
INSTRUMENTS**

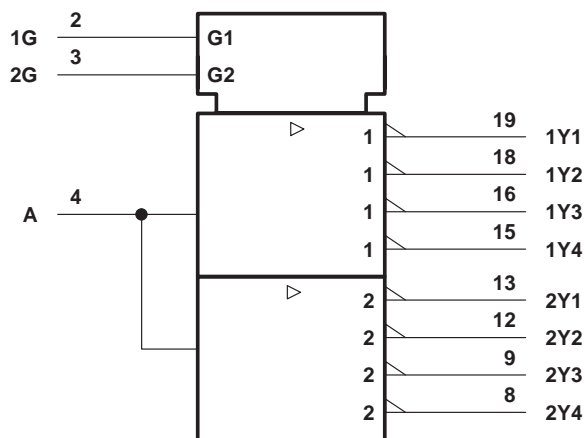
POST OFFICE BOX 655303 • DALLAS, TEXAS 75265

Copyright © 1997, Texas Instruments Incorporated

# CDC340 1-LINE TO 8-LINE CLOCK DRIVER

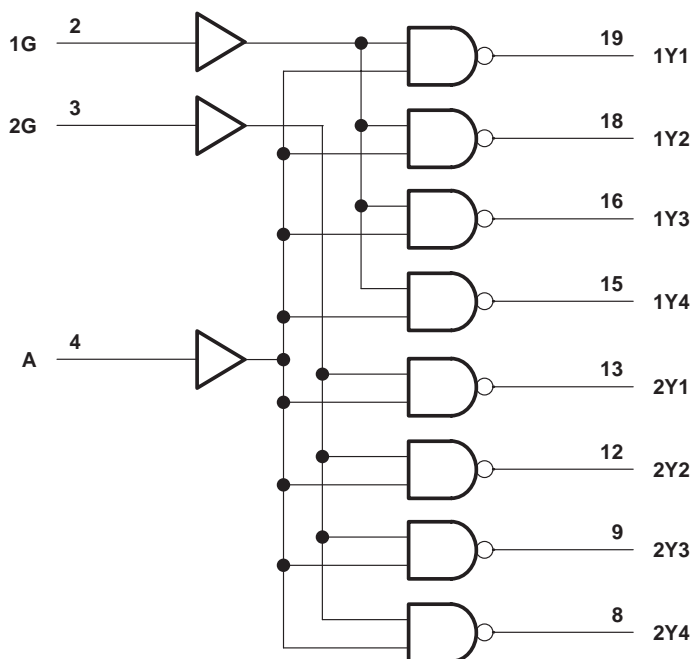
SCAS332B – DECEMBER 1992 – REVISED MAY 1997

## logic symbol†



† This symbol is in accordance with ANSI/IEEE Std 91-1984 and IEC Publication 617-12.

## logic diagram (positive logic)



# CDC340 1-LINE TO 8-LINE CLOCK DRIVER

SCAS332B – DECEMBER 1992 – REVISED MAY 1997

## absolute maximum ratings over operating free-air temperature range (unless otherwise noted)<sup>†</sup>

Supply voltage range, $V_{CC}$ .....	-0.5 V to 7 V
Input voltage range, $V_I$ (see Note 1) .....	-0.5 V to 7 V
Voltage range applied to any output in the high state or power-off state, $V_O$ (see Note 1) .....	-0.5 V to $V_{CC} + 0.5$ V
Current into any output in the low state, $I_O$ .....	96 mA
Input clamp current, $I_{IK}$ ( $V_I < 0$ ) .....	-18 mA
Maximum power dissipation at $T_A = 55^\circ\text{C}$ (in still air) (see Note 2): DW package .....	1.6 W
Storage temperature range, $T_{stg}$ .....	$-65^\circ\text{C}$ to $150^\circ\text{C}$

<sup>†</sup> Stresses beyond those listed under "absolute maximum ratings" may cause permanent damage to the device. These are stress ratings only and functional operation of the device at these or any other conditions beyond those indicated under "recommended operating conditions" is not implied. Exposure to absolute-maximum-rated conditions for extended periods may affect device reliability.

- NOTES: 1. The input and output negative-voltage ratings may be exceeded if the input and output clamp-current ratings are observed.  
 2. The maximum package power dissipation is calculated using a junction temperature of  $150^\circ\text{C}$  and a board trace length of 750 mils. For more information, refer to the *Package Thermal Considerations* Application Note in the *ABT Advanced BiCMOS Technology Data Book*, literature number SCBD002.

## recommended operating conditions (see Note 3)

		MIN	MAX	UNIT
$V_{CC}$	Supply voltage	4.75	5.25	V
$V_{IH}$	High-level input voltage	2		V
$V_{IL}$	Low-level input voltage		0.8	V
$V_I$	Input voltage	0	$V_{CC}$	V
$I_{OH}$	High-level output current		-48	mA
$I_{OL}$	Low-level output current		48	mA
$f_{clock}$	Input clock frequency	One output back loaded		MHz
		Both output banks loaded		
$T_A$	Operating free-air temperature	0	70	$^\circ\text{C}$

NOTE 3: Unused inputs must be held high or low to prevent them from floating.

## electrical characteristics over recommended operating free-air temperature range (unless otherwise noted)

PARAMETER	TEST CONDITIONS	$T_A = 25^\circ\text{C}$			MIN	MAX	UNIT
		MIN	TYP <sup>‡</sup>	MAX			
$V_{IK}$	$V_{CC} = 4.75$ V, $I_I = -18$ mA			-1.2	-1.2	V	
$V_{OH}$	$V_{CC} = 4.75$ V, $I_{OH} = -3$ mA	2.5			2.5	V	
	$V_{CC} = 5$ V, $I_{OH} = -3$ mA	3			3		
	$V_{CC} = 4.75$ V, $I_{OH} = -48$ mA	2			2		
$V_{OL}$	$V_{CC} = 4.75$ V, $I_{OL} = 48$ mA				0.5	V	
$I_I$	$V_{CC} = 5.25$ V, $V_I = V_{CC}$ or GND			$\pm 1$	$\pm 1$	$\mu\text{A}$	
$I_{O\text{§}}$	$V_{CC} = 5.25$ V, $V_O = 2.5$ V	-50	-100	-200	-50	-200	mA
$I_{CC}$	$V_{CC} = 5.25$ V, $V_I = V_{CC}$ or GND, $I_O = 0$ ,	Outputs high		2	3.5		mA
		Outputs low		24	33		
$C_i$	$V_I = 2.5$ V or 0.5 V	3					pF

<sup>‡</sup> All typical values are at  $V_{CC} = 5$  V.

<sup>§</sup> No more than one output should be tested at a time, and the duration of the test should not exceed one second.



# CDC340

## 1-LINE TO 8-LINE CLOCK DRIVER

SCAS332B – DECEMBER 1992 – REVISED MAY 1997

### switching characteristics, $C_L = 50$ pF (see Figure 1 and Figure 2)

PARAMETER		FROM (INPUT)	TO (OUTPUT)	$V_{CC} = 5$ V, $T_A = 25^\circ$ C			$V_{CC} = 4.75$ V to $5.25$ V, $T_A = 0^\circ$ C to $70^\circ$ C		UNIT
				MIN	TYP	MAX	MIN	MAX	
$t_{PLH}$	Propagation delay time, low-to-high level	A	Y	3.4		4.5	3	4.8	ns
$t_{PHL}$	Propagation delay time, high-to-low level			3.2		4.3	2.8	4.7	
$t_{PLH}$	Propagation delay time, low-to-high level	G	Y	2		3.8	2	4	ns
$t_{PHL}$	Propagation delay time, high-to-low level			2		3.8	2	4	
$t_{sk(o)}$	Skew time, output	A	Y		0.3	0.5		0.6	ns
$t_{sk(p)}$	Skew time, pulse				0.6	0.8		0.9	
$t_{sk(pr)}$	Skew time, process					1.1		1.1	
$t_r$	Rise time	A	Y				1.5	ns	
$t_f$	Fall time	A	Y				1.5	ns	

### $t_{pd}$ performance information relative to $V_{CC}$ and temperature variation (see Note 4)

PARAMETER	$\Delta$ change
$\Delta t_{PLH}(T_A)^\dagger$ Temperature drift of $t_{PLH}$ from $0^\circ$ C to $70^\circ$ C	-53 ps/ $10^\circ$ C
$\Delta t_{PHL}(T_A)^\dagger$ Temperature drift of $t_{PHL}$ from $0^\circ$ C to $70^\circ$ C	-58 ps/ $10^\circ$ C
$\Delta t_{PLH}(V_{CC})^\ddagger$ $V_{CC}$ drift of $t_{PLH}$ from 4.75 V to 5.25 V	43 ps/100 mV
$\Delta t_{PHL}(V_{CC})^\ddagger$ $V_{CC}$ drift of $t_{PHL}$ from 4.75 V to 5.25 V	-33 ps/100 mV

$^\dagger$  Virtually independent of  $V_{CC}$

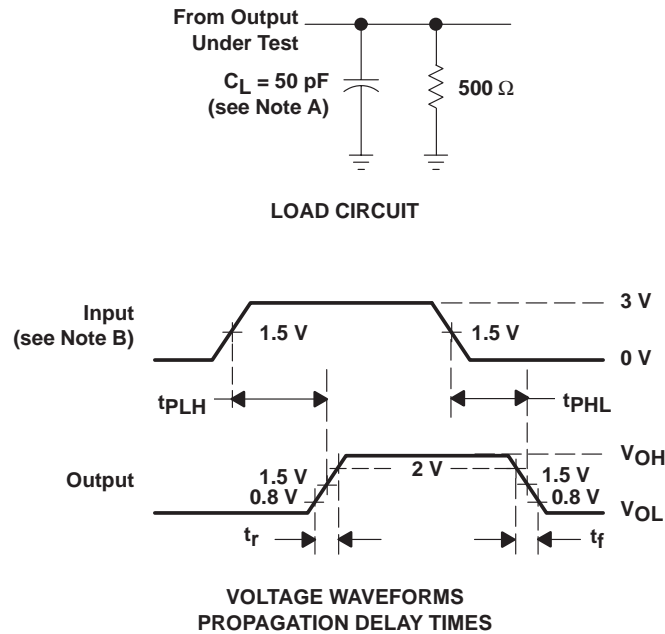
$^\ddagger$  Virtually independent of temperature

NOTE 4: The data extracted is from a wide range of characterization material.



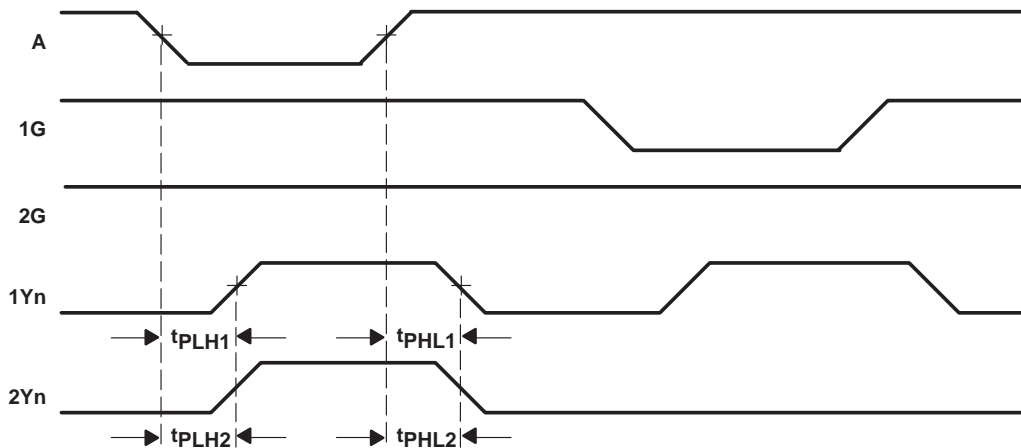
POST OFFICE BOX 655303 • DALLAS, TEXAS 75265

PARAMETER MEASUREMENT INFORMATION



- NOTES: A.  $C_L$  includes probe and jig capacitance.  
B. All input pulses are supplied by generators having the following characteristics:  $PRR \leq 10$  MHz,  $Z_O = 50 \Omega$ ,  $t_r \leq 2.5$  ns,  $t_f \leq 2.5$  ns.

Figure 1. Load Circuit and Voltage Waveforms



- NOTES: A. Output skew,  $t_{sk(o)}$ , is calculated as the greater of:  
– The difference between the fastest and slowest of  $t_{PLHn}$  ( $n = 1, 2$ )  
– The difference between the fastest and slowest of  $t_{PHLn}$  ( $n = 1, 2$ )  
B. Pulse skew,  $t_{sk(p)}$ , is calculated as the greater of  $|t_{PLHn} - t_{PHLn}|$  ( $n = 1, 2$ ).  
C. Process skew,  $t_{sk(pr)}$ , is calculated as the greater of:  
– The difference between the fastest and slowest of  $t_{PLHn}$  ( $n = 1, 2$ ) across multiple devices under identical operating conditions  
– The difference between the fastest and slowest of  $t_{PHLn}$  ( $n = 1, 2$ ) across multiple devices under identical operating conditions

Figure 2. Waveforms for Calculation of  $t_{sk(o)}$ ,  $t_{sk(p)}$ ,  $t_{sk(pr)}$

# CDC340 1-LINE TO 8-LINE CLOCK DRIVER

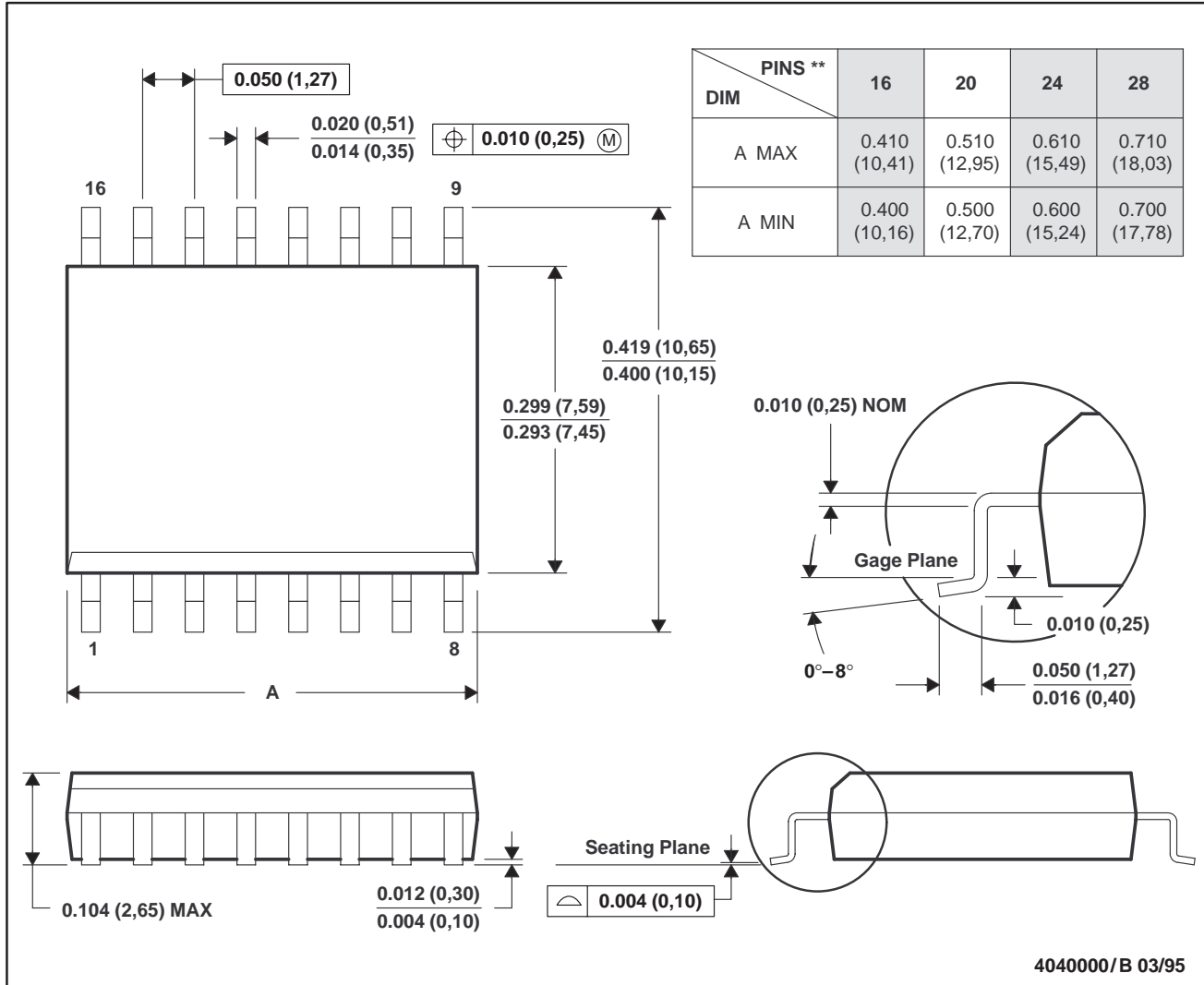
SCAS332B – DECEMBER 1992 – REVISED MAY 1997

## MECHANICAL INFORMATION

DW (R-PDSO-G\*\*)

PLASTIC SMALL-OUTLINE PACKAGE

16 PIN SHOWN



- NOTES:
- A. All linear dimensions are in inches (millimeters).
  - B. This drawing is subject to change without notice.
  - C. Body dimensions do not include mold flash or protrusion not to exceed 0.006 (0,15).
  - D. Falls within JEDEC MS-013

## **IMPORTANT NOTICE**

Texas Instruments and its subsidiaries (TI) reserve the right to make changes to their products or to discontinue any product or service without notice, and advise customers to obtain the latest version of relevant information to verify, before placing orders, that information being relied on is current and complete. All products are sold subject to the terms and conditions of sale supplied at the time of order acknowledgement, including those pertaining to warranty, patent infringement, and limitation of liability.

TI warrants performance of its semiconductor products to the specifications applicable at the time of sale in accordance with TI's standard warranty. Testing and other quality control techniques are utilized to the extent TI deems necessary to support this warranty. Specific testing of all parameters of each device is not necessarily performed, except those mandated by government requirements.

CERTAIN APPLICATIONS USING SEMICONDUCTOR PRODUCTS MAY INVOLVE POTENTIAL RISKS OF DEATH, PERSONAL INJURY, OR SEVERE PROPERTY OR ENVIRONMENTAL DAMAGE ("CRITICAL APPLICATIONS"). TI SEMICONDUCTOR PRODUCTS ARE NOT DESIGNED, AUTHORIZED, OR WARRANTED TO BE SUITABLE FOR USE IN LIFE-SUPPORT DEVICES OR SYSTEMS OR OTHER CRITICAL APPLICATIONS. INCLUSION OF TI PRODUCTS IN SUCH APPLICATIONS IS UNDERSTOOD TO BE FULLY AT THE CUSTOMER'S RISK.

In order to minimize risks associated with the customer's applications, adequate design and operating safeguards must be provided by the customer to minimize inherent or procedural hazards.

TI assumes no liability for applications assistance or customer product design. TI does not warrant or represent that any license, either express or implied, is granted under any patent right, copyright, mask work right, or other intellectual property right of TI covering or relating to any combination, machine, or process in which such semiconductor products or services might be or are used. TI's publication of information regarding any third party's products or services does not constitute TI's approval, warranty or endorsement thereof.