

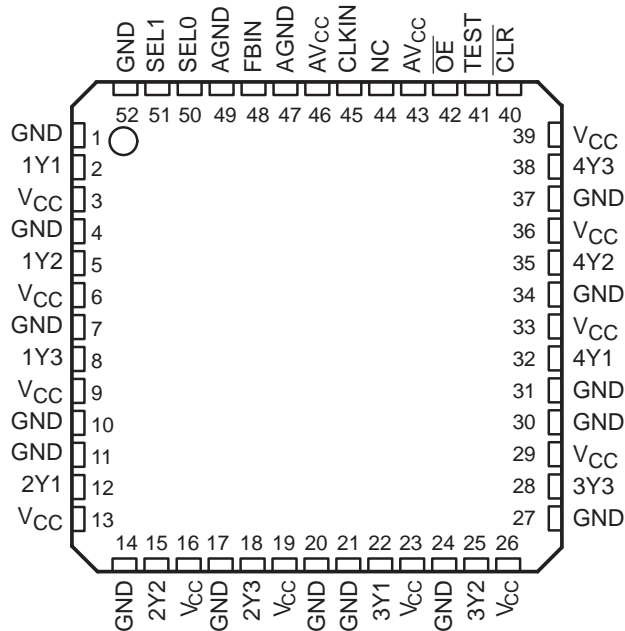
# CDC2586

## 3.3-V PHASE-LOCK LOOP CLOCK DRIVER WITH 3-STATE OUTPUTS

SCAS337C – FEBRUARY 1993 – REVISED OCTOBER 1998

- Low Output Skew for Clock-Distribution and Clock-Generation Applications
- Operates at 3.3-V  $V_{CC}$
- Distributes One Clock Input to Twelve Outputs
- Two Select Inputs Configure Up to Nine Outputs to Operate at One-Half or Double the Input Frequency
- No External RC Network Required
- External Feedback (FBIN) Synchronizes the Outputs to the Clock Input
- Application for Synchronous DRAM, High-Speed Microprocessor
- TTL-Compatible Inputs and Outputs
- Outputs Have Internal 26- $\Omega$  Series Resistors to Dampen Transmission-Line Effects
- State-of-the-Art *EPIC-II B*<sup>™</sup> BiCMOS Design Significantly Reduces Power Dissipation
- Distributed  $V_{CC}$  and Ground Pins Reduce Switching Noise
- Packaged in 52-Pin Thin Quad Flat Package

PAH PACKAGE  
(TOP VIEW)



NC – No internal connection

### description

The CDC2586 is a high-performance, low-skew, low-jitter clock driver. It uses a phase-lock loop (PLL) to precisely align, in both frequency and phase, the clock output signals to the clock input (CLKIN) signal. It is specifically designed for use with popular microprocessors operating at speeds from 50 MHz to 100 MHz or down to 25 MHz on outputs configured for half-frequency operation. Each output has an internal 26- $\Omega$  series resistor that improves the signal integrity at the load. The CDC2586 operates at nominal 3.3-V  $V_{CC}$ .

The feedback input (FBIN) synchronizes the output clocks in frequency and phase to CLKIN. One of the twelve output clocks must be fed back to FBIN for the PLL to maintain synchronization between CLKIN and the outputs. The output used as feedback is synchronized to the same frequency as CLKIN.



Please be aware that an important notice concerning availability, standard warranty, and use in critical applications of Texas Instruments semiconductor products and disclaimers thereto appears at the end of this data sheet.

EPIC-II B is a trademark of Texas Instruments Incorporated.

PRODUCTION DATA information is current as of publication date. Products conform to specifications per the terms of Texas Instruments standard warranty. Production processing does not necessarily include testing of all parameters.

**TEXAS  
INSTRUMENTS**

POST OFFICE BOX 655303 • DALLAS, TEXAS 75265

Copyright © 1998, Texas Instruments Incorporated

## CDC2586

### 3.3-V PHASE-LOCK LOOP CLOCK DRIVER WITH 3-STATE OUTPUTS

SCAS337C – FEBRUARY 1993 – REVISED OCTOBER 1998

---

#### description (continued)

The Y outputs can be configured to switch in phase and at the same frequency as CLKIN. Select inputs (SEL1, SEL0) configure up to nine Y outputs, in banks of three, to operate at one-half or double the CLKIN frequency depending on which output is fed back to FBIN (see Tables 1 and 2). All output signal duty cycles are adjusted to 50% independent of the duty cycle at CLKIN.

Output-enable ( $\overline{OE}$ ) provides output control. When  $\overline{OE}$  is high, the outputs are in the high-impedance state. When  $\overline{OE}$  is low, the outputs are active. TEST is used for factory testing of the device and can be used to bypass the PLL. TEST should be strapped to GND for normal operation.

Unlike many products containing PLLs, the CDC2586 does not require external RC networks. The loop filter for the PLL is included on-chip, minimizing component count, board space, and cost.

Because it is based on PLL circuitry, the CDC2586 requires a stabilization time to achieve phase lock of the feedback signal to the reference signal. This stabilization time is required following power up and application of a fixed-frequency, fixed-phase signal at CLKIN, as well as following any changes to the PLL reference or feedback signals. Such changes occur upon change of the select inputs, enabling of the PLL via TEST, and upon enable of all outputs via  $\overline{OE}$ .

The CDC2586 is characterized for operation from 0°C to 70°C.

#### detailed description of output configurations

The voltage-controlled oscillator (VCO) used in the CDC2586 PLL has a frequency range of 100 MHz to 200 MHz, twice the operating frequency range of the CDC2586 outputs. The output of the VCO is divided by two and four to provide reference frequencies with a 50% duty cycle of one-half and one-fourth the VCO frequency. The SEL0 and SEL1 inputs select which of the two signals are buffered to each bank of device outputs.

One device output must be externally wired to FBIN to complete the PLL. The VCO operates such that the frequency and phase of this output matches that of the CLKIN signal. In the case that a VCO/2 output is wired to FBIN, the VCO must operate at twice the CLKIN frequency resulting in device outputs that operate at either the same or one-half the CLKIN frequency. If a VCO/4 output is wired to FBIN, the device outputs operate at twice or the same as the CLKIN frequency.



POST OFFICE BOX 655303 • DALLAS, TEXAS 75265

**CDC2586**  
**3.3-V PHASE-LOCK LOOP CLOCK DRIVER**  
**WITH 3-STATE OUTPUTS**

SCAS337C – FEBRUARY 1993 – REVISED OCTOBER 1998

**output configuration A**

Output configuration A is valid when any output configured as a  $1 \times$  frequency output in Table 1 is fed back to FBIN. The input frequency range for CLKIN is 50 MHz to 100 MHz when using output configuration A. Outputs configured as  $1/2 \times$  outputs operate at half the CLKIN frequency, while outputs configured as  $1 \times$  outputs operate at the same frequency as CLKIN.

**Table 1. Output Configuration A**

INPUTS		OUTPUTS	
SEL1	SEL0	$1/2 \times$ FREQUENCY	$1 \times$ FREQUENCY
L	L	None	All
L	H	1Yn	2Yn, 3Yn, 4Yn
H	L	1Yn, 2Yn	3Yn, 4Yn
H	H	1Yn, 2Yn, 3Yn	4Yn

NOTE: n = 1, 2, 3

**output configuration B**

Output configuration B is valid when any output configured as a  $1 \times$  frequency output in Table 2 is fed back to FBIN. The input frequency range for CLKIN is 25 MHz to 50 MHz when using output configuration B. Outputs configured as  $1 \times$  outputs operate at the CLKIN frequency, while outputs configured as  $2 \times$  outputs operate at double the frequency of CLKIN.

**Table 2. Output Configuration B**

INPUTS		OUTPUTS	
SEL1	SEL0	$1 \times$ FREQUENCY	$2 \times$ FREQUENCY
L	L	All	None
L	H	1Yn	2Yn, 3Yn, 4Yn
H	L	1Yn, 2Yn	3Yn, 4Yn
H	H	1Yn, 2Yn, 3Yn	4Yn

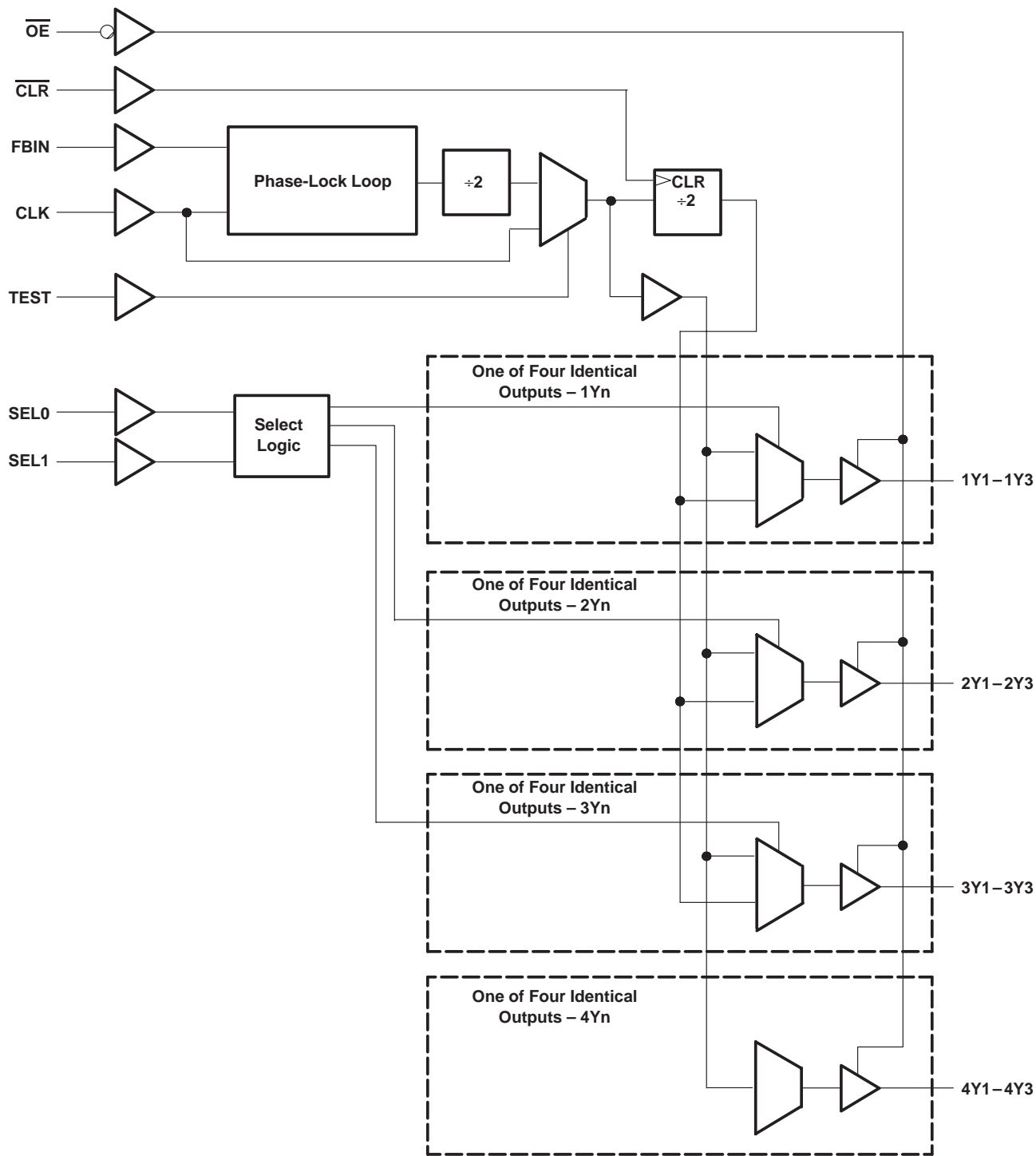
NOTE: n = 1, 2, 3



**CDC2586**  
**3.3-V PHASE-LOCK LOOP CLOCK DRIVER**  
**WITH 3-STATE OUTPUTS**

SCAS337C – FEBRUARY 1993 – REVISED OCTOBER 1998

**functional block diagram**



**CDC2586**  
**3.3-V PHASE-LOCK LOOP CLOCK DRIVER**  
**WITH 3-STATE OUTPUTS**

SCAS337C – FEBRUARY 1993 – REVISED OCTOBER 1998

**Terminal Functions**

TERMINAL NAME	NO.	I/O	DESCRIPTION
CLKIN	45	I	Clock input. CLKIN is the clock signal to be distributed by the CDC2586 clock-driver circuit. CLKIN provides the reference signal to the integrated PLL that generates the clock output signals. CLKIN must have a fixed frequency and fixed phase for the PLL to obtain phase lock. Once the circuit is powered up and a valid CLKIN signal is applied, a stabilization time is required for the PLL to phase lock the feedback signal to its reference signal.
$\overline{\text{CLR}}$	40	I	$\overline{\text{CLR}}$ is used for testing purposes only.
FBIN	48	I	Feedback input. FBIN provides the feedback signal to the internal PLL. FBIN must be hardwired to one of the twelve clock outputs to provide frequency and phase lock. The internal PLL adjusts the output clocks to obtain zero phase delay between FBIN and CLKIN.
$\overline{\text{OE}}$	42	I	Output enable. $\overline{\text{OE}}$ is the output enable for all outputs. When $\overline{\text{OE}}$ is low, all outputs are enabled. When $\overline{\text{OE}}$ is high, all outputs are in the high-impedance state. Since the feedback signal for the PLL is taken directly from an output, placing the outputs in the high-impedance state interrupts the feedback loop; therefore, when a high-to-low transition occurs at $\overline{\text{OE}}$ , enabling the output buffers, a stabilization time is required before the PLL obtains phase lock.
SEL1, SEL0	51, 50	I	Output configuration select. SEL0 and SEL1 select the output configuration for each output bank (e.g., 1/2x, 1x, or 2x) (see Tables 1 and 2).
TEST	41	I	TEST is used to bypass the PLL circuitry for factory testing of the device. When TEST is low, all outputs operate using the PLL circuitry. When TEST is high, the outputs are placed in a test mode that bypasses the PLL circuitry. TEST should be strapped to GND for normal operation.
1Y1–1Y3 2Y1–2Y3 3Y1–3Y3	2, 5, 8 12, 15, 18 22, 25, 28	O	Output ports. These outputs are configured by the select inputs (SEL1, SEL0) to transmit one-half or one-fourth the frequency of the VCO. The relationship between the CLKIN frequency and the output frequency is dependent on the select inputs and the frequency of the output being fed back to FBIN (see Tables 1 and 2). The duty cycle of the Y output signals is nominally 50%, independent of the duty cycle of CLKIN. Each output has an internal series resistor to dampen transmission-line effects and improve the signal integrity at the load.
4Y1–4Y3	32, 35, 38	O	Output ports. 4Y1–4Y3 transmit one-half the frequency of the VCO regardless of the state of the select inputs. The relationship between the CLKIN frequency and the output frequency is dependent on the frequency of the output being fed back to FBIN (see Tables 1 and 2). The duty cycle of the Y output signals is nominally 50%, independent of the duty cycle of CLKIN. Each output has an internal series resistor to dampen transmission-line effects and improve the signal integrity at the load.

**absolute maximum ratings over operating free-air temperature range (unless otherwise noted)†**

Supply voltage range, $V_{CC}$	–0.5 V to 4.6 V
Input voltage range, $V_I$ (see Note 1)	–0.5 V to 7 V
Voltage range applied to any output in the high state or power-off state, $V_O$ (see Note 1)	–0.5 V to 5.5 V
Current into any output in the low state, $I_O$	24 mA
Input clamp current, $I_{IK}$ ( $V_I < 0$ )	–20 mA
Output clamp current, $I_{OK}$ ( $V_O < 0$ )	–50 mA
Maximum power dissipation at $T_A = 55^\circ\text{C}$ (in still air) (see Note 2)	1.2 W
Storage temperature range, $T_{stg}$	–65°C to 150°C

† Stresses beyond those listed under “absolute maximum ratings” may cause permanent damage to the device. These are stress ratings only, and functional operation of the device at these or any other conditions beyond those indicated under “recommended operating conditions” is not implied. Exposure to absolute-maximum-rated conditions for extended periods may affect device reliability.

- NOTES: 1. The input and output negative-voltage ratings may be exceeded if the input and output clamp-current ratings are observed.  
2. The maximum package power dissipation is calculated using a junction temperature of 150°C and a board trace length of 75 mils. For more information, refer to the *Package Thermal Considerations* application note in the *ABT Advanced BiCMOS Technology Data Book*, literature number SCBD002.



**CDC2586**  
**3.3-V PHASE-LOCK LOOP CLOCK DRIVER**  
**WITH 3-STATE OUTPUTS**

SCAS337C – FEBRUARY 1993 – REVISED OCTOBER 1998

**recommended operating conditions (see Note 3)**

		MIN	MAX	UNIT
V <sub>CC</sub>	Supply voltage	3	3.6	V
V <sub>IH</sub>	High-level input voltage	2		V
V <sub>IL</sub>	Low-level input voltage		0.8	V
V <sub>I</sub>	Input voltage	0	5.5	V
I <sub>OH</sub>	High-level output current		-12	mA
I <sub>OL</sub>	Low-level output current		12	mA
T <sub>A</sub>	Operating free-air temperature	0	70	°C

NOTE 3: Unused inputs must be held high or low to prevent them from floating.

**electrical characteristics over recommended operating free-air temperature range (unless otherwise noted)**

PARAMETER	TEST CONDITIONS	T <sub>A</sub> = 25°C		UNIT
		MIN	MAX	
V <sub>IK</sub>	V <sub>CC</sub> = 3 V, I <sub>I</sub> = -18 mA		-1.2	V
V <sub>OH</sub>	V <sub>CC</sub> = MIN to MAX <sup>†</sup> , I <sub>OH</sub> = -100 μA	V <sub>CC</sub> - 0.2		V
	V <sub>CC</sub> = 3 V, I <sub>OH</sub> = -12 mA	2		
V <sub>OL</sub>	V <sub>CC</sub> = 3 V	I <sub>OL</sub> = 100 μA		V
		I <sub>OL</sub> = 12 mA		
I <sub>I</sub>	V <sub>CC</sub> = 0 or MAX <sup>†</sup> , V <sub>I</sub> = 3.6 V	±10		μA
	V <sub>CC</sub> = 3.6 V, V <sub>I</sub> = V <sub>CC</sub> or GND	±1		
I <sub>OZH</sub>	V <sub>CC</sub> = 3.6 V, V <sub>O</sub> = 3 V	10		μA
I <sub>OZL</sub>	V <sub>CC</sub> = 3.6 V, V <sub>O</sub> = 0	-10		μA
I <sub>CC</sub>	V <sub>CC</sub> = 3.6 V, V <sub>I</sub> = V <sub>CC</sub> or GND, I <sub>O</sub> = 0,	Outputs high		mA
		Outputs low		
		Outputs disabled		
C <sub>i</sub>	V <sub>I</sub> = V <sub>CC</sub> or GND	4		pF
C <sub>o</sub>	V <sub>O</sub> = V <sub>CC</sub> or GND	8		pF

<sup>†</sup> For conditions shown as MIN or MAX, use the appropriate value specified under recommended operating conditions.



CDC2586  
**3.3-V PHASE-LOCK LOOP CLOCK DRIVER  
 WITH 3-STATE OUTPUTS**

SCAS337C – FEBRUARY 1993 – REVISED OCTOBER 1998

**timing requirements over recommended ranges of supply voltage and operating free-air temperature**

		MIN	MAX	UNIT
f <sub>clock</sub>	Clock frequency	VCO operating at four times the CLKIN frequency		MHz
		VCO operating at double the CLKIN frequency		
Input clock duty cycle		40%	60%	
Stabilization time <sup>†</sup>	After SEL1, SEL0		50	μs
	After OE $\downarrow$		50	
	After power up		50	
	After CLKIN		50	

<sup>†</sup> Time required for the integrated PLL circuit to obtain phase lock of its feedback signal to its reference signal. In order for phase lock to be obtained, a fixed-frequency, fixed-phase reference signal must be present at CLKIN. Until phase lock is obtained, the specifications for propagation delay and skew parameters given in the switching characteristics table are not applicable.

**switching characteristics over recommended ranges of supply voltage and operating free-air temperature, C<sub>L</sub> = 15 pF (see Note 4 and Figures 1 through 3)**

PARAMETER	FROM (INPUT)	TO (OUTPUT)	MIN	MAX	UNIT
f <sub>max</sub>			100		MHz
Duty cycle		Y	45%	55%	
t <sub>phase error</sub> <sup>‡</sup>	CLKIN $\uparrow$	Y $\uparrow$	-500	+500	ps
jitter	CLKIN $\uparrow$	Y $\uparrow$		200	ps
t <sub>sk(o)</sub> <sup>‡</sup>				0.5	ns
t <sub>sk(pr)</sub> <sup>‡</sup>				1	ns
t <sub>r</sub>				1.4	ns
t <sub>f</sub>				1.4	ns

<sup>‡</sup> The propagation delay, t<sub>phase error</sub>, is dependent on the feedback path from any output to FBIN. The t<sub>phase error</sub>, t<sub>sk(o)</sub>, and t<sub>sk(pr)</sub> specifications are valid only for equal loading of all outputs.

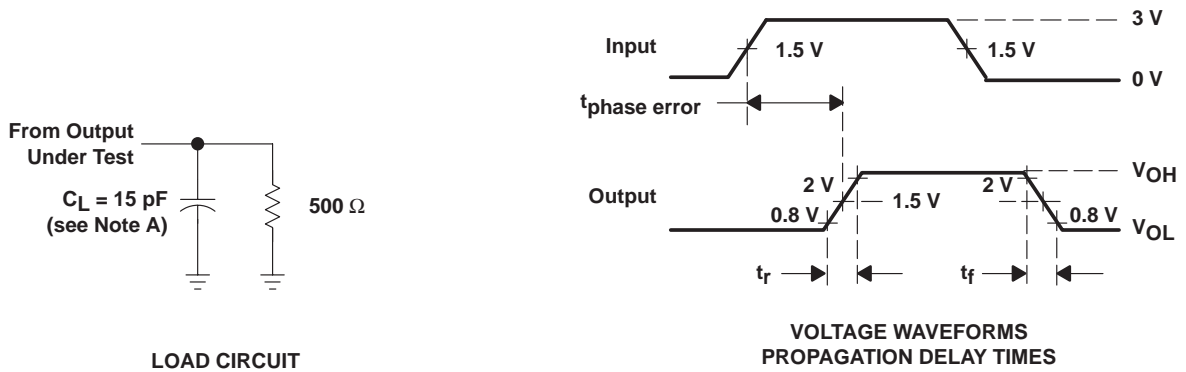
NOTE 4: The specifications for parameters in this table are applicable only after any appropriate stabilization time has elapsed.



**CDC2586**  
**3.3-V PHASE-LOCK LOOP CLOCK DRIVER**  
**WITH 3-STATE OUTPUTS**

SCAS337C – FEBRUARY 1993 – REVISED OCTOBER 1998

**PARAMETER MEASUREMENT INFORMATION**

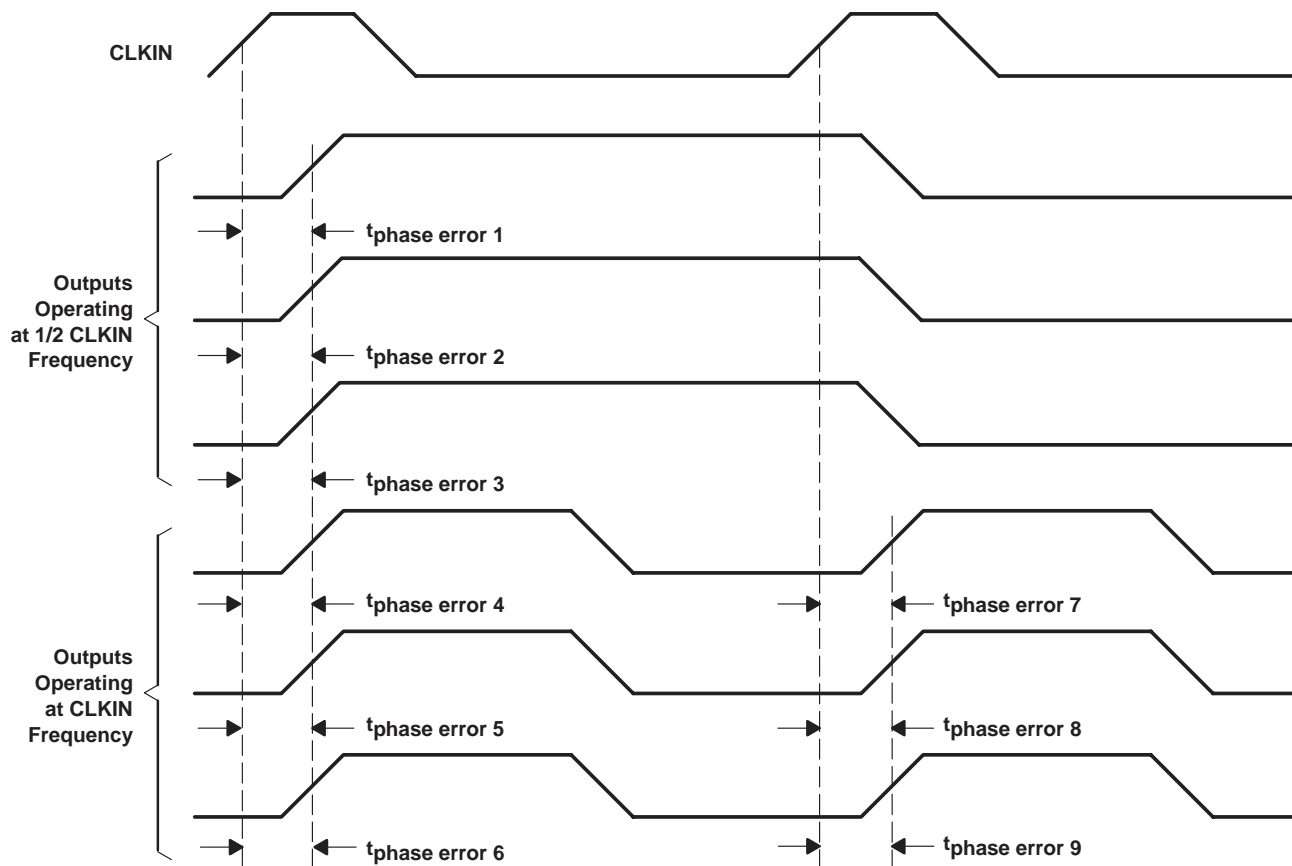


- NOTES: A.  $C_L$  includes probe and jig capacitance.  
 B. All input pulses are supplied by generators having the following characteristics:  $PRR \leq 100 \text{ MHz}$ ,  $Z_O = 50 \Omega$ ,  $t_r \leq 2.5 \text{ ns}$ ,  $t_f \leq 2.5 \text{ ns}$ .  
 C. The outputs are measured one at a time with one transition per measurement.

**Figure 1. Load Circuit and Voltage Waveforms**



**PARAMETER MEASUREMENT INFORMATION**



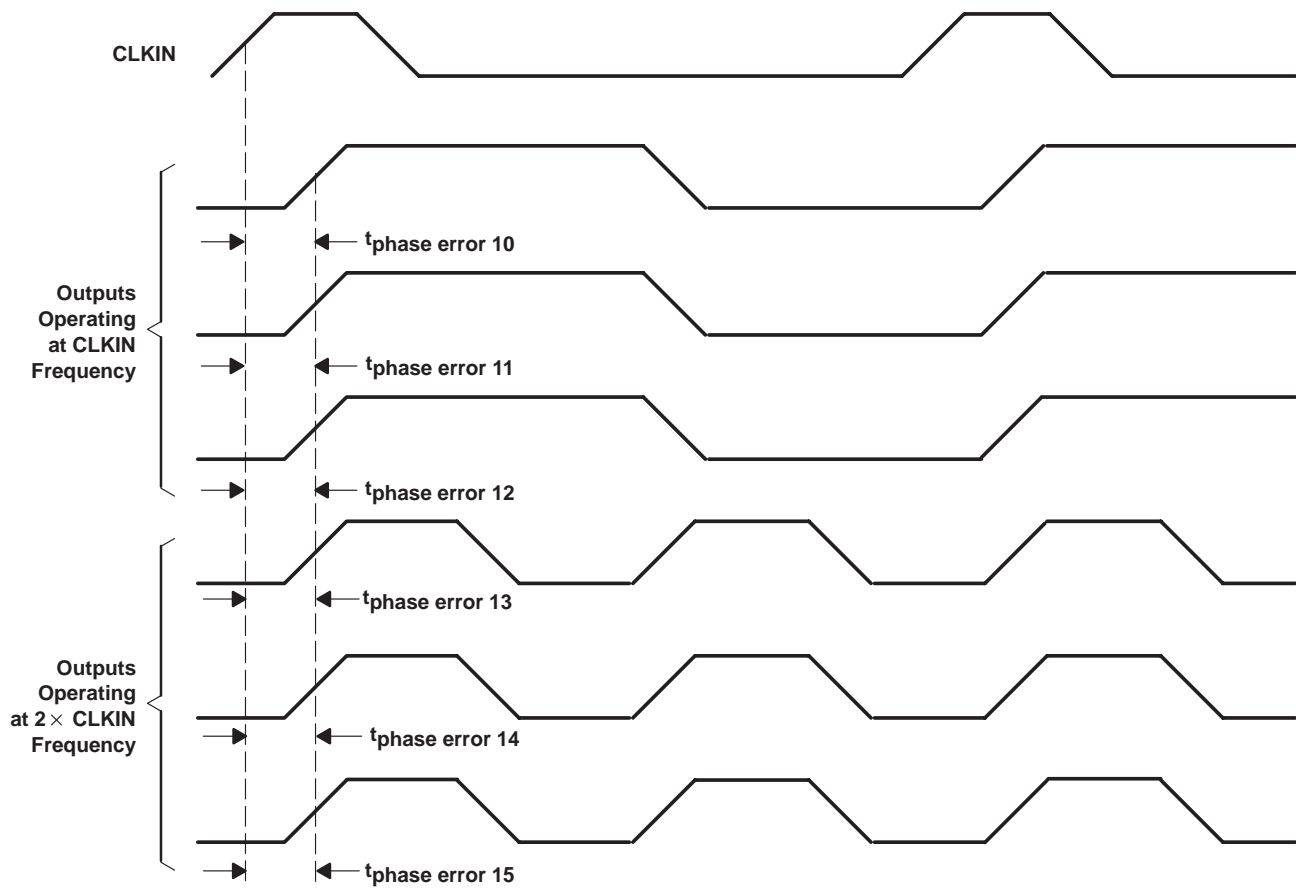
- NOTES: A. Output skew,  $t_{sk(o)}$ , is calculated as the greater of:
- The difference between the fastest and slowest of  $t_{phase\ error\ n}$  ( $n = 1, 2, \dots, 6$ )
  - The difference between the fastest and slowest of  $t_{phase\ error\ n}$  ( $n = 7, 8, 9$ )
- B. Process skew,  $t_{sk(pr)}$ , is calculated as the greater of:
- The difference between the maximum and minimum  $t_{phase\ error\ n}$  ( $n = 1, 2, \dots, 6$ ) across multiple devices under identical operating conditions
  - The difference between the maximum and minimum  $t_{phase\ error\ n}$  ( $n = 7, 8, 9$ ) across multiple devices under identical operating conditions
- C. For configuration A, see Table 1

**Figure 2. Waveforms for Calculation of  $t_{sk(o)}$  for Configuration A**

**CDC2586**  
**3.3-V PHASE-LOCK LOOP CLOCK DRIVER**  
**WITH 3-STATE OUTPUTS**

SCAS337C – FEBRUARY 1993 – REVISED OCTOBER 1998

**PARAMETER MEASUREMENT INFORMATION**



- NOTES: A. Output skew,  $t_{sk(o)}$ , is calculated as the greater of:
- The difference between the fastest and slowest of  $t_{phase\ error\ n}$  ( $n = 10, 11, \dots, 15$ )
- B. Process skew,  $t_{sk(pr)}$ , is calculated as the greater of:
- The difference between the maximum and minimum  $t_{phase\ error\ n}$  ( $n = 10, 11, \dots, 15$ ) across multiple devices under identical operating conditions
- C. For configuration B, see Table 2

**Figure 3. Waveforms for Calculation of  $t_{sk(o)}$  for Configuration B**

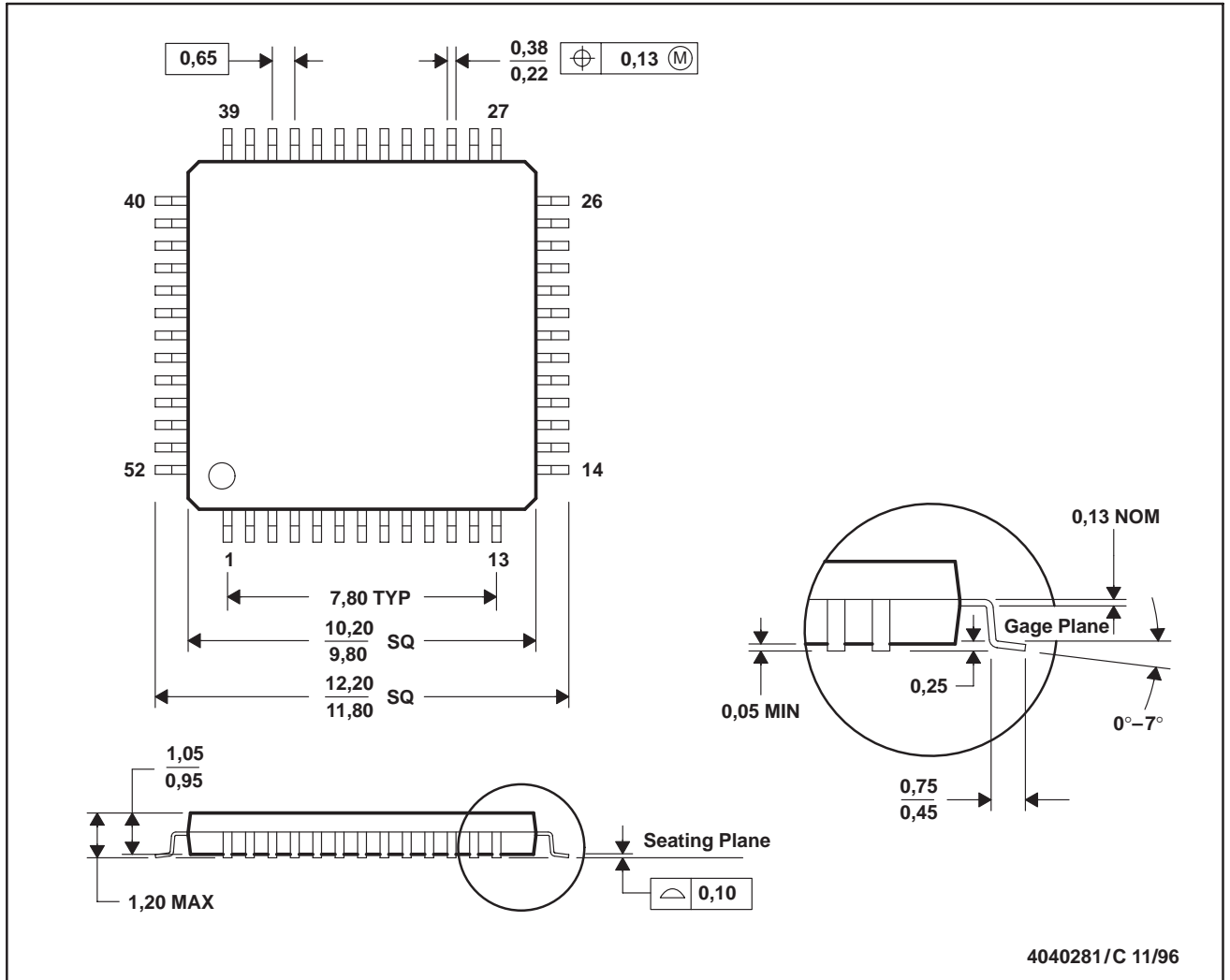
CDC2586  
**3.3-V PHASE-LOCK LOOP CLOCK DRIVER  
 WITH 3-STATE OUTPUTS**

SCAS337C – FEBRUARY 1993 – REVISED OCTOBER 1998

**MECHANICAL DATA**

**PAH (S-PQFP-G52)**

**PLASTIC QUAD FLATPACK**



- NOTES: A. All linear dimensions are in millimeters.  
 B. This drawing is subject to change without notice.  
 C. Falls within JEDEC MS-026

## **IMPORTANT NOTICE**

Texas Instruments and its subsidiaries (TI) reserve the right to make changes to their products or to discontinue any product or service without notice, and advise customers to obtain the latest version of relevant information to verify, before placing orders, that information being relied on is current and complete. All products are sold subject to the terms and conditions of sale supplied at the time of order acknowledgement, including those pertaining to warranty, patent infringement, and limitation of liability.

TI warrants performance of its semiconductor products to the specifications applicable at the time of sale in accordance with TI's standard warranty. Testing and other quality control techniques are utilized to the extent TI deems necessary to support this warranty. Specific testing of all parameters of each device is not necessarily performed, except those mandated by government requirements.

**CERTAIN APPLICATIONS USING SEMICONDUCTOR PRODUCTS MAY INVOLVE POTENTIAL RISKS OF DEATH, PERSONAL INJURY, OR SEVERE PROPERTY OR ENVIRONMENTAL DAMAGE ("CRITICAL APPLICATIONS"). TI SEMICONDUCTOR PRODUCTS ARE NOT DESIGNED, AUTHORIZED, OR WARRANTED TO BE SUITABLE FOR USE IN LIFE-SUPPORT DEVICES OR SYSTEMS OR OTHER CRITICAL APPLICATIONS. INCLUSION OF TI PRODUCTS IN SUCH APPLICATIONS IS UNDERSTOOD TO BE FULLY AT THE CUSTOMER'S RISK.**

In order to minimize risks associated with the customer's applications, adequate design and operating safeguards must be provided by the customer to minimize inherent or procedural hazards.

TI assumes no liability for applications assistance or customer product design. TI does not warrant or represent that any license, either express or implied, is granted under any patent right, copyright, mask work right, or other intellectual property right of TI covering or relating to any combination, machine, or process in which such semiconductor products or services might be or are used. TI's publication of information regarding any third party's products or services does not constitute TI's approval, warranty or endorsement thereof.