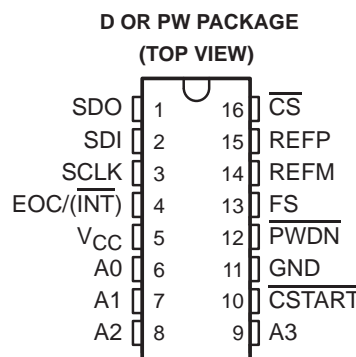
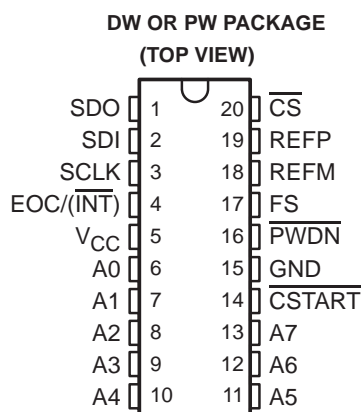


TLV2544, TLV2548

**2.7 V TO 5.5 V, 12-BIT, 200 KSPS, 4/8 CHANNEL, LOW POWER,  
SERIAL ANALOG-TO-DIGITAL CONVERTERS WITH AUTO POWER DOWN**

SLAS198A –FEBRUARY 1999– REVISED AUGUST 1999

- **Maximum Throughput 200 KSPS**
- **Built-In Reference, Conversion Clock and 8× FIFO**
- **Differential/Integral Nonlinearity Error: ±1 LSB**
- **Signal-to-Noise and Distortion Ratio: 69 dB,  $f_i = 12$  kHz**
- **Spurious Free Dynamic Range: 75 dB,  $f_i = 12$  kHz**
- **SPI/DSP-Compatible Serial Interfaces With SCLK up to 20 MHz**
- **Single Wide Range Supply 2.7 Vdc to 5.5 Vdc**
- **Analog Input Range 0 V to Supply Voltage with 500 kHz BW**
- **Hardware Controlled and Programmable Sampling Period**
- **Low Operating Current (1 mA at 2.7 V, 1.2 mA at 5.5 V External Ref, 1.6 mA at 2.7 V, 2.1 mA at 5.5 V, Internal Ref)**
- **Power Down: Software/Hardware Power-Down Mode (1  $\mu$ A Max, Ext Ref), Auto Power-Down Mode (1  $\mu$ A, Ext Ref)**
- **Programmable Auto-Channel Sweep**



## description

The TLV2548 and TLV2544 are a family of high performance, 12-bit low power, 3.6  $\mu$ s, CMOS analog-to-digital converters (ADC) which operate from a single 2.7 V to 5.5 V power supply. These devices have three digital inputs and a 3-state output [chip select ( $\overline{CS}$ ), serial input-output clock (SCLK), serial data input (SDI) and serial data output (SDO)] that provide a direct 4-wire interface to the serial port of most popular host microprocessors (SPI interface). When interfaced with a DSP, a frame sync (FS) signal is used to indicate the start of a serial data frame.

In addition to a high-speed A/D converter and versatile control capability, these devices have an on-chip analog multiplexer that can select any analog inputs or one of three internal self-test voltages. The sample-and-hold function is automatically started after the fourth SCLK edge (normal sampling) or can be controlled by a special pin,  $\overline{CSTART}$ , to extend the sampling period (extended sampling). The normal sampling period can also be programmed as short (12 SCLKs) or as long (24 SCLKs) to accommodate faster SCLK operation popular among high-performance signal processors. The TLV2548 and TLV2544 are designed to operate with very low power consumption. The power-saving feature is further enhanced with software/hardware/auto power down modes and programmable conversion speeds. The conversion clock (OSC) and reference are built-in. The converter can use the external SCLK as the source of the conversion clock to achieve higher (up to 3.6  $\mu$ s when a 20 MHz SCLK is used) conversion speed. Two different internal reference voltages are available. An optional external reference can also be used to achieve maximum flexibility.



Please be aware that an important notice concerning availability, standard warranty, and use in critical applications of Texas Instruments semiconductor products and disclaimers thereto appears at the end of this data sheet.

PRODUCTION DATA information is current as of publication date. Products conform to specifications per the terms of Texas Instruments standard warranty. Production processing does not necessarily include testing of all parameters.

**TEXAS  
INSTRUMENTS**

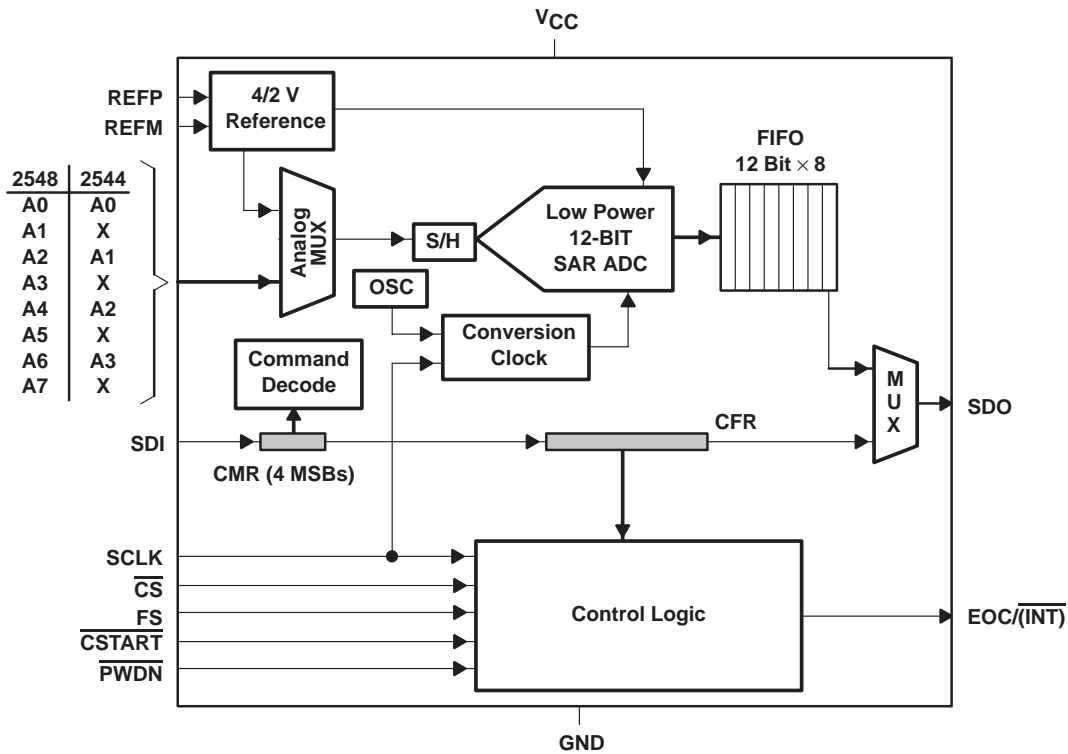
POST OFFICE BOX 655303 • DALLAS, TEXAS 75265

Copyright © 1999, Texas Instruments Incorporated

**TLV2544, TLV2548**  
**2.7 V TO 5.5 V, 12-BIT, 200 KSPS, 4/8 CHANNEL, LOW POWER,**  
**SERIAL ANALOG-TO-DIGITAL CONVERTERS WITH AUTO POWER DOWN**

SLAS198A –FEBRUARY 1999– REVISED AUGUST 1999

**functional block diagram**



**AVAILABLE OPTIONS**

T <sub>A</sub>	PACKAGED DEVICES			
	20-TSSOP (PW)	20-SOIC (DW)	16-SOIC (D)	16-TSSOP (PW)
0°C to 70°C	TLV2548CPW	TLV2548CDW	TLV2544CD	TLV2544CPW
-40°C to 85°C	TLV2548IPW	TLV2548IDW	TLV2544ID	TLV2544IPW



POST OFFICE BOX 655303 • DALLAS, TEXAS 75265

TLV2544, TLV2548

**2.7 V TO 5.5 V, 12-BIT, 200 KSPS, 4/8 CHANNEL, LOW POWER,  
SERIAL ANALOG-TO-DIGITAL CONVERTERS WITH AUTO POWER DOWN**

SLAS198A –FEBRUARY 1999– REVISED AUGUST 1999

**Terminal Functions**

TERMINAL				I/O	DESCRIPTION
NAME	NO.				
	TLV2544	TLV2548			
A0 A1 A2 A3 A4 A5 A6 A7	6 7 8 9 10 11 12 13	6 7 8 9 10 11 12 13		I	Analog signal inputs. The analog inputs are applied to these terminals and are internally multiplexed. The driving source impedance should be less than or equal to 1 k $\Omega$ .  For a source impedance greater than 1 k $\Omega$ , use the asynchronous conversion start signal $\overline{\text{CSTART}}$ ( $\overline{\text{CSTART}}$ low time controls the sampling period) or program long sampling period to increase the sampling time.
$\overline{\text{CS}}$	16	20		I	Chip select. A high-to-low transition on the $\overline{\text{CS}}$ input resets the internal 4-bit counter, enables SDI, and removes SDO from 3-state within a maximum setup time. SDI is disabled within a setup time after the 4-bit counter counts to 16 (clock edges) or a low-to-high transition of $\overline{\text{CS}}$ whichever happens first. SDO is 3-stated after the rising edge of $\overline{\text{CS}}$ . $\overline{\text{CS}}$ can be used as the FS pin when a dedicated serial port is used.
$\overline{\text{CSTART}}$	10	14		I	This terminal controls the start of sampling of the analog input from a selected multiplex channel. A high-to-low transition starts sampling of the analog input signal. A low-to-high transition puts the S/H in hold mode and starts the conversion. This input is independent from SCLK and works when $\overline{\text{CS}}$ is high (inactive). The low time of $\overline{\text{CSTART}}$ controls the duration of the sampling period of the converter (extended sampling).  Tie this terminal to $V_{\text{CC}}$ if not used.
$\text{EOC}/(\overline{\text{INT}})$	4	4		O	End of conversion or interrupt to host processor. <b>[PROGRAMMED AS EOC]:</b> This output goes from a high-to-low logic level at the end of the sampling period and remains low until the conversion is complete and data are ready for transfer. EOC is used in conversion mode 00 only. <b>[PROGRAMMED AS <math>\overline{\text{INT}}</math>]:</b> This pin can also be programmed as an interrupt output signal to the host processor. The falling edge of $\overline{\text{INT}}$ indicates data are ready for output. The following $\overline{\text{CS}}\downarrow$ or $\overline{\text{FS}}\uparrow$ clears $\overline{\text{INT}}$ . The falling edge of $\overline{\text{INT}}$ puts SDO back to 3-state even if $\overline{\text{CS}}$ is still active.
FS	13	17		I	DSP frame sync input. Indication of the start of a serial data frame in or out of the device. If FS remains low after the falling edge of $\overline{\text{CS}}$ , SDI is not enabled until an active FS is presented. A high-to-low transition on the FS input resets the internal 4-bit counter and enables SDI within a maximum setup time. SDI is disabled within a setup time after the 4-bit counter counts to 16 (clock edges) or a low-to-high transition of $\overline{\text{CS}}$ whichever happens first. SDO is 3-stated after the 16th bit is presented.  Tie this terminal to $V_{\text{CC}}$ if not used.
GND	11	15		I	Ground return for the internal circuitry. Unless otherwise noted, all voltage measurements are with respect to GND.
$\overline{\text{PWDN}}$	12	16		I	Both analog and reference circuits are powered down when this pin is at logic zero. The device can be restarted by active $\overline{\text{CS}}$ or $\overline{\text{CSTART}}$ after this pin is pulled back to logic one.
SCLK	3	3		I	Input serial clock. This terminal receives the serial SCLK from the host processor. SCLK is used to clock the input SDI to the input register. When programmed, it may also be used as the source of the conversion clock.
SDI	2	2		I	Serial data input. The input data is presented with the MSB (D15) first. The first 4-bit MSBs, D(15–12) are decoded as one of the 16 commands (12 only for the TLV2544). All trailing blanks are filled with zeros. The configure write commands require an additional 12 bits of data. When FS is not used (FS =1), the first MSB (D15) is expected after the falling edge of $\overline{\text{CS}}$ and is shifted in on the rising edges of SCLK (after $\overline{\text{CS}}\downarrow$ ). When FS is used (typical with an active FS from a DSP) the first MSB (D15) is expected after the falling edge of FS and is shifted in on the falling edges of SCLK.

# TLV2544, TLV2548

## 2.7 V TO 5.5 V, 12-BIT, 200 KSPS, 4/8 CHANNEL, LOW POWER, SERIAL ANALOG-TO-DIGITAL CONVERTERS WITH AUTO POWER DOWN

SLAS198A –FEBRUARY 1999– REVISED AUGUST 1999

### Terminal Functions (Continued)

NAME	TERMINAL NO.		I/O	DESCRIPTION
	TLV2544	TLV2548		
	SDO	1		
REFM	14	18	I	External reference input or internal reference decoupling.
REFP	15	19	I	External reference input or internal reference decoupling. (Shunt capacitors of 10 $\mu$ F and 0.1 $\mu$ F between REFP and REFM.) The maximum input voltage range is determined by the difference between the voltage applied to this terminal and the REFM terminal when an external reference is used.
VCC	5	5	I	Positive supply voltage

### detailed description

#### analog inputs and internal test voltages

The 4/8 analog inputs and three internal test inputs are selected by the analog multiplexer depending on the command entered. The input multiplexer is a break-before-make type to reduce input-to-input noise injection resulting from channel switching.

#### converter

The TLV2544/48 uses a 12-bit successive approximation ADC utilizing a charge redistribution DAC. Figure 1 shows a simplified version of the DAC.

The sampling capacitor acquires the signal on Ain during the sampling period. When the conversion process starts, the SAR control logic and charge redistribution DAC are used to add and subtract fixed amounts of charge from the sampling capacitor to bring the comparator into a balanced condition. When the comparator is balanced, the conversion is complete and the ADC output code is generated.



detailed description (continued)

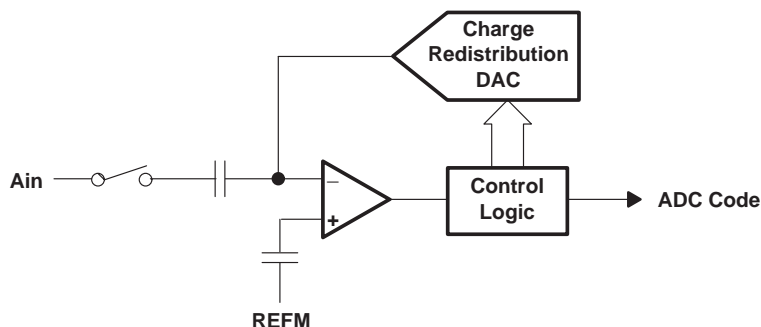


Figure 1. Simplified Model of the Successive-Approximation System

serial interface

INPUT DATA FORMAT	
MSB	LSB
D15–D12	D11–D0
Command	Configuration data field

Input data is binary. All trailing blanks can be filled with zeros.

OUTPUT DATA FORMAT READ CFR	
MSB	LSB
D15–D12	D11–D0
Don't care	Register content

OUTPUT DATA FORMAT CONVERSION/READ FIFO	
MSB	LSB
D15–D4	D3–D0
Conversion result	All zeros

The output data format is binary (unipolar straight binary).

**binary**

Zero scale code = 000h, Vcode = VREFM

Full scale code = FFFh, Vcode = VREFP – 1 LSB

**TLV2544, TLV2548**  
**2.7 V TO 5.5 V, 12-BIT, 200 KSPS, 4/8 CHANNEL, LOW POWER,**  
**SERIAL ANALOG-TO-DIGITAL CONVERTERS WITH AUTO POWER DOWN**  
 SLAS198A –FEBRUARY 1999– REVISED AUGUST 1999

**control and timing**

**start of the cycle:**

- When FS is not used ( FS = 1 at the falling edge of  $\overline{CS}$ ), the falling edge of  $\overline{CS}$  is the start of the cycle. Input data is shifted in on the rising edge of SCLK, and output data changes on the falling edge of SCLK. This is typically used for a SPI microcontroller although it can also be used for a DSP.
- When FS is used ( FS is an active signal from a DSP), the falling edge of FS is the start of the cycle. Input data is shifted in on the falling edge, and output data changes on the rising edge of SCLK. This is typically used for a TMS320 DSP.

**first 4-MSBs: the command register (CMR)**

The TLV2544/TLV2548 have a 4-bit command set (see Table 1) plus a 12-bit configuration data field. Most of the commands require only the first 4 MSBs, i.e. without the 12-bit data field.

**NOTE:**

The device requires a write CFR (configuration register) with 000h data (write A000h to the serial input) at power up to initialize host select mode.

The valid commands are listed in Table 1.

**Table 1. TLV2544/TLV2548 Command Set**

SDI D(15–12) BINARY, HEX	TLV2548 COMMAND	TLV2544 COMMAND
0000b	0000h	Select analog input channel 0
0001b	1000h	Select analog input channel 1
0010b	2000h	Select analog input channel 2
0011b	3000h	Select analog input channel 3
0100b	4000h	Select analog input channel 4
0101b	5000h	Select analog input channel 5
0110b	6000h	Select analog input channel 6
0111b	7000h	Select analog input channel 7
1000b	8000h	SW power down (analog + reference)
1001b	9000h	Read CFR register data shown as SDO D(11–0)
1010b	A000h plus data	Write CFR followed by 12-bit data, e.g., 0A100h means external reference, short sampling, SCLK/4, single shot, INT
1011b	B000h	Select test, voltage = (REFP+REFM)/2
1100b	C000h	Select test, voltage = REFM
1101b	D000h	Select test, voltage = REFP
1110b	E000h	FIFO read, FIFO contents shown as SDO D(15–4), D(3–0) = 0000
1111b	F000h plus data	Reserved



**control and timing (continued)**

**configuration**

Configuration data is stored in one 12-bit configuration register (CFR) (see Table 2 for CFR bit definitions). Once configured after first power up, the information is retained in the H/W or S/W power down state. When the device is being configured, a write CFR cycle is issued by the host processor. This is a 16-bit write. If the SCLK stops after the first 8 bits are entered, then the next eight bits can be taken after the SCLK is resumed. The status of the CFR can be read with a read CFR command when the device is programmed for one-shot conversion mode (CFR D[6,5] = 00).

**Table 2. TLV2544/TLV2548 Configuration Register (CFR) Bit Definitions**

BIT	DEFINITION	
D11	Reference select 0: External      1: internal	
D10	Internal reference voltage select 0: Internal ref = 4 V   1: internal ref = 2 V	
D9	Sample period select 0: Short sampling 12 SCLKs (1x sampling time) 1: Long sampling 24 SCLKs (2x sampling time)	
D(8–7)	Conversion clock source select 00: Conversion clock = internal OSC 01: Conversion clock = SCLK 10: Conversion clock = SCLK/4 11: Conversion clock = SCLK/2	
D(6,5)	Conversion mode select 00: Single shot mode 01: Repeat mode 10: Sweep mode 11: Repeat sweep mode	
D(4,3)†	<b>TLV2548</b>	<b>TLV2544</b>
	Sweep auto sequence select 00: 0–1–2–3–4–5–6–7 01: 0–2–4–6–0–2–4–6 10: 0–0–2–2–4–4–6–6 11: 0–2–0–2–0–2–0–2	Sweep auto sequence select 00: N/A 01: 0–1–2–3–0–1–2–3 10: 0–0–1–1–2–2–3–3 11: 0–1–0–1–0–1–0–1
D2	EOC/ $\overline{\text{INT}}$ – pin function select 0: Pin used as $\overline{\text{INT}}$ 1: Pin used as EOC	
D(1,0)	FIFO trigger level (sweep sequence length) 00: Full ( $\overline{\text{INT}}$ generated after FIFO level 7 filled) 01: 3/4 ( $\overline{\text{INT}}$ generated after FIFO level 5 filled) 10: 1/2 ( $\overline{\text{INT}}$ generated after FIFO level 3 filled) 11: 1/4 ( $\overline{\text{INT}}$ generated after FIFO level 1 filled)	

† These bits only take effect in conversion modes 10 and 11.

**sampling**

The sampling period starts after the first 4 input data are shifted in if they are decoded as one of the conversion commands. These are select analog input (channel 0 through 7) and select test (channel 1 through 3).



# TLV2544, TLV2548

## 2.7 V TO 5.5 V, 12-BIT, 200 KSPS, 4/8 CHANNEL, LOW POWER, SERIAL ANALOG-TO-DIGITAL CONVERTERS WITH AUTO POWER DOWN

SLAS198A –FEBRUARY 1999– REVISED AUGUST 1999

---

### normal sampling

When the converter is using normal sampling, the sampling period is programmable. It can be 12 SCLKs (short sampling) or 24 SCLKs (long sampling). Long sampling helps the input analog signal sampled to settle to 0.5 LSB accuracy when SCLK is faster than 10 MHz or when input source resistance is high.

### extended sampling

An asynchronous (to the SCLK) signal, via dedicated hardware pin  $\overline{\text{CSTART}}$ , can be used in order to have total control of the sampling period and the start of a conversion. This is extended sampling. The falling edge of  $\overline{\text{CSTART}}$  is the start of the sampling period. The rising edge of  $\overline{\text{CSTART}}$  is the end of the sampling period and the start of the conversion. This function is useful for an application that requires:

- The use of an extended sampling period to accommodate different input source impedance.
- The use of a faster I/O clock on the serial port but not enough sampling time is available due to the fixed number of SCLKs. This could be due to a high input source impedance or due to higher MUX ON resistance at lower supply voltage (refer to application information).

Once the conversion is complete, the processor can initiate a read cycle using either the read FIFO command to read the conversion result or simply select the next channel number for conversion. Since the device has a valid conversion result in the output buffer, the conversion result is simply presented at the serial data output.

### TLV2544/TLV2548 conversion modes

The TLV2544 and TLV2548 have four different conversion modes (mode 00, 01, 10, 11). The operation of each mode is slightly different, depending on how the converter performs the sampling and which host interface is used. The trigger for a conversion can be an active  $\overline{\text{CSTART}}$  (extended sampling),  $\overline{\text{CS}}$  (normal sampling, SPI interface), or FS (normal sampling, TMS320 DSP interface). When FS is used as the trigger,  $\overline{\text{CS}}$  can be held active, i.e.  $\overline{\text{CS}}$  does not need to be toggled through the trigger sequence. Different types of triggers should not be mixed throughout the repeat and sweep operations. When  $\overline{\text{CSTART}}$  is used as the trigger, the conversion starts on the rising edge of  $\overline{\text{CSTART}}$ . The minimum low time for  $\overline{\text{CSTART}}$  is 800 ns. If an active  $\overline{\text{CS}}$  or FS is used as the trigger, the conversion is started after the 16th or 28th SCLK edge. Enough time (for conversion) should be allowed between consecutive triggers so that no conversion is terminated prematurely.

#### one shot mode (mode 00)

One shot mode (mode 00) does not use the FIFO, and the EOC is generated as the conversion is in progress (or  $\overline{\text{INT}}$  is generated after the conversion is done).

#### repeat mode (mode 01)

Repeat mode (mode 01) uses the FIFO. Once the programmed FIFO threshold is reached, the FIFO must be read, or the data is lost and the sequence starts over again. This allows the host to set up the converter and continue monitoring a fixed input and come back to get a set of samples when preferred. The first conversion must start with a select command so an analog input channel can be selected.

#### sweep mode (mode 10)

Sweep mode (mode 10) also uses the FIFO. Once it is programmed in this mode, all of the channels listed in the selected sweep sequence are visited in sequence. The results are converted and stored in the FIFO. This sweep sequence may not be completed if the FIFO threshold is reached before the list is completed. This allows the system designer to change the sweep sequence length. Once the FIFO has reached its programmed threshold, an interrupt ( $\overline{\text{INT}}$ ) is generated. The host must issue a read FIFO command to read and clear the FIFO before the next sweep can start.





**TLV2544/TLV2548 conversion modes (continued)**

**repeat sweep mode (mode 11)**

Repeat sweep mode (mode 11) works the same way as mode 10 except the operation has an option to continue even if the FIFO threshold is reached. Once the FIFO has reached its programmed threshold, an interrupt ( $\overline{\text{INT}}$ ) is generated. Then two things may happen:

1. The host may choose to act on it (read the FIFO) or ignore it. If the next cycle is a read FIFO cycle, all of the data stored in the FIFO is retained until it has been read in order.
2. If the next cycle is not a read FIFO cycle, or another  $\overline{\text{CSTART}}$  is generated, all of the content stored in the FIFO is cleared before the next conversion result is stored in the FIFO, and the sweep is continued.

**Table 3. TLV2544/TLV2548 Conversion Mode**

CONVERSION MODE	CFR D(6,5)	SAMPLING TYPE	OPERATION
One shot	00	Normal	<ul style="list-style-type: none"> <li>• Single conversion from a selected channel</li> <li>• <math>\overline{\text{CS}}</math> or <math>\overline{\text{FS}}</math> to start select/sampling/conversion/read</li> <li>• One <math>\overline{\text{INT}}</math> or EOC generated after each conversion</li> <li>• Host must serve <math>\overline{\text{INT}}</math> by selecting channel, and converting and reading the previous output.</li> </ul>
		Extended	<ul style="list-style-type: none"> <li>• Single conversion from a selected channel</li> <li>• <math>\overline{\text{CS}}</math> to select/read</li> <li>• <math>\overline{\text{CSTART}}</math> to start sampling and conversion</li> <li>• One <math>\overline{\text{INT}}</math> or EOC generated after each conversion</li> <li>• Host must serve <math>\overline{\text{INT}}</math> by selecting next channel and reading the previous output.</li> </ul>
Repeat	01	Normal	<ul style="list-style-type: none"> <li>• Repeated conversions from a selected channel</li> <li>• <math>\overline{\text{CS}}</math> or <math>\overline{\text{FS}}</math> to start sampling/conversion</li> <li>• One <math>\overline{\text{INT}}</math> generated after FIFO is filled up to the threshold</li> <li>• Host must serve <math>\overline{\text{INT}}</math> by either 1) (FIFO read) reading out all of the FIFO contents up to the threshold, then repeat conversions from the same selected channel or 2) writing another command(s) to change the conversion mode. If the FIFO is not read when <math>\overline{\text{INT}}</math> is served, it is cleared.</li> </ul>
		Extended	<ul style="list-style-type: none"> <li>• Same as normal sampling except <math>\overline{\text{CSTART}}</math> starts each sampling and conversion when <math>\overline{\text{CS}}</math> is high.</li> </ul>
Sweep	10	Normal	<ul style="list-style-type: none"> <li>• One conversion per channel from a sequence of channels</li> <li>• <math>\overline{\text{CS}}</math> or <math>\overline{\text{FS}}</math> to start sampling/conversion</li> <li>• One <math>\overline{\text{INT}}</math> generated after FIFO is filled up to the threshold</li> <li>• Host must serve <math>\overline{\text{INT}}</math> by (FIFO read) reading out all of the FIFO contents up to the threshold, then write another command(s) to change the conversion mode.</li> </ul>
		Extended	<ul style="list-style-type: none"> <li>• Same as normal sampling except <math>\overline{\text{CSTART}}</math> starts each sampling and conversion when <math>\overline{\text{CS}}</math> is high.</li> </ul>
Repeat sweep	11	Normal	<ul style="list-style-type: none"> <li>• Repeated conversions from a sequence of channels</li> <li>• <math>\overline{\text{CS}}</math> or <math>\overline{\text{FS}}</math> to start sampling/conversion</li> <li>• One <math>\overline{\text{INT}}</math> generated after FIFO is filled up to the threshold</li> <li>• Host must serve <math>\overline{\text{INT}}</math> by either 1) (FIFO read) reading out all of the FIFO contents up to the threshold, then repeat conversions from the same selected channel or 2) writing another command(s) to change the conversion mode. If the FIFO is not read when <math>\overline{\text{INT}}</math> is served it is cleared.</li> </ul>
		Extended	<ul style="list-style-type: none"> <li>• Same as normal sampling except <math>\overline{\text{CSTART}}</math> starts each sampling and conversion when <math>\overline{\text{CS}}</math> is high.</li> </ul>

NOTE: Programming the EOC/ $\overline{\text{INT}}$  pin as the EOC signal works for mode 00 only. The other three modes automatically generate an  $\overline{\text{INT}}$  signal irrespective of whether EOC/ $\overline{\text{INT}}$  is programmed.

**TLV2544, TLV2548**  
**2.7 V TO 5.5 V, 12-BIT, 200 KSPS, 4/8 CHANNEL, LOW POWER,**  
**SERIAL ANALOG-TO-DIGITAL CONVERTERS WITH AUTO POWER DOWN**  
 SLAS198A –FEBRUARY 1999– REVISED AUGUST 1999

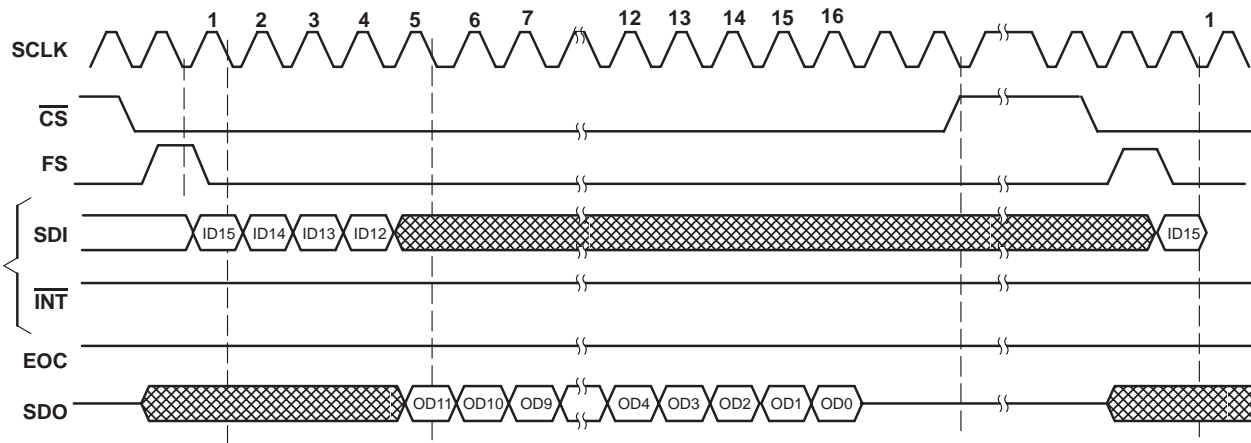
**timing diagrams**

The timing diagrams can be categorized into two major groups: non conversion and conversion. The nonconversion cycles are read and write (configuration). None of these cycles carry a conversion. Conversion cycles are those four modes of conversion.

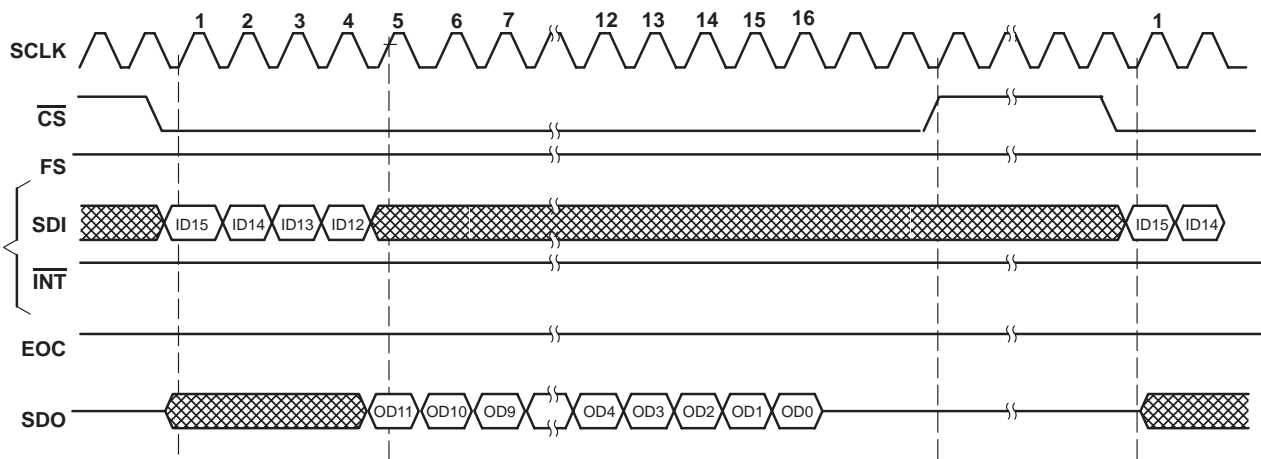
**read cycle (read FIFO or read CFR)**

**read CFR cycle:**

The read command is decoded in the first 4 clocks. SDO outputs the contents of the CFR after the 4th SCLK.



**Figure 2. TLV2544/TLV2548 Read CFR Cycle (FS active)**

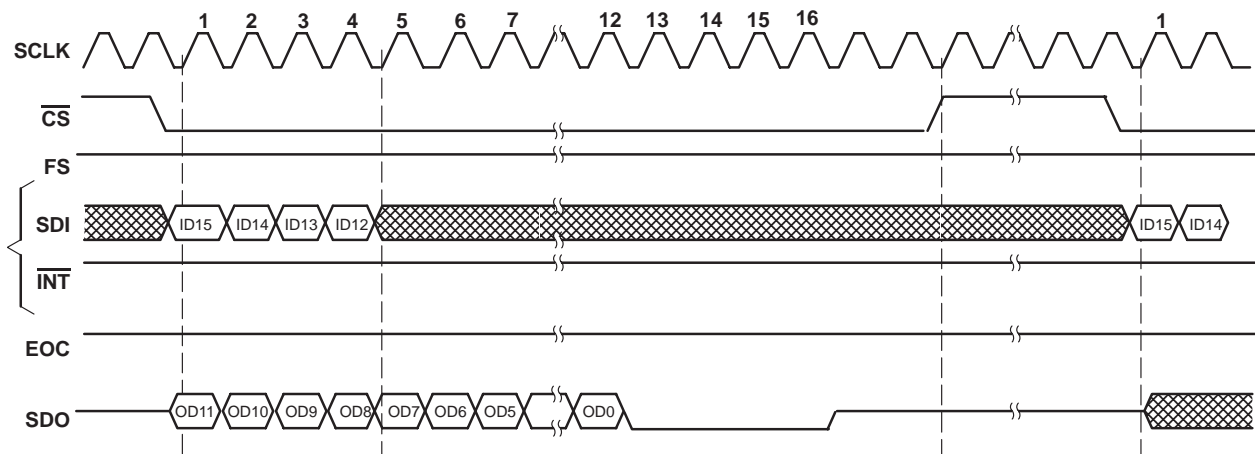


**Figure 3. TLV2544/TLV2548 Read CFR Cycle (FS = 1)**

read cycle (read FIFO or read CFR) (continued)

**FIFO read cycle**

The first command in the active cycle after INT is generated, if the FIFO is used, is assumed as the FIFO read command. The first FIFO content is output immediately before the command is decoded. If this command is not a FIFO read, then the output is terminated but the first data in the FIFO is retained until a valid FIFO read command is decoded. Use of more layers of the FIFO reduces the time taken to read multiple data. This is because the read cycle does not generate EOC or INT nor does it carry out any conversion.

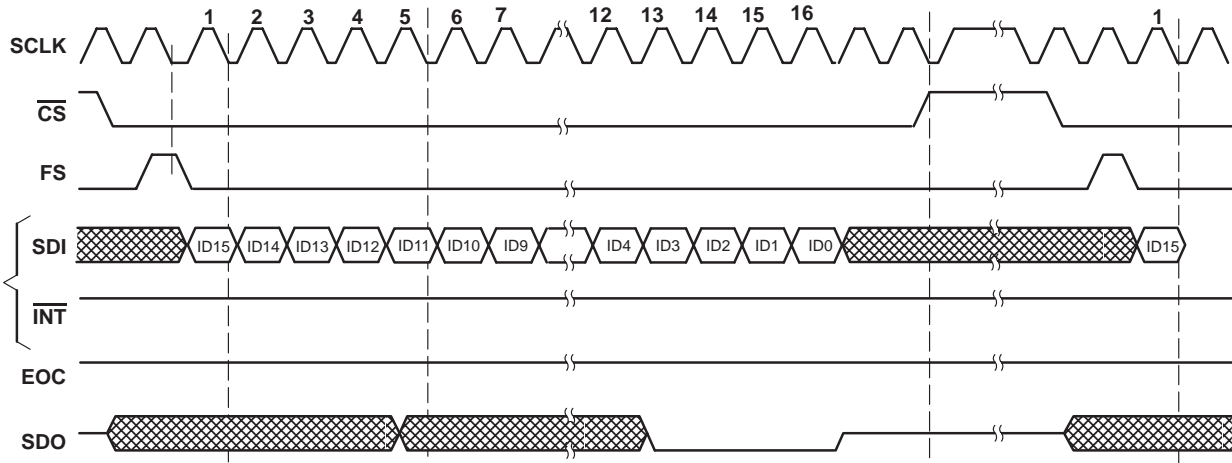


**Figure 4. TLV2544/TLV2548 Continuous FIFO Read Cycle (FS = 1)  
 (controlled by SCLK, SCLK can stop between each 16 SCLKs)**

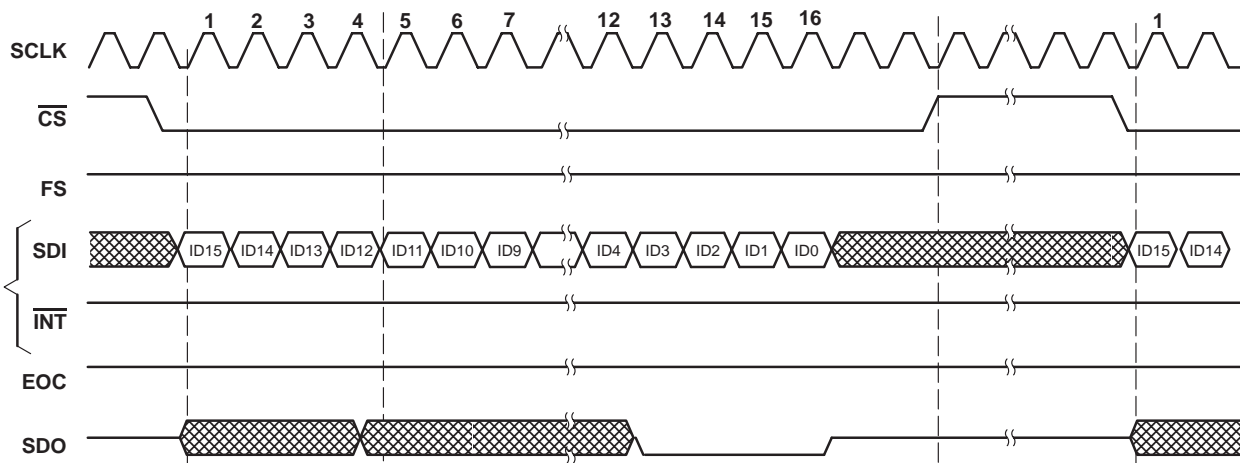
**TLV2544, TLV2548**  
**2.7 V TO 5.5 V, 12-BIT, 200 KSPS, 4/8 CHANNEL, LOW POWER,**  
**SERIAL ANALOG-TO-DIGITAL CONVERTERS WITH AUTO POWER DOWN**  
 SLAS198A –FEBRUARY 1999– REVISED AUGUST 1999

**write cycle (write CFR)**

The write cycle is used to write to the configuration register CFR (with 12-bit register content). The write cycle does not generate an EOC or INT nor does it carry out any conversion.



**Figure 5. TLV2544/TLV2548 Write Cycle (FS active)**



**Figure 6. TLV2544/TLV2548 Write Cycle (FS = 1)**

conversion cycles

DSP/normal sampling

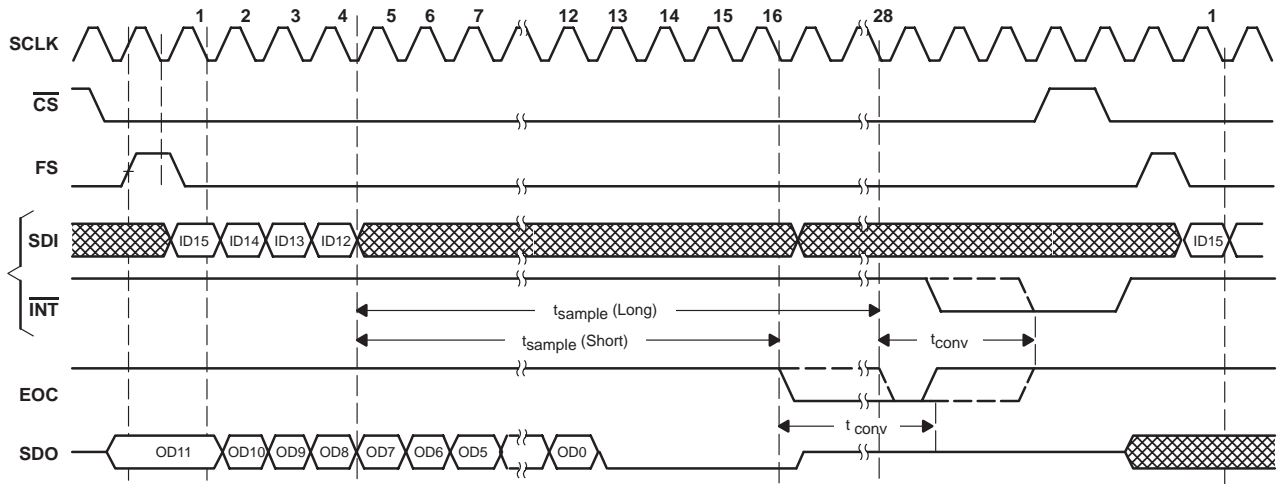


Figure 7. Mode 00 Single Shot/Normal Sampling (FS signal used)

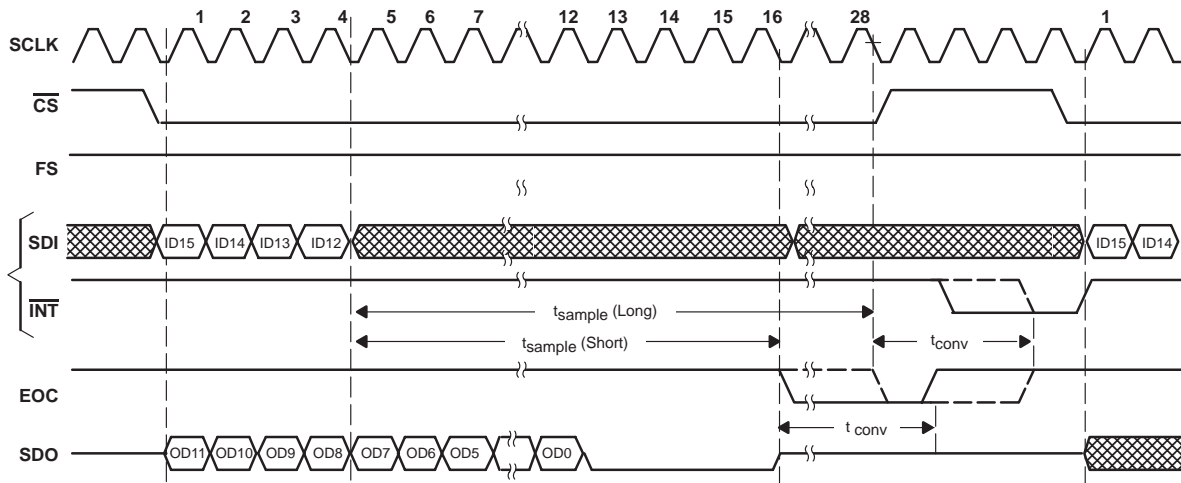
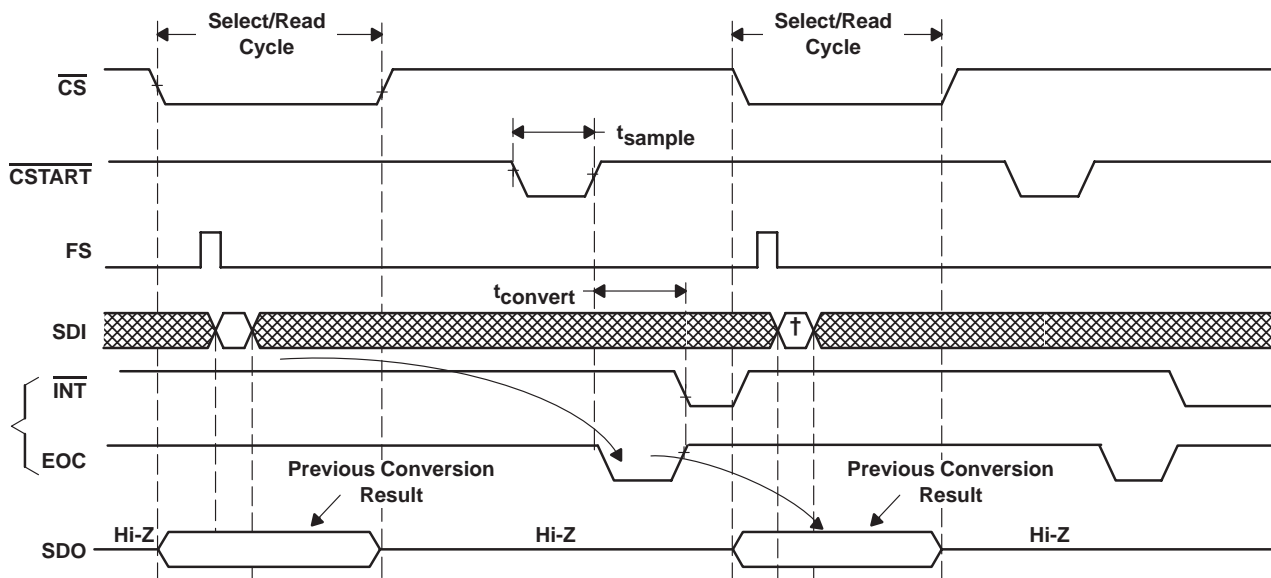


Figure 8. Mode 00 Single Shot/Normal Sampling (FS = 1, FS signal not used)

conversion cycles (continued)



† This is one of the single shot commands. Conversion starts on next rising edge of  $\overline{CSTART}$ .

Figure 9. Mode 00 Single Shot/Extended Sampling (FS signal used, FS pin connected to TMS320 DSP)

$\overline{CS}$  used as FS input

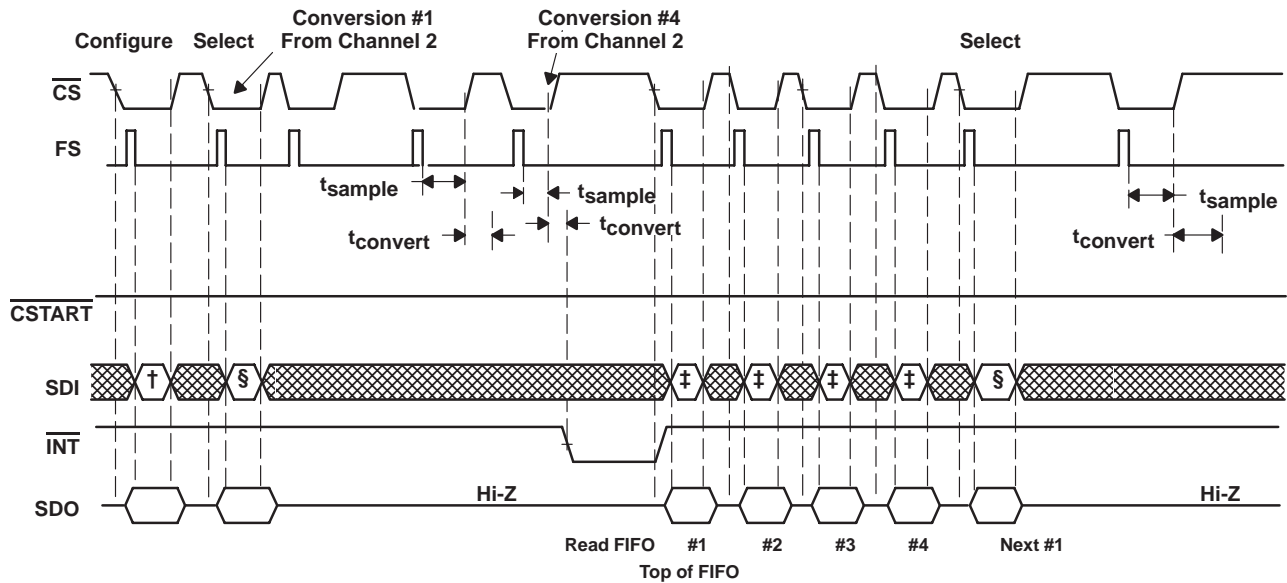
When interfacing with the TMS320 DSP using conversion mode 00, the FSR signal from the DSP may be connected to the  $\overline{CS}$  input if this is the only device on the serial port. This will save one output pin from the DSP. Output data is made available on the rising edge of SCLK and input data is latched on the rising edge of SCLK in this case.

modes using the FIFO: modes 01, 10, 11 timing

Modes 01, 10, and 11 timing are very similar except for how and when the FIFO is read, how the device is configured, and how channel(s) are selected.

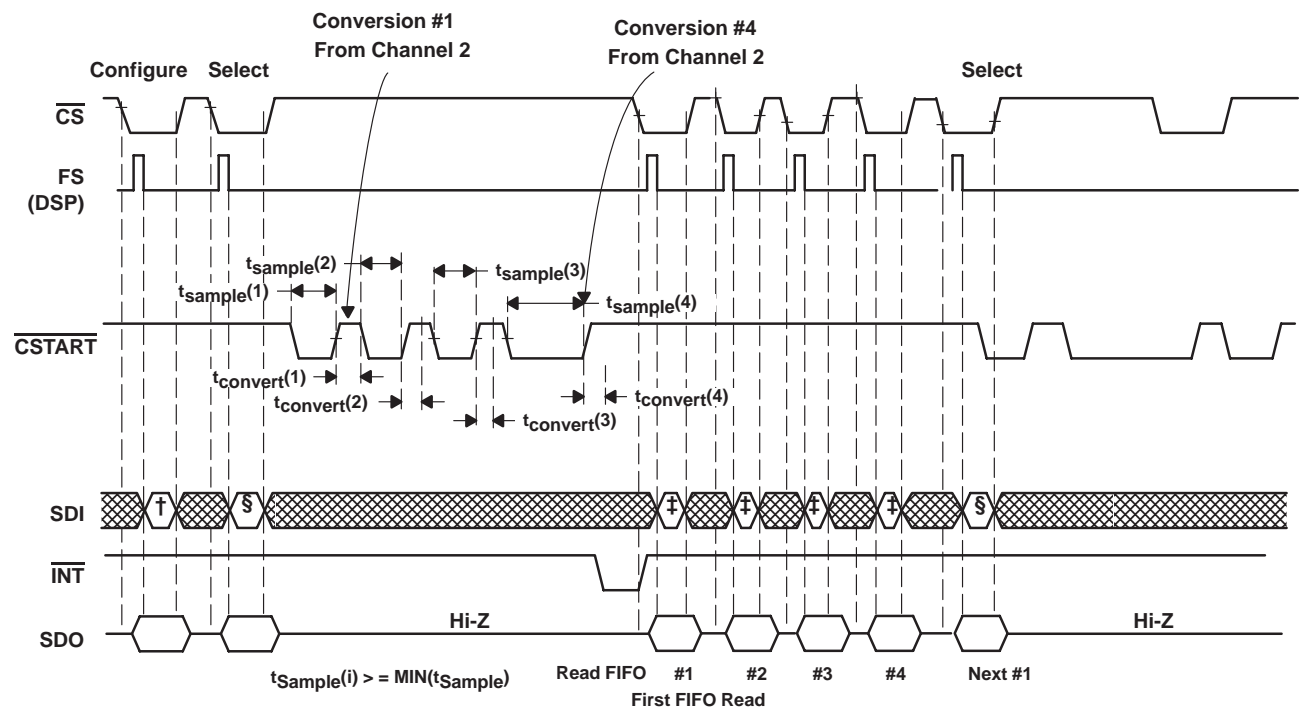
Mode 01 (repeat mode) requires a two-cycle configuration where the first one sets the mode and the second one selects the channel. Once the FIFO is filled up to the threshold programmed, it has the option to either read the FIFO or configure for other modes. Therefore, the sequence is either configure : select : triggered conversions : FIFO read : select : triggered conversions : FIFO read or configure : select : triggered conversions : configure : .... Each configure clears the FIFO and the action that follows the configure command depends on the mode setting of the device.

**modes using the FIFO: modes 01, 10, 11 timing (continued)**



† Command = Configure write for mode 01, FIFO threshold = 1/2  
 ‡ Command = Read FIFO, 1st FIFO read  
 § Command = Select ch2.

**Figure 10. TLV2544/TLV2548 Mode 01 DSP Serial Interface (Conversions triggered by FS)**



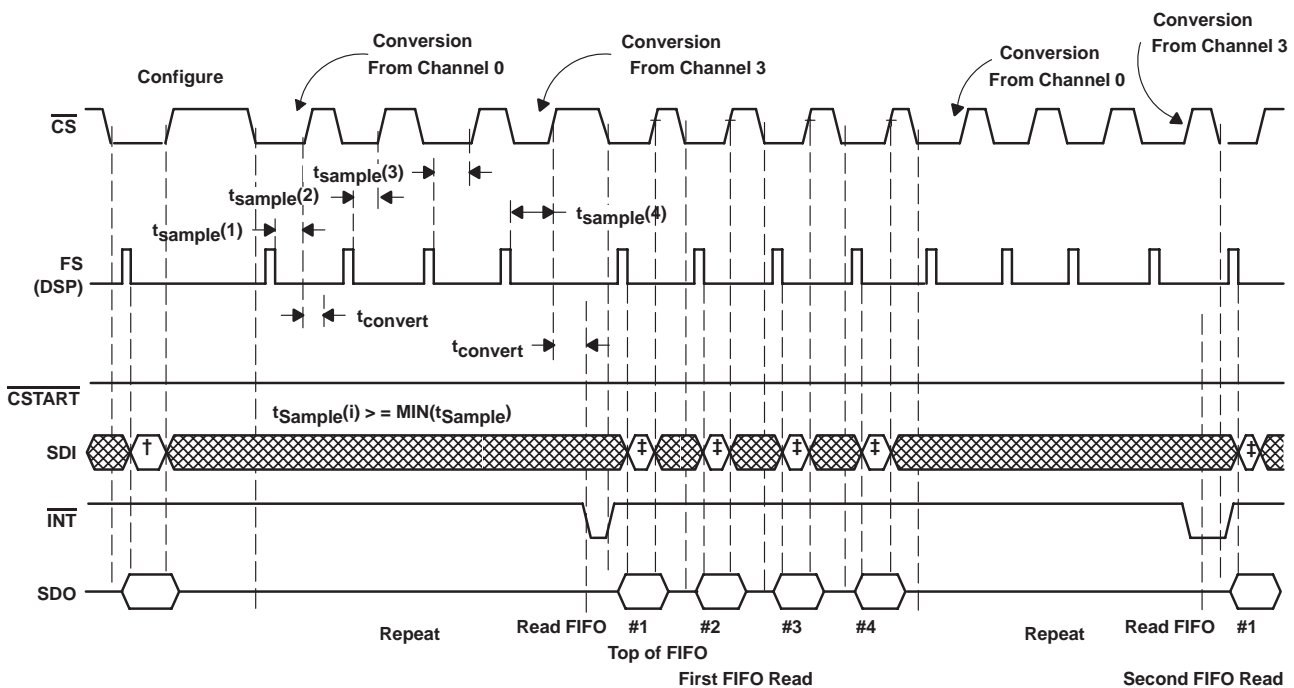
† Command = Configure write for mode 01, FIFO threshold = 1/2  
 ‡ Command = Read FIFO, 1st FIFO read  
 § Command = Select ch2.

**Figure 11. TLV2544/TLV2548 Mode 01  $\mu$ p/DSP Serial Interface (Conversions triggered by CSTART)**

**modes using the FIFO: modes 01, 10, 11 timing (continued)**

Mode 10 (sweep mode) requires reconfiguration at the start of each new sweep sequence. Once the FIFO is filled up to the programmed threshold, the host has the option to either read the FIFO or configure for other modes. Once the FIFO is read, the host must reconfigure the device before the next sweep sequence can be started. So the sequence is either configure : triggered conversions : FIFO read : configure. or configure : triggered conversions : configure : .... Each configure clears the FIFO and the action that follows the configure command depends on the mode setting of the device.

Mode 11 (repeat sweep mode) requires one cycle configuration. This sweep sequence can be repeated without reconfiguration. Once the FIFO is filled up to the programmed threshold, the host has the option to either read the FIFO or configure for other modes. So the sequence is either configure : triggered conversions : FIFO read : triggered conversions : FIFO read ... or configure : triggered conversions : configure : .... Each configure clears the FIFO and the action that follows the configure command depends on the mode setting of the device.

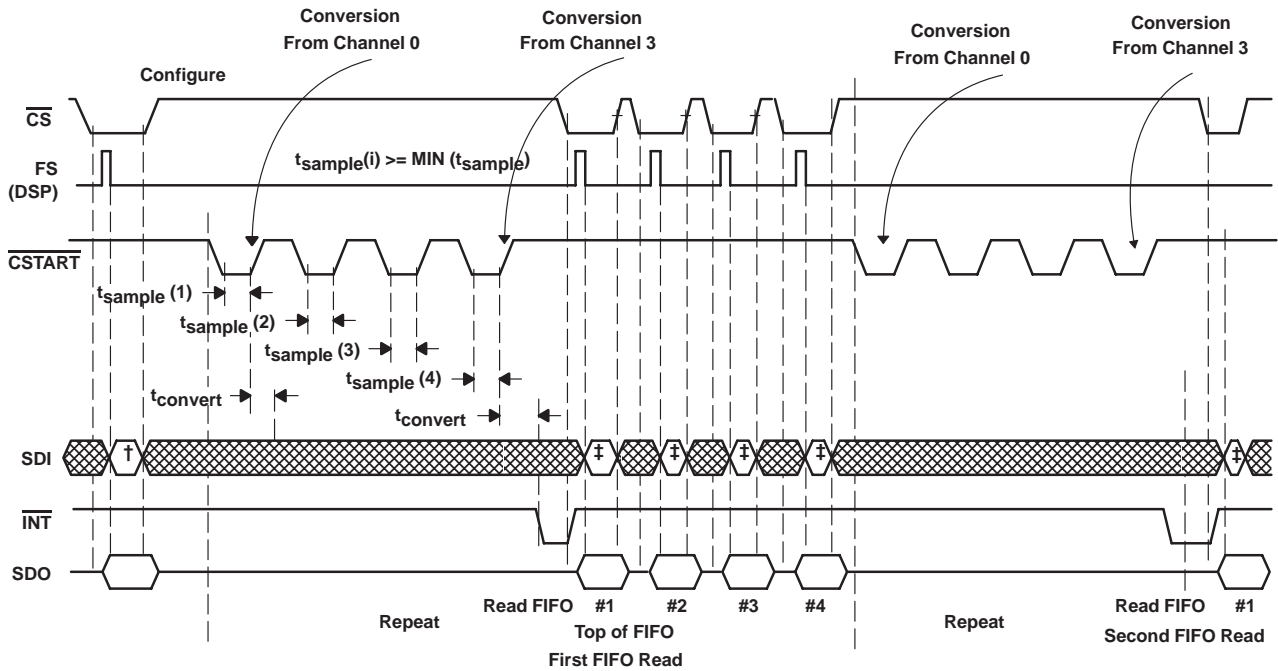


† Command = Configure write for mode 10 or 11, FIFO threshold = 1/2, sweep seq = 0–1–2–3.  
‡ Command = Read FIFO

**Figure 12. TLV2544/TLV2548 Mode 10/11 DSP Serial Interface (Conversions triggered by FS)**

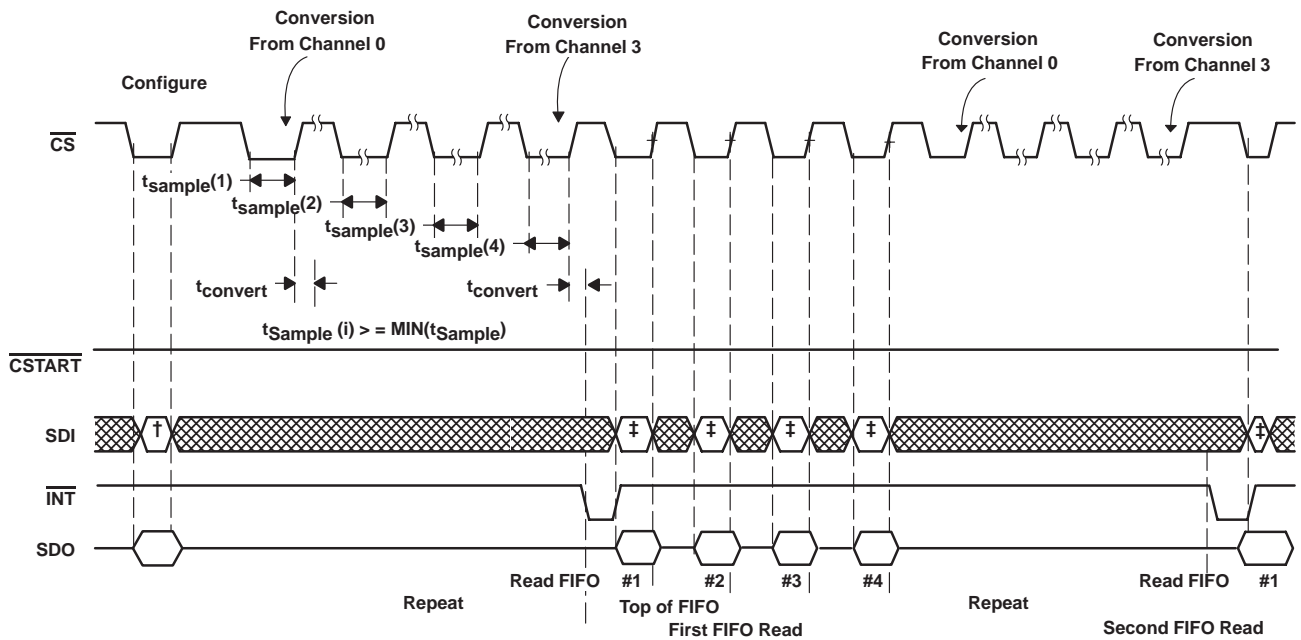


modes using the FIFO: modes 01, 10, 11 timing (continued)



† Command = Configure write for mode 10 or 11, FIFO threshold = 1/2, sweep seq = 0–1–2–3.  
 ‡ Command = Read FIFO

Figure 13. TLV2544/TLV2548 Mode 10/11 DSP Serial Interface (Conversions triggered by CSTART)



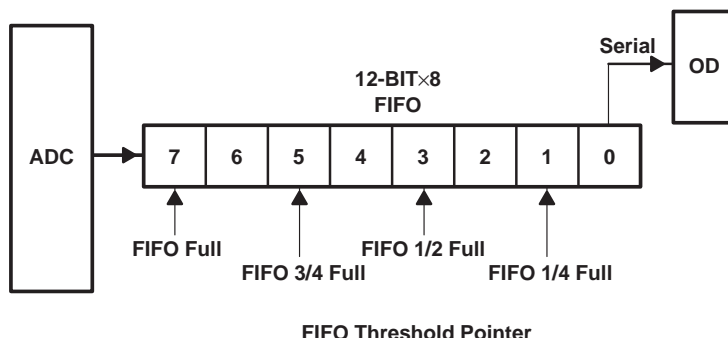
† Command = Configure write for mode 10 or 11, FIFO threshold = 1/2, sweep seq = 0–1–2–3.  
 ‡ Command = Read FIFO

Figure 14. TLV2544/TLV2548 Mode 00/11 µp Serial Interface (Conversions triggered by CS)

**TLV2544, TLV2548**  
**2.7 V TO 5.5 V, 12-BIT, 200 KSPS, 4/8 CHANNEL, LOW POWER,**  
**SERIAL ANALOG-TO-DIGITAL CONVERTERS WITH AUTO POWER DOWN**

SLAS198A –FEBRUARY 1999– REVISED AUGUST 1999

**FIFO operation**



**Figure 15. TLV2544/TLV2548 FIFO**

The device has an 8 layer FIFO that can be programmed for different thresholds. An interrupt is sent to the host after the preprogrammed threshold is reached. The FIFO can be used to store data from either a fixed channel or a series of channels based on a preprogrammed sweep sequence. For example, an application may require eight measurements from channel 3. In this case, the FIFO is filled with 8 data sequentially taken from channel 3. Another application may require data from channel 0, channel 2, channel 4, and channel 6 in an orderly manner. Therefore, the threshold is set for 1/2 and the sweep sequence 0–2–4–6–0–2–4–6 is chosen. An interrupt is sent to the host as soon as all four data are in the FIFO.

**SCLK and conversion speed**

There are multiple ways to adjust the conversion speed.

- The SCLK can be used as the source of the conversion clock.

The onboard OSC is approximately 4 MHz and 13 conversion clocks are required to complete a conversion. This leads to a 3 μs conversion time plus 0.5 μs overhead. The devices can operate with an SCLK up to 20 MHz for the supply voltage range specified. When a more accurate conversion time is desired, the SCLK can be used as the source of the conversion clock. The clock divider provides speed options appropriate for an application where a high speed SCLK is used for faster I/O. The total conversion time is  $13 \times (\text{DIV}/f_{\text{SCLK}})$  where DIV is 1, 2, or 4. For example a 20 MHz SCLK with the divide by 4 option produces a  $\{13 \times (4/20 \text{ M}) + 0.5 \mu\text{s}\} = 3.1 \mu\text{s}$  conversion time. When an external serial clock (SCLK) is used as the source of the conversion clock, the maximum equivalent conversion clock ( $f_{\text{SCLK}}/\text{DIV}$ ) should not exceed 6 MHz.

- Auto power down can be used. This mode is always on. If the device is not accessed (by  $\overline{\text{CS}}$  or  $\overline{\text{CSTART}}$ ), the converter is powered down to save power. The built-in reference is left on in order to quickly resume operation within one half SCLK period. This provides unlimited choices to trade speed with power savings.

**reference voltage**

The device has a built-in reference with a programmable level of 2 V or 4 V. If the internal reference is used, REFP is set to 2 V or 4 V and REFM is set to 0 V. An external reference can also be used through two reference input pins, REFP and REFM, if the reference source is programmed as external. The voltage levels applied to these pins establish the upper and lower limits of the analog inputs to produce a full-scale and zero-scale reading respectively. The values of REFP, REFM, and the analog input should not exceed the positive supply or be lower than GND consistent with the specified absolute maximum ratings. The digital output is at full scale when the input signal is equal to or higher than REFP and at zero when the input signal is equal to or lower than REFM.



### FIFO operation (continued)

#### power down

Writing 8000h to the device puts the device into a software power down state. For a hardware powerdown, the dedicated  $\overline{\text{PWDN}}$  pin provides another way to power down the device asynchronously. These two power down modes power down the entire device including the built-in reference to save power. It requires 20 ms to resume from either a software or hardware power down.

Auto power down mode is always enabled. This mode maintains the built-in reference if an internal reference is used so resumption is fast enough to be used between cycles.

The configuration register is not affected by any of the power down modes but the sweep operation sequence has to be started over again. All FIFO contents are cleared by the power down modes.

#### power up and initialization

Initialization requires:

1. Determine processor type by writing A000h to the TLV2544/48
2. Configure the device

The first conversion after power up or resuming from power down is not valid.

### absolute maximum ratings over operating free-air temperature (unless otherwise noted)†

Supply voltage range, GND to $V_{CC}$	–0.3 V to 6.5 V
Analog input voltage range	–0.3 V to $V_{CC} + 0.3$ V
Reference input voltage	$V_{CC} + 0.3$ V
Digital input voltage range	–0.3 V to $V_{CC} + 0.3$ V
Operating virtual junction temperature range, $T_J$	–40°C to 150°C
Operating free-air temperature range, $T_A$ : TLV2544/48C	0°C to 70°C
TLV2544/48I	–40°C to 85°C
Storage temperature range, $T_{stg}$	–65°C to 150°C
Lead temperature 1,6 mm (1/16 inch) from case for 10 seconds	260°C

† Stresses beyond those listed under “absolute maximum ratings” may cause permanent damage to the device. These are stress ratings only, and functional operation of the device at these or any other conditions beyond those indicated under “recommended operating conditions” is not implied. Exposure to absolute-maximum-rated conditions for extended periods may affect device reliability.

### recommended operating conditions

	MIN	NOM	MAX	UNIT
Supply voltage, $V_{CC}$	2.7	3.3	5.5	V
Positive external reference voltage input, $V_{REFP}$ (see Note 1)	2		$V_{CC}$	V
Negative external reference voltage input, $V_{REFM}$ (note Note 1)	0		2	V
Differential reference voltage input, $V_{REFP} - V_{REFM}$ (see Note 1)	2	$V_{CC}$	$V_{CC}+0.2$	V
Analog input voltage (see Note 1)	0		$V_{CC}$	V
High level control input voltage, $V_{IH}$	2.1			V
Low-level control input voltage, $V_{IL}$			0.6	V
Rise time, for $\overline{\text{CS}}$ , $\overline{\text{CSTART}}$ SDI at 0.5 pF, $t_r(I/O)$			4.76	ns
Fall time, for $\overline{\text{CS}}$ , $\overline{\text{CSTART}}$ SDI at 0.5 pF, $t_f(I/O)$			2.91	ns
Rise time, for $\overline{\text{INT}}$ , EOC, SDO at 30 pF, $t_r(\text{Output})$			2.43	ns
Fall time, for $\overline{\text{INT}}$ , EOC, SDO at 30 pF, $t_f(\text{Output})$			2.3	ns

NOTE 1: When binary output format is used, analog input voltages greater than that applied to REFP convert as all ones (111111111111), while input voltages less than that applied to REFM convert as all zeros (000000000000). The device is functional with reference down to 2 V ( $V_{REFP} - V_{REFM} - 1$ ); however, the electrical specifications are no longer applicable.



# TLV2544, TLV2548

## 2.7 V TO 5.5 V, 12-BIT, 200 KSPS, 4/8 CHANNEL, LOW POWER, SERIAL ANALOG-TO-DIGITAL CONVERTERS WITH AUTO POWER DOWN

SLAS198A –FEBRUARY 1999– REVISED AUGUST 1999

### recommended operating conditions (continued)

	MIN	NOM	MAX	UNIT	
Transition time, for FS, SCLK, SDI, $t_t(\text{SCLK})$	0.5			SCLK	
Setup time, CS falling edge before SCLK rising edge (FS=1) or before SCLK falling edge (when FS is active), $t_{su}(\text{CS-SCLK})$	0.5			SCLK	
Hold time, CS rising edge after SCLK rising edge (FS=1) or after SCLK falling edge (when FS is active), $t_h(\text{SCLK-CS})$	5			ns	
Delay time, delay from CS falling edge to FS rising edge, $t_d(\text{CSL-FSH})$	0.5		7	SCLKs	
Delay time, delay time from 16th SCLK falling edge to CS rising edge (FS is active), $t_d(\text{SCLK16L-CSH})$	0.5			SCLKs	
Setup time, FS rising edge before SCLK falling edge, $t_{su}(\text{FSH-SCLKL})$	0.25		0.75	SCLKs	
Hold time, FS hold high after SCLK falling edge, $t_h(\text{FSH-SCLKL})$	0.25		0.75	SCLKs	
Pulse width, CS high time, $t_{WH}(\text{CS})$	100			ns	
SCLK cycle time, $V_{CC} = 2.7 \text{ V to } 3.6 \text{ V}$ , $t_c(\text{SCLK})$	67			ns	
SCLK cycle time, $V_{CC} = 4.5 \text{ V to } 5.5 \text{ V}$ , $t_c(\text{SCLK})$	50			ns	
Pulse width, SCLK low time, $t_{WL}(\text{SCLK})$	20		30	ns	
Pulse width, SCLK high time, $t_{WH}(\text{SCLK})$	20		30	ns	
Setup time, SDI valid before falling edge of SCLK (FS is active) or the rising edge of SCLK (FS=1), $t_{su}(\text{DI-SCLK})$	25			ns	
Hold time, SDI hold valid after falling edge of SCLK (FS is active) or the rising edge of SCLK (FS=1), $t_h(\text{DI-SCLK})$	5			ns	
Delay time, delay from CS falling edge to SDO valid, $t_d(\text{CSL-DOV})$	1		25	ns	
Delay time, delay from FS falling edge to SDO valid, $t_d(\text{FSL-DOV})$	1		25	ns	
Delay time, delay from SCLK rising edge (FS is active) or SCLK falling edge (FS=1) SDO valid, $t_d(\text{SCLK-DOV})$	1		25	ns	
Delay time, delay from CS rising edge to SDO 3-stated, $t_d(\text{CSH-DOZ})$	1		25	ns	
Delay time, delay from 16th SCLK falling edge (FS is active) or the 16th rising edge (FS=1) to EOC falling edge, $t_d(\text{SCLK-EOCL})$	1		25	ns	
Delay time, delay from EOC rising edge to SDO 3-stated if CS is low, $t_d(\text{EOCH-DOZ})$	1		50	ns	
Delay time, delay from 16th SCLK rising edge to INT falling edge (FS =1) or from the 16th falling edge SCLK to INT falling edge (when FS active), $t_d(\text{SCLK-INTL})$			3.5	$\mu\text{s}$	
Delay time, delay from CS falling edge to INT rising edge, $t_d(\text{CSL-INTH})$	1		50	ns	
Delay time, delay from CS rising edge to CSTART falling edge, $t_d(\text{CSH-CSTARTL})$	100			ns	
Delay time, delay from CSTART rising edge to EOC falling edge, $t_d(\text{CSTARTH-EOCL})$	1		50	ns	
Pulse width, CSTART low time, $t_{WL}(\text{CSTART})$	0.8			$\mu\text{s}$	
Delay time, delay from CS rising edge to EOC rising edge, $t_d(\text{CSH-EOCH})$	1		50	ns	
Delay time, delay from CSTART rising edge to CSTART falling edge, $t_d(\text{CSTARTH-CSTARTL})$	3.6			$\mu\text{s}$	
Delay time, delay from CSTART rising edge to INT falling edge, $t_d(\text{CSTARTH-INTL})$	3.5			$\mu\text{s}$	
Operating free-air temperature, $T_A$		TLV2544C/TLV2548C	0	70	$^{\circ}\text{C}$
		TLV2544I/TLV2548I	-40	85	

NOTE 2: This is the time required for the clock input signal to fall from  $V_{IHmax}$  or to rise from  $V_{ILmax}$  to  $V_{IHmin}$ . In the vicinity of normal room temperature, the devices function with input clock transition time as slow as  $1 \mu\text{s}$  for remote data-acquisition applications where the sensor and A/D converter are placed several feet away from the controlling microprocessor.



TLV2544, TLV2548  
2.7 V TO 5.5 V, 12-BIT, 200 KSPS, 4/8 CHANNEL, LOW POWER,  
SERIAL ANALOG-TO-DIGITAL CONVERTERS WITH AUTO POWER DOWN

SLAS198A –FEBRUARY 1999– REVISED AUGUST 1999

**electrical characteristics over recommended operating free-air temperature range,  $V_{CC} = V_{REFP} = 2.7$  V to 5.5 V, SCLK frequency = 20 MHz at 5 V, 15 MHz at 3 V (unless otherwise noted)**

PARAMETER		TEST CONDITIONS	MIN	TYP†	MAX	UNIT
V <sub>OH</sub>	High-level output voltage	V <sub>CC</sub> = 5.5 V, I <sub>OH</sub> = -0.2 mA at 30 pF load	2.4			V
		V <sub>CC</sub> = 2.7 V, I <sub>OH</sub> = -20 μA at 30 pF load	V <sub>CC</sub> -0.2			
V <sub>OL</sub>	Low-level output voltage	V <sub>CC</sub> = 5.5 V, I <sub>OL</sub> = 0.8 mA at 30 pF load	0.4			V
		V <sub>CC</sub> = 2.7 V, I <sub>OL</sub> = 20 μA at 30 pF load	0.1			
I <sub>OZ</sub>	Off-state output current (high-impedance-state)	V <sub>O</sub> = V <sub>CC</sub>	C <sub>S</sub> = V <sub>CC</sub>	1	2.5	μA
		V <sub>O</sub> = 0		-1	-2.5	
I <sub>IH</sub>	High-level input current	V <sub>I</sub> = V <sub>CC</sub>	0.005	2.5	μA	
I <sub>IL</sub>	Low-level input current	V <sub>I</sub> = 0 V	-0.005	2.5	μA	
I <sub>CC</sub>	Operating supply current, normal sampling (short)	C <sub>S</sub> at 0 V, Ext ref	V <sub>CC</sub> = 4.5 V to 5.5 V	1.3		mA
			V <sub>CC</sub> = 2.7 V to 3.3 V	0.95		
		C <sub>S</sub> at 0 V, Int ref	V <sub>CC</sub> = 4.5 V to 5.5 V	2		mA
			V <sub>CC</sub> = 2.7 V to 3.3 V	1.6		
I <sub>CC</sub>	Operating supply current, extended sampling	C <sub>S</sub> at 0 V, Ext ref	V <sub>CC</sub> = 4.5 V to 5.5 V	1.9		mA
			V <sub>CC</sub> = 2.7 V to 3.3 V	1.5		
		C <sub>S</sub> at 0 V, Int ref	V <sub>CC</sub> = 4.5 V to 5.5 V	2		mA
			V <sub>CC</sub> = 2.7 V to 3.3 V	1.6		
Internal reference supply current		C <sub>S</sub> at 0 V, V <sub>CC</sub> = 4.5 V to 5.5 V	0.8			mA
		V <sub>CC</sub> = 2.7 V to 3.3 V	0.6			
I <sub>CC(PD)</sub>	Power-down supply current	For all digital inputs, 0 ≤ V <sub>I</sub> ≤ 0.3 V or V <sub>I</sub> ≥ V <sub>CC</sub> - 0.3 V, SCLK = 0, V <sub>CC</sub> = 4.5 V to 5.5 V, Ext clock	0.1	1		μA
		V <sub>CC</sub> = 2.7 V to 3.3 V, Ext clock	0.1	1		
I <sub>CC(AUTOPWDN)</sub>	Auto power down current	For all digital inputs, 0 ≤ V <sub>I</sub> ≤ 0.3 V or V <sub>I</sub> ≥ V <sub>CC</sub> - 0.3 V, SCLK = 0, V <sub>CC</sub> = 4.5 V to 5.5 V, Ext clock, Ext ref	1‡			μA
		V <sub>CC</sub> = 2.7 V to 3.3 V, Ext ref, Ext clock	1§			
Selected channel leakage current		Selected channel at V <sub>CC</sub>	1			μA
		Selected channel at 0 V	-1			
Maximum static analog reference current into REFP (use external reference)		V <sub>REFP</sub> = V <sub>CC</sub> = 5.5 V, V <sub>REFM</sub> = GND	1			μA
C <sub>i</sub>	Input capacitance	Analog inputs	45	50		pF
		Control Inputs	5	25		
Z <sub>i</sub>	Input MUX ON resistance	V <sub>CC</sub> = 5.5 V	500			Ω
		V <sub>CC</sub> = 2.7 V	600			

† All typical values are at V<sub>CC</sub> = 5 V, T<sub>A</sub> = 25°C.

‡ 800 μA if internal reference is used, 165 μA if internal clock is used.

§ 800 μA if internal reference is used, 116 μA if internal clock is used.



# TLV2544, TLV2548

## 2.7 V TO 5.5 V, 12-BIT, 200 KSPS, 4/8 CHANNEL, LOW POWER, SERIAL ANALOG-TO-DIGITAL CONVERTERS WITH AUTO POWER DOWN

SLAS198A –FEBRUARY 1999– REVISED AUGUST 1999

### ac specifications

PARAMETER		TEST CONDITIONS	MIN	TYP	MAX	UNIT
SINAD	Signal-to-noise ratio +distortion	$f_l = 12$ kHz at 200 KSPS	69	71		dB
THD	Total harmonic distortion	$f_l = 12$ kHz at 200 KSPS		-82	-76	dB
ENOB	Effective number of bits	$f_l = 12$ kHz at 200 KSPS		11.6		Bits
SFDR	Spurious free dynamic range	$f_l = 12$ kHz at 200 KSPS	-91	-84	-75	dB
<b>Analog input</b>						
Full power bandwidth, -3 dB				1		MHz
Full-power bandwidth, -1 dB				500		kHz

### reference specifications (0.1 $\mu$ F and 10 $\mu$ F between REFP and REFM pins)

PARAMETER	TEST CONDITIONS		MIN	TYP	MAX	UNIT
Reference input voltage, REFP	$V_{CC} = 2.7$ V to 5.5 V				$V_{CC}$	V
Input impedance	$V_{CC} = 5.5$ V	CS = 1, SCLK = 0, (off)	100			M $\Omega$
		CS = 0, SCLK = 20 MHz (on)	20	25		k $\Omega$
	$V_{CC} = 2.7$ V	CS = 1, SCLK = 0 (off)	100			M $\Omega$
		CS = 0, SCLK = 20 MHz (on)	20	25		k $\Omega$
Input voltage difference, REFP – REFM	$V_{CC} = 2.7$ V to 5.5 V		2		$V_{CC}$	V
Internal reference voltage, REFP – REFM	$V_{CC} = 5.5$ V	VREFSELECT = 4 V	3.85	4	4.15	V
	$V_{CC} = 5.5$ V	VREFSELECT = 2 V	1.925	2	2.075	V
	$V_{CC} = 2.7$ V	VREFSELECT = 2 V	1.925	2	2.075	V
Internal reference start up time	$V_{CC} = 5.5$ V, 2.7 V	10 $\mu$ F		20		ms
Reference temperature coefficient	$V_{CC} = 2.7$ V to 5.5 V			16	40	PPM/ $^{\circ}$ C



**TLV2544, TLV2548**  
**2.7 V TO 5.5 V, 12-BIT, 200 KSPS, 4/8 CHANNEL, LOW POWER,**  
**SERIAL ANALOG-TO-DIGITAL CONVERTERS WITH AUTO POWER DOWN**

SLAS198A –FEBRUARY 1999– REVISED AUGUST 1999

**operating characteristics over recommended operating free-air temperature range,  $V_{CC} = V_{REFP} = 2.7$  V to 5.5 V, SCLK frequency = 20 MHz (unless otherwise noted)**

PARAMETER		TEST CONDITIONS	MIN	TYP†	MAX	UNIT	
Integral linearity error (INL) (see Note 4)					±1	LSB	
Differential linearity error (DNL)		See Note 3			±1	LSB	
$E_O$	Offset error (see Note 5)	See Note 3			±1.5	LSB	
$E_G$	Gain error (see Note 5)	See Note 3		±1.1	±1.6	LSB	
$E_T$	Total unadjusted error (see Note 6)				±2	LSB	
Self-test output code (see Table 1 and Note 7)		SDI = B000h		800h (2048D)			
		SDI = C000h		000h (0D)			
		SDI = D000h		FFFh (4095D)			
$t_{conv}$	Conversion time	Internal OSC	OSC = 4 MHz to 6 MHz	2.17	2.6	3.6	μs
		External SCLK			(13XDIV) $f_{SCLK}$		
$t_{sample}$	Sampling time	At 1 kΩ		600			ns
$t_{t(I/O)}$	Transition time for EOC, $\overline{INT}$				50		ns
$t_{t(CLK)}$	Transition time for SDI, SDO				25		ns

† All typical values are at  $T_A = 25^\circ\text{C}$ .

- NOTES: 3. Analog input voltages greater than that applied to REFP convert as all ones (1111111111), while input voltages less than that applied to REFM convert as all zeros (0000000000). The device is functional with reference down to 2 V ( $V_{REFP} - V_{REFM}$ ); however, the electrical specifications are no longer applicable.
4. Linear error is the maximum deviation from the best straight line through the A/D transfer characteristics.
5. Zero error is the difference between 00000000000 and the converted output for zero input voltage: full-scale error is the difference between 11111111111 and the converted output for full-scale input voltage.
6. Total unadjusted error comprises linearity, zero, and full-scale errors.
7. Both the input data and the output codes are expressed in positive logic.



PARAMETER MEASUREMENT INFORMATION

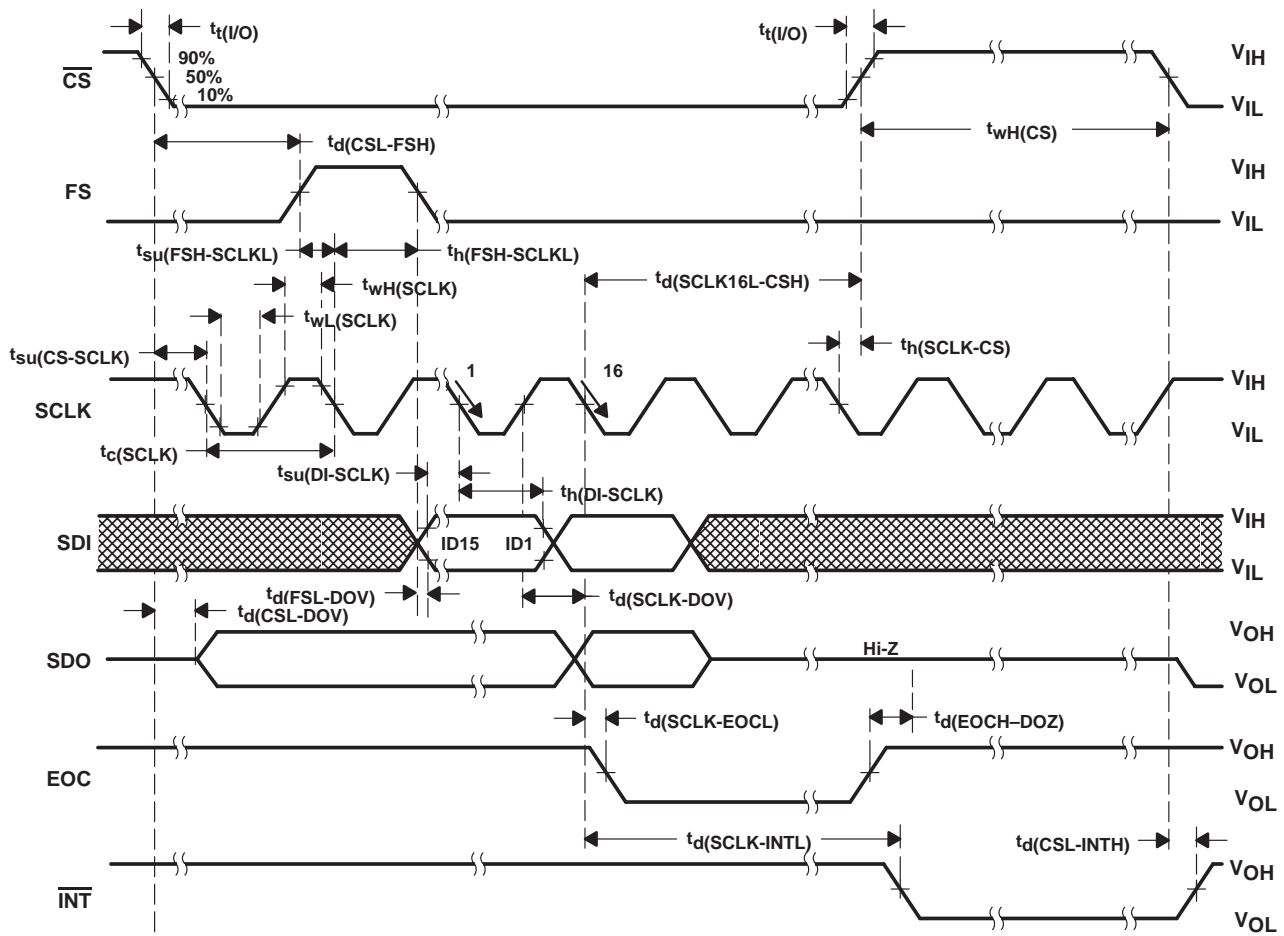


Figure 16. Critical Timing (Normal Sampling, FS is active)



**PARAMETER MEASUREMENT INFORMATION**

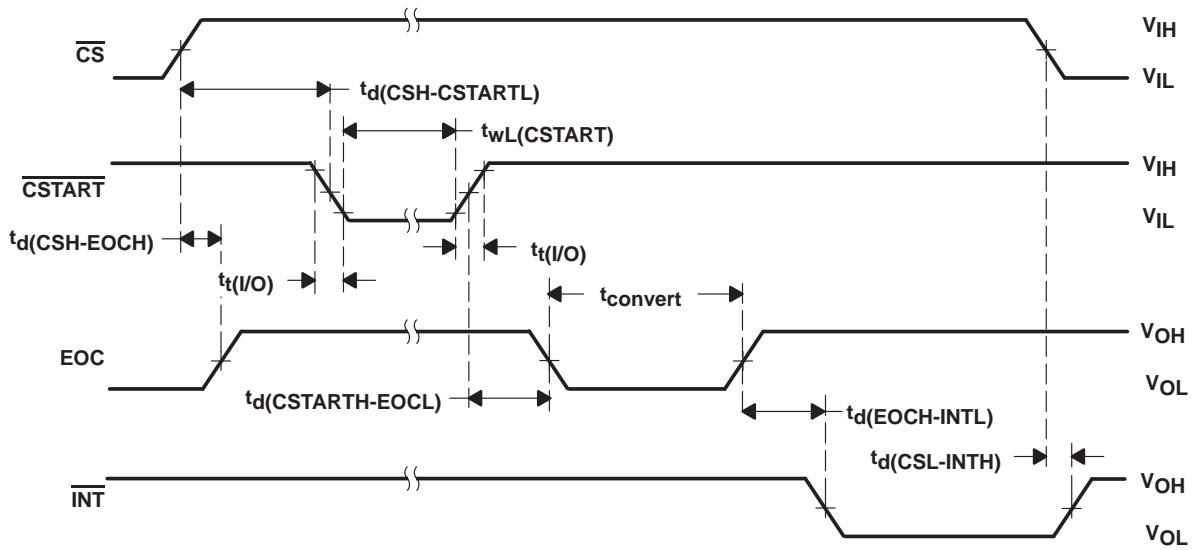


Figure 17. Critical Timing (Extended Sampling, Single Shot)

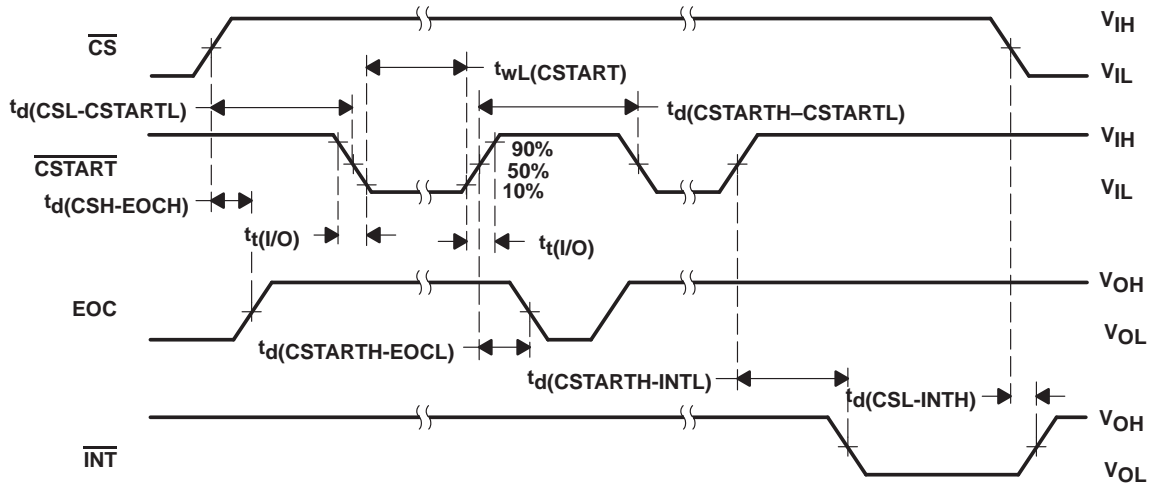


Figure 18. Critical Timing (Extended Sampling, Repeat/Sweep/Repeat Sweep)

PARAMETER MEASUREMENT INFORMATION

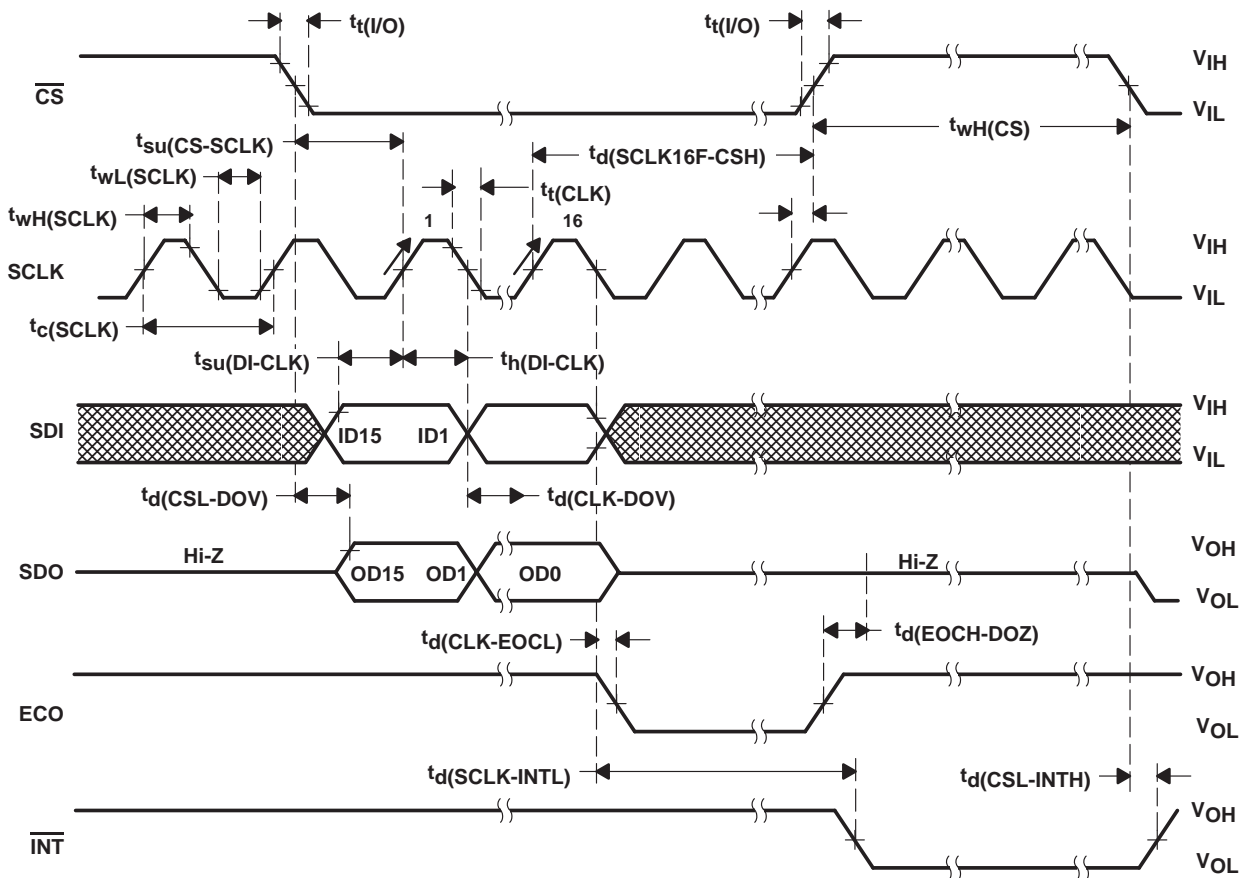
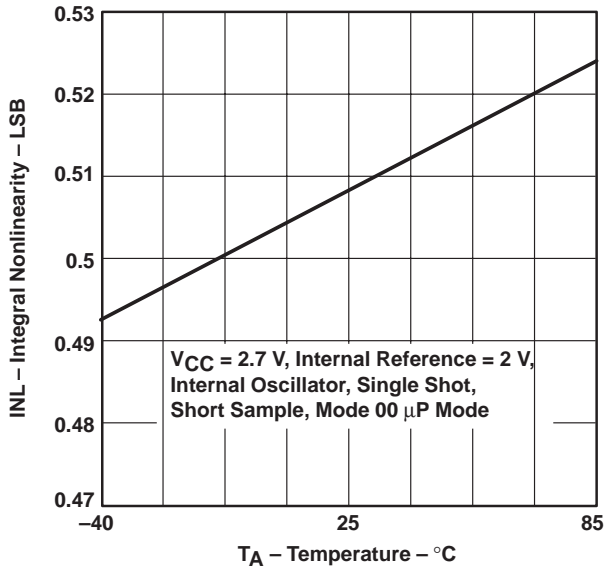


Figure 19. Critical Timing (Normal Sampling, FS = 1)

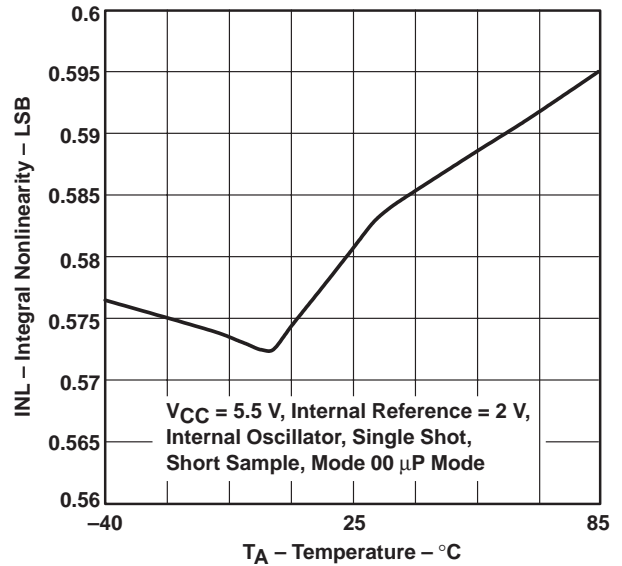
**TYPICAL CHARACTERISTICS**

**INTEGRAL NONLINEARITY  
 VS  
 TEMPERATURE**



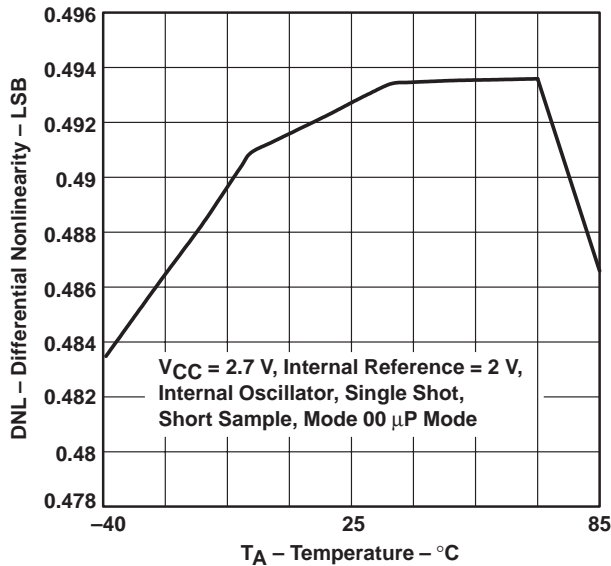
**Figure 20**

**INTEGRAL NONLINEARITY  
 VS  
 TEMPERATURE**



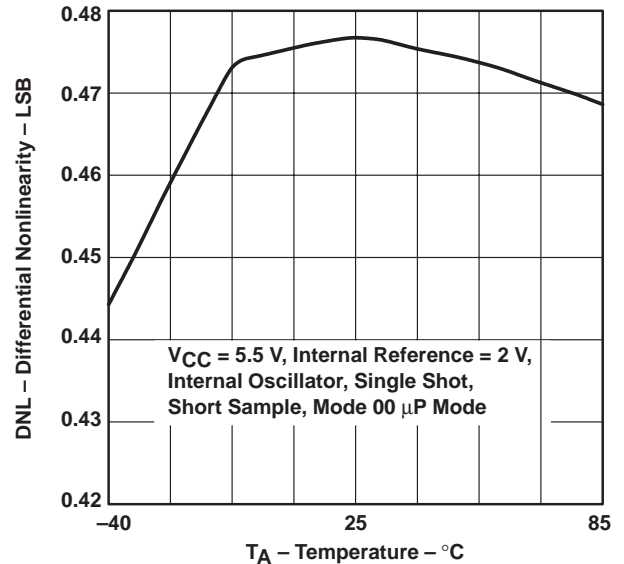
**Figure 21**

**DIFFERENTIAL NONLINEARITY  
 VS  
 TEMPERATURE**



**Figure 22**

**DIFFERENTIAL NONLINEARITY  
 VS  
 TEMPERATURE**



**Figure 23**

TYPICAL CHARACTERISTICS

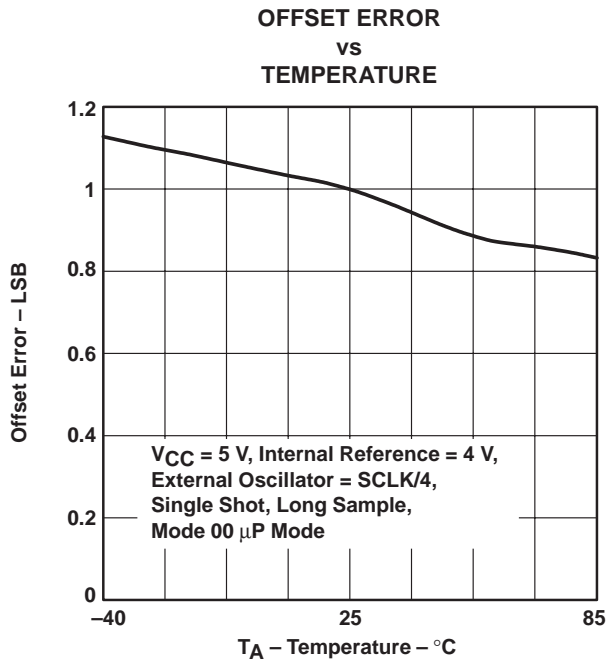


Figure 24

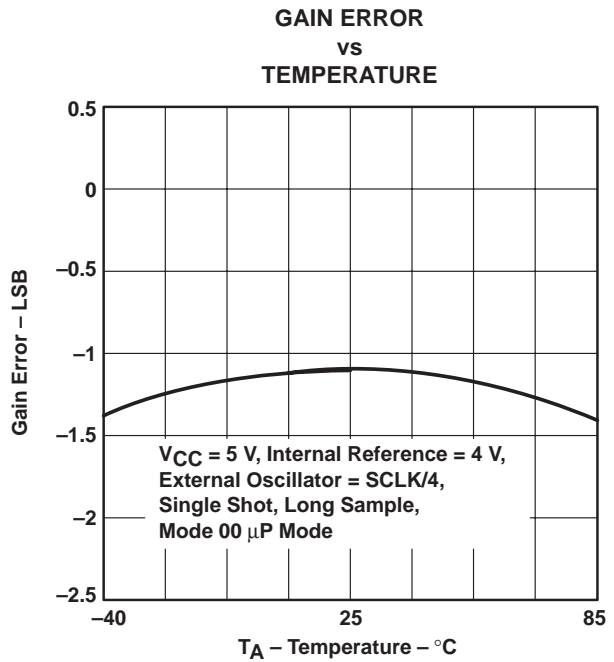


Figure 25

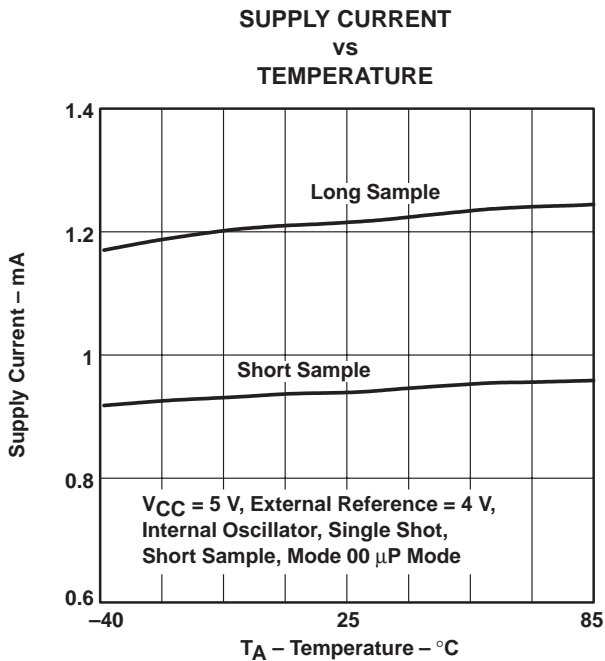


Figure 26

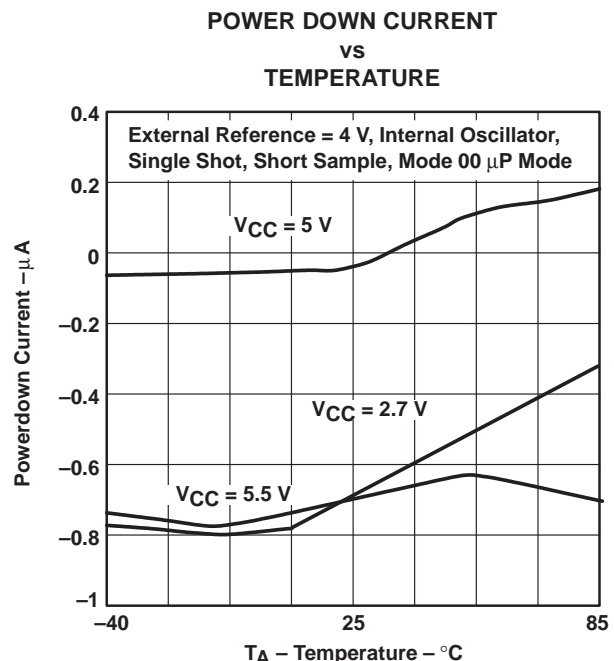


Figure 27

TYPICAL CHARACTERISTICS

INTEGRAL NONLINEARITY  
VS  
SAMPLES

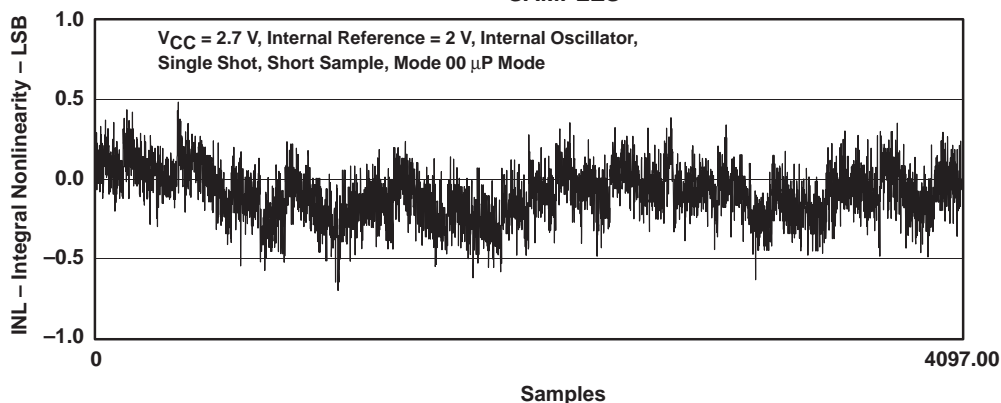


Figure 28

DIFFERENTIAL NONLINEARITY  
VS  
SAMPLES

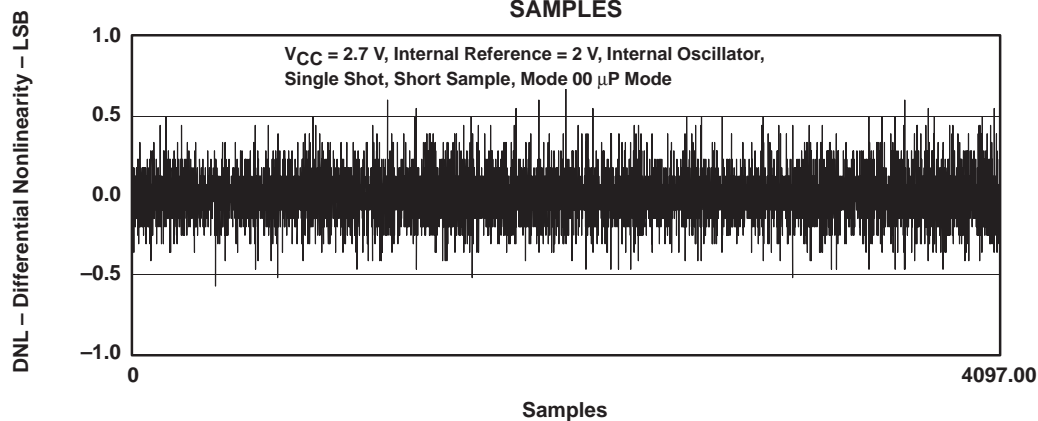


Figure 29

TYPICAL CHARACTERISTICS

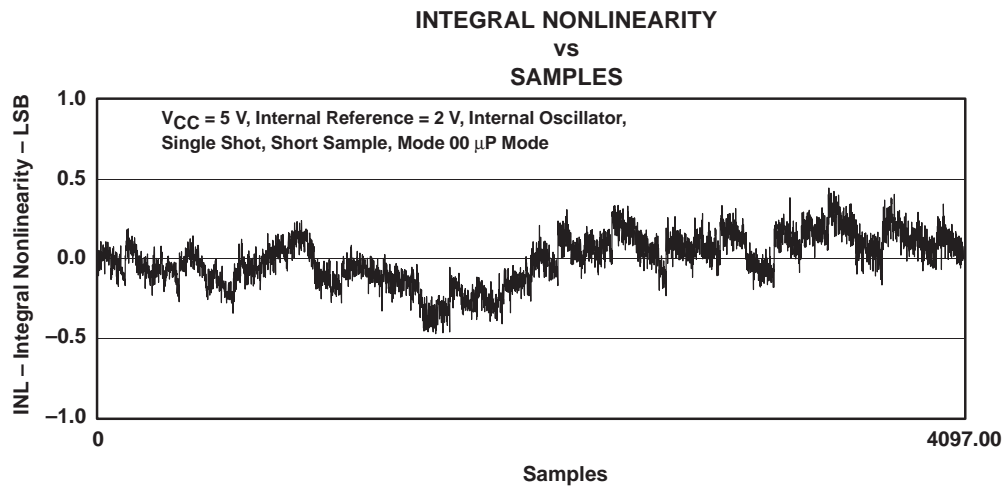


Figure 30

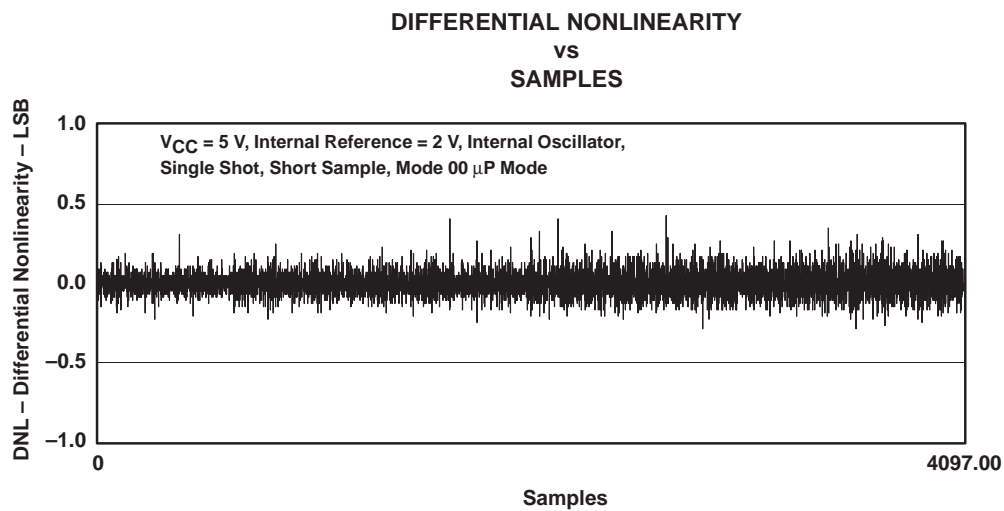


Figure 31

TYPICAL CHARACTERISTICS

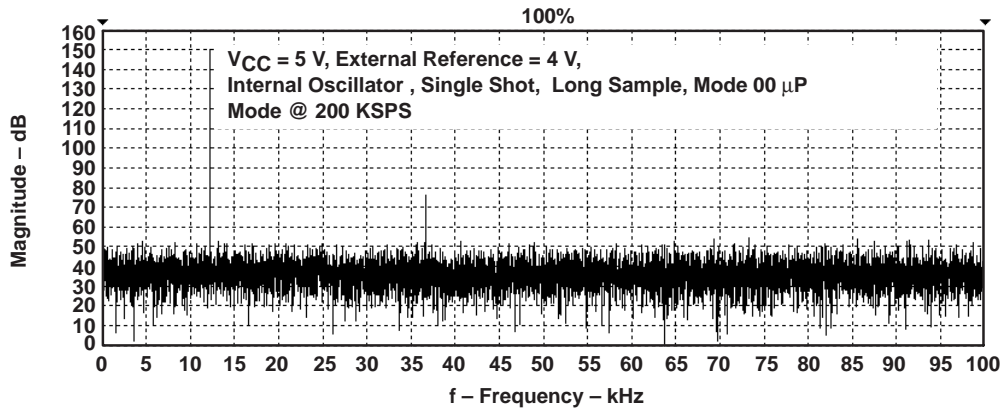


Figure 32

TYPICAL CHARACTERISTICS

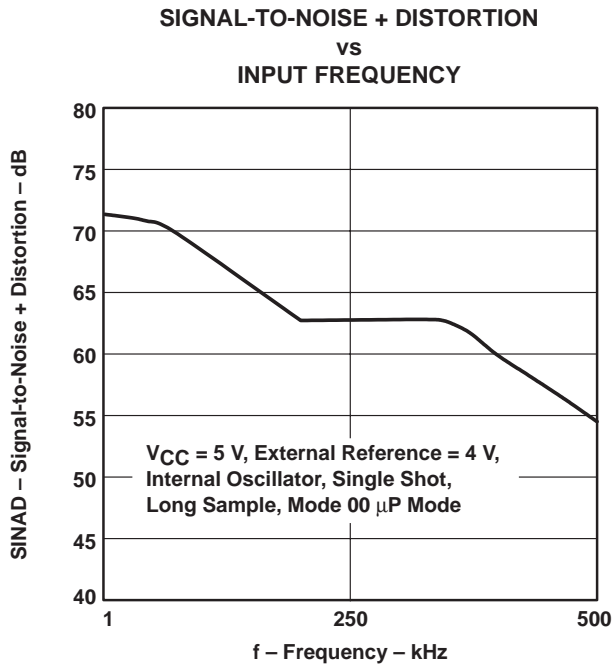


Figure 33

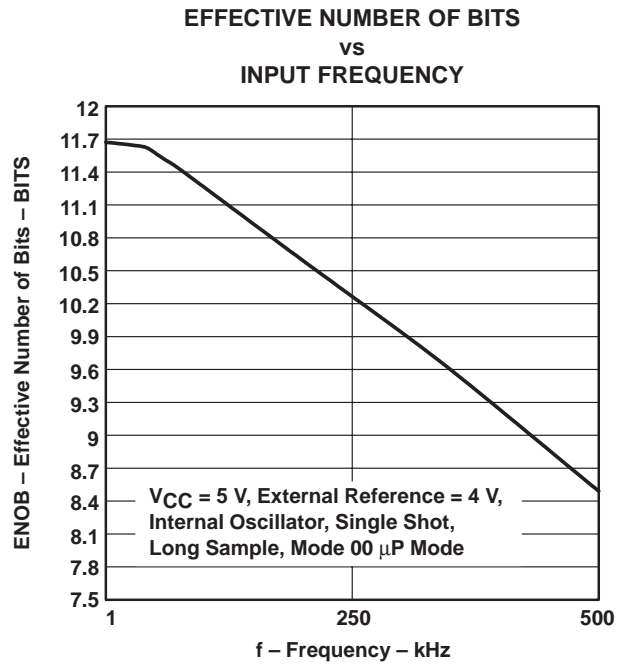


Figure 34

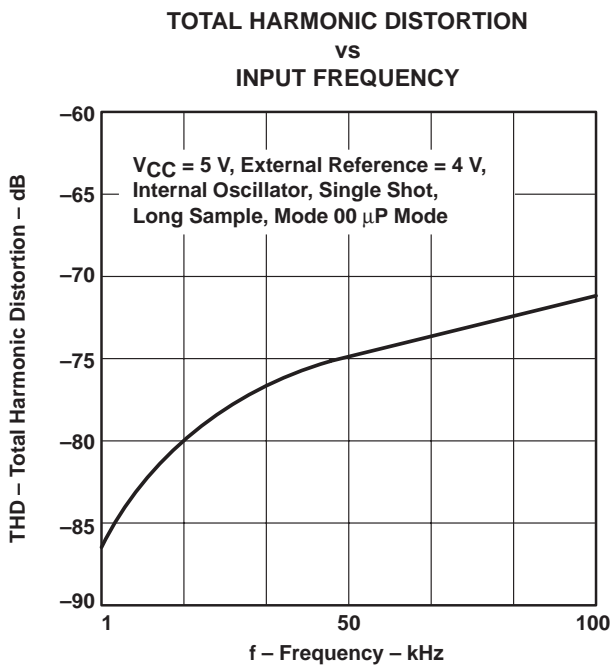


Figure 35

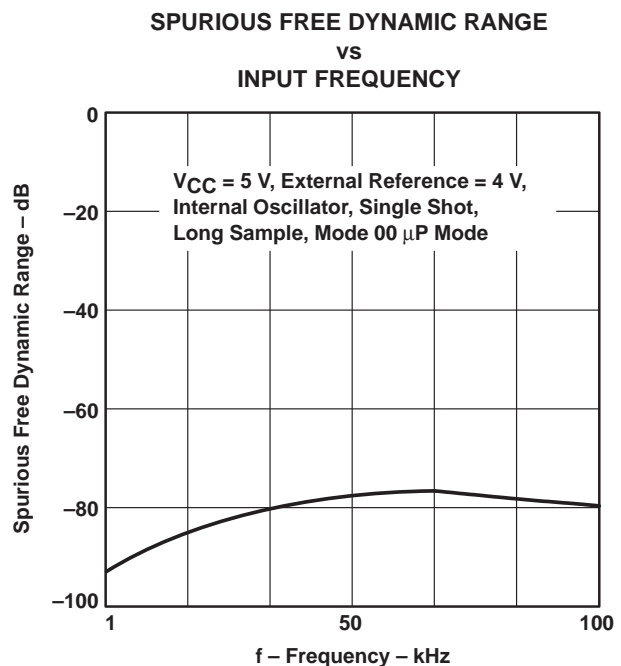
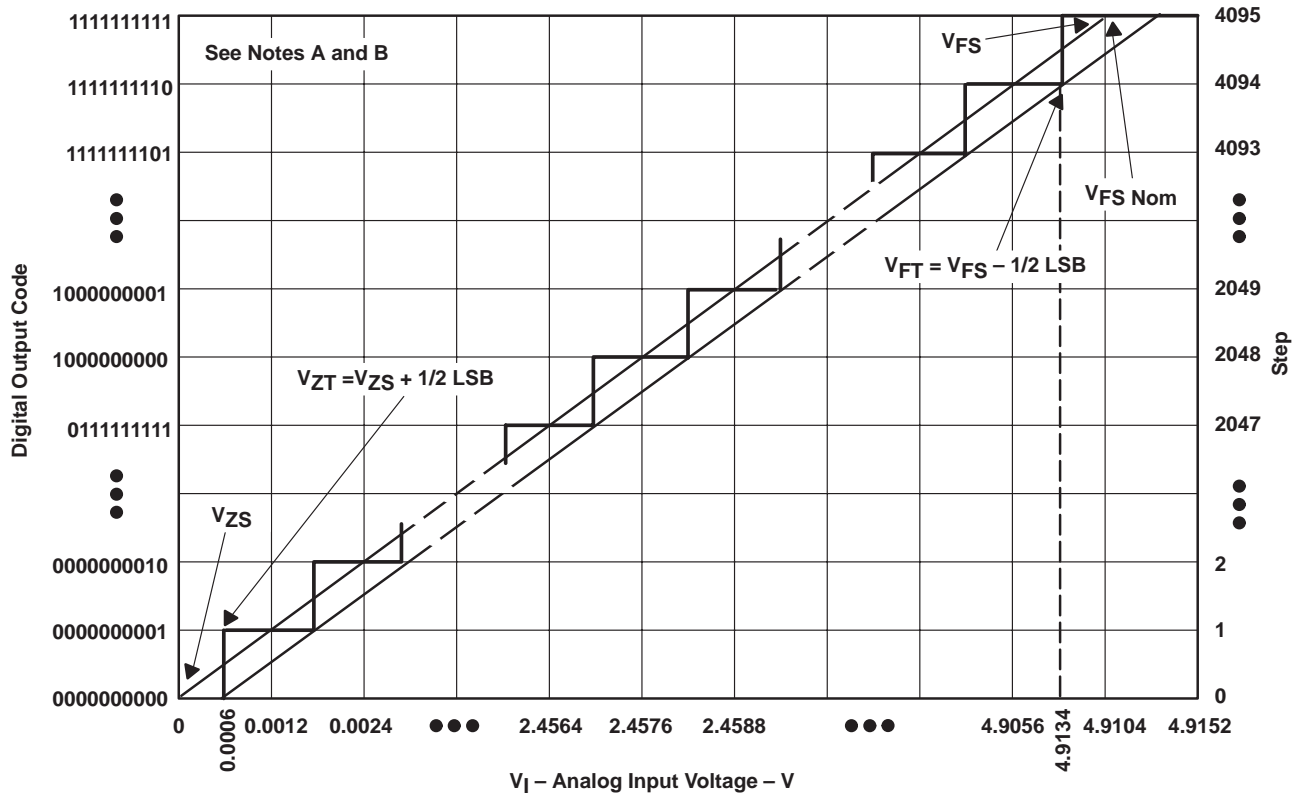


Figure 36

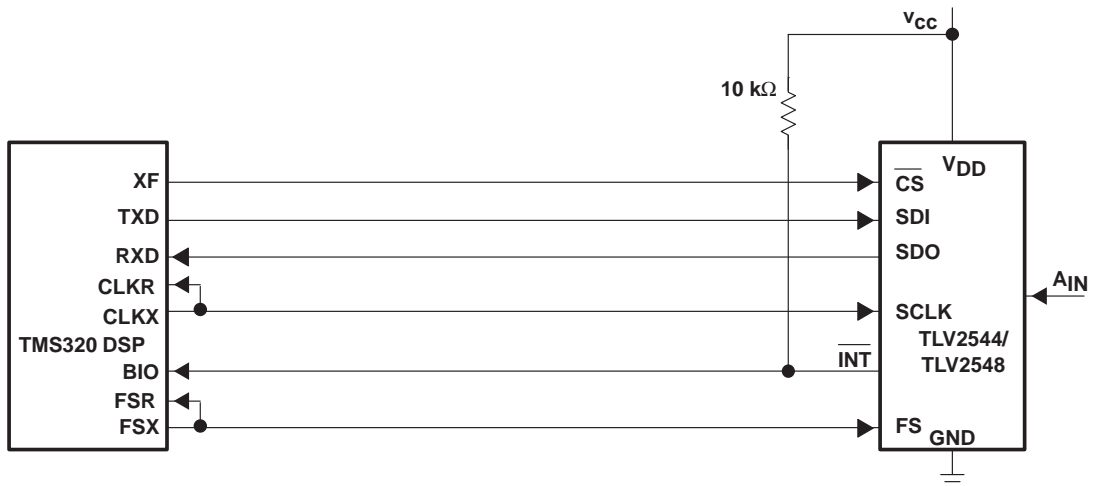


### PRINCIPLES OF OPERATION



- NOTES: A. This curve is based on the assumption that  $V_{ref+}$  and  $V_{ref-}$  have been adjusted so that the voltage at the transition from digital 0 to 1 ( $V_{ZT}$ ) is 0.0006 V, and the transition to full scale ( $V_{FT}$ ) is 4.9134 V, 1 LSB = 1.2 mV.  
B. The full scale value ( $V_{FS}$ ) is the step whose nominal midstep value has the highest absolute value. The zero-scale value ( $V_{ZS}$ ) is the step whose nominal midstep value equals zero.

**Figure 37. Ideal 12-Bit ADC Conversion Characteristics**



**Figure 38. Typical Interface to a TMS320 DSP**

**PRINCIPLES OF OPERATION**

**simplified analog input analysis**

Using the equivalent circuit in Figure 39, the time required to charge the analog input capacitance from 0 to VS within 1/2 LSB can be derived as follows.

The capacitance charging voltage is given by:

$$V_C = V_S \left( 1 - \text{EXP} \left( \frac{-t_c}{R_t \times C_i} \right) \right) \tag{1}$$

Where

$$R_t = R_s + Z_i$$

$$t_c = \text{Cycle time}$$

The input impedance Zi is 0.5 kΩ at 5 V, and is higher (~ 0.6 kΩ) at 2.7 V. The final voltage to 1/2 LSB is given by:

$$V_C (1/2 \text{ LSB}) = V_S - \left( \frac{V_S}{8192} \right) \tag{2}$$

Equating equation 1 to equation 2 and solving for cycle time tc gives:

$$V_S - \left( \frac{V_S}{8192} \right) = V_S \left( 1 - \text{EXP} \left( \frac{-t_c}{R_t \times C_i} \right) \right) \tag{3}$$

and time to change to 1/2 LSB (minimum sampling time) is:

$$t_{ch} (1/2 \text{ LSB}) = R_t \times C_i \times \ln(8192)$$

Where

$$\ln(8192) = 9.011$$

Therefore, with the values given, the time for the analog input signal to settle is:

$$t_{ch} (1/2 \text{ LSB}) = (R_s + 0.5 \text{ k}\Omega) \times C_i \times \ln(8192) \tag{4}$$

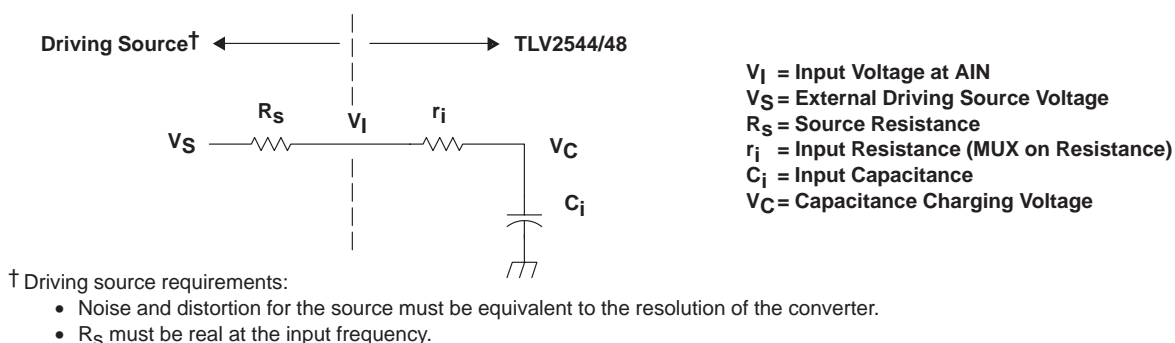
This time must be less than the converter sample time shown in the timing diagrams. This is 12× SCLKs (if the sampling mode is short normal sampling mode).

$$t_{ch} (1/2 \text{ LSB}) \leq 12 \times \frac{1}{f(\text{SCLK})} \tag{5}$$

Therefore the maximum SCLK frequency is:

$$\max[f(\text{SCLK})] = \frac{12}{t_{ch} (1/2 \text{ LSB})} = \frac{12}{[\ln(8192) \times R_t \times C_i]} \tag{6}$$

### PRINCIPLES OF OPERATION



**Figure 39. Equivalent Input Circuit Including the Driving Source**

#### maximum conversion throughput

For a supply voltage of 5 V, if the source impedance is less than 1 k $\Omega$ , and the ADC analog input capacitance  $C_i$  is less than 50 pF, this equates to a minimum sampling time  $t_{ch}(0.5 \text{ LSB})$  of 0.676  $\mu\text{s}$  ( $< 1 \mu\text{s}$ ). Since the sampling time requires 12 SCLKs, the fastest SCLK frequency is  $12/t_{ch} = 12 \text{ MHz}$ .

The minimal total cycle time is given as:

$$\begin{aligned}
 t_c &= t_{command} + t_{ch} + t_{conv} + t_d(\text{EOCH-CSL}) = 4 \times \frac{1}{f(\text{SCLK})} + 12 \times \frac{1}{f(\text{SCLK})} + 3.6 \mu\text{s} + 0.1 \mu\text{s} \\
 &= 16 \times \frac{1}{12\text{MHz}} + 3.7 \mu\text{s} = 5.03 \mu\text{s}
 \end{aligned}$$

This is equivalent to a maximum throughput of 200 KSPS. The throughput can be even higher with a smaller source impedance.

When source impedance is 100  $\Omega$ , the minimum sampling time becomes:

$$t_{ch} (1/2 \text{ LSB}) = R_t \times C_i \times \ln(8192) = 0.27 \mu\text{s}$$

The maximum SCLK frequency possible is  $12/t_{ch} = 44 \text{ MHz}$ . Then a 20 MHz clock (maximum SCLK frequency for the TLV2544/2548) can be used. The minimal total cycle time is then reduced to:

$$\begin{aligned}
 t_c &= t_{command} + t_{ch} + t_{conv} + t_d(\text{EOCH-CSL}) = 4 \times \frac{1}{f(\text{SCLK})} + 12 \times \frac{1}{f(\text{SCLK})} + 3.6 \mu\text{s} + 0.1 \mu\text{s} \\
 &= 0.8 \mu\text{s} + 3.6 \mu\text{s} + 0.1 \mu\text{s} = 4.5 \mu\text{s}
 \end{aligned}$$

The maximum throughput is  $1/4.5 \mu\text{s} = 222 \text{ KSPS}$  for this case.

PRINCIPLES OF OPERATION

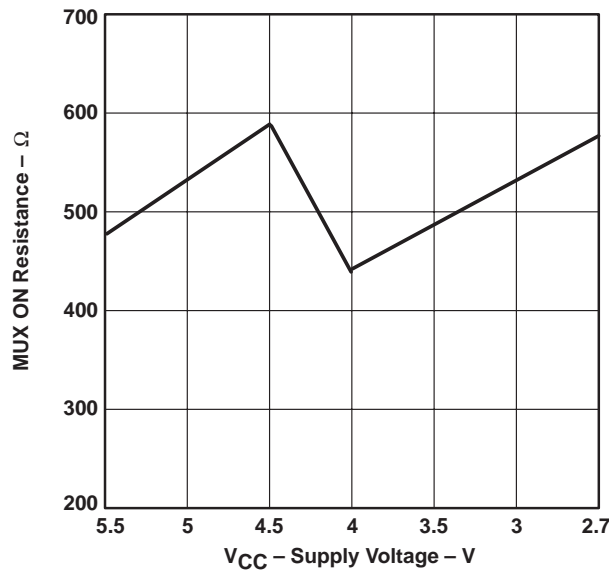


Figure 40. Input MUX Impedance vs Supply Voltage

power down calculations

$$i(AVERAGE) = (f_S/f_{SMAX}) \times i(ON) + (1-f_S/f_{SMAX}) \times i(OFF)$$

CASE 1: If V<sub>DD</sub> = 3.3 V, auto power down, and an external reference is used:

$$f_S = 10 \text{ kHz}$$

$$f_{SMAX} = 200 \text{ kHz}$$

$$i(ON) = \sim 1 \text{ mA operating current and } i(OFF) = \sim 1 \mu\text{A auto powerdown current}$$

so

$$i(AVERAGE) = 0.05 \times 1000 \mu\text{A} + 0.95 \times 1 \mu\text{A} = 51 \mu\text{A}$$

CASE 2: Now if software power down is used, another cycle is needed to shut it down.

$$f_S = 20 \text{ kHz}$$

$$f_{SMAX} = 200 \text{ kHz}$$

$$i(ON) = \sim 1 \text{ mA operating current and } i(OFF) = \sim 1 \mu\text{A powerdown current}$$

so

$$i(AVERAGE) = 0.1 \times 1000 \mu\text{A} + 0.9 \times 1 \mu\text{A} = 101 \mu\text{A}$$

In reality this will be less since the second conversion never happened. It is only the additional cycle to shut down the ADC.

### PRINCIPLES OF OPERATION

CASE 3: Now if the hardware power down is used.

$$\begin{aligned}f_S &= 10 \text{ kHz} \\f_{SMAX} &= 200 \text{ kHz} \\i(ON) &= \sim 1 \text{ mA operating current and } i(OFF) = \sim 1 \text{ } \mu\text{A powerdown current}\end{aligned}$$

so

$$i(AVERAGE) = 0.05 \times 1000 \text{ } \mu\text{A} + 0.95 \times 1 \text{ } \mu\text{A} = 51 \text{ } \mu\text{A}$$

#### difference between modes of conversion

The major difference between sweep mode (mode 10) and repeat sweep mode (mode 11) is that the sweep sequence ends after the FIFO is filled up to the programmed threshold. The repeat sweep can either dump the FIFO (by ignoring the FIFO content but simply reconfiguring the device) or read the FIFO and then repeat the conversions on the the same sequence of the channel as before.

FIFO reads are expected after the FIFO is filled up to the threshold in each case. Mode 10 – the device allows only FIFO read or CFR read or CFR write to be executed. Any conversion command is ignored. In the case of mode 11, in addition to the above commands, conversion commands are also executed , i.e. the FIFO is cleared and the sweep sequence is restarted.

Both single shot and repeat modes require selection of a channel after the device is configured for these modes. Single shot mode does not use the FIFO, but repeat mode does. When the device is operating in repeat mode, the FIFO can be dumped (by ignoring the FIFO content and simply reconfiguring the device) or the FIFO can be read and then the conversions repeated on the same channel as before. However, the channel has to be selected first before any conversion can be carried out. The devices can be programmed with the following sequences for operating in the different modes that use a FIFO:

## PRINCIPLES OF OPERATION

### difference between modes of conversion (continued)

#### REPEAT:

Configure FIFO Depth=4 /CONV Mode 01

Select Channel/

1st Conv ( $\overline{CS}$  or  $\overline{CSTART}$ )

2nd Conv ( $\overline{CS}$  or  $\overline{CSTART}$ )

3rd Conv ( $\overline{CS}$  or  $\overline{CSTART}$ )

4th Conv ( $\overline{CS}$  or  $\overline{CSTART}$ )

FIFO READ 1

FIFO READ 2

FIFO READ 3

FIFO READ 4

Select Channel

1st Conv ( $\overline{CS}$  or  $\overline{CSTART}$ )

2nd Conv ( $\overline{CS}$  or  $\overline{CSTART}$ )

3rd Conv ( $\overline{CS}$  or  $\overline{CSTART}$ )

4th Conv ( $\overline{CS}$  or  $\overline{CSTART}$ )

#### SWEEP:

Configure FIFO Depth=4 SEQ=1–2–3–4/CONV Mode 10

conv ch 1 ( $\overline{CS}/\overline{CSTART}$ )

conv ch 2 ( $\overline{CS}/\overline{CSTART}$ )

conv ch 3 ( $\overline{CS}/\overline{CSTART}$ )

conv ch 4 ( $\overline{CS}/\overline{CSTART}$ )

FIFO READ ch 1 result

FIFO READ ch 2 result

FIFO READ ch 3 result

FIFO READ ch 4 result

Configure (not required if same sweep sequence is to be used again)

#### REPEAT SWEEP:

Configure FIFO Depth=4 SWEEP SEQ=1-2-3-4/CONV Mode 11

conv ch 1 ( $\overline{CS}/\overline{CSTART}$ )

conv ch 2 ( $\overline{CS}/\overline{CSTART}$ )

conv ch 3 ( $\overline{CS}/\overline{CSTART}$ )

conv ch 4 ( $\overline{CS}/\overline{CSTART}$ )

FIFO READ ch 1 result

FIFO READ ch 2 result

FIFO READ ch 3 result

FIFO READ ch 4 result

conv ch 1 ( $\overline{CS}/\overline{CSTART}$ )

conv ch 2 ( $\overline{CS}/\overline{CSTART}$ )

conv ch 3 ( $\overline{CS}/\overline{CSTART}$ )

conv ch 4 ( $\overline{CS}/\overline{CSTART}$ )

## **IMPORTANT NOTICE**

Texas Instruments and its subsidiaries (TI) reserve the right to make changes to their products or to discontinue any product or service without notice, and advise customers to obtain the latest version of relevant information to verify, before placing orders, that information being relied on is current and complete. All products are sold subject to the terms and conditions of sale supplied at the time of order acknowledgement, including those pertaining to warranty, patent infringement, and limitation of liability.

TI warrants performance of its semiconductor products to the specifications applicable at the time of sale in accordance with TI's standard warranty. Testing and other quality control techniques are utilized to the extent TI deems necessary to support this warranty. Specific testing of all parameters of each device is not necessarily performed, except those mandated by government requirements.

CERTAIN APPLICATIONS USING SEMICONDUCTOR PRODUCTS MAY INVOLVE POTENTIAL RISKS OF DEATH, PERSONAL INJURY, OR SEVERE PROPERTY OR ENVIRONMENTAL DAMAGE ("CRITICAL APPLICATIONS"). TI SEMICONDUCTOR PRODUCTS ARE NOT DESIGNED, AUTHORIZED, OR WARRANTED TO BE SUITABLE FOR USE IN LIFE-SUPPORT DEVICES OR SYSTEMS OR OTHER CRITICAL APPLICATIONS. INCLUSION OF TI PRODUCTS IN SUCH APPLICATIONS IS UNDERSTOOD TO BE FULLY AT THE CUSTOMER'S RISK.

In order to minimize risks associated with the customer's applications, adequate design and operating safeguards must be provided by the customer to minimize inherent or procedural hazards.

TI assumes no liability for applications assistance or customer product design. TI does not warrant or represent that any license, either express or implied, is granted under any patent right, copyright, mask work right, or other intellectual property right of TI covering or relating to any combination, machine, or process in which such semiconductor products or services might be or are used. TI's publication of information regarding any third party's products or services does not constitute TI's approval, warranty or endorsement thereof.