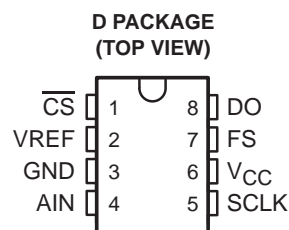


**TLV1572**  
**2.7 V TO 5.5 V, 10-BIT, 1.25 MSPS**  
**SERIAL ANALOG-TO-DIGITAL CONVERTER WITH AUTO-POWERDOWN**  
SLAS171A – DECEMBER 1997 – REVISED SEPTEMBER 1998

- **Fast Throughput Rate: 1.25 MSPS**
- **8-Pin SOIC Package**
- **Differential Nonlinearity Error:  $< \pm 1$  LSB**
- **Integral Nonlinearity Error:  $< \pm 1$  LSB**
- **Signal-to-Noise and Distortion Ratio: 59 dB,  $f_{(input)} = 500$  kHz**
- **Single 3-V to 5-V Supply Operation**
- **Very Low Power: 8 mW at 3V; 25mW at 5 V**
- **Auto-Powerdown: 10  $\mu$ A Maximum**
- **Glueless Serial Interface to TMS320 DSPs and (Q)SPI Compatible Micro-Controllers**
- **Inherent Internal Sample and Hold Operation**



### Applications

- **Mass Storage and HDD**
- **Automotive**
- **Digital Servos**
- **Process Control**
- **General Purpose DSP**
- **Contact Image Sensor Processing**

### description

The TLV1572 is a high-speed 10-bit successive-approximation analog-to-digital converter (ADC) that operates from a single 2.7-V to 5.5-V power supply and is housed in a small 8-pin SOIC package.

The TLV1572 accepts an analog input range from 0 to  $V_{CC}$  and digitizes the input at a maximum 1.25 MSPS throughput rate. The power dissipation is only 8 mW with a 3-V supply or 25 mW with a 5-V supply. The device features an auto-powerdown mode that automatically powers down to 10  $\mu$ A whenever a conversion is not performed.

The TLV1572 communicates with digital microprocessors via a simple 3- or 4-wire serial port that interfaces directly to the Texas Instruments TMS320 DSPs and (Q)SPI compatible microcontrollers without using additional glue logic.

Very high throughput rate, simple serial interface, SO-8 package, 3-V operation, and low power consumption make the TLV1572 an ideal choice for compact or remote high-speed systems.

#### AVAILABLE OPTIONS

T <sub>A</sub>	PACKAGE
	SMALL OUTLINE (D)
0°C to 70°C	TLV1572CD
-40°C to 85°C	TLV1572ID



Please be aware that an important notice concerning availability, standard warranty, and use in critical applications of Texas Instruments semiconductor products and disclaimers thereto appears at the end of this data sheet.

PRODUCTION DATA information is current as of publication date. Products conform to specifications per the terms of Texas Instruments standard warranty. Production processing does not necessarily include testing of all parameters.

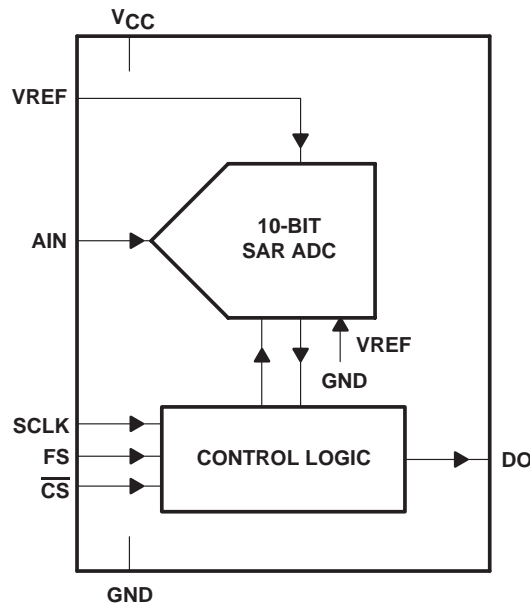
**TEXAS  
INSTRUMENTS**

POST OFFICE BOX 655303 • DALLAS, TEXAS 75265

Copyright © 1998, Texas Instruments Incorporated

**TLV1572**  
**2.7 V TO 5.5 V, 10-BIT, 1.25 MSPS**  
**SERIAL ANALOG-TO-DIGITAL CONVERTER WITH AUTO-POWERDOWN**  
 SLAS171A – DECEMBER 1997 – REVISED SEPTEMBER 1998

**functional block diagram**



**Terminal Functions**

TERMINAL NAME	NO.	I/O	DESCRIPTION
$\overline{\text{CS}}$ /Powerdown	1	I	Chip Select. A low on this input enables the TLV1572. A high disables the device and disconnects the power to the TLV1572.
AIN	2	I	Analog input
VREF	3	I	Reference voltage input. The voltage applied to this pin defines the input span of the TLV1572.
GND	4		Ground
DO	5	O	Serial data output. A/D conversion results are provided at this output pin.
FS	6	I	Frame sync input in DSP mode. The falling edge of the frame sync pulse from DSP indicates the start of a serial data frame shifted out of the TLV1572. The FS input is tied to VCC when interfacing to a micro-controller.
SCLK	7	I	Serial clock input. This clock synchronizes the serial data transfer and is also used for internal data conversion.
VCC	8		Power supply, recommend connection to analog supply

TLV1572  
2.7 V TO 5.5 V, 10-BIT, 1.25 MSPS  
SERIAL ANALOG-TO-DIGITAL CONVERTER WITH AUTO-POWERDOWN

SLAS171A – DECEMBER 1997 – REVISED SEPTEMBER 1998

**absolute maximum ratings over operating free-air temperature (unless otherwise noted)†**

Supply voltage, GND to $V_{CC}$	–0.3 V to 6.5 V
Analog input voltage range	–0.3 V to $V_{CC} + 0.3$ V
Reference input voltage	$V_{CC} + 0.3$ V
Digital input voltage range	–0.3 V to $V_{CC} + 0.3$ V
Operating virtual junction temperature range, $T_J$	–40°C to 150°C
Operating free-air temperature range, $T_A$	0°C to 70°C
Storage temperature range, $T_{stg}$	–65°C to 150°C
Lead temperature 1.6 mm (1/16 inch) from case for 10 seconds	260°C

† Stresses beyond those listed under “absolute maximum ratings” may cause permanent damage to the device. These are stress ratings only, and functional operation of the device at these or any other conditions beyond those indicated under “recommended operating conditions” is not implied. Exposure to absolute-maximum-rated conditions for extended periods may affect device reliability.

**recommended operating conditions**

**power supply**

	MIN	NOM	MAX	UNIT
$V_{CC}$ Supply voltage	2.7		5.5	V

**analog inputs**

	MIN	MAX	UNIT
$V_{AIN}$ Analog input voltage	GND	$V_{REF}$	V
$V_{REF}$ Reference input voltage	2.7	$V_{CC}$	V

**digital inputs**

		MIN	NOM	MAX	UNIT
High-level input voltage, $V_{IH}$	$V_{CC} = 3$ V to 5.5 V	2.1	2.4		V
Low-level input voltage, $V_{IL}$	$V_{CC} = 3$ V to 5.5 V			0.8	V
Input SCLK frequency	$V_{CC} = 4.5$ V to 5.5 V			20	MHZ
SCLK pulse duration, clock high, $t_w(SCLKH)$	$V_{CC} = 4.5$ V to 5.5 V	23			ns
SCLK pulse duration, clock low, $t_w(SCLKL)$	$V_{CC} = 4.5$ V to 5.5 V	23			ns
Input SCLK frequency	$V_{CC} = 3$ V			10	MHZ
SCLK pulse duration, clock high, $t_w(SCLKH)$	$V_{CC} = 3$ V	45			ns
SCLK pulse duration, clock low, $t_w(SCLKL)$	$V_{CC} = 3$ V	45			ns



# TLV1572

2.7 V TO 5.5 V, 10-BIT, 1.25 MSPS

## SERIAL ANALOG-TO-DIGITAL CONVERTER WITH AUTO-POWERDOWN

SLAS171A – DECEMBER 1997 – REVISED SEPTEMBER 1998

electrical characteristics over recommended operating free-air temperature range,  $V_{CC} = 5\text{ V}$ ,  $V_{REF} = 5\text{ V}$ ,  $f_{SCLK} = 20\text{ MHz}$  (unless otherwise noted)

### digital specifications

PARAMETER	TEST CONDITIONS	MIN	TYP	MAX	UNIT
<b>Logic inputs</b>					
$I_{IH}$ High-level input current	$V_{CC} = 5\text{ V}$	-50		50	$\mu\text{A}$
$I_{IL}$ Low-level input current	$V_{CC} = 5\text{ V}$	-50		50	$\mu\text{A}$
$C_i$ input capacitance			5		pF
<b>Logic outputs</b>					
$V_{OH}$ High-level output voltage	$I_{OH} = 50\text{ }\mu\text{A} - 0.5\text{ mA}$		$V_{CC} - 0.4$		V
$V_{OL}$ Low-level output voltage	$I_{OL} = 50\text{ }\mu\text{A} - 0.5\text{ mA}$		0.4		V
$I_{OZ}$ High-impedance-state output current		-50		50	$\mu\text{A}$
$C_O$ Output capacitance			5		pF

### dc specifications

PARAMETER	TEST CONDITIONS	MIN	TYP	MAX	UNIT
Resolution			10		Bits
<b>Accuracy</b>					
INL Integral nonlinearity	Best fit		$\pm 0.5$	$\pm 1$	LSB
DNL Differential nonlinearity			$\pm 0.3$	$\pm 1$	LSB
Offset error			$\pm 0.1$	$\pm 0.15$	%FSR
Gain error			$\pm 0.1$	$\pm 0.2$	%FSR
<b>Analog input</b>					
Input full scale range		GND		$V_{CC}$	V
Input capacitance			15		pF
input leakage current	$V_{AIN} = 0\text{ to }V_{CC}$			50	$\mu\text{A}$
<b>Voltage reference input</b>					
$V_{REF+}$ Positive reference voltage		3		$V_{CC}$	V
$V_{REF-}$ Negative reference voltage	Internally connects to GND		GND		V
Input resistance		2			$\text{K}\Omega$
Input capacitance			300		pF
<b>Power supply</b>					
$I_{CC} + I_{REF}$ Operating supply current	$V_{CC} = 5.5\text{ V}$ , $f_{SCLK} = 20\text{ MHz}$		5.5	8.5	mA
	$V_{CC} = 3\text{ V}$ , $f_{SCLK} = 10\text{ MHz}$		2.7		
$I_{PD}$ Supply current in powerdown mode	$V_{CC}$			10	$\mu\text{A}$
Power dissipation	$V_{CC} = 5\text{ V}$		25		mW
Power dissipation	$V_{CC} = 3\text{ V}$		8		mW



TLV1572  
2.7 V TO 5.5 V, 10-BIT, 1.25 MSPS  
SERIAL ANALOG-TO-DIGITAL CONVERTER WITH AUTO-POWERDOWN  
SLAS171A – DECEMBER 1997 – REVISED SEPTEMBER 1998

electrical characteristics over recommended operating free-air temperature range,  $V_{CC} = 5\text{ V}$ ,  $V_{REF} = 5\text{ V}$ ,  $f_{SCLK} = 20\text{ MHz}$  (unless otherwise noted) (continued)

ac specifications

PARAMETER		TEST CONDITIONS	MIN	TYP	MAX	UNIT
Signal-to-noise ratio + distortion		$f_{(input)} = 200\text{ kHz}$	54	58		dB
THD	Total harmonic distortion	$f_{(input)} = 200\text{ kHz}$	56	60		dB
Effective number of bits		$f_{(input)} = 200\text{ kHz}$	8.7	9.35		Bits
Spurious-free dynamic range		$f_{(input)} = 200\text{ kHz}$	57	62		dB
<b>Analog Input</b>						
BW	Full-power bandwidth	Source impedance = $1\text{ k}\Omega$		12		MHz
BW	Small-signal bandwidth	Source impedance = $1\text{ k}\Omega$		20		Mhz

timing specifications

PARAMETER		TEST CONDITIONS	MIN	TYP	MAX	UNIT
$t_c$	SCLK period	$V_{CC} = 4.5\text{ V} - 5.5\text{ V}$	50			ns
$t_c$	SCLK period	$V_{CC} = 2.7\text{ V} - 3.3\text{ V}$	100			ns
$t_{rs}$	Reset and sampling period			6		SLCK cycles
$t_c$	Conversion period			10		SLCK cycles
$t_{su1}$	FS setup time to SCLK falling edge in DSP mode		10			ns
$t_{h1}$	FS hold time to SCLK falling edge in DSP mode		4			ns
$t_{su2}$	FS setup time to $\overline{CS}$ falling edge in DSP mode		6			ns
$t_{h2}$	FS hold time to $\overline{CS}$ falling edge in DSP mode		9			ns
$t_{d1}$	Output delay after SCLK rising edge in DSP mode			15	25	ns
$t_{d(L)1}$	FS falling edge to next SCLK falling edge in DSP mode		6			ns
$t_{d(L)2}$	SCLK rising edge after $\overline{CS}$ falling edge in $\mu\text{C}$ mode		4			ns
$t_{d2}$	Output delay after SCLK rising edge in $\mu\text{C}$ mode			15	25	ns

Specifications subject to change without notice.



PARAMETER MEASUREMENT INFORMATION

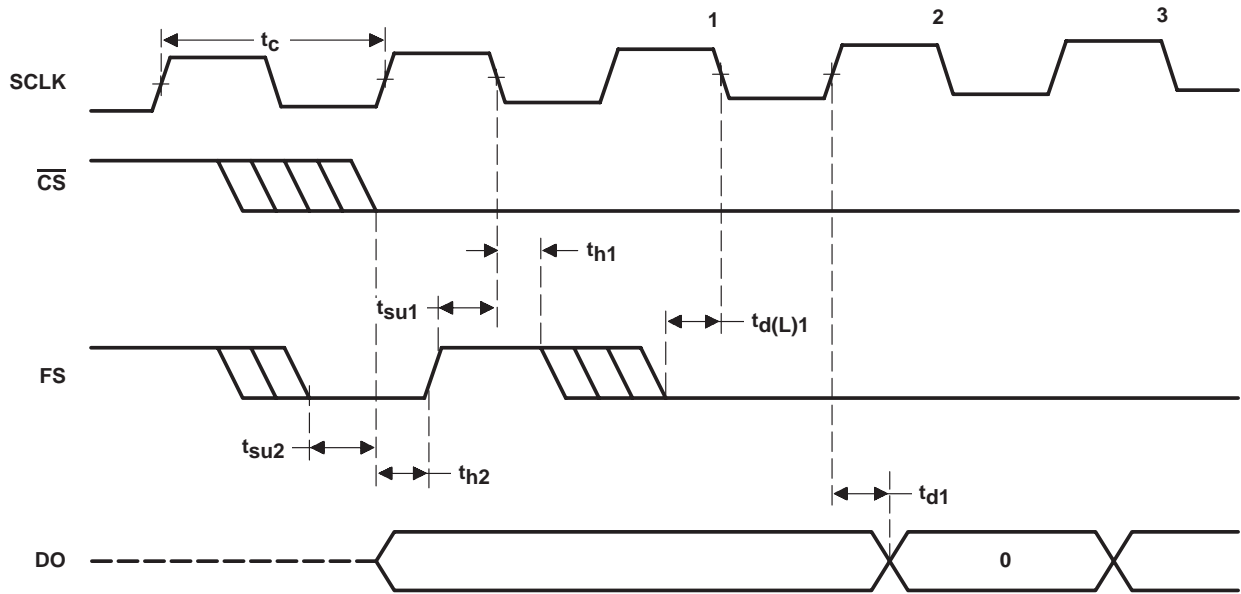


Figure 1. DSP Mode Timing Diagram

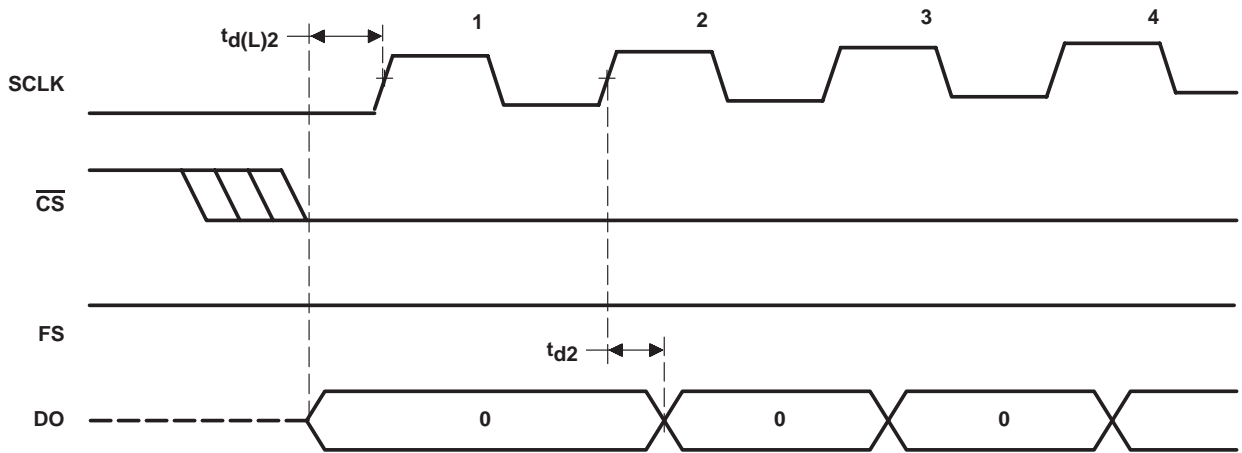


Figure 2.  $\mu$ C Mode Timing Diagram

## definitions of specifications and terminology

### integral nonlinearity

Integral nonlinearity refers to the deviation of each individual code from a line drawn from zero through full scale. The point used as zero occurs 1/2 LSB before the first code transition. The full scale point is defined as level 1/2 LSB beyond the last code transition. The deviation is measured from the center of each particular code to the true straight line between these two points.

### differential nonlinearity

An ideal ADC exhibits code transitions that are exactly 1 LSB apart. DNL is the deviation from this ideal value. A differential nonlinearity error of less than  $\pm 1$  LSB ensures no missing codes.

### zero offset

The first code transition should ideally occur at an analog value 1/2 LSB above  $V_{REF-}$ . The zero offset error is defined as the error between the ideal first transition point and the actual first transition. This error effectively shifts left or right an ADC transfer function

### gain error

The first code transition should occur at an analog value 1/2 LSB above negative full scale. The last transition should occur at an analog value 1 1/2 LSB below the nominal full scale. Gain error is the deviation of the actual difference between first and last code transitions and the ideal difference between first and last code transitions.

### signal-to-noise ratio + distortion (SINAD)

SINAD is the ratio of the rms value of the measured input signal to the rms sum of all other spectral components below the Nyquist frequency, including harmonics but excluding dc. The value for SINAD is expressed in decibels.

### effective number of bits (ENOB)

For a sine wave, SINAD can be expressed in terms of the number of bits. Using the following formula,

$$N = (\text{SINAD} - 1.76)/6.02$$

it is possible to get a measure of performance expressed as N, the effective number of bits. Thus, effective number of bits for a device for sine wave inputs at a given input frequency can be calculated directly from its measured SINAD.

### total harmonic distortion (THD)

THD is the ratio of the rms sum of the first six harmonic components to the rms value of the measured input signal and is expressed as a percentage or in decibels.

### spurious free dynamic range (SFDR)

SFDR is the difference in dB between the rms amplitude of the input signal and the largest peak spurious signal.

**TLV1572**  
**2.7 V TO 5.5 V, 10-BIT, 1.25 MSPS**  
**SERIAL ANALOG-TO-DIGITAL CONVERTER WITH AUTO-POWERDOWN**  
 SLAS171A – DECEMBER 1997 – REVISED SEPTEMBER 1998

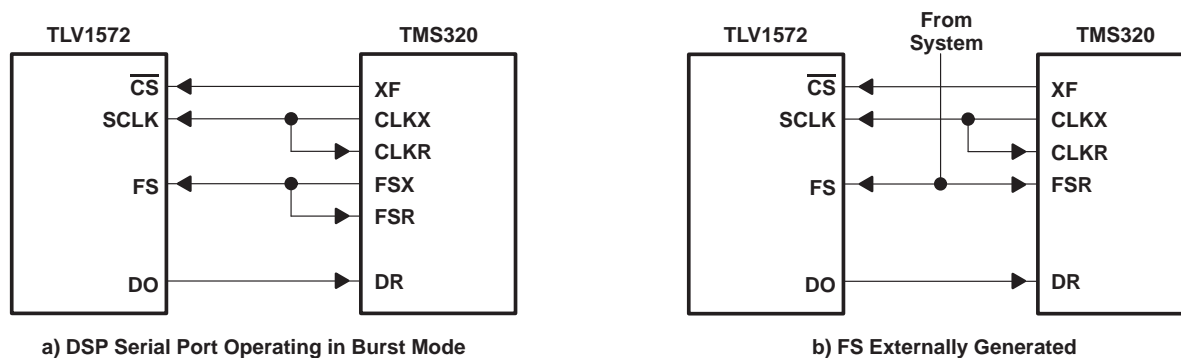
**APPLICATION INFORMATION**

The TLV1572 is a 600-ns, 10-bit analog-to-digital converter with the throughput up to 1.25 MSPS at 5 V and up to 625 KSPS at 3 V respectively. To run at its fastest conversion rate, it must be clocked at 20 MHz at 5 V or 10 MHz at 3 V. The TLV1572 can be easily interfaced to microcontrollers, ASICs, DSPs, or shift registers. Its serial interface is designed to be fully compatible with Serial Peripheral Interface (SPI) and TMS320 DSP serial ports. It requires no hardware to interface between the TLV1572 and the microcontrollers ( $\mu$ Cs) with the SPI serial port or the TMS320 DSPs. However, speed is limited by the SCLK rate of the  $\mu$ C or the DSP.

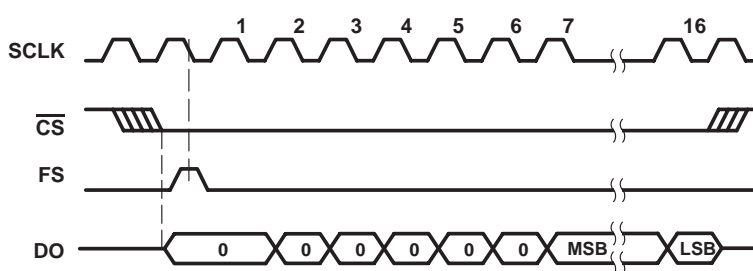
The TLV1572 interfaces to the DSPs over four lines:  $\overline{CS}$ , SCLK, DO, and FS, and interfaces to  $\mu$ Cs over three lines:  $\overline{CS}$ , SCLK, and DO. The FS input should be pulled high in  $\mu$ C mode. The chip is in 3-state and powerdown mode when  $\overline{CS}$  is high. After  $\overline{CS}$  falls, the TLV1572 checks the FS input at the  $\overline{CS}$  falling edge to determine the operation mode. If FS is low, DSP mode is set, else  $\mu$ C mode is set.

**interfacing TLV1572 to TMS320 DSPs**

The TLV1572 is compatible with Texas Instruments TMS320 DSP serial ports. Figures 3(a) and 3(b) show the pin connections to interface the TLV1572 to the TMS320 DSPs.



**Figure 3. TLV1572 to DSP Interface**



**Figure 4. Typical Timing Diagram for DSP Application**

In the DSP mode, the FS input should be low when the  $\overline{CS}$  goes low. There is a hold time before the FS input can go high after the  $\overline{CS}$  falling edge to ensure proper mode latching. With  $\overline{CS}$  going low, DO comes out of 3-state but the device is still in powerdown until FS (frame sync signal from DSP) goes high.

The TLV1572 checks FS at the falling edges of SCLK. Once FS is detected high, the sampling of input is started. As soon as FS goes low, the device starts shifting the data out on the DO line. After six null bits, the A/D conversion data becomes available on the SCLK rising edges and is latched by DSP on the falling edges. Figure 4 shows the DSP mode timing diagram.



## APPLICATION INFORMATION

### interfacing TLV1572 to TMS320 DSPs (continued)

The TLV1572 goes into auto-powerdown after the LSB is shifted out. The next FS pulls it out of auto-powerdown as shown in Figure 5. If FS comes on the 16th bit, the next conversion cycle starts from the next rising edge of SCLK allowing back to back conversions as shown in Figure 6. An FS high in the middle of a conversion cycle resets the device and starts a new conversion cycle. Therefore variable-bit transfer is supported if FS appears earlier.

$\overline{CS}$  can be pulled high asynchronously to put the device into 3-state and powerdown.  $\overline{CS}$  can also be pulled low asynchronously to start checking for FS on the falling edges of the clock.

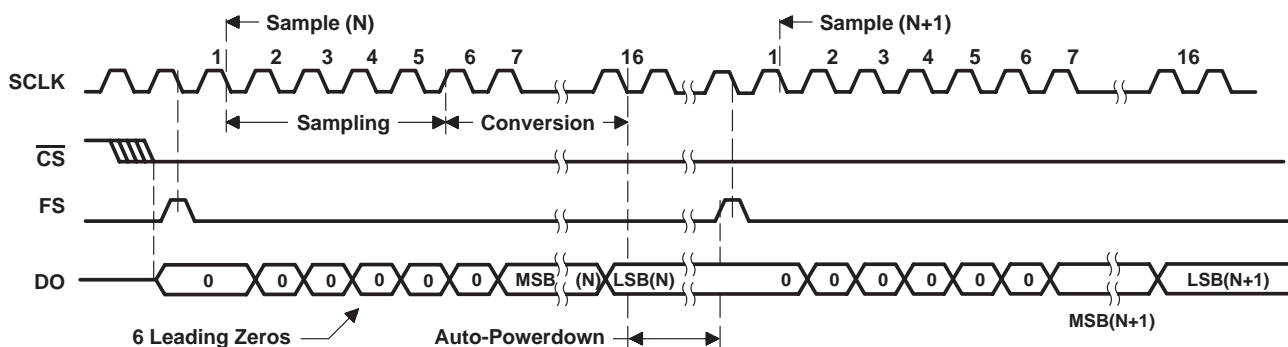


Figure 5. DSP Application Timing (Intermittent Conversion)

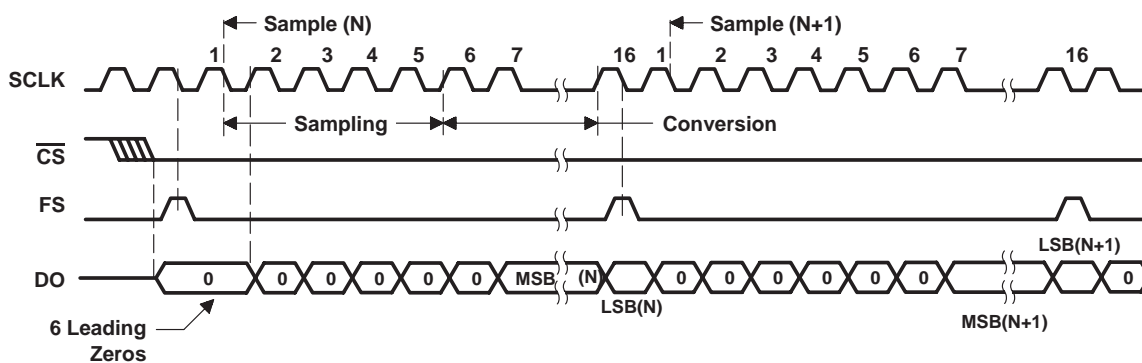


Figure 6. DSP Application Timing (Continuous Conversion)

### key points

1. When  $\overline{CS}$  goes low, if FS is low, it is in DSP mode. FS is sampled twice by a  $\overline{CS}$  falling edge and again by an internally delayed  $\overline{CS}$  falling edge. Even if a glitch appears and one latch latches 1 and another latches 0, the device goes into DSP mode ( $\mu$ C mode requires both latches to latch 1). There is a hold time before FS can go high again after the  $\overline{CS}$  falling edge to ensure proper mode latching as detailed above. With  $\overline{CS}$  going low, DO is in 3-state and the device is in powerdown until a FS rising edge.
2. The TLV1572 checks for FS at every falling edge of SCLK. If FS is detected high, the device goes into reset. When FS goes low, the TLV1572 waits for the DSP to latch the first 0 bit.
3. Sampling occurs from first falling edge of SCLK after FS going low until the rising edge when the 6th 0 bit is sent out. Thereafter decisions are taken on the rising edges and data is sent out on the rising edges (1 bit delayed). The DSP samples on the falling edge of SCLK. Data is padded with 6 leading zeros.

**APPLICATION INFORMATION**

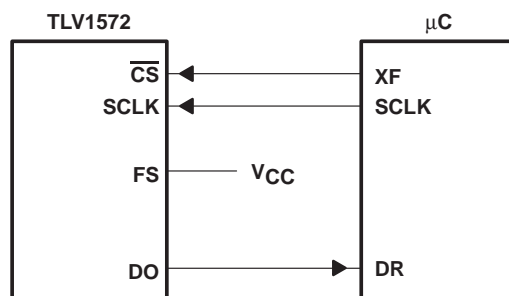
**key points (continued)**

4. Note that the device goes into autopowerdown on the 17th falling edge of SCLK (just after the LSB). The FS rising edge pulls it out of autopowerdown. If FS comes on the 16th bit, the next conversion cycle starts from the next rising edge allowing back to back conversions. An FS in the middle of a conversion cycle starts a new conversion cycle. Thus variable-bit transfer is supported if FS appears earlier.
5. DO goes into 3-state on the 17th rising edge and comes out on a FS rising edge.
6.  $\overline{CS}$  can be pulled high asynchronously to put the device into 3-state and powerdown.  $\overline{CS}$  may also be pulled low asynchronously to start checking for FS on the falling edges of the clock.

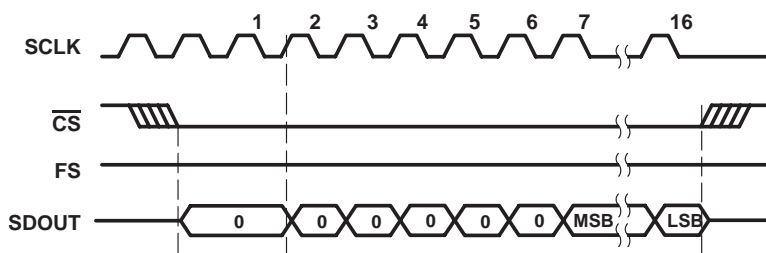
For applications where the analog input must be sampled at a precise instant in time, data conversion can be initiated by an external conversion start pulse which is completely asynchronous to the SCLK as shown in Figure 4. When a conversion start pulse is received, the pulse is used as a frame sync (FS) signal to initiate the data conversion and transfer. The corresponding timing diagram is shown in Figure 6.

**interfacing TLV1572 to SPI/QSPI compatible microcontrollers ( $\mu$ Cs)**

The TLV1572 is compatible with SPI and QSPI serial interface standards (Note: the TLV1572 supports the following SPI clock options: clock\_polarity= 0, i.e. SCLK idles low, and clock\_phase = 1). Figure 7 shows the pin connections to interface the TLV1572 to SPI/QSPI compatible microcontrollers.



**Figure 7. TLV1572 to  $\mu$ C Interface**



**Figure 8. Typical Timing Diagram for  $\mu$ C Application**

To use the TLV1572 in a non-DSP application, the FS input should be pulled high as shown in Figure 8.

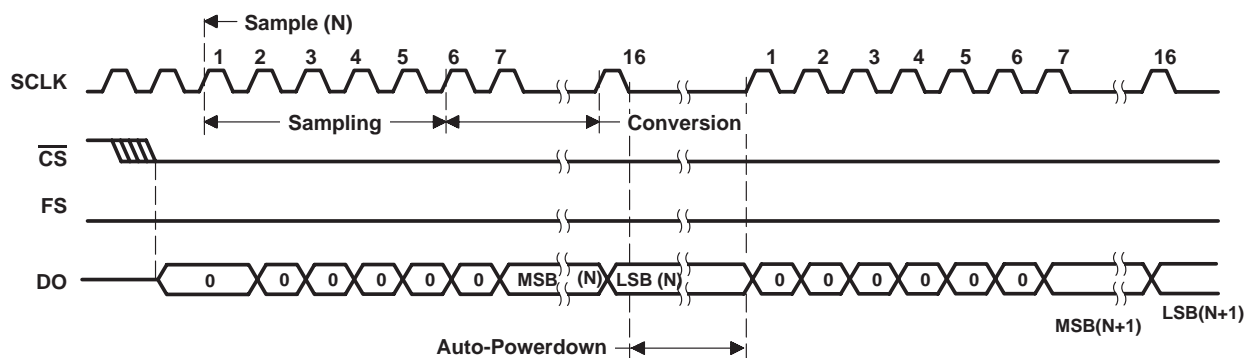
A total of 16 clocks are normally supplied for each conversion. If the  $\mu$ C cannot take in 16 bits at a time, it may take 8 bits with 8 clocks and next 8 bits with another 8 clocks.  $\overline{CS}$  should be kept low throughout the conversion. The delay between these two 8-clock periods should not be longer than 100  $\mu$ s.

## APPLICATION INFORMATION

### interfacing TLV1572 to SPI/QSPI compatible microcontrollers( $\mu$ Cs) (continued)

Unlike the DSP mode in which the conversion is initiated by the FS input signal from the DSP, the conversion is initiated by the incoming SCLK after  $\overline{CS}$  falls. Sampling of the input is started on the first rising edge of SCLK after  $\overline{CS}$  goes low. After six null bits, the A/D conversion data becomes available on SCLK rising edges and is latched by the  $\mu$ C on the falling edges.  $\overline{CS}$  can be pulled high during the conversion before the LSB is shifted out to use the device as a lower resolution ADC. Figure 9 shows the  $\mu$ C mode timing diagram.

The device goes into autopowerdown after the LSB is shifted out and is brought out of powerdown by the next clock rising edge as shown in Figure 9.



**Figure 9.  $\mu$ C Application Timing Diagram**

#### key points

1. When  $\overline{CS}$  goes low, if FS is high, it is in  $\mu$ C (Q)SPI mode. Thus, FS should be tied to  $V_{DD}$ . FS is latched twice, on the falling edge of  $\overline{CS}$  and again on an internally delayed falling edge of  $\overline{CS}$ . Only if both latches latch 1, then  $\mu$ C mode is set else DSP mode is set. Only polarity = 0 is supported, i.e. SCLK idles low. Only clock\_phase = 1 is supported as shown in the timing diagrams.
2. For each conversion 16 clocks have to be supplied. If the  $\mu$ C cannot take in 16 bits at a time, it may take 8 bits with 8 clocks and the next 8 bits with another 8 clocks keeping  $\overline{CS}$  low throughout the conversion. The delay between these two 8-clock periods should not be longer than 100  $\mu$ s.
3. Sampling starts on the first rising edge of SCLK and ends on the edge when the 6th 0 bit is sent out. Decisions are made on the rising edge and data is output on the same edge but a bit delayed to avoid noise.
4. The device goes into autopowerdown on the falling edge of the 16th clock and is brought out of powerdown by next first (17th) clock rising edge.
5. If the (Q)SPI wants less than a 16-bit transfer,  $\overline{CS}$  must go high after each transfer. The falling edge of  $\overline{CS}$  resets the TLV1572 for the next conversion. Thus a 14-bit transfer is possible when using the device as an 8-bit A/D.
6.  $\overline{CS}$  going high puts the device in 3-state and complete powerdown.  $\overline{CS}$  going low sets the mode and pulls DO out of 3-state.

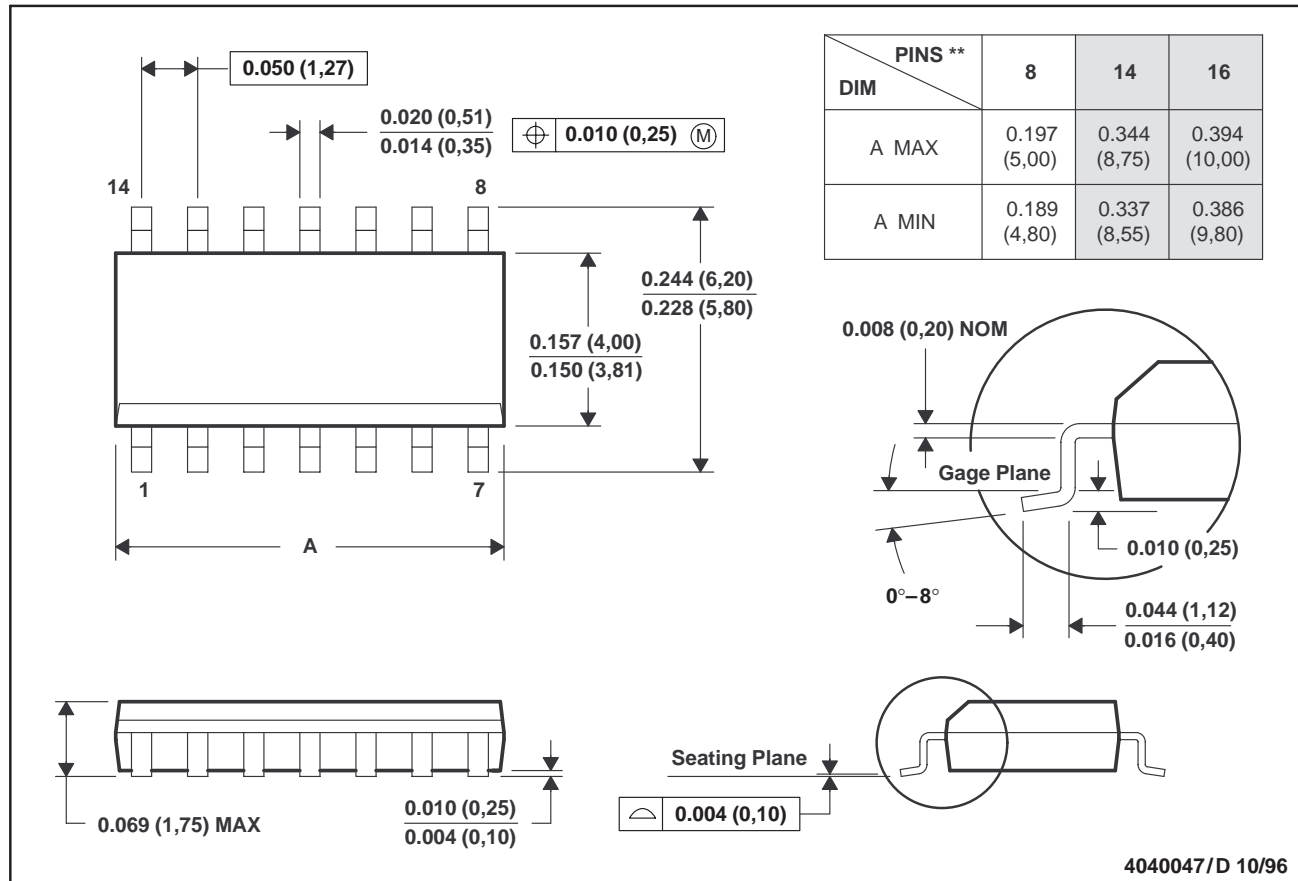
**TLV1572**  
**2.7 V TO 5.5 V, 10-BIT, 1.25 MSPS**  
**SERIAL ANALOG-TO-DIGITAL CONVERTER WITH AUTO-POWERDOWN**  
 SLAS171A – DECEMBER 1997 – REVISED SEPTEMBER 1998

**MECHANICAL INFORMATION**

**D (R-PDSO-G\*\*)**

**PLASTIC SMALL-OUTLINE PACKAGE**

14 PIN SHOWN



4040047/D 10/96

- NOTES: A. All linear dimensions are in inches (millimeters).  
 B. This drawing is subject to change without notice.  
 C. Body dimensions do not include mold flash or protrusion, not to exceed 0.006 (0,15).  
 D. Falls within JEDEC MS-012

## **IMPORTANT NOTICE**

Texas Instruments and its subsidiaries (TI) reserve the right to make changes to their products or to discontinue any product or service without notice, and advise customers to obtain the latest version of relevant information to verify, before placing orders, that information being relied on is current and complete. All products are sold subject to the terms and conditions of sale supplied at the time of order acknowledgement, including those pertaining to warranty, patent infringement, and limitation of liability.

TI warrants performance of its semiconductor products to the specifications applicable at the time of sale in accordance with TI's standard warranty. Testing and other quality control techniques are utilized to the extent TI deems necessary to support this warranty. Specific testing of all parameters of each device is not necessarily performed, except those mandated by government requirements.

**CERTAIN APPLICATIONS USING SEMICONDUCTOR PRODUCTS MAY INVOLVE POTENTIAL RISKS OF DEATH, PERSONAL INJURY, OR SEVERE PROPERTY OR ENVIRONMENTAL DAMAGE ("CRITICAL APPLICATIONS"). TI SEMICONDUCTOR PRODUCTS ARE NOT DESIGNED, AUTHORIZED, OR WARRANTED TO BE SUITABLE FOR USE IN LIFE-SUPPORT DEVICES OR SYSTEMS OR OTHER CRITICAL APPLICATIONS. INCLUSION OF TI PRODUCTS IN SUCH APPLICATIONS IS UNDERSTOOD TO BE FULLY AT THE CUSTOMER'S RISK.**

In order to minimize risks associated with the customer's applications, adequate design and operating safeguards must be provided by the customer to minimize inherent or procedural hazards.

TI assumes no liability for applications assistance or customer product design. TI does not warrant or represent that any license, either express or implied, is granted under any patent right, copyright, mask work right, or other intellectual property right of TI covering or relating to any combination, machine, or process in which such semiconductor products or services might be or are used. TI's publication of information regarding any third party's products or services does not constitute TI's approval, warranty or endorsement thereof.