

75 Ω VIDEO LINE DRIVER

FEATURES

- Superimpose Circuit for Two-Level (45 and 140 IRE) Character Generation
- Fixed Gain (6 dB)
- Internal 75 Ω Driver with Clamp Circuit
- Very Small Output Capacitor Using SAG Function Pin
- Active High ON/OFF Control
- Very Low Standby Current (typ. $I_{STBY} \leq 25 \mu A$)
- Single +5 V Power Supply Operation

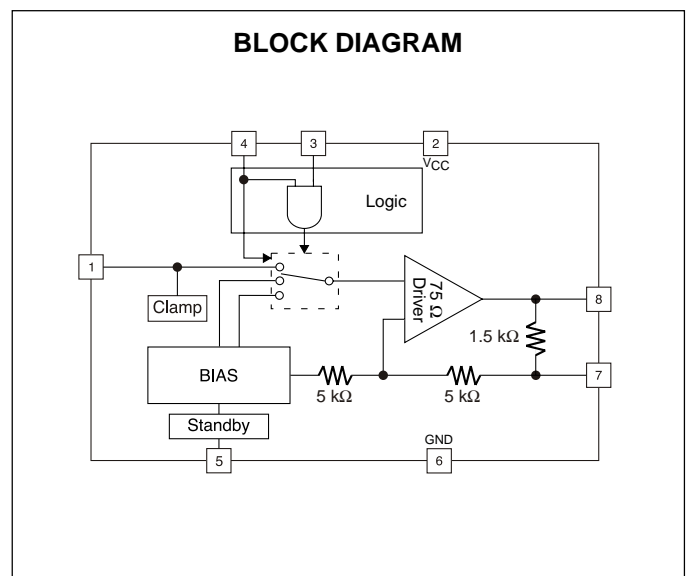
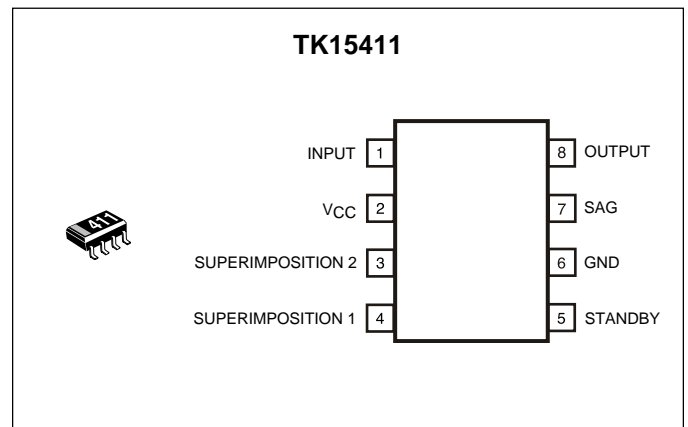
DESCRIPTION

Operating from a single +5 V supply, the TK15411 is a single-channel video line driver IC that takes a standard video analog input and provides a buffered analog output for driving a 150 Ω load. The standard video input signal ($1 V_{P-P}$ typical) is internally clamped to 1.25 V and amplified 6 dB to produce $2 V_{P-P}$ (typical) into a series 75 Ω resistor and 75 Ω cable load. The internal 1.5 kΩ SAG function resistor provides gain compensation for low frequency signals. The built-in superimpose circuit provides two levels (45 and 140 IRE) of character generation to the video signal. During standby (Pin 5 grounded), the TK15411 consumes only 125 μW of power. Nominal power dissipation (no input) is typically 73 mW.

The TK15411M is available in the SOT23L-8 surface mount package.

APPLICATIONS

- Video Equipment
- Digital Cameras
- CCD Cameras
- TV Monitors
- Video Tape Recorders
- LCD Projectors



ORDERING INFORMATION

TK15411M □□

└─ Tape/Reel Code

TAPE/REEL CODE
TL: Tape Left

TK15411

ABSOLUTE MAXIMUM RATINGS

Supply Voltage 6 V Storage Temperature Range -55 to +150 °C
 Operating Voltage Range 4.5 to 5.5 V Operating Temperature Range -25 to +85 °C
 Power Dissipation (Note 1) 200 mW

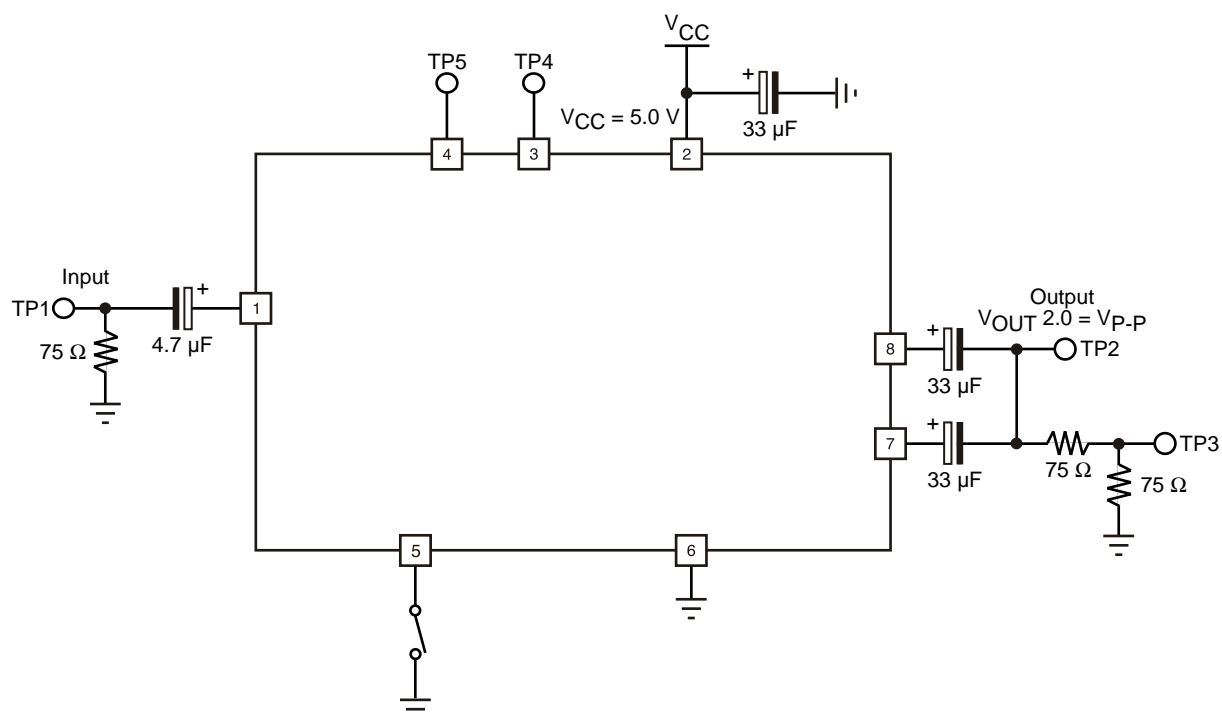
TK15411M ELECTRICAL CHARACTERISTICS

Test conditions: $V_{CC} = 5.0\text{ V}$, $V_{IN} = 1.0\text{ V}_{P-P}$, $R_L = 150\ \Omega$, $T_A = 25\ ^\circ\text{C}$ unless otherwise specified.

SYMBOL	PARAMETER	TEST CONDITIONS	MIN	TYP	MAX	UNITS
I_{CC}	Supply Current	No input		14.5	20.0	mA
I_{STBY}	Standby Supply Current	Pin 5 Grounded		25.0	50.0	μA
I_{OS}	Standby Terminal Current	Pin 5 in Standby mode		25.0	50.0	μA
$V_{THL(SUPER)}$	Superimpose Threshold Voltage (High to Low)	Pin 3, Pin 4	GND		0.80	V
$V_{TLH(SUPER)}$	Superimpose Threshold Voltage (Low to High)	Pin 3, Pin 4	2.00		V_{CC}	V
$V_{THL(STBY)}$	Standby Threshold Voltage (High to Low)	Pin 5 Operating to Standby mode	GND		0.60	V
$V_{TLH(STBY)}$	Standby Threshold Voltage (Low to High)	Pin 5 Standby to Operating mode	2.00		V_{CC}	V
V_{CMP}	Clamp Voltage	Pin 1 Input terminal	1.05	1.25	1.45	V
V_{CHA1}	Character Level 1	Pin 7 SAG terminal	35	45	55	IRE
V_{CHA2}	Character Level 2	Pin 7 SAG terminal	130	140	150	IRE
GVA	Voltage Gain	$f_{in} = 1\text{ MHz}$	5.45	5.95	6.45	dB
DG	Differential Gain	Staircase signal input	-3.0	+1.3	+3.0	%
DP	Differential Phase	Staircase signal input	-3.0	+0.2	+3.0	deg
fr	Frequency Response	$f_{in} = 1\text{ MHz} / 5\text{ MHz}$		-0.4		dB

Note 1: Power dissipation is 200 mW in free air. Derate at 1.6 mW/°C for operation above 25°C.

TEST CIRCUIT



Output Truth Table

Pin 3	Pin 4	Output
L	L	Pin 1
L	H	V_{CHA1}
H	L	V_{CHA2}
H	H	V_{CHA2}

MEASUREMENT METHOD

1. Supply Current (I_{CC})

The Pin 2 current is measured with no input signal and the Standby Pin (Pin 5) open.

2. Standby Supply Current (I_{STBY})

The Pin 2 current is measured when the Standby Pin (Pin 5) is connected to ground.

3. Standby Terminal Current (I_{OS})

The Pin 5 current is measured when the Standby Pin (Pin 5) is connected to ground.

4. Threshold Voltage (High to Low) ($V_{THL(STBY)}$)

The Pin 5 voltage is measured at the point which changes the device from operating mode into standby mode.

TK15411

MEASUREMENT METHOD (CONT.)

5. Threshold Voltage (Low to High) ($V_{TLH(STBY)}$)

The Pin 5 voltage is measured at the point which changes the device from standby mode into operating mode.

6. Threshold Voltage (High to Low) ($V_{THL(SUPER)}$)

The voltage at TP4 and TP5 is slowly decreased. The TP4 and TP5 voltage level is measured at the point at which the video signal is applied to TP2.

7. Threshold Voltage (Low to High) ($V_{TLH(SUPER)}$)

The voltage at TP4 and/or TP5 is slowly increased. The TP4 and TP5 voltage levels are measured at the point at which the appropriate character signal per the output truth table is applied to TP2.

8. Clamp Voltage (V_{CMP})

The DC voltage at Pin 1 is measured with no input signal.

9. Character Level 1 (V_{CHA1})

The character level 1 equation is as follows:

$$V_{CHA1} = (V2 - V1)/(1/140)$$

Where V1 is the measured voltage at TP3 when TP4 and TP5 are at a low level and V2 is the measured voltage at TP3 when TP4 is at a high level and TP5 is at a low level. (V2 is also the voltage measured at TP3 when TP4 and TP5 are both at high level.)

10. Character Level 2 (V_{CHA2})

The character level 2 equation is as follows:

$$V_{CHA2} = (V2 - V1)/(1/140)$$

Where V1 is the measured voltage at TP3 when TP4 and TP5 are at a low level and V2 is the measured voltage at TP3 when TP4 and TP5 are at a high level.

11. Voltage Gain (GVA)

The voltage gain equation is as follows:

$$GVA = 20 \log_{10} V2/V1$$

Where V1 is the input voltage at TP1 and V2 is the measured voltage at TP2.

12. Differential Gain (DG)

The differential gain is measured at TP3 when a staircase waveform of 10 steps is applied to TP1.

13. Differential Phase (DP)

The differential phase is measured at TP3 when a staircase waveform of 10 steps is applied to TP1.

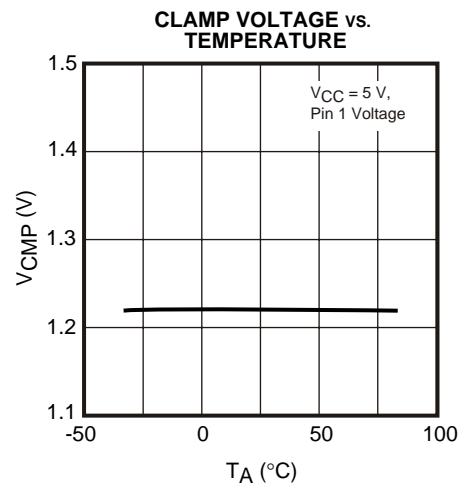
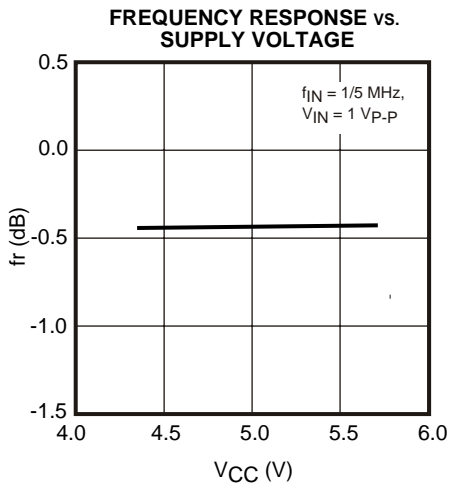
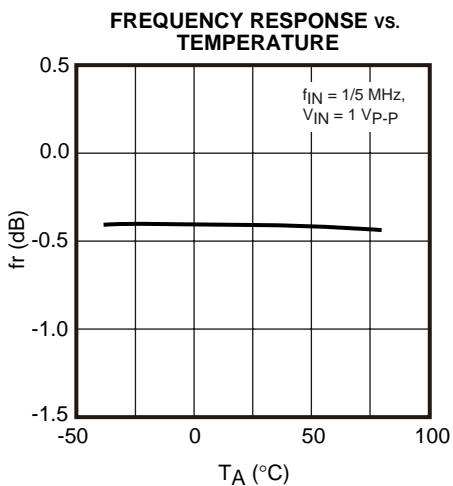
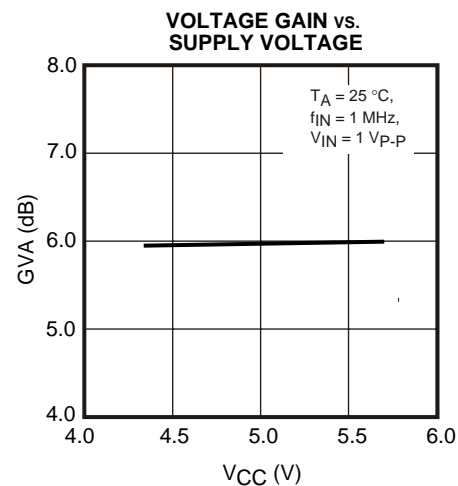
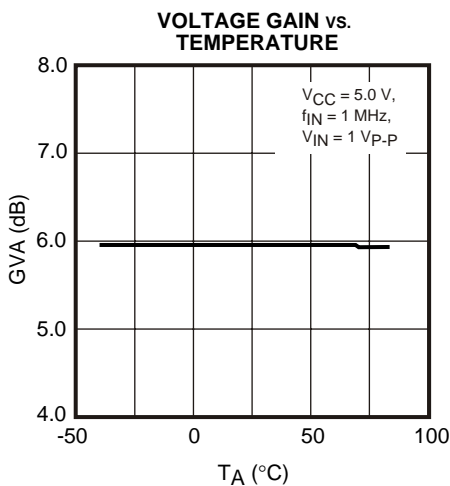
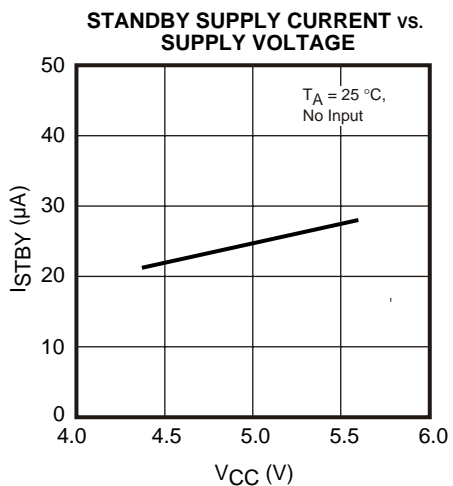
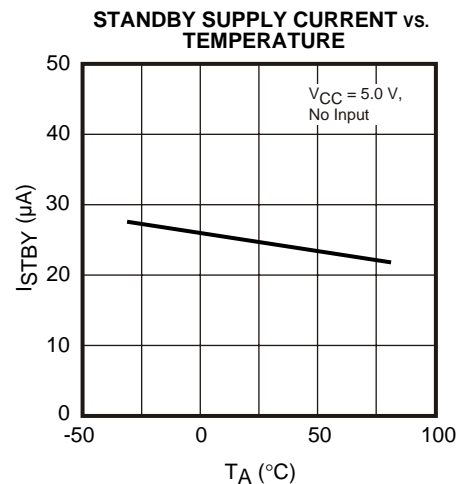
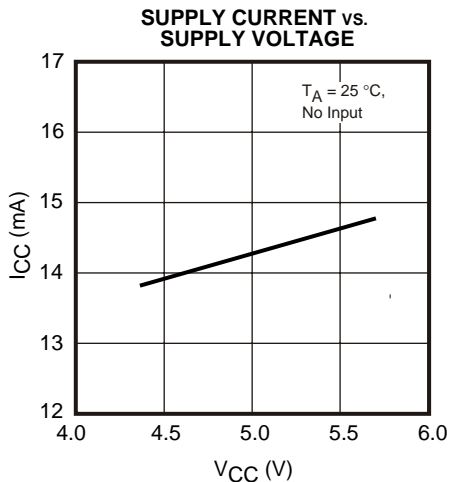
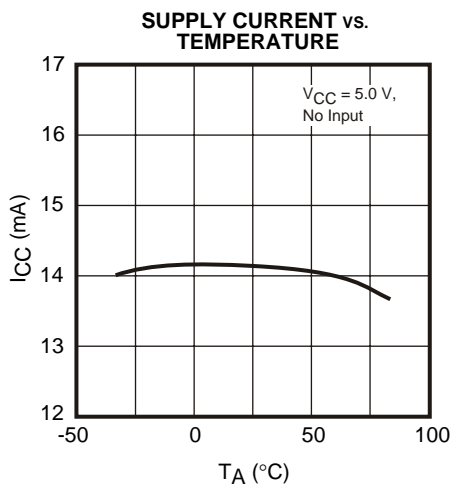
14. Frequency Response (fr)

The frequency response equation is as follows:

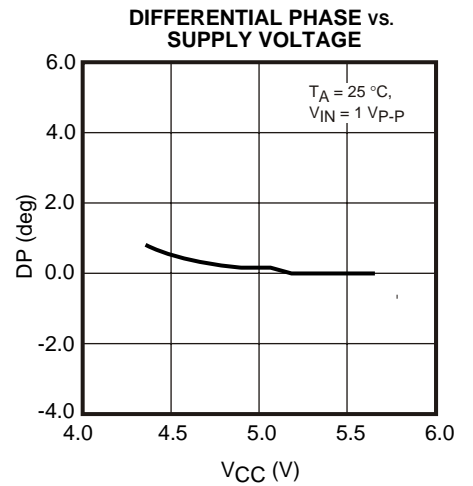
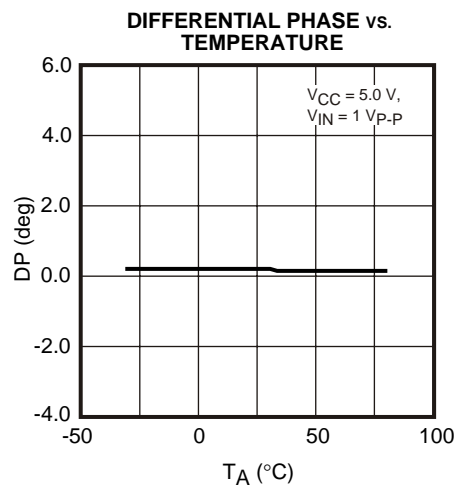
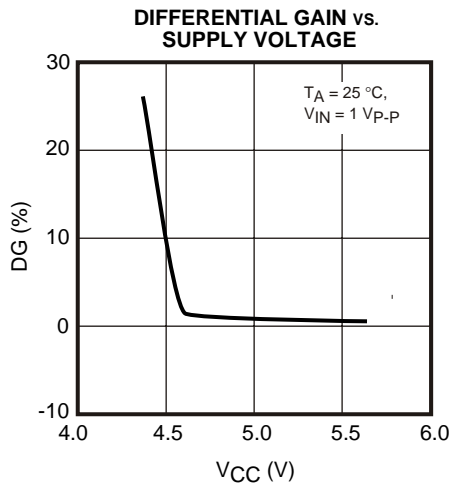
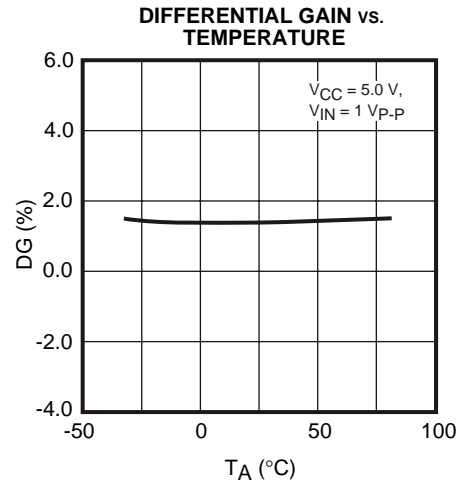
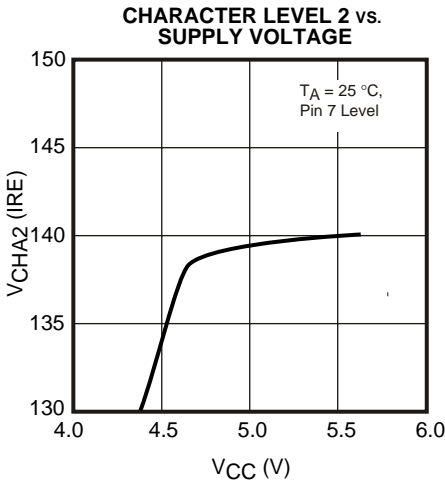
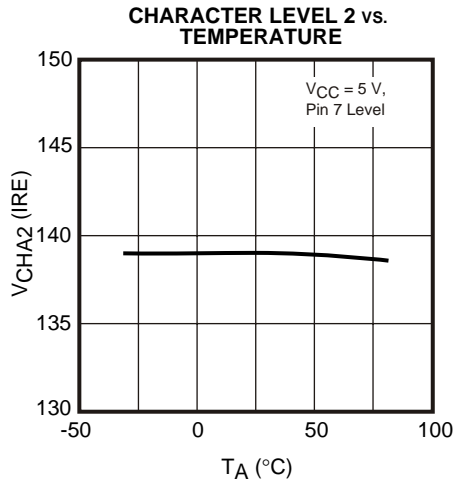
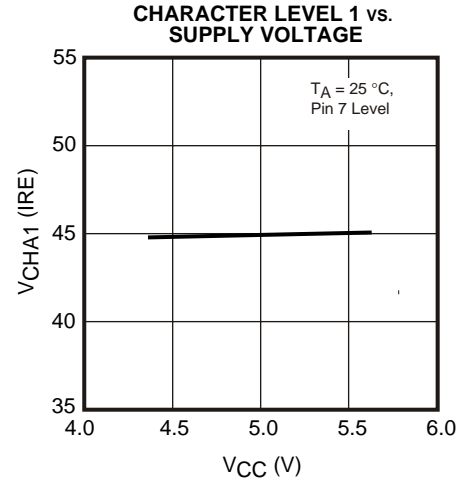
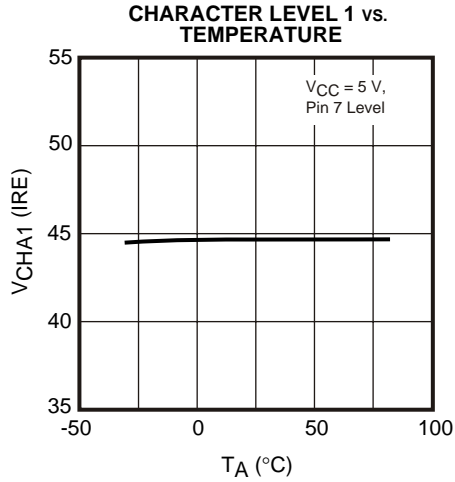
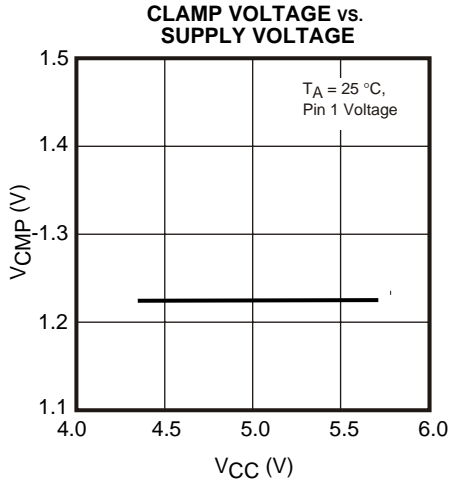
$$fr = 20 \log_{10} V2/V1$$

Where V1 is the measured TP3 voltage when the input frequency is set to 1 MHz and V2 is the measured TP3 voltage when the input frequency is set to 5 MHz.

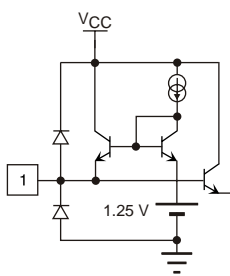
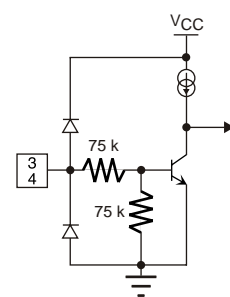
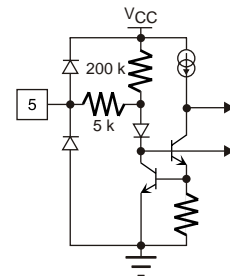
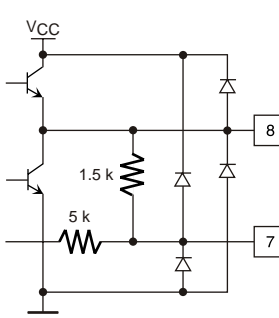
TYPICAL PERFORMANCE CHARACTERISTICS



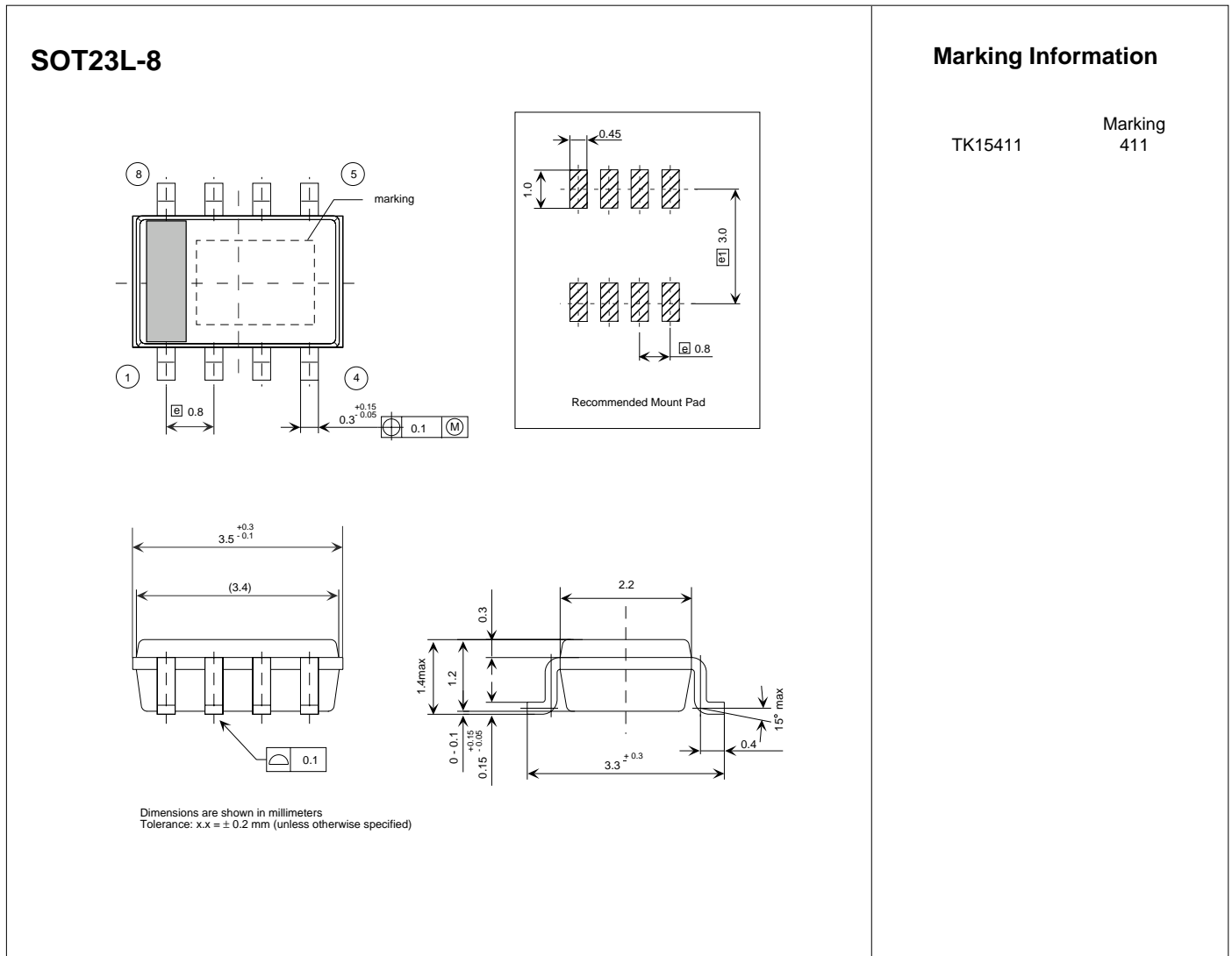
TYPICAL PERFORMANCE CHARACTERISTICS (CONT.)



PIN FUNCTION DESCRIPTION

TERMINAL			INTERNAL EQUIVALENT CIRCUIT	DESCRIPTION
PIN NO.	SYMBOL	VOLTAGE		
1	INPUT	1.25 V		Luminance Input Terminal. The luminance input signal is clamped at 1.25 V.
2	V_{CC}	V_{CC}		Power Supply Terminal
3 4	SUPERIMPOSITION 2 SUPERIMPOSITION 1			Pin 3: Superimposition 2 Terminal. Pin 4: Superimposition 1 Terminal. A video signal, a character signal 1, or a character signal 2 can be selected by combining the logic levels of these two terminals.
5	STANDBY	2.1 V		Standby Logic Terminal. The device is in the standby mode when Pin 5 is connected to Low. The device is in the operating mode when Pin 5 is connected to High or Open.
6	GND	GND		GND Terminal
7 8	SAG OUTPUT	1.25 V 1.25 V		Pin 7: SAG Terminal. Pin 8: Output Terminal. The output is available to drive a $75\ \Omega + 75\ \Omega$ load.

PACKAGE OUTLINE



Toko America, Inc. Headquarters
1250 Feehanville Drive, Mount Prospect, Illinois 60056
Tel: (847) 297-0070 Fax: (847) 699-7864

TOKO AMERICA REGIONAL OFFICES

Midwest Regional Office
Toko America, Inc.
1250 Feehanville Drive
Mount Prospect, IL 60056
Tel: (847) 297-0070
Fax: (847) 699-7864

Western Regional Office
Toko America, Inc.
2480 North First Street, Suite 260
San Jose, CA 95131
Tel: (408) 432-8281
Fax: (408) 943-9790

Eastern Regional Office
Toko America, Inc.
107 Mill Plain Road
Danbury, CT 06811
Tel: (203) 748-6871
Fax: (203) 797-1223

Semiconductor Technical Support
Toko Design Center
4755 Forge Road
Colorado Springs, CO 80907
Tel: (719) 528-2200
Fax: (719) 528-2375

Visit our Internet site at <http://www.tokoam.com>

The information furnished by TOKO, Inc. is believed to be accurate and reliable. However, TOKO reserves the right to make changes or improvements in the design, specification or manufacture of its products without further notice. TOKO does not assume any liability arising from the application or use of any product or circuit described herein, nor for any infringements of patents or other rights of third parties which may result from the use of its products. No license is granted by implication or otherwise under any patent or patent rights of TOKO, Inc.