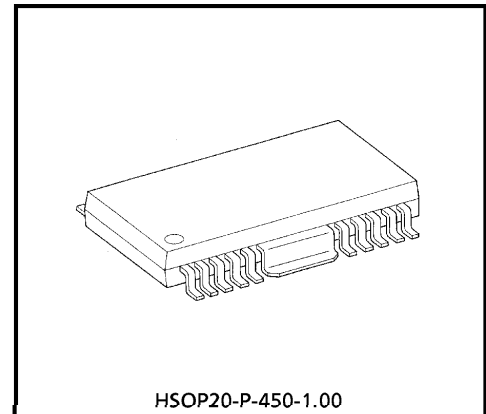


TENTATIVE TOSHIBA BIPOLAR LINEAR INTEGRATED CIRCUIT SILICON MONOLITHIC

TA8042F**5V VOLTAGE REGULATOR WITH WATCHDOG TIMER**

The TA8042F is an IC specially designed for microcomputer systems. It features an accurate reference voltage of $5 \pm 0.15\text{V}$ and various system reset functions. The system reset includes a voltage monitor capable of switching between 4.6V and 4.2V and a watchdog timer for self-diagnosing the system, to prevent a system runaway. The protective functions include a reverse battery polarity, current limiter, and overheat protection. The low standby current of 1mA (max.) enables direct connection to a car battery.



HSOP20-P-450-1.00

Weight : 0.79g (Typ.)

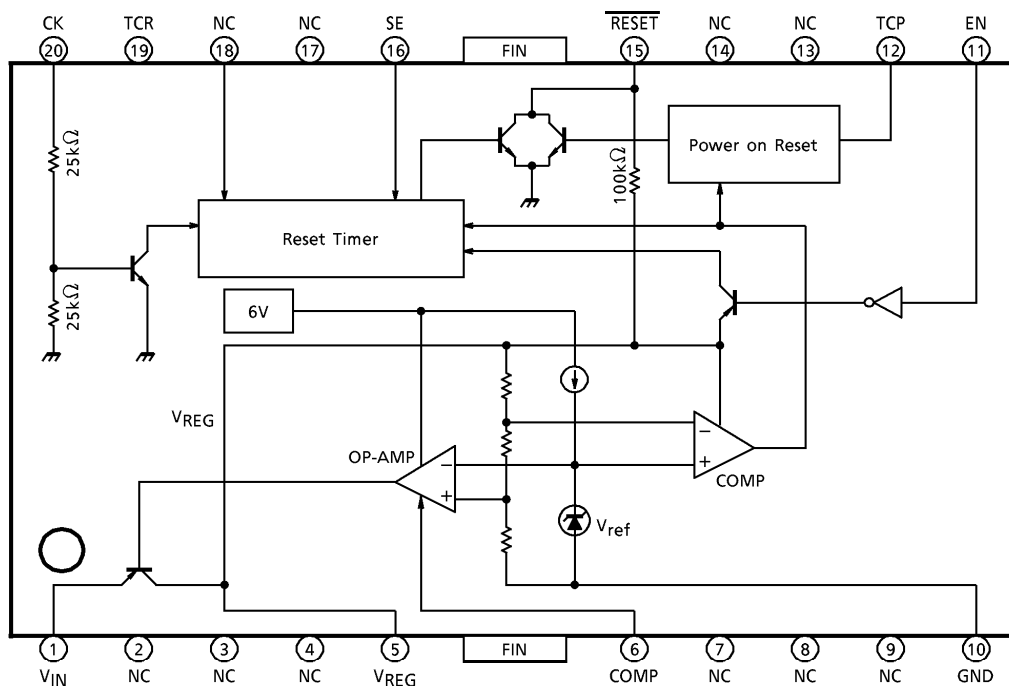
FEATURES

- Accurate output : $5\text{V} \pm 0.15\text{V}$
- Output power transistor attached: Current capacity
100mA (MAX.)
- Low standby current : 1mA (MAX.)
- Low input-output voltage : 0.6V (MAX.)
- Protection functions : Reverse battery polarity, overheat protection, current limiter
- Reset functions : Power-on reset (output timing switching), watchdog low voltage detection
- HSOP-20 pin power flat package

961001EBA1

- TOSHIBA is continually working to improve the quality and the reliability of its products. Nevertheless, semiconductor devices in general can malfunction or fail due to their inherent electrical sensitivity and vulnerability to physical stress. It is the responsibility of the buyer, when utilizing TOSHIBA products, to observe standards of safety, and to avoid situations in which a malfunction or failure of a TOSHIBA product could cause loss of human life, bodily injury or damage to property. In developing your designs, please ensure that TOSHIBA products are used within specified operating ranges as set forth in the most recent products specifications. Also, please keep in mind the precautions and conditions set forth in the TOSHIBA Semiconductor Reliability Handbook.
- The products described in this document are subject to foreign exchange and foreign trade control laws.
- The information contained herein is presented only as a guide for the applications of our products. No responsibility is assumed by TOSHIBA CORPORATION for any infringements of intellectual property or other rights of the third parties which may result from its use. No license is granted by implication or otherwise under any intellectual property or other rights of TOSHIBA CORPORATION or others.
- The information contained herein is subject to change without notice.

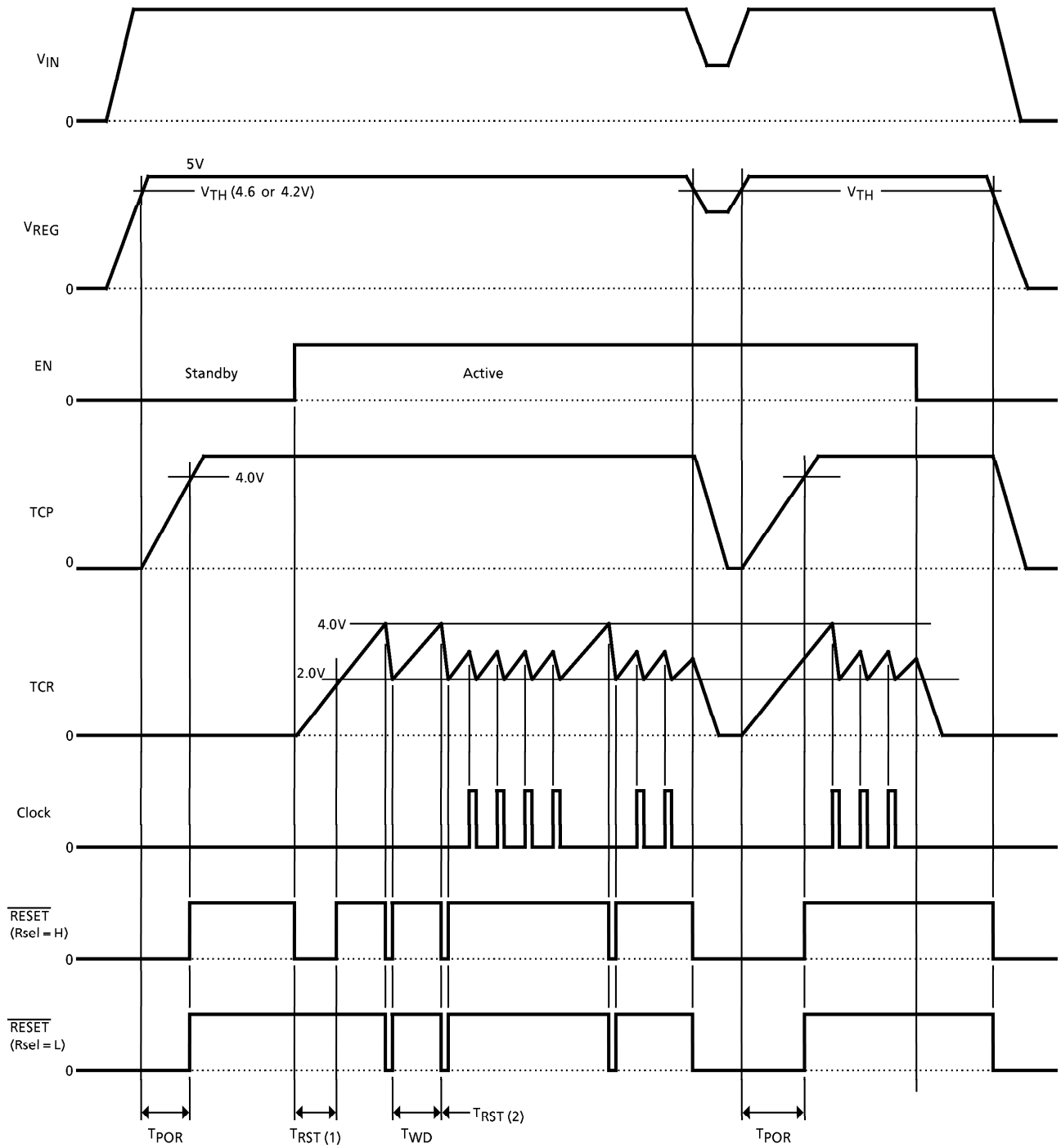
BLOCK DIAGRAM AND PIN LAYOUT



PIN DESCRIPTION

PIN No.	SYMBOL	DESCRIPTION
1	V _{IN}	Power supply input pin
5	V _{REG}	5V rated voltage power supply output pin with a current capacity of 100mA (max.). Also serves as the reset timer power supply pin.
6	COMP	Phase compensation pin for stabilization of output.
10	GND	Grounded
11	EN	Reset timer function ON/OFF control pin. Set to "H" for active mode and "L" for standby mode (current consumption reduced to 1.0mA or less).
12	TCP	Time setting pin for the power-on reset timer when the power is on. Condenser CP connects to GND. Condenser charged with internal rated current.
15	RESET	Reset output pin for watchdog timer. <ul style="list-style-type: none"> Pin supplies reset timer signal as selected by TCR pin condenser. Pin supplies reset pulses intermittently if no clock is given to the CK pin. NPN transistor collector output with pull-up resistor.
16	Rsel	Pin engages power-on reset when changing from standby to active mode. Pin engages power-on reset when Rsel = "H", and does not engage reset when Rsel = "L".
19	TCR	Time setting pin for the reset timer and watchdog timer. Condenser C _T connects to GND. Condenser charged with internal rated current.
20	CK	Clock input pin for watchdog timer. Pin 15 RESET is connected if the IC is used only as a power-on reset timer.
2, 3, 4, 7, 8, 9, 13, 14, 17, 18	N.C	Not connected

TIMING CHART



MAXIMUM RATINGS (Ta = 25°C)

CHARACTERISTIC	SYMBOL	PIN	RATING	UNIT
Input Voltage	V _{IN1}	V _{IN} , EN	60 (1s)	V
	V _{IN2}	V _{IN}	- 30 (Note 1)	
	V _{IN3}	CK	- 5~V _{REG}	
	V _{IN4}	Vsel, Rsel	- 0.3~V _{REG}	
Output Current	I _{LOAD}	V _{OUT}	100	mA
	I _{OUT}	RESET	2	
Output Voltage	V _{OUT}	RESET	V _{REG}	V
Power Dissipation	P _D	—	2 (Note 2)	W
Operating Temperature	T _{opr}	—	- 40~105	°C
Storage Temperature	T _{stg}	—	- 55~150	°C
Lead Temperature-time	T _{sol}	—	260 (10s)	°C

(Note 1) : Reverse battery

(Note 2) : When using 50×50×1.6mm, 50% Cu board

ELECTRICAL CHARACTERISTICS (V_{IN} = 6 to 18V, I_{LOAD} = 10mA, Ta = - 40 to 105°C)

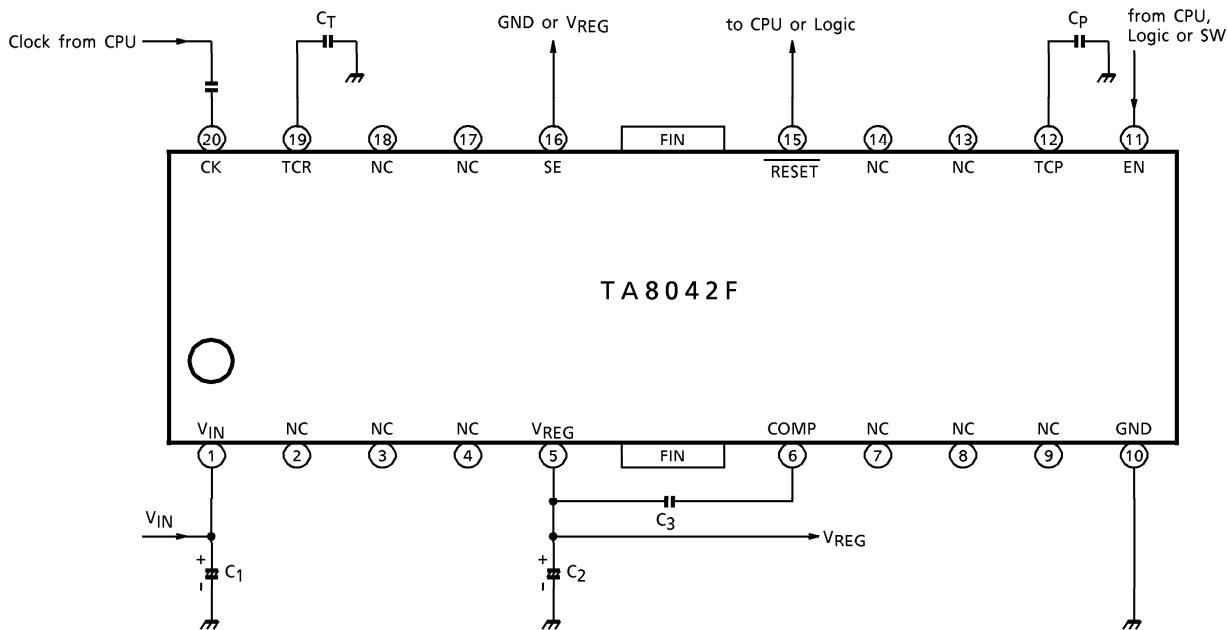
CHARACTERISTIC	SYMBOL	PIN	TEST CIR-CUIT	TEST CONDITION	MIN.	TYP.	MAX.	UNIT
Output Voltage	V _{REG}	V _{REG}	—		4.85	5.0	5.15	V
Line Regulation	V _{LINE}	V _{REG}	—	V _{IN} = 5.5~40V	—	0.1	0.5	%
Load Regulation	V _{LOAD}	V _{REG}	—	I _{LOAD} = 1~50mA	—	0.1	0.5	%
Temperature Coefficient	—	V _{REG}	—		—	0.01	—	% / °C
Input-output Voltage	V _{DROP}	V _{REG}	—	I _{LOAD} = 100mA	—	0.3	0.6	V
Current Limiter	I _{LIMIT}	V _{REG}	—		—	200	—	mA
Overheat Detection	T _{SD}	—	—		—	150	—	°C
Input Current	I _{IN}	EN	—	V _{IN} = 0~5V	—	—	5	μA
Input Voltage	V _{IH}			2.0	—	—	V	
	V _{IL}			—	—	1.0	V	
Output Voltage	V _{OL}	RESET	—	I _{OL} = 1mA	—	—	0.5	V
Charging Current	I _{IN}	TCR	—	V _{IN} = 0~3.5V	—	100	—	μA
Threshold Voltage	V _{IH}	TCR	—		—	V _{REG} × 80%	—	V
	V _{IL}			—	V _{REG} × 40%	—	V	
Input Current	I _{IN}	CK	—	V _{IN} = 5V	—	0.17	0.35	mA
Input Voltage	V _{IH}	CK	—		2.0	—	—	V
	V _{IL}			—	—	0.5	V	
Charging Current	I _{IN}	TCP	—	V _{IN} = 0~3.5V	—	100	—	μA
Threshold Voltage	V _{TH}			—	V _{REG} × 80%	—	V	
Reset Detection Voltage	V _{TH-H}	V _{REG}	—	Vsel = GND	—	V _{REG} × 92%	—	V
	V _{TH-L}			Vsel = V _{REG}	—	V _{REG} × 84%	—	V
Standby Current	I _{ST}	V _{IN}	—	V _{IN} = 14V, EN = "L"	—	0.5	1.0	mA

ELECTRICAL CHARACTERISTICS ($V_{IN} = 6$ to $18V$, $I_{LOAD} = 10mA$, $T_a = -40$ to $105^{\circ}C$)

CHARACTERISTIC	SYMBOL	PIN	TEST CIR-CUIT	TEST CONDITION	MIN.	TYP.	MAX.	UNIT
Power-on Reset Timer	TPOR	\overline{RESET}	—		—	$40 \times C_p$	—	ms
Watchdog Timer	TWD	\overline{RESET}			—	$20 \times C_T$	—	
Reset Timer (1)	TRST (1)	\overline{RESET}			—	$20 \times C_T$	—	
Reset Timer (2)	TRST (2)	\overline{RESET}			—	$0.7 \times C_T$	—	
Clock Pulse Width	T_W	CK	—		3	—	—	μs

(Note) CT is measured in units of μF .

EXAMPLE OF APPLICATION CIRCUIT

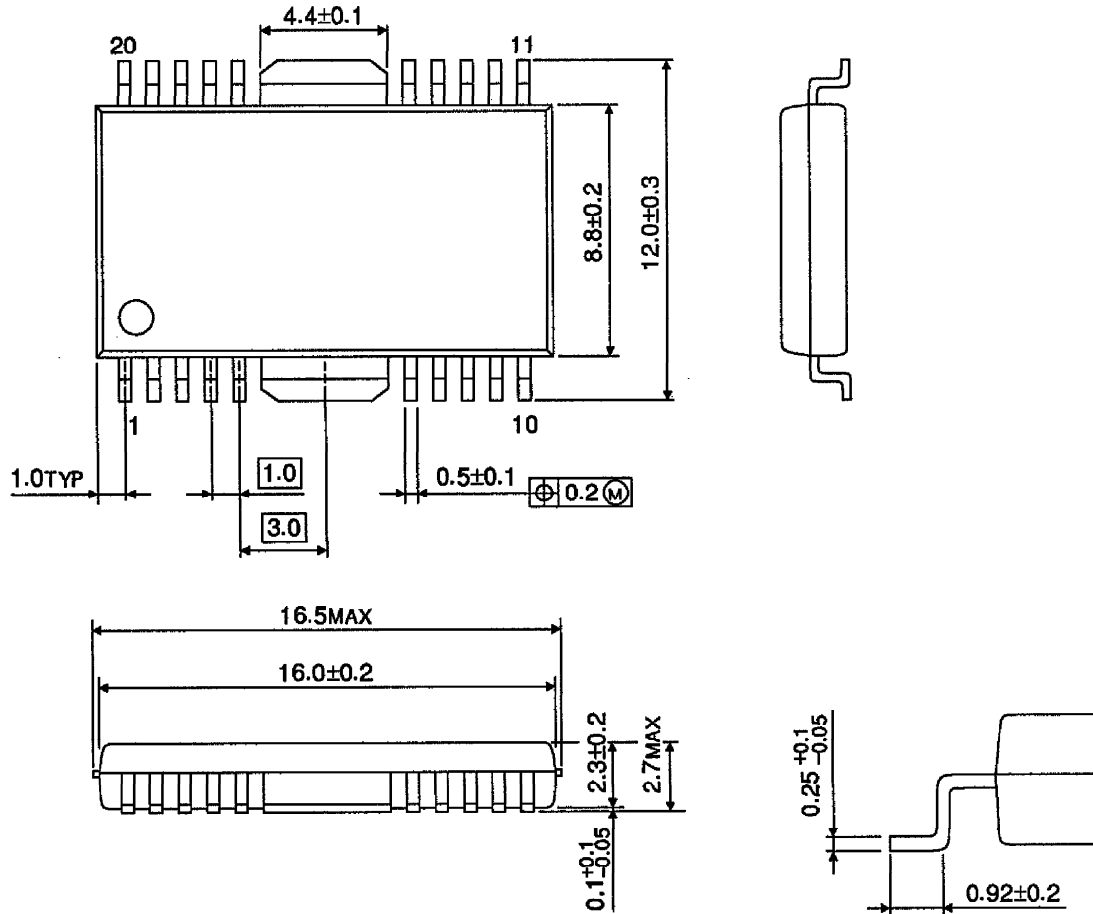


Cautions for Wiring:

C_1 and C_2 are for absorbing disturbances, noise, etc. C_3 is for phase compensation. Connect each condenser as close to the IC as possible.

OUTLINE DRAWING
HSOP20-P-450-1.00

Unit : mm



Weight : 0.79g (Typ.)