

4,194,304 WORD × 1 BIT DYNAMIC RAM

\* This is advanced information and specifications are subject to change without notice.

**DESCRIPTION**

The TC514101AP/AJ/ASJ/AZ is the new generation dynamic RAM organized 4,194,304 words by 1 bit. The TC514101AP/AJ/ASJ/AZ utilizes TOSHIBA's CMOS Silicon gate process technology as well as advanced circuit techniques to provide wide operating margins, both internally and to the system user.

Multiplexed address inputs permit the TC514101AP/AJ/ASJ/AZ to be packaged in a standard 18 pin plastic DIP, 26/20 pin plastic SOJ(300/350mil) and 20 pin plastic ZIP. The package size provides high system bit densities and is compatible with widely available automated testing and insertion equipment. System oriented features include single power supply of 5V±10% tolerance, direct interfacing capability with high performance logic families such as Schottky TTL. The special feature of TC514101AP/AJ/ASJ/AZ is nibble mode, allowing the user to serially access 4 bits of data at a high data rate.

**FEATURES**

- 4,194,304 word by 1bit organization
- Fast access time and cycle time

		TC514101AP/AJ/ASJ/AZ - 60
t <sub>RAC</sub>	$\overline{RAS}$ Access Time	60ns
t <sub>AA</sub>	Column Address Access Time	30ns
t <sub>CAC</sub>	$\overline{CAS}$ Access Time	20ns
t <sub>RC</sub>	Cycle Time	110ns
t <sub>NAC</sub>	Nibble Mode Access Time	20ns
t <sub>NC</sub>	Nibble Mode Cycle Time	40ns

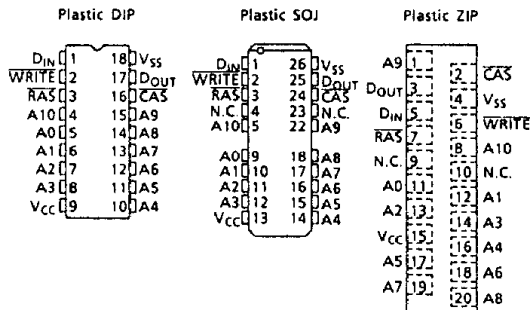
- Single power supply of 5V±10% with a built-in  $V_{BB}$  generator

- Low Power  
660mW MAX. Operating (TC514101AP/AJ/ASJ/AZ -- 60)  
5.5mW MAX. Standby
- Output unlatched at cycle end allows two-dimensional chip selection
- Common I/O capability using "EARLY WRITE" operation
- Read-Modify-Write,  $\overline{CAS}$  before  $\overline{RAS}$  refresh,  $\overline{RAS}$ -only refresh, Hidden refresh, Nibble Mode and Test Mode capability
- All inputs and output TTL compatible
- 1024 refresh cycles/16ms
- Package TC514101AP : DIP18-P-300E  
TC514101AJ : SOJ26-P-350  
TC514101ASJ : SOJ26-P-300A  
TC514101AZ : ZIP20-P-400A

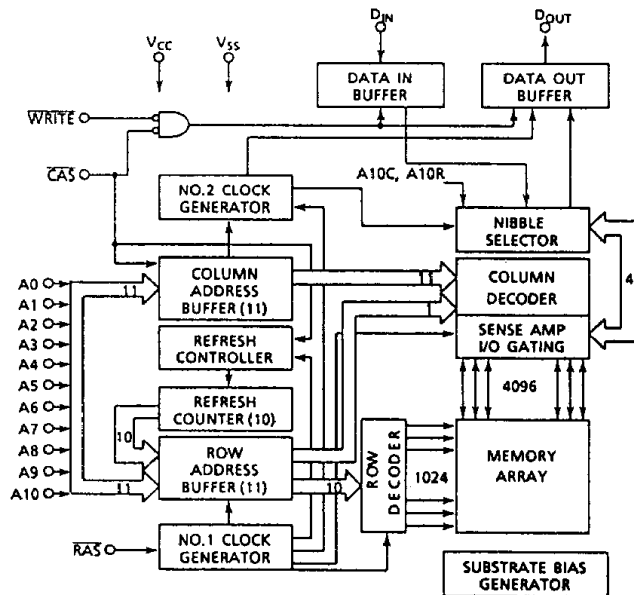
**PIN NAMES**

A0~A10	Address Inputs	WRITE	Read/Write Input
$\overline{CAS}$	Column Address Strobe	V <sub>CC</sub>	Power (+5V)
D <sub>IN</sub>	Data In	V <sub>SS</sub>	Ground
D <sub>OUT</sub>	Data Out	N.C.	No Connection
$\overline{RAS}$	Row Address Strobe		

**PIN CONNECTION (TOP VIEW)**



**BLOCK DIAGRAM**



# TC514101AP/AJ/ASJ/AZ-60

## ABSOLUTE MAXIMUM RATINGS

ITEM	SYMBOL	RATING	UNITS	NOTES
Input Voltage	$V_{IN}$	-1~7	V	1
Output Voltage	$V_{OUT}$	-1~7	V	1
Power Supply Voltage	$V_{CC}$	-1~7	V	1
Operating Temperature	$T_{OPR}$	0~70	°C	1
Storage Temperature	$T_{STG}$	-55~150	°C	1
Soldering Temperature · Time	$T_{SOLDER}$	260 · 10	°C · sec	1
Power Dissipation	$P_D$	700	mW	1
Short Circuit Output Current	$I_{OUT}$	50	mA	1

## RECOMMENDED DC OPERATING CONDITIONS (Ta = 0~70°C)

SYMBOL	PARAMETER	MIN.	TYP.	MAX.	UNIT	NOTES
$V_{CC}$	Supply Voltage	4.5	5.0	5.5	V	2
$V_{IH}$	Input High Voltage	2.4	-	6.5	V	2
$V_{IL}$	Input Low Voltage	-1.0	-	0.8	V	2

# TC514101AP/AJ/ASJ/AZ-60

## DC ELECTRICAL CHARACTERISTICS ( $V_{CC} = 5V \pm 10\%$ , $T_a = 0 \sim 70^\circ C$ )

SYMBOL	PARAMETER	MIN.	MAX.	UNITS	NOTES	
$I_{CC1}$	OPERATING CURRENT Average Power Supply Operating Current ( $\overline{RAS}$ , $\overline{CAS}$ , Address Cycling: $t_{RC} = t_{RC}$ MIN. )	TC514101AP/AJ/ASJ/AZ-60	-	120	mA	3, 4 5
$I_{CC2}$	STANDBY CURRENT Power Supply Standby Current ( $\overline{RAS} = \overline{CAS} = V_{IH}$ )		-	2	mA	
$I_{CC3}$	$\overline{RAS}$ ONLY REFRESH CURRENT Average Power Supply Current, $\overline{RAS}$ Only Mode ( $\overline{RAS}$ Cycling, $\overline{CAS} = V_{IH}$ : $t_{RC} = t_{RC}$ MIN. )	TC514101AP/AJ/ASJ/AZ-60	-	120	mA	3, 5
$I_{CC4}$	NIBBLE MODE CURRENT Average Power Supply Current, Nibble Mode ( $\overline{RAS} = V_{IL}$ , $\overline{CAS}$ , Cycling: $t_{NC} = t_{NC}$ MIN. )	TC514101AP/AJ/ASJ/AZ-60	-	50	mA	3, 4 5
$I_{CC5}$	STANDBY CURRENT Power Supply Standby Current ( $\overline{RAS} = \overline{CAS} = V_{CC} - 0.2V$ )		-	1	mA	
$I_{CC6}$	$\overline{CAS}$ BEFORE $\overline{RAS}$ REFRESH CURRENT Average Power Supply Current, $\overline{CAS}$ Before $\overline{RAS}$ Mode ( $\overline{RAS}$ , $\overline{CAS}$ Cycling: $t_{RC} = t_{RC}$ MIN. )	TC514101AP/AJ/ASJ/AZ-60	-	120	mA	3, 5
$I_{I(L)}$	INPUT LEAKAGE CURRENT Input Leakage Current, any input ( $0V \leq V_{IN} \leq 6.5V$ , All Other Pins Not Under Test = $0V$ )		- 10	10	$\mu A$	
$I_{O(L)}$	OUTPUT LEAKAGE CURRENT ( $D_{OUT}$ is disabled, $0V \leq V_{OUT} \leq 5.5V$ )		- 10	10	$\mu A$	
$V_{OH}$	OUTPUT LEVEL Output "H" Level Voltage ( $I_{OUT} = -5mA$ )		2.4	-	V	
$V_{OL}$	OUTPUT LEVEL Output "L" Level Voltage ( $I_{OUT} = 4.2mA$ )		-	0.4	V	

# TC514101AP/AJ/ASJ/AZ-60

## ELECTRICAL CHARACTERISTICS AND RECOMMENDED AC OPERATING CONDITIONS

( $V_{CC} = 5V \pm 10\%$ ,  $T_a = 0 \sim 70^\circ\text{C}$ )(Notes 6, 7, 8)

SYMBOL	PARAMETER	TC514101AP/AJ/ASJ/AZ-60		UNIT	NOTES
		MIN.	MAX.		
$t_{RC}$	Random Read or Write Cycle Time	110	-	ns	
$t_{RMW}$	Read-Modify-Write Cycle Time	135	-	ns	
$t_{NC}$	Nibble Mode Cycle Time	40	-	ns	
$t_{NRMW}$	Nibble Mode Read-Modify Write Cycle Time	65	-	ns	
$t_{RAC}$	Access Time from $\overline{RAS}$	-	60	ns	9,14 15
$t_{CAC}$	Access Time from $\overline{CAS}$	-	20	ns	9,14
$t_{AA}$	Access Time from Column Address	-	30	ns	9,15
$t_{NCAC}$	Nibble Mode Access Time	-	20	ns	9
$t_{CLZ}$	$\overline{CAS}$ to Output in Low-Z	0	-	ns	9
$t_{OFF}$	Output Buffer Turn-off Delay	0	20	ns	10
$t_T$	Transition Time (Rise and Fall)	3	50	ns	8
$t_{RP}$	$\overline{RAS}$ Precharge Time	40	-	ns	
$t_{RAS}$	$\overline{RAS}$ Pulse Width	60	10,000	ns	
$t_{RSH}$	$\overline{RAS}$ Hold Time	20	-	ns	
$t_{CSH}$	$\overline{CAS}$ Hold Time	60	-	ns	
$t_{CAS}$	$\overline{CAS}$ Pulse Width	20	10,000	ns	
$t_{RCD}$	$\overline{RAS}$ to $\overline{CAS}$ Delay Time	20	40	ns	14
$t_{RAD}$	$\overline{RAS}$ to Column Address Delay Time	15	30	ns	15
$t_{CRP}$	$\overline{CAS}$ to $\overline{RAS}$ Precharge Time	5	-	ns	
$t_{CP}$	$\overline{CAS}$ Precharge Time	10	-	ns	
$t_{ASR}$	Row Address Set-Up Time	0	-	ns	
$t_{RAH}$	Row Address Hold Time	10	-	ns	
$t_{ASC}$	Column Address Set-Up Time	0	-	ns	
$t_{CAH}$	Column Address Hold Time	15	-	ns	
$t_{RAL}$	Column Address to $\overline{RAS}$ Lead Time	30	-	ns	
$t_{RCS}$	Read Command Set-Up Time	0	-	ns	
$t_{RCH}$	Read Command Hold Time referenced to $\overline{CAS}$	0	-	ns	11
$t_{RRH}$	Read Command Hold Time referenced to $\overline{RAS}$	0	-	ns	11
$t_{WCH}$	Write Command Hold Time	10	-	ns	
$t_{Wp}$	Write Command Pulse Width	10	-	ns	
$t_{RWL}$	Write Command to $\overline{RAS}$ Lead Time	20	-	ns	
$t_{CWL}$	Write Command to $\overline{CAS}$ Lead Time	20	-	ns	
$t_{DS}$	Data-In Set-Up Time	0	-	ns	12

# TC514101AP/AJ/ASJ/AZ-60

## ELECTRICAL CHARACTERISTICS AND RECOMMENDED AC OPERATING CONDITIONS (Continued)

SYMBOL	PARAMETER	TC514101AP/AJ/ASJ/AZ-60		UNITS	NOTES
		MIN.	MAX.		
$t_{DH}$	Data-In Hold Time	15	-	ns	12
$t_{REF}$	Refresh Period	-	16	ms	
$t_{WCS}$	Write Command Set-Up Time	0	-	ns	13
$t_{CWD}$	$\overline{CAS}$ to $\overline{WRITE}$ Delay Time	20	-	ns	13
$t_{RWD}$	$\overline{RAS}$ to $\overline{WRITE}$ Delay Time	60	-	ns	13
$t_{AWD}$	Column Address to $\overline{WRITE}$ Delay Time	30	-	ns	13
$t_{CSR}$	$\overline{CAS}$ Set-Up Time ( $\overline{CAS}$ before $\overline{RAS}$ )	5	-	ns	
$t_{CHR}$	$\overline{CAS}$ Hold Time ( $\overline{CAS}$ before $\overline{RAS}$ )	15	-	ns	
$t_{RPC}$	$\overline{RAS}$ Precharge to $\overline{CAS}$ Active Time	0	-	ns	
$t_{CPT}$	$\overline{CAS}$ Precharge Time ( $\overline{CAS}$ before $\overline{RAS}$ Counter Test)	30	-	ns	
$t_{NCAS}$	Nibble Mode Pulse Width	20	-	ns	
$t_{NCP}$	Nibble Mode $\overline{CAS}$ Precharge Time	10	-	ns	
$t_{NRSH}$	Nibble Mode $\overline{RAS}$ Hold Time	20	-	ns	
$t_{NCWD}$	Nibble Mode $\overline{CAS}$ to $\overline{WRITE}$ Delay Time	20	-	ns	
$t_{NRWL}$	Nibble Mode $\overline{WRITE}$ Command to $\overline{RAS}$ Lead Time	20	-	ns	
$t_{NCWL}$	Nibble Mode $\overline{WRITE}$ Command to $\overline{CAS}$ Lead Time	20	-	ns	
$t_{WTS}$	Write Command Set-Up Time (Test Mode In)	10	-	ns	
$t_{WTH}$	Write Command Hold Time (Test Mode In)	10	-	ns	
$t_{WRP}$	$\overline{WRITE}$ to $\overline{RAS}$ Precharge Time ( $\overline{CAS}$ before $\overline{RAS}$ Cycle)	10	-	ns	
$t_{WRH}$	$\overline{WRITE}$ to $\overline{RAS}$ Hold Time ( $\overline{CAS}$ before $\overline{RAS}$ Cycle)	10	-	ns	

# TC514101AP/AJ/ASJ/AZ-60

## ELECTRICAL CHARACTERISTICS AND RECOMMENDED AC OPERATION CONDITIONS IN THE TEST MODE

( $V_{CC} = 5V \pm 10\%$ ,  $T_a = 0 \sim 70^\circ C$ ) (Note6, 7, 8)

SYMBOL	PARAMETER	TC514101AP/AJ/ASJ/AZ-60		UNITS	NOTES
		MIN.	MAX.		
$t_{RC}$	Random Read or Write Cycle Time	115	-	ns	
$t_{RAC}$	Access Time from $\overline{RAS}$	-	65	ns	9,14,15
$t_{CAC}$	Access Time from $\overline{CAS}$	-	25	ns	9,14
$t_{AA}$	Access Time from Column Address	-	35	ns	9,15
$t_{RAS}$	$\overline{RAS}$ Pulse Width	65	10,000	ns	
$t_{RSH}$	$\overline{RAS}$ Hold Time	25	-	ns	
$t_{CSH}$	$\overline{CAS}$ Hold Time	65	-	ns	
$t_{CAS}$	$\overline{CAS}$ Pulse Width	25	10,000	ns	
$t_{RAL}$	Column Address to $\overline{RAS}$ Lead Time	35	-	ns	

## CAPACITANCE ( $V_{CC} = 5V \pm 10\%$ , $f = 1MHz$ , $T_a = 0 \sim 70^\circ C$ )

SYMBOL	PARAMETER	MIN.	MAX.	UNIT
$C_{I1}$	Input Capacitance (A0~A10, $D_{IN}$ )	-	5	pF
$C_{I2}$	Input Capacitance ( $\overline{RAS}$ , $\overline{CAS}$ , $\overline{WRITE}$ )	-	7	
$C_O$	Output Capacitance ( $D_{OUT}$ )	-	7	

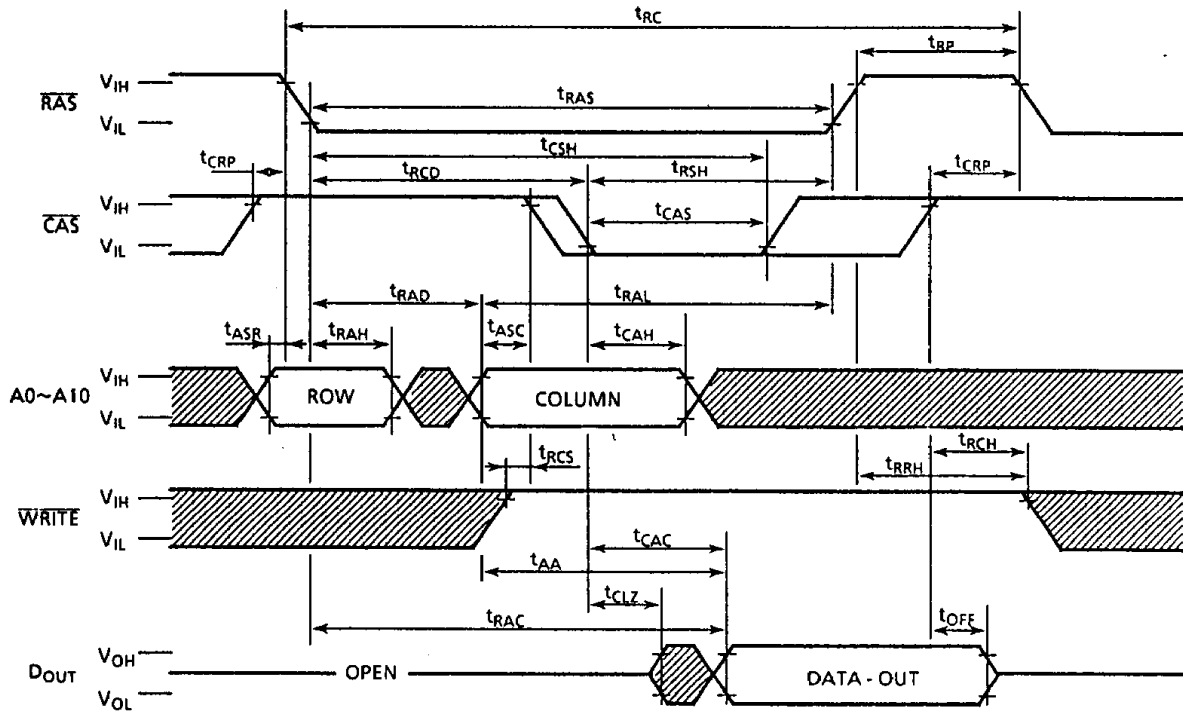
## NOTES:

1. Stresses greater than those listed under "Absolute Maximum Ratings" may cause permanent damage to the device.
2. All voltages are referenced to  $V_{SS}$ .
3.  $I_{CC1}$ ,  $I_{CC3}$ ,  $I_{CC4}$ ,  $I_{CC6}$  depend on cycle rate.
4.  $I_{CC1}$ ,  $I_{CC4}$  depend on output loading. Specified values are obtained with the output open.
5. Column address can be changed once or less While  $\overline{RAS}=V_{IL}$  and  $\overline{CAS}=V_{IH}$ .
6. An initial pause of 200 $\mu$ s is required after power-up followed by 8  $\overline{RAS}$  only refresh cycles before proper device operation is achieved. In case of using internal refresh counter, a minimum of 8  $\overline{CAS}$  before  $\overline{RAS}$  refresh cycles instead of 8  $\overline{RAS}$  only refresh cycles are required.
7. AC measurements assume  $t_p=5$ ns.
8.  $V_{IH}$  (min.) and  $V_{IL}$  (max.) are reference levels for measuring timing of input signals. Also, transition times are measured between  $V_{IH}$  and  $V_{IL}$ .
9. Measured with a load equivalent to 2 TTL loads and 100pF.
10.  $t_{OFF}$  (max.) defines the time at which the output achieves the open circuit condition and is not referenced to output voltage levels.
11. Either  $t_{RCH}$  or  $t_{RRH}$  must be satisfied for a read cycle.
12. These parameters are referenced to  $\overline{CAS}$  leading edge in early write cycles and to  $\overline{WRITE}$  leading edge in read-write cycles.
13.  $t_{WCS}$ ,  $t_{RWD}$ ,  $t_{CWD}$  and  $t_{AWD}$  are not restrictive operating parameters. They are included in the data sheet as electrical characteristics only. If  $t_{WCS} \geq t_{WCS}(\text{min.})$ , the cycle is an early write cycle and data out pin will remain open circuit (high impedance) throughout the entire cycle; If  $t_{RWD} \geq t_{RWD}(\text{min.})$ ,  $t_{CWD} \geq t_{CWD}(\text{min.})$  and  $t_{AWD} \geq t_{AWD}(\text{min.})$  the cycle is a read-write cycle and the data out will contain data read from the selected cell: If neither of the above sets of conditions is satisfied, the condition of the data out (at access time) is indeterminate.
14. Operation within the  $t_{RCD}(\text{max.})$  limit insures that  $t_{RAC}(\text{max.})$  can be met.  
 $t_{RCD}(\text{max.})$  is specified as a reference point only: If  $t_{RCD}$  is greater than the specified  $t_{RCD}(\text{max.})$  limit, then access time is controlled by  $t_{CAC}$ .
15. Operation within the  $t_{RAD}(\text{max.})$  limit insures that  $t_{RAC}(\text{max.})$  can be met.  
 $t_{RAD}(\text{max.})$  is specified as a reference point only: If  $t_{RAD}$  is greater than the specified  $t_{RAD}(\text{max.})$  limit, then access time is controlled by  $t_{AA}$ .

# TC514101AP/AJ/ASJ/AZ-60

## TIMING WAVEFORMS

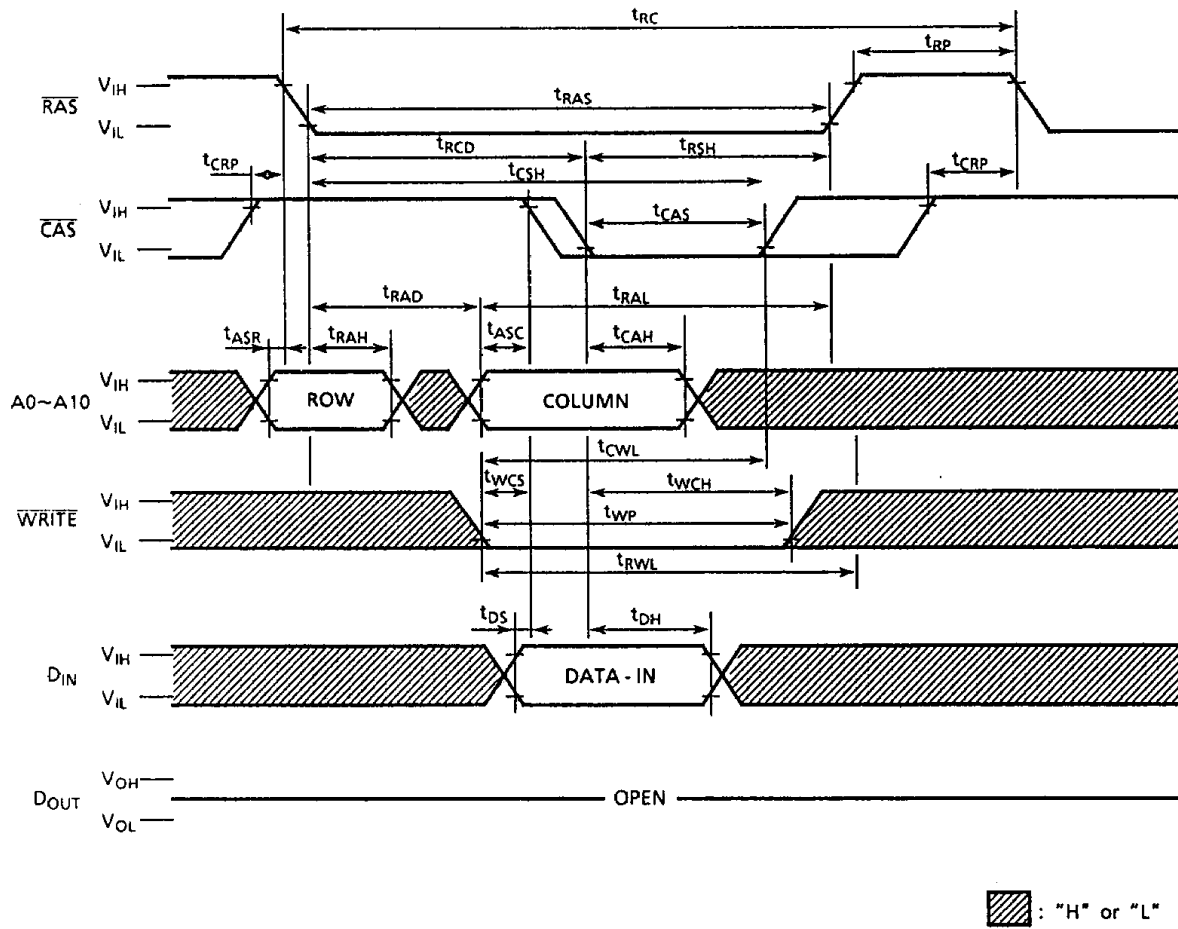
### READ CYCLE



▨ : "H" or "L"

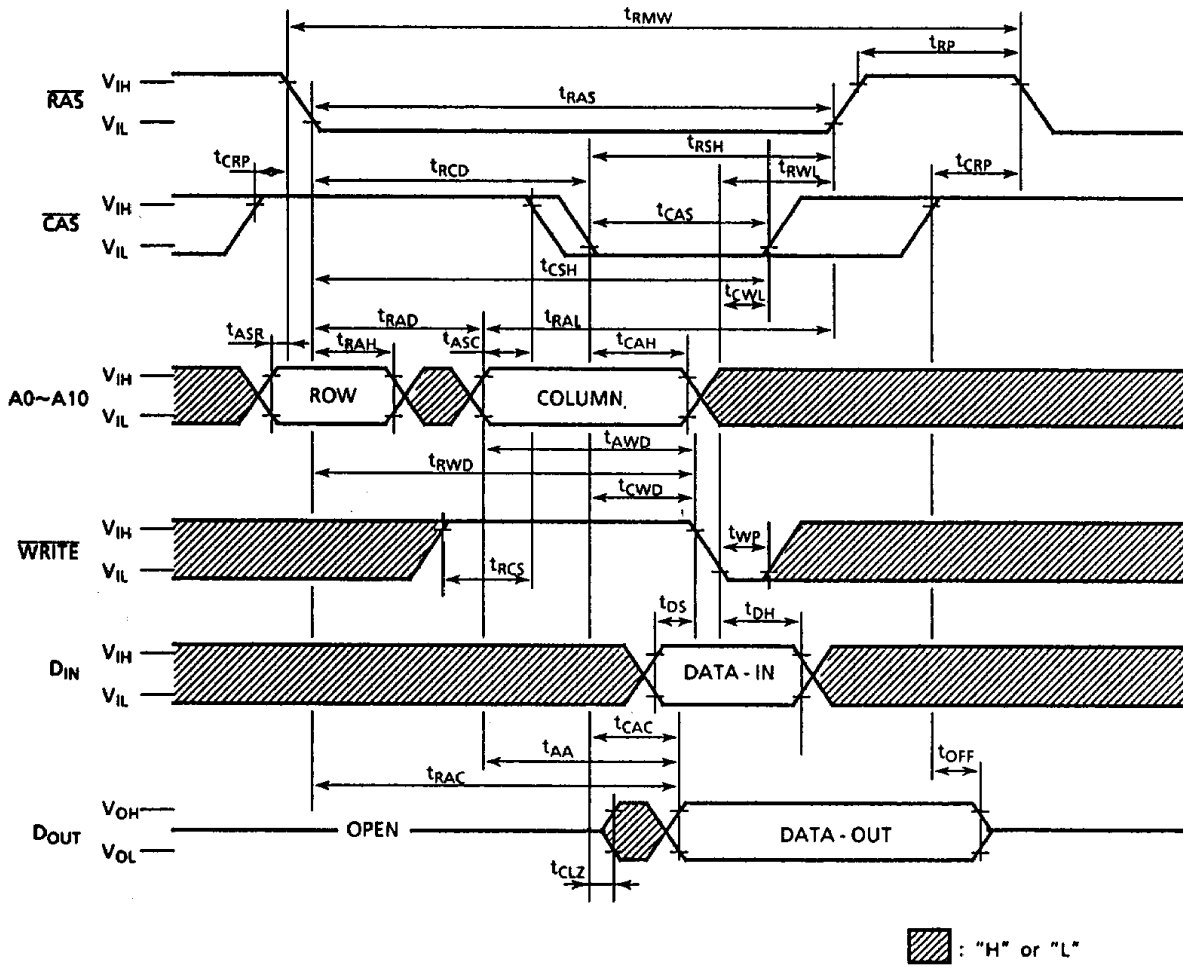


WRITE CYCLE (EARLY WRITE)

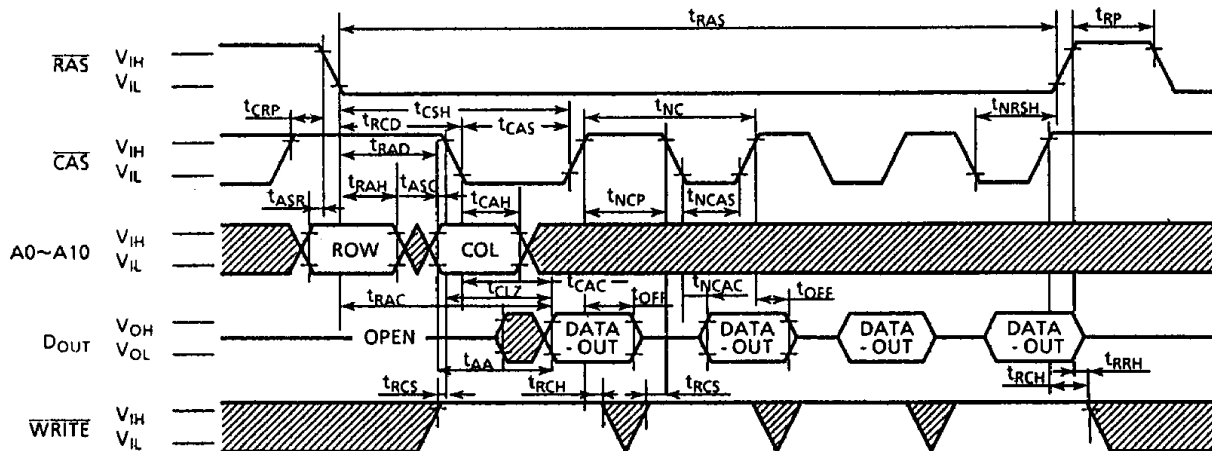


# TC514101AP/AJ/ASJ/AZ-60

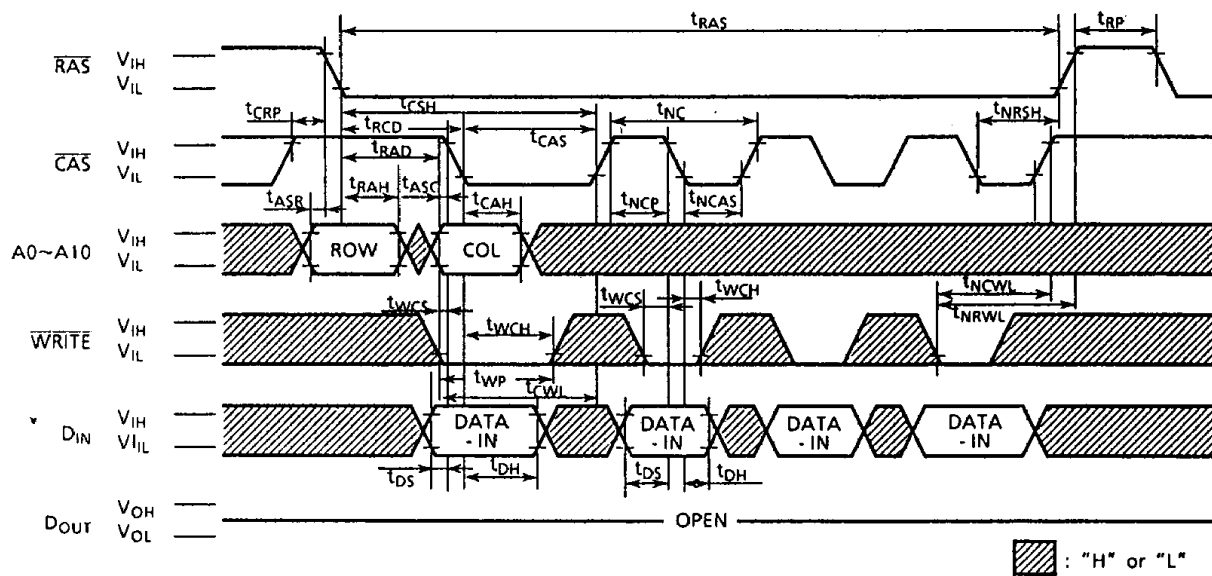
## READ-MODIFY-WRITE CYCLE



NIBBLE MODE READ CYCLE

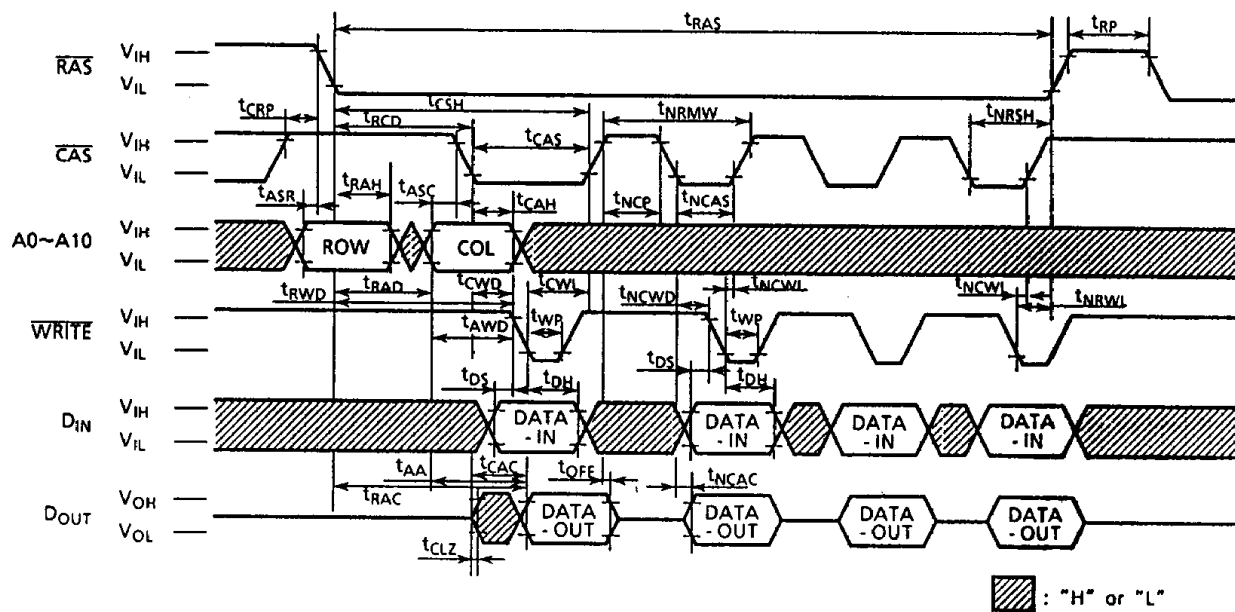


NIBBLE MODE WRITE CYCLE(EARLY WRITE)

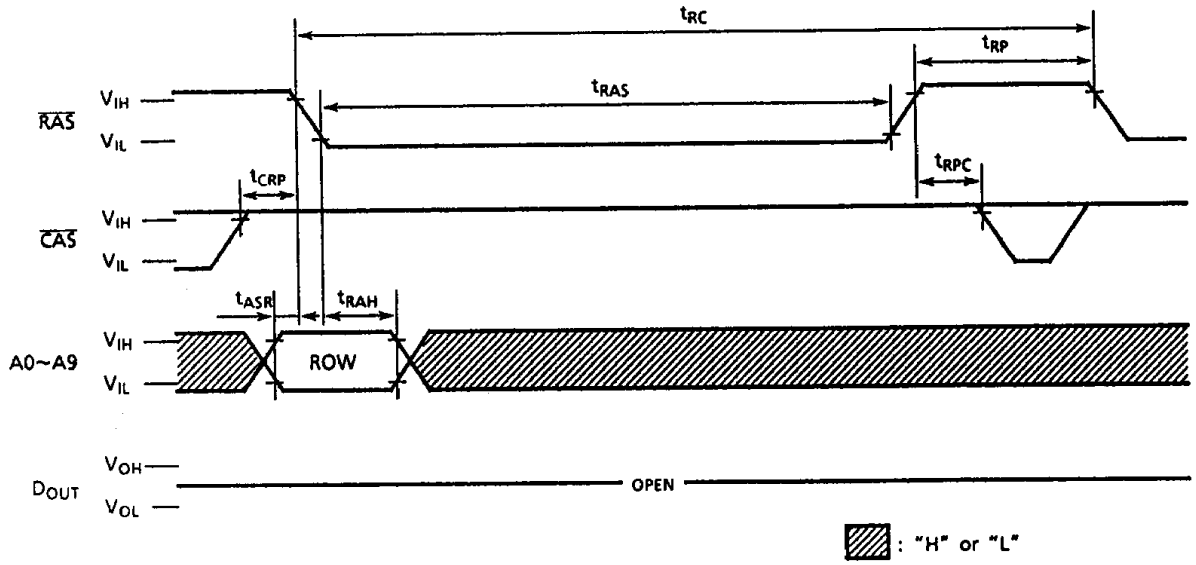


# TC514101AP/AJ/ASJ/AZ-60

## NIBBLE MODE READ - MODIFY - WRITE



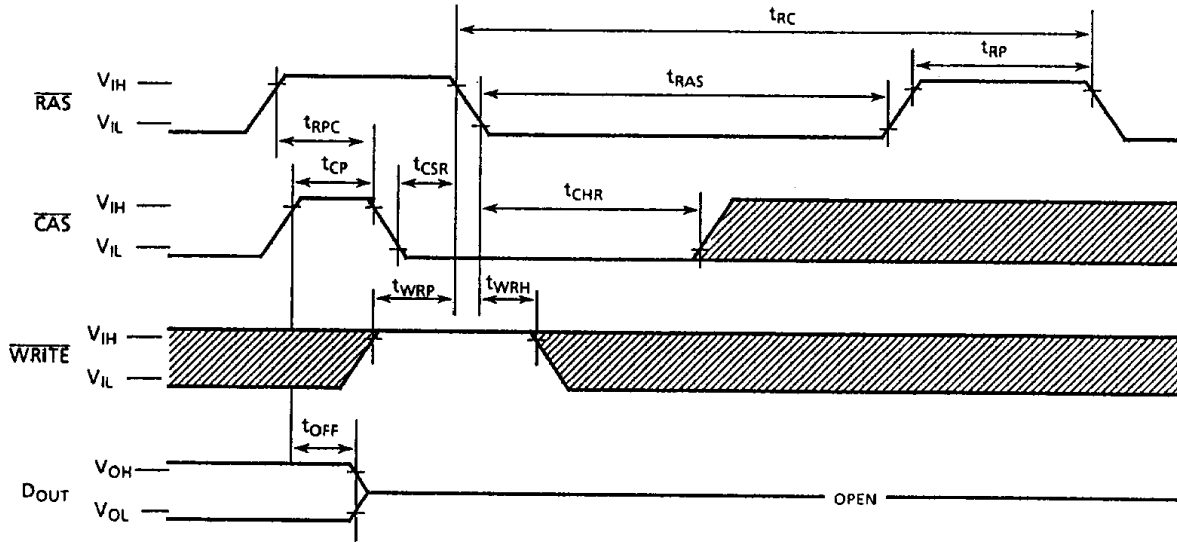
RAS ONLY REFRESH CYCLE




Note:  $\overline{WRITE}$  = "H" or "L" A10 = "H" or "L"

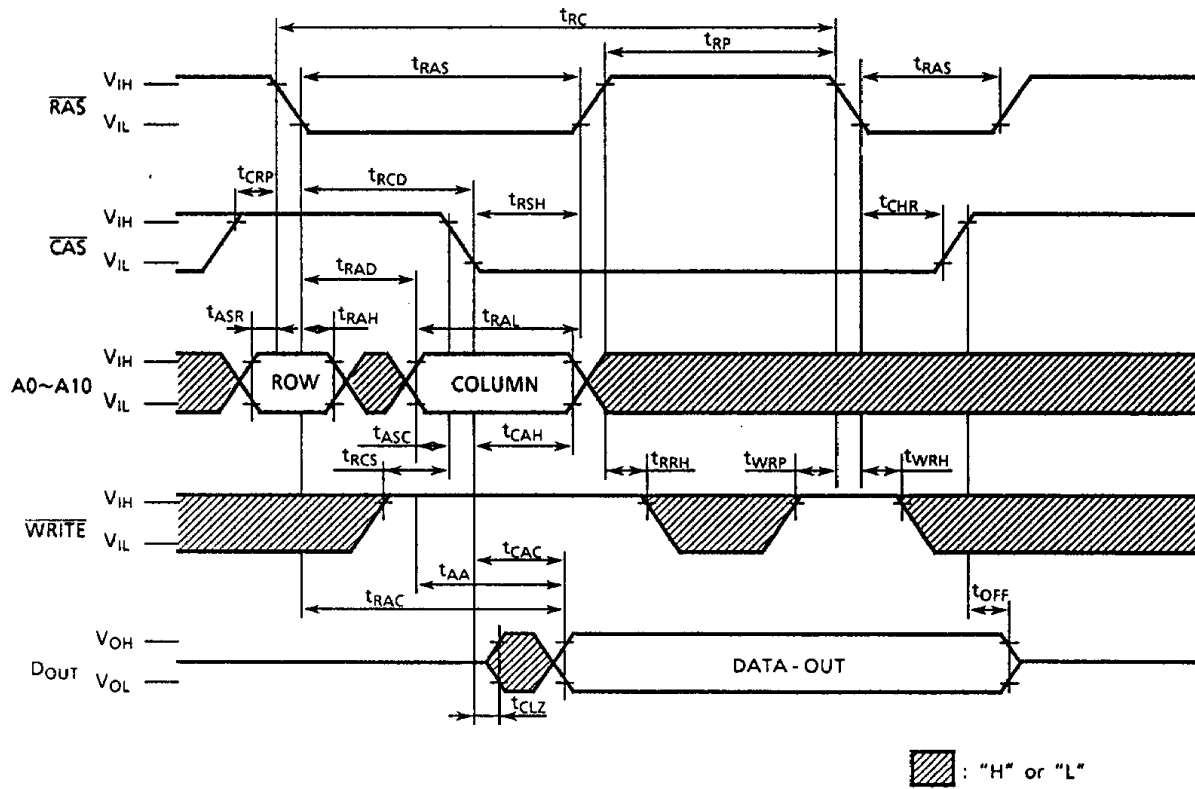
# TC514101AP/AJ/ASJ/AZ-60

## CAS BEFORE RAS REFRESH CYCLE



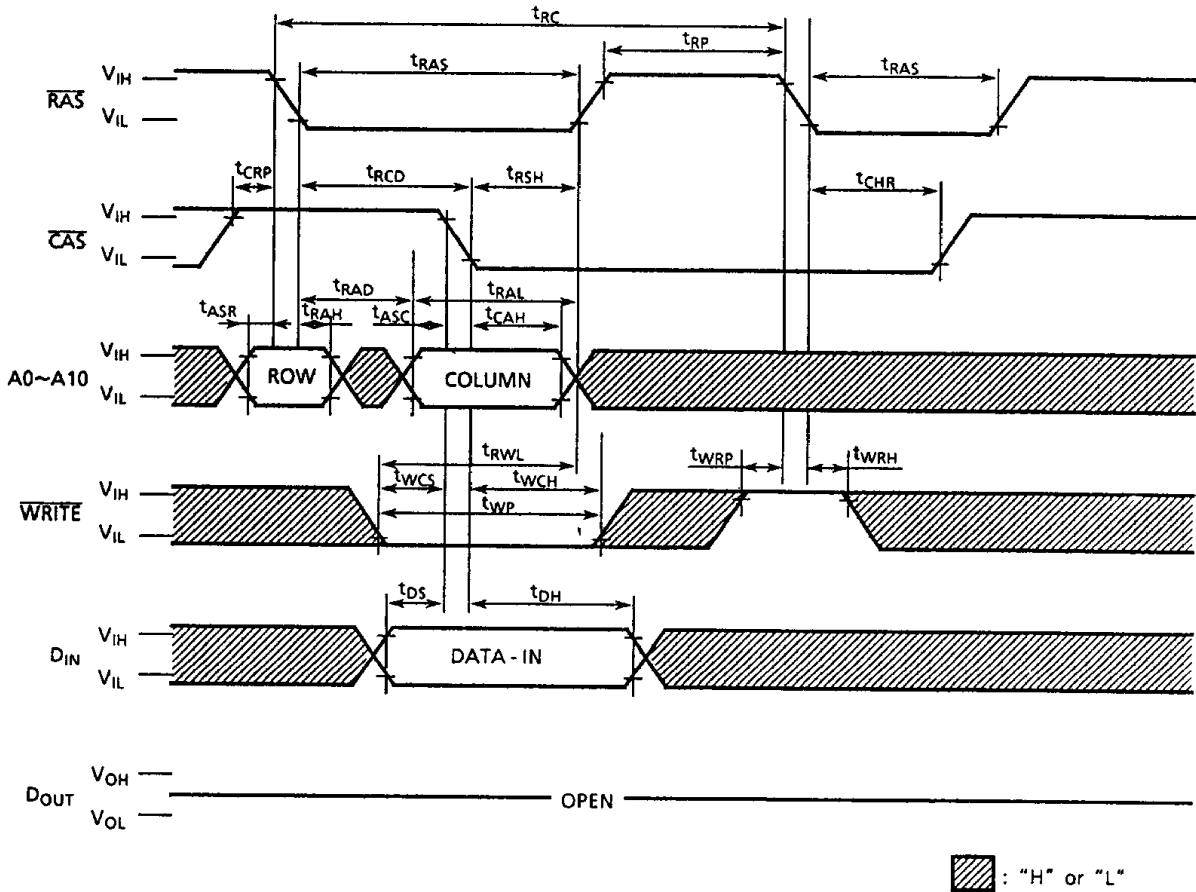
Note: A0~A10="H" or "L"  : "H" or "L"

HIDDEN REFRESH CYCLE (READ)



# TC514101AP/AJ/ASJ/AZ-60

## HIDDEN REFRESH CYCLE (WRITE)

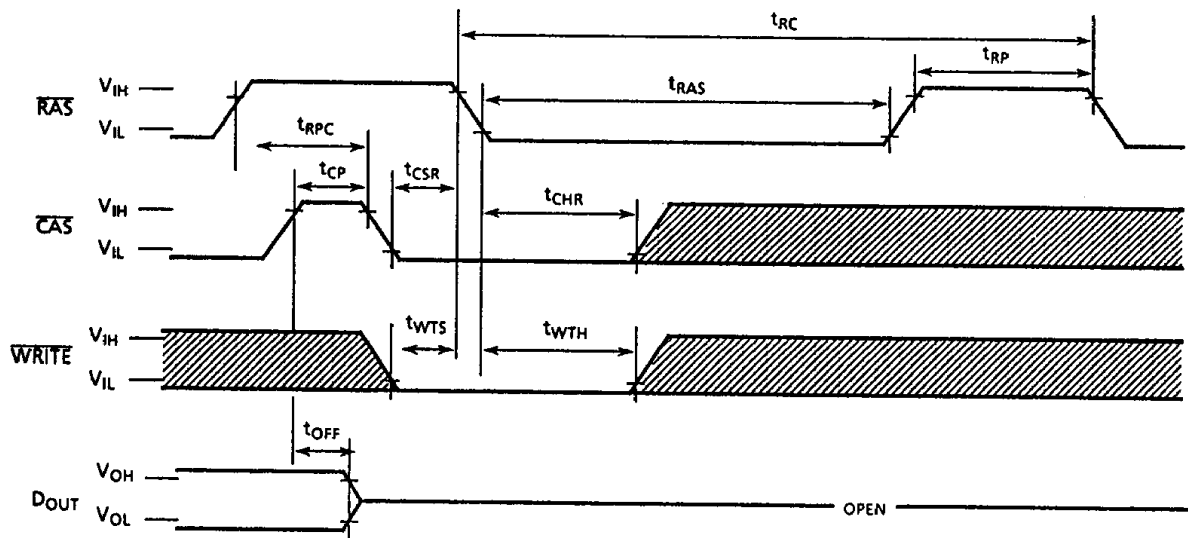







# TC514101AP/AJ/ASJ/AZ-60

## WRITE, CAS BEFORE RAS REFRESH CYCLE



Note:  $D_{IN}, A_0 \sim A_{10} = "H" \text{ or } "L"$   : "H" or "L"

## APPLICATION INFORMATION

### ADDRESSING

The 22 address bits required to decode 1 of the 4,194,304 cell locations within the TC514101AP/AJ/ASJ/AZ are multiplexed onto the 11 address inputs and latched into the on-chip address latches by externally applying two negative going TTL-level clocks.

The first clock, the Row Address Strobe ( $\overline{RAS}$ ), latches the 11 row address bits into the chip. The second clock, the Column Address Strobe ( $\overline{CAS}$ ), subsequently latches the 11 column address bits into the chip. Each of these signals,  $\overline{RAS}$ , and  $\overline{CAS}$ , triggers a sequence of events which are controlled by different delayed internal clocks.

The two clock chains are linked together logically in such a way that the address multiplexing operation is done outside of the critical path timing sequence for read data access. The later events in the  $\overline{CAS}$  clock sequence are inhibited until the occurrence of a delayed signal derived from the  $\overline{RAS}$  clock chain. The "gated  $\overline{CAS}$ " feature allows the  $\overline{CAS}$  clock to be externally activated as soon as the Row Address Hold Time specification ( $t_{RAH}$ ) has been satisfied and the address inputs have been changed from Row address to Column address information.

### DATA INPUT/OUTPUT

Data to be written into a selected cell is latched into an on-chip register by a combination of  $\overline{WRITE}$  and  $\overline{CAS}$  while  $\overline{RAS}$  is active. The later of the signals ( $\overline{WRITE}$  or  $\overline{CAS}$ ) to make its negative transition is the strobe for the Data In ( $D_{IN}$ ) register. This permits several options in the write cycle timing. In a write cycle, if the  $\overline{WRITE}$  input is brought low (active) prior to  $\overline{CAS}$ , the  $D_{IN}$  is strobed by  $\overline{CAS}$  and the set-up and hold times are referenced to  $\overline{CAS}$ . If the input data is not available at  $\overline{CAS}$  time or if it is desired that the cycle be a read-write cycle, the  $\overline{WRITE}$  signal will be delayed until after  $\overline{CAS}$  has made its negative transition. In this "delayed write cycle" the data input set-up and hold times are referenced to the negative edge of  $\overline{WRITE}$  rather than  $\overline{CAS}$ . (To illustrate this feature,  $D_{IN}$  is referenced to  $\overline{WRITE}$  in the timing diagrams depicting the read-modify-write and nibble mode write cycles while the "early write" cycle diagram shows  $D_{IN}$  referenced to  $\overline{CAS}$ ).

Data is retrieved from the memory in a read cycle by maintaining  $\overline{WRITE}$  in the inactive or high state throughout the portion of the memory cycle in which  $\overline{CAS}$  is active (low). Data read from the selected cell will be available at the output within the specified access time.

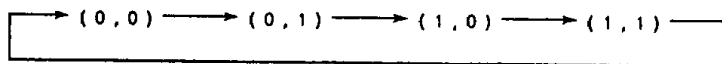
### DATA OUTPUT CONTROL

The normal condition of the Data Output ( $D_{OUT}$ ) of the TC514101AP/AJ/ASJ/AZ is the high impedance (open circuit) state. This is to say, anytime  $\overline{CAS}$  is at a high level, the  $D_{OUT}$  pin will be floating. The only time the output will turn on and contain either a logic 0 or logic 1 is at access time during a read cycle.  $D_{OUT}$  will remain valid from access time until  $\overline{CAS}$  is taken back to the inactive (high level) condition.

### NIBBLE MODE

Nibble mode operation allows faster successive data operation on 4 bits. The first of 4 bits is accessed in the usual manner with read data coming out at  $t_{CAC}$  time. By keeping  $\overline{RAS}$  low,  $\overline{CAS}$  can be cycled up and then down, to read or write the next three pages at high data rate (faster than  $t_{CAC}$ ). Row and column addresses need only be supplied for the first access of the cycles. From then on, the falling edge of  $\overline{CAS}$  will activate the next bit. After four bits have been accessed, the next bit will be the same as the first bit accessed (wrap-around method).

# TC514101AP/AJ/ASJ/AZ-60



Address A10 determines the starting point of the circular 4 bits nibble. Row A10 and column A10 provide the two binary bits needed to select one of four bits.

From then on, successive bits come out in a binary fashion; 00→01→10→11 with A10 row being the least significant address.

A nibble cycle can be a read, write, or delayed write cycle. Any combinations of reads and writes or late writes will be allowed. In addition, the circular wraparound will continue for as long as  $\overline{RAS}$  is kept low.

## $\overline{RAS}$ ONLY REFRESH

Refresh of the dynamic cell matrix is accomplished by performing a memory cycle at each of the 1024 row address (A0~A9) within each 16 millisecond time interval.

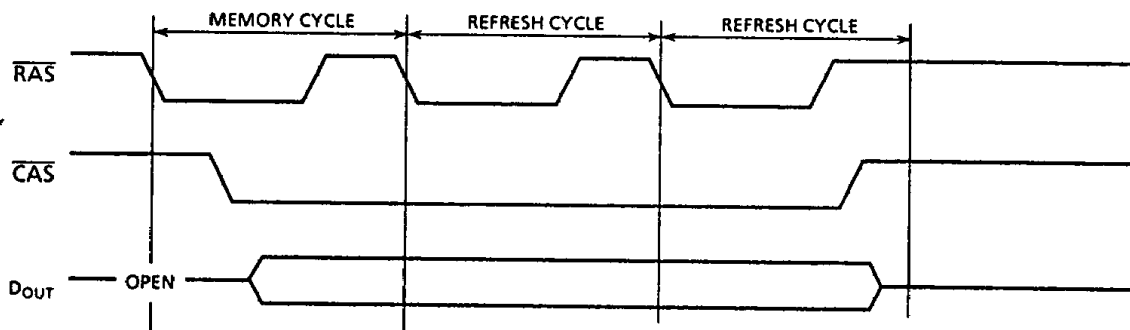
Although any normal memory cycle will perform the refresh operation, this function is most easily accomplished with " $\overline{RAS}$ -only" cycles.

## $\overline{CAS}$ BEFORE $\overline{RAS}$ REFRESH

$\overline{CAS}$  before  $\overline{RAS}$  refreshing available on the TC514101AP/AJ/ASJ/AZ offers an alternate refresh method. If  $\overline{CAS}$  is held on low for the specified period ( $t_{CSR}$ ) before  $\overline{RAS}$  goes to low, on chip refresh control clock generators and the refresh address counter are enabled, and an internal refresh operation takes place. After the refresh operation is performed, the refresh address counter is automatically incremented in preparation for the next  $\overline{CAS}$  before  $\overline{RAS}$  refresh operation.

## HIDDEN REFRESH

An optional feature of the TC514101AP/AJ/ASJ/AZ is that refresh cycles may be performed while maintaining valid data at the output pin. This referred to as Hidden Refresh. Hidden Refresh is performed by holding  $\overline{CAS}$  at  $V_{IL}$  and taking  $\overline{RAS}$  high and after a specified precharge period ( $t_{RP}$ ), executing a  $\overline{CAS}$  before  $\overline{RAS}$  refresh cycle. (see Figure below)



This feature allows a refresh cycle to be "hidden" among data cycles without affecting the data availability.

$\overline{\text{CAS}}$  BEFORE  $\overline{\text{RAS}}$  REFRESH COUNTER TEST

The internal refresh operation of TC514101AP/AJ/ASJ/AZ can be tested by  $\overline{\text{CAS}}$  BEFORE  $\overline{\text{RAS}}$  REFRESH COUNTER TEST. This cycle performs READ/WRITE operation taking the internal counter address as row address and the input address as column address.

The test is performed after a minimum of 8  $\overline{\text{CAS}}$  before  $\overline{\text{RAS}}$  cycles as initialization cycles. The test procedure is as follows.

- ① Write "0" into all the memory cells at normal write mode.
- ② Select one certain column address and read "0" out and write "1" in each cell by performing  $\overline{\text{CAS}}$  BEFORE  $\overline{\text{RAS}}$  REFRESH COUNTER TEST (READ-WRITE CYCLE) . Repeat this operation 1024 times.
- ③ Check "1" out of 1024 bits at normal read mode, which was written at ② .
- ④ Using the same column as ②, read "1" out and write "0" in each cell performing  $\overline{\text{CAS}}$  BEFORE  $\overline{\text{RAS}}$  REFRESH COUNTER TEST. Repeat this operation 1024 times.
- ⑤ Check "0" out of 1024 bits at normal read mode, which was written at ④ .
- ⑥ Perform the above ① to ⑤ to the complement data.

## TEST MODE

The TC514101AP/AJ/ASJ/AZ is the RAM organized 4,194,304 words by 1 bit, it is internally organized 524,288 words by 8 bits. In "Test Mode", data are written into 8 sectors in parallel and retrieved the same way. A10R, A10C and A0C are not used. If, upon reading, all bits are equal (all "1"s or "0"s), the data output pin indicates a "1". If any of the bits differed, the data output pin would indicate shows the block diagram of TC514101AP/ASJ/AZ. In "Test Mode", the 4M DRAM can be tested as if it were a 512K DRAM.

" $\overline{\text{WRITE}}$ ,  $\overline{\text{CAS}}$  Before  $\overline{\text{RAS}}$  Refresh Cycle" puts the device "Test Mode". And " $\overline{\text{CAS}}$  Before  $\overline{\text{RAS}}$  Refresh Cycle" or " $\overline{\text{RAS}}$  Only Refresh Cycle" puts it back into "Normal Mode". In the Test Mode, " $\overline{\text{WRITE}}$ ,  $\overline{\text{CAS}}$  Before  $\overline{\text{RAS}}$  Refresh Cycle" performs the refresh operation with the internal refresh address counter. The "Test Mode" function reduces test times (1/8 in case of N test pattern)

BLOCK DIAGRAM IN THE TEST MODE

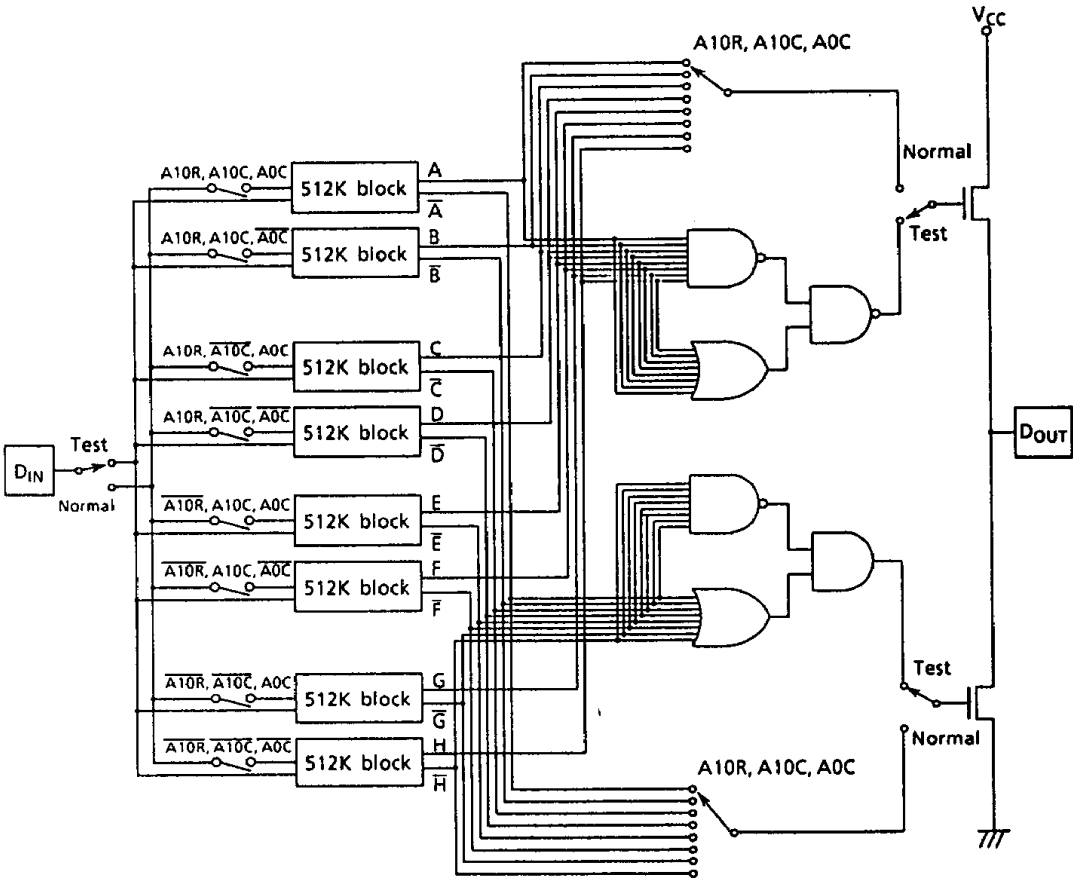


Fig. 1