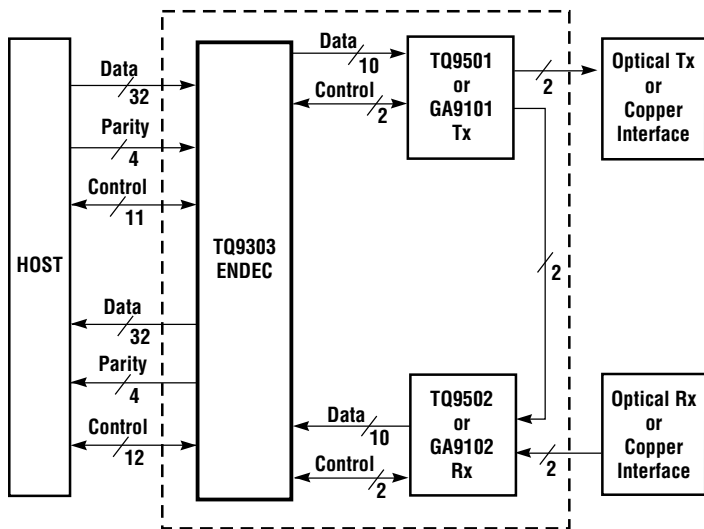


**Figure 1. TQ9303 Block Diagram**



The TQ9303 ENDEC (ENcoder/DECoder) implements 8b/10b encoding and decoding, ordered set encoding and decoding, and parity checking and generation as defined in the Fibre Channel Physical Signaling Interface Standard (FC-PH). The ENDEC fully implements the FC-1 layer of the Fibre Channel Standard. Implemented in a 0.8-micron CMOS process, the ENDEC also performs 32-bit CRC checking and generation as defined in the FC-2 layer of the Fibre Channel specification.

The TQ9303 ENDEC interfaces directly to TriQuint's FC-0 layer Fibre Channel Transmitter (Tx) and Receiver (Rx) chipsets at the speeds shown below:

<b>FC Rate</b>	<b>Transmitter</b>	<b>Receiver</b>	<b>Data Rate (Mbaud)</b>
FC-266	GA9101	GA9102	194–266
FC-531	TQ9501	TQ9502	500–625
FC-1063	TQ9501	TQ9502	1000–1250

Triquint's Transmitter and Receiver devices are designed with TriQuint's proprietary 0.7-micron GaAs process. The Tx and Rx interface directly to copper-based electrical media or to a fiber-optic module. The Transmitter performs parallel-to-serial conversion on the encoded data and generates the internal high-speed clock for the serial output data stream. The Receiver recovers the clock and data from the input serial stream, performs serial-to-parallel conversion, and detects and aligns on the K28.5 character.

# TQ9303

## Fibre Channel Encoder/Decoder

### Features

- Compliant with ANSI X3T11 Fibre Channel Standard
- Full implementation of Fibre Channel's FC-1 layer
- Interfaces directly with TriQuint's GA9101/GA9102 and TQ9501/TQ9502 FC-0 Fibre Channel chipsets
- Suitable for proprietary serial links (virtual ribbon cable)
- Implements 8b/10b encoding and decoding
- Implements ordered set encoding and decoding
- Checks and generates 32-bit CRC and parity
- 10-bit TTL-compatible interface to Transmitter and Receiver
- 32-bit interface to the host
- Fully synchronous operation
- 160-pin PQFP

DATACOM PRODUCTS

## TQ9303

Fibre Channel provides a transport vehicle for Intelligent Peripheral Interface (IPI) and Small Computer System Interface (SCSI) upper layer command sets, High-Performance Parallel Interface (HIPPI) data link layer, and other user-defined command sets. Fibre Channel replaces the SCSI, IPI, and HIPPI physical interfaces with a protocol-efficient alternative that provides performance improvements over distance and speed.

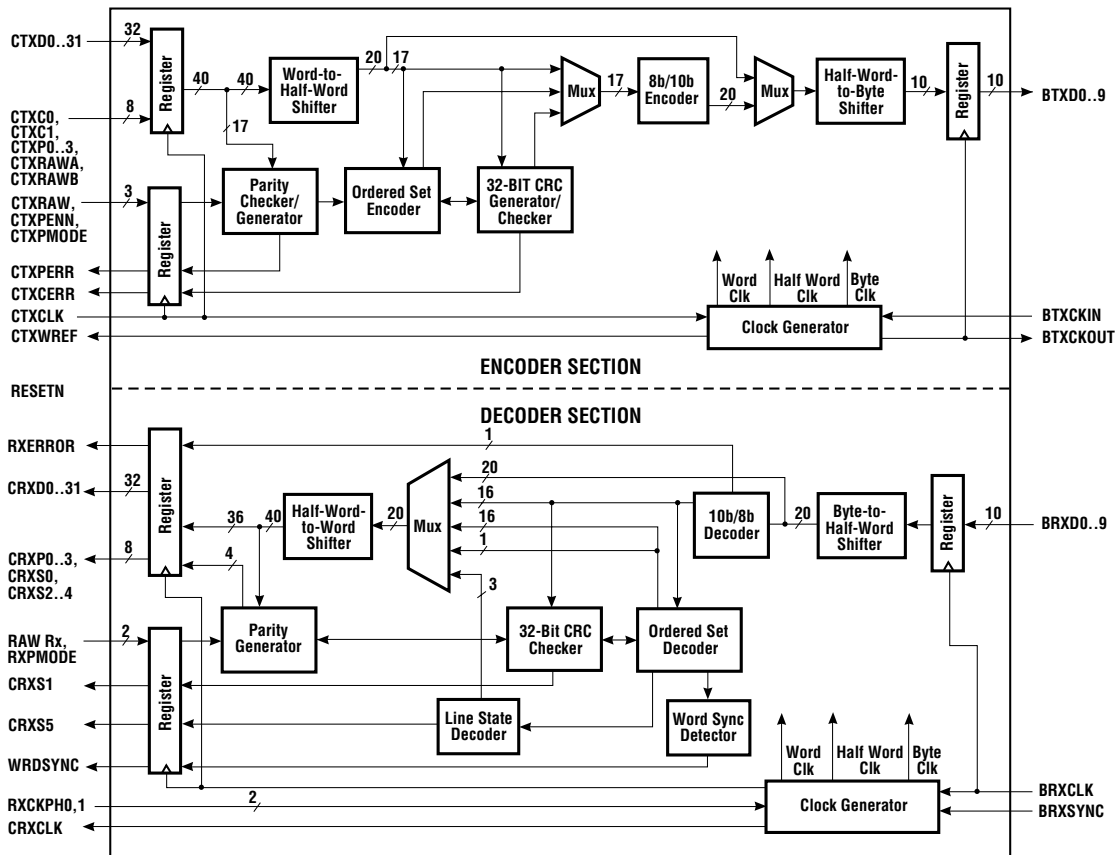
Fibre Channel is optimized for predictable transfers of large blocks of data such as those used in file transfers between processors (such as super computers, mainframes, and super minis), storage systems (such as disk and tape drives), communications devices, and output-only devices (such as laser printers and raster scan

graphics terminals). The Fibre Channel protocol is implemented in hardware, making it simple, efficient, and robust.

The lower level physical interface is decoupled from the higher level protocol, allowing Fibre Channel to be configured with various topologies. Point-to-point, multi-drop bus, ring, and cross-point switch topologies are permitted in Fibre Channel, optimizing it for specific applications.

Fibre Channel supports distances up to 10 Km at baud rates of 132.8125 Mbaud to 1.0625 Gbaud. Coax and STP (Shielded Twisted Pair) are used at lower data rates and shorter distances, while fiber-optic cables are used for higher data rates and longer distances.

**Figure 2. TQ9303 ENDEC Block Diagram**



## Functional Description

The TQ9303 may be divided into two independent functional sections: the Encoder and Decoder, as shown in Figure 2. The Encoder section describes the flow of data from the host to the transmitter. Conversely, the Decoder section describes the flow of data from the receiver to the host. Designed for full-duplex operation, the Encoder and Decoder will transmit and receive one at a time or simultaneously. The Encoder performs 8b/10b encoding of information from the host to the transmitter. The Decoder performs 10b/8b decoding of information from the receiver to the host. The host interface is denoted by a letter C (as in CTXP), and the transmit/receive interface is denoted by a letter B (as in BTXD0). Pins within the Encoder section are denoted with the letters TX (as in CTXP), and pins within the Decoder section are denoted with RX (as in CRXS1). At the host interface, the TQ9303 has a 32-bit transmit data bus and a 32-bit receive data bus, each with 4-bit parity and 8-bit control. The transmitter and receiver interfaces to the TQ9303 are 10-bit data buses. Table 5 includes all the pin descriptions. Detailed descriptions of the Encoder and Decoder sections follow.

### Encoder Section

The Encoder has several functional blocks: Parity Check, 32-Bit CRC, Ordered Set generator, 8b/10b Encoder, and Clock Generator. The Encoder section has two modes of operation: Normal mode and Raw mode. In the Normal mode, the Encoder section receives a word from the host interface, checks parity, calculates CRC, divides the word into bytes, encodes them using 8b/10b, and generates a 10-bit output, as illustrated in Figure 2. In the Raw mode, the Encoder section receives a word from the host interface without parity check, CRC check, or 8b/10b encoding.

The following is the encode sequence data flow:

1. Word input
2. Parity check
3. Word-to-half-word conversion
4. Ordered set encoding
5. 32-bit CRC check or generate
6. Muxing between ordered set, 32-bit CRC, and unchanged input
7. 8b/10b encoding
8. Muxing between unchanged input and encoded word
9. Half-word-to-byte conversion
10. Byte output

### Parity Check Block

Parity check depends on the TXPENN (Transmit Parity ENable Not) input. TXPENN high ignores parity, while TXPENN low checks parity for each byte on the data bus, CTXD0..31. There are four parity bits (CTXP0..3), each bit corresponding to a byte of data, as follows: CTXP0 to CTXD0..7, CTXP1 to CTXD8..15, CTXP2 to CTXD16..23, and CTXP3 to CTXD24..31. Control bit TXPMODE (Transmit Parity MODE) alters the normal meaning of CTXP3. TXPMODE low is the normal mode, where CTXP3 checks for parity for CTXD24..31. With TXPMODE high, CTXP3 checks for parity for CTXD24..31 and CTXC0. CTXC0 is a control input which indicates whether CTXD0..31 is data or an ordered set. An ordered set is a Fibre Channel word where the most significant byte is composed of a valid special character, K28.5, as defined in the standard. Appendix A includes a table of valid special characters. The parity bits follow odd parity convention, where it is high if the number of ones is even and low if the number of ones is odd.

CTXPERR (Transmit Parity ERRor) is driven high when an error is detected in the parity check mode. When parity checking is disabled, CTPERR is driven low. In Raw Mode transmit, where the data flow bypasses the parity check, 32-bit CRC, 8b/10b encoder, and ordered set encoder, CTPERR is driven low.

**32-Bit CRC Block**

32-bit Cyclic Redundancy Checking (CRC) generates or checks CRC, depending on CTXC1. CTXC1 high generates CRC, while CTXC1 low checks CRC for the incoming frame. The CRC used in Fibre Channel is the same as FDDI's frame check sequence, where a 32-bit CRC is computed for every frame, starting after SOF (Start Of Frame) and ending a byte before EOF (End Of Frame). The resulting 32-bit CRC is automatically inserted into the frame before EOF.

In the check CRC mode, CTXCERR (Transmit Crc ERRor) is driven high when a CRC error is detected.

In the generate CRC mode, CTXCERR is driven low. In Raw Mode transmit where the data flow bypasses the parity check, 32-bit CRC, 8b/10b encoder, and ordered set encoder, CTXCERR is driven low.

The Generate CRC mode timing diagrams are shown in Figure 3. CTXC1 is high for the entire frame, when generating CRC. CTXC0 is high only for the duration of SOF, indicating that the input word (CTXD0..31) is an ordered set. Similarly, CTXC0 is high for the duration of EOF, which is another ordered set. The 32-bit CRC block computes the CRC for data after SOF and before EOF. The resulting CRC is inserted between the last data word and EOF at the output (BTXD0..9).

The Check CRC mode timing diagrams are shown in Figure 4. CTXC1 is low for the whole frame when checking CRC. CTXC0 is high only for the duration of SOF, indicating that the input word (CTXD0..31) is an ordered set. Similarly, CTXC0 is high for the duration of EOF, another ordered set. 32-bit CRC begins after SOF

**Figure 3. Generate CRC Mode Timing**

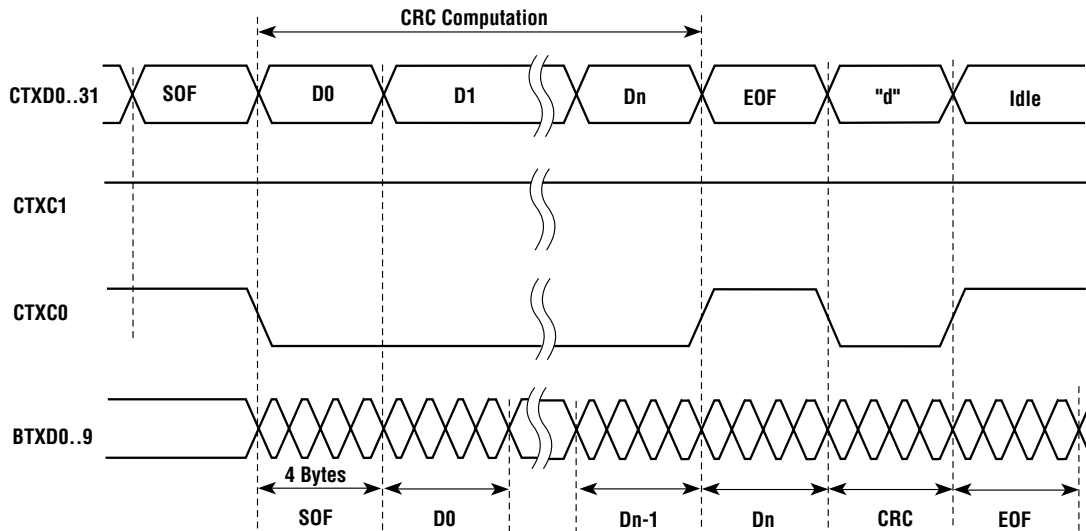
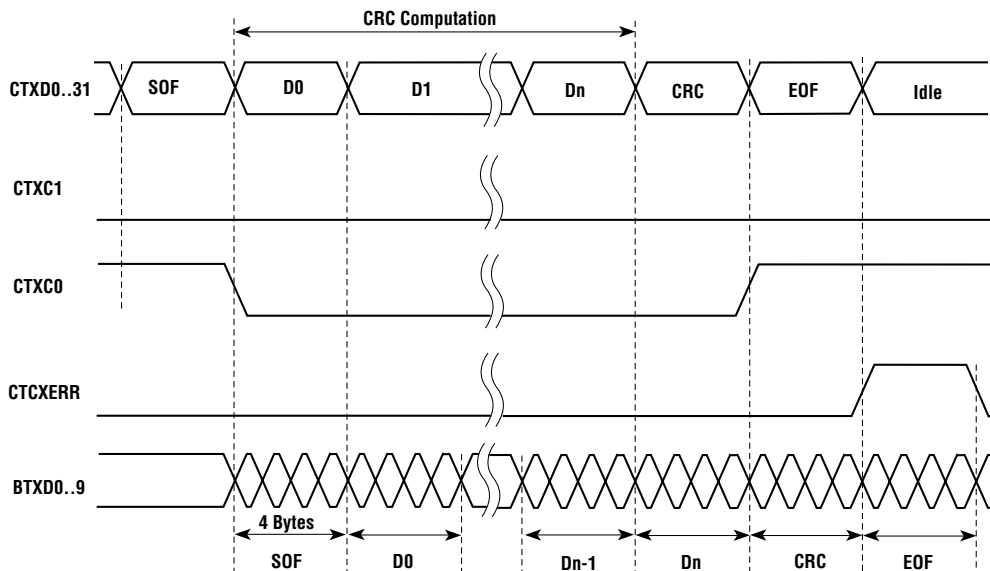


Figure 4. Check CRC Mode Timing



and ends before EOF. CTCXERR remains low if the computed CRC matches the CRC input on CTXD0..31. CTCXERR is driven high for one word cycle after the end of EOF.

If CTXC1 is high (generate CRC) then the ENDEC will add one word (the CRC) to the user's data frame before encoding the EOF. In this situation, when the user commands the ENDEC to encode an EOF, it is latched for one CTXCLK cycle while the ENDEC inserts the generated CRC in the data stream. Then the requested EOF is encoded. During the encoding of the EOF (that is, the one that was latched for encoding after the CRC was inserted) the ENDEC ignores the CTX inputs.

### Ordered Set Generator Block

An ordered set is a Fibre Channel word in which the first byte is a K28.5 special character, followed by valid data characters. Appendix B contains tables for the ordered set coding scheme. When CTXC0 is high, the ordered set generator generates an ordered set from

the most significant byte of the input data, CTXD24..31. Although only the most significant byte of the input word is required for generating an ordered set, and lower order bits CTXD0..23 are "don't cares" for encoding the ordered set, parity checking is performed on the word. Valid word parity must be maintained to prevent parity errors.

If a parity or CRC error is detected within a frame, some EOF ordered sets are modified, indicating an invalid frame. Ordered sets EOF<sub>N</sub> (EOF Normal) and EOF<sub>T</sub> (EOF Terminate) are modified to EOF<sub>NI</sub> (EOF Normal-Invalid).

Any ordered set can be sent or received. If the ordered set desired is not in the predefined set of Fibre Channel ordered sets, the user can create it using the "special" ordered set commands (see Appendix B). For instance, to send "K28.5, D0.0, D31.7, D0.0," the user would send 8500FF00h on CTXD0..31 while holding CTXC0 high. When receiving this same "special" ordered set

(which does not correspond to any predefined Fibre Channel ordered set) the ENDEC will send the user the same value, 8500FF00h, while holding CRXS0 high. It is up to the user to examine the second, third, and fourth bytes of “special” ordered sets to identify them.

### 8b/10b Encoder Block

The 8b/10b Encoder encodes 8-bit-wide data to 10-bit-wide data to improve its transmission characteristics. The 8b/10b coding scheme maintains the signal DC balance by keeping the same number of ones and zeros for easier receiver designs, provides good transition density for improved clock recovery, and improves error checking. It also forces the correct running disparity when encoding line states, idles, or receiver-ready ordered sets. Appendix A contains the lookup tables for the 8b/10b coding scheme.

### Clock Generator Block

The Clock Generator generates word, half-word, and byte clocks required by other blocks in the Encoder. It uses BTXCKIN (a byte clock) from the transmitter as a reference clock. For example, using Fibre Channel data rates, BTXCKIN runs at 106.25 MHz using FC1063, 53.125 MHz using FC531, and 26.5625 MHz using FC266. The Clock Generator generates BTXCKOUT for clocking BTXD0..9. It also generates CTXWREF, a word clock used by the host to generate CTXCLK, which clocks the host I/O registers. CTXCLK runs at 25.5625 MHz using FC1063, 13.28125 MHz using FC531, and 6.640625 MHz using FC266.

### Raw Mode Transmit

In Raw Mode Transmit where TXRAW is high for the whole frame, the input data word bypasses the parity check, ordered set generator, CRC, and 8b/10b, and is directly converted to bytes of data. The word-to-byte mapping of input to output is listed in Table 1. Note that

in raw mode, a “raw” word may be inserted into the data flow at any time, although running disparity will be forced negative and the word sync detector state machine will reset.

### Proprietary Link Mode

The PL\_IDLE (Proprietary Link IDLE) input can be used to simplify designs that do not have to conform to Fibre Channel standards. In such designs the CTXC0 input is driven low (that is, grounded) and the PL\_IDLE pin is used to distinguish data from nondata. The PL\_IDLE pin controls a bit logic in front of the input registers of the CTXC0 and CTXD24..31 inputs. It was added to make it easier for users who aren’t concerned with the Fibre Channel protocol, but simply want to control the transmission of data without having to mux control information into their data paths in order to control the CTXD24..31 pins for ordered set control.

On the rising edge of CTXCLK on the first cycle of PL\_IDLE going high, the input registers for CTXC0 and CTXD24..31 are “jammed” with the value that would make the ENDEC encode an EOFa. As long as PL\_IDLE is held high, these input registers are jammed with the value that would make the ENDEC encode an IDLE ordered set. If CTXC1 is low (check mode) CTXERR will properly reflect the validity of CRC contained in the user’s data (assuming the user’s data contains CRC), or it can be ignored if no CRC is used. If CTXC1 is high (generate mode), the ENDEC will insert CRC before encoding the EOFa followed by IDLEs. This creates a situation in which the user’s data will begin as soon as PL\_IDLE is dropped (with no preceding SOF); but it does not present a problem for the ENDEC, because the CRC blocks in both Rx and Tx halves are initialized by any ordered set. Thus, the IDLE ordered set that precedes the user’s data is sufficient to ensure proper CRC calculation.

**Table 1. Raw Mode I/O Mapping**

<i>TRANSMISSION ORDER</i>	<i>Bit</i>	<i>ENCODE: Word to Bytes</i>		<i>DECODE: Bytes to Word</i>	
FIRST BYTE	39	CTXC0	BTXD0	BRXD0	CRXS0
	38	CTXP3	BTXD1	BRXD1	CRXP3
	37	CTXD31	BTXD2	BRXD2	CRXD31
	36	CTXD30	BTXD3	BRXD3	CRXD30
	35	CTXD29	BTXD4	BRXD4	CRXD29
	34	CTXD28	BTXD5	BRXD5	CRXD28
	33	CTXD27	BTXD6	BRXD6	CRXD27
	32	CTXD26	BTXD7	BRXD7	CRXD26
	31	CTXD25	BTXD8	BRXD8	CRXD25
	FIRST SERIAL BIT IN TX/RX	30	CTXD24	BTXD9	BRXD9
SECOND BYTE	29	CTXC1	BTXD0	BRXD0	CRXS2
	28	CTXP2	BTXD1	BRXD1	CRXP2
	27	CTXD23	BTXD2	BRXD2	CRXD23
	26	CTXD22	BTXD3	BRXD3	CRXD22
	25	CTXD21	BTXD4	BRXD4	CRXD21
	24	CTXD20	BTXD5	BRXD5	CRXD20
	23	CTXD19	BTXD6	BRXD6	CRXD19
	22	CTXD18	BTXD7	BRXD7	CRXD18
	21	CTXD17	BTXD8	BRXD8	CRXD17
	20	CTXD16	BTXD9	BRXD9	CRXD16
THIRD BYTE	19	CTXRAWA	BTXD0	BRXD0	CRXS3
	18	CTXP1	BTXD1	BRXD1	CRXP1
	17	CTXD15	BTXD2	BRXD2	CRXD15
	16	CTXD14	BTXD3	BRXD3	CRXD14
	15	CTXD13	BTXD4	BRXD4	CRXD13
	14	CTXD12	BTXD5	BRXD5	CRXD12
	13	CTXD11	BTXD6	BRXD6	CRXD11
	12	CTXD10	BTXD7	BRXD7	CRXD10
11	CTXD9	BTXD8	BRXD8	CRXD9	
LAST SERIAL BIT IN TX/RX	10	CTXD8	BTXD9	BRXD9	CRXD8
FOURTH BYTE	9	CTXRAWB	BTXD0	BRXD0	CRXS4
	8	CTXP0	BTXD1	BRXD1	CRXP0
	7	CTXD7	BTXD2	BRXD2	CRXD7
	6	CTXD6	BTXD3	BRXD3	CRXD6
	5	CTXD5	BTXD4	BRXD4	CRXD5
	4	CTXD4	BTXD5	BRXD5	CRXD4
	3	CTXD3	BTXD6	BRXD6	CRXD3
	2	CTXD2	BTXD7	BRXD7	CRXD2
	1	CTXD1	BTXD8	BRXD8	CRXD1
	0	CTXD0	BTXD9	BRXD9	CRXD0

DATAQOM  
PRODUCTS

### Proprietary Link Mode (continued)

When PL\_IDLE is driven low, data words on CTXD0..31 are encoded just as in Fibre Channel operation. When PL\_IDLE is driven high, the TQ9303 encodes one EOFa ordered set followed by IDLE ordered sets for as long as PL\_IDLE remains high.

The EOFa ordered set is used to ensure proper running disparity. When using the PL\_IDLE signal, IDLE ordered sets do not force proper running disparity. It is therefore necessary to transmit at least one word with PL\_IDLE low followed by at least one word with PL\_IDLE high in order to guarantee proper running disparity.

Without proper running disparity, the receiver portion of the TQ9303 may flag the IDLE ordered sets as errors and prevent the word sync state machine from reaching the synchronized state as long as the running disparity is incorrect.

Without proper running disparity, the receiver portion of the TQ9303 may flag the IDLE ordered sets as errors and prevent the word sync state machine from reaching the synchronized state as long as the running disparity is incorrect.

The contents and parity of CTXD0..31 and CTXP0..3 are ignored during the word cycles when PL\_IDLE is held high. If CTXC1 is low, then CRC checking will occur, which may cause the TXCERR signal to indicate an error, which can be ignored in proprietary designs. If CTXC1 is driven high, then the TQ9303 will generate a 32-bit CRC word during the first word cycle of PL\_IDLE high. During the second word cycle of PL\_IDLE high, the EOFa will be encoded followed by IDLE ordered sets. Therefore, at least two word cycles of PL\_IDLE high between data bursts must be provided when using CRC generation (that is, CTXC1 high). When using CRC

generation, the CRXS1 signal is used to indicate CRC errors. When not using the CRC, CRXS1 should be ignored. For non-Fibre Channel designs making use of the PL\_IDLE input, the CRXS0 output can be used to distinguish received data from idle time.

### Decoder Section

The Decoder has several functional blocks: 10b/8b Decoder, Ordered Set Decoder, Word Sync Detector, Line State Decoder, 32-bit CRC Checker, Parity Generator, and Clock Generator.

The Decoder section has two modes of operation: the Normal mode and Raw mode. In the Normal mode, the Decoder section takes 10 bits of data from the Receiver output, decodes it using 10b/8b, decodes ordered sets, checks CRC, combines four bytes into a single word output, and generates parity. In the Raw mode, the Decoder section directly combines the bytes into words, bypassing 10b/8b decoding, ordered set decoding, CRC checking, and parity generation.

The following is the decode sequence data flow:

1. Byte Input
2. Byte-to-Half-Word Conversion
3. 10b/8b Decoding
4. Ordered Set Decoding
5. Line State Decoding
6. Word Sync Generation
7. 32-Bit CRC Checking
8. Muxing between Ordered Set, Unchanged Input, 10b/8b Decoded Input, and Status Bits
9. Half-Word-to-Word Conversion
10. Parity Generation
11. Word Output



### 10b/8b Decoder Block

The 10b/8b Decoder decodes the 10-bit input (BRXD0..9) into 8 bits, as defined by the Fibre Channel 8b/10b coding scheme. The 10b/8b Decoder drives the RXERROR (Receiver ERROR) high whenever errors are detected. There are three types of errors: invalid characters, invalid running disparities, and special characters that are not positioned in the most significant byte of a word. When the 10b/8b Decoder receives a BRXSYNC of 1, it identifies the input data byte as a K28.5 character and realigns the data in the higher order byte of the half word. In Fibre Channel, K28.5 characters appear only in the most significant byte of a valid generated parity word. RXERROR remains high for the word cycle in which the error occurred.

### Ordered Set Decoder Block

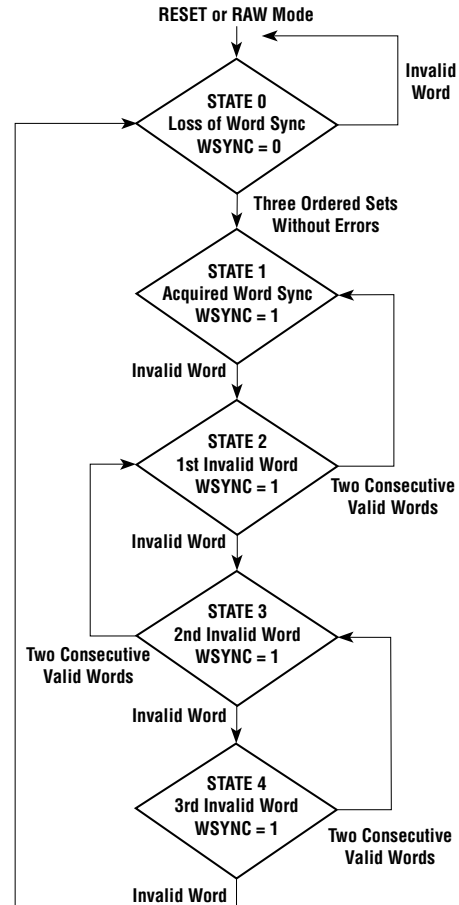
The Ordered Set Decoder decodes the ordered sets from the 10b/8b Decoder output. It generates the decoded ordered set, which is then fed into the mux along with CRXS0. CRXS0 is a status signal which is low for a data word and high for an ordered set. The ordered set decoding table is included in Appendix B.

### Word Sync Detector Block

The Word Sync Detector contains a state machine that monitors the number of valid ordered sets and errors received. The Word Sync Detector drives WRDSYNCN low to indicate that word synchronization on the link has been established. It drives WRDSYNCN high when word synchronization has been lost.

Figure 5 illustrates how word synchronization is established and lost. The state machine has five states: State 0 – Loss of Word Sync, State 1 – Word Sync Acquired, State 2 – 1st Invalid Word, State 3 – 2nd Invalid Word, and State 4 – 3rd Invalid Word. Upon RESET or Raw mode at State 0, the initial condition of

Figure 5. Sync State Flow Diagram



WRDSYNCN is high. If the Word Sync Detector receives three consecutive ordered sets without errors, it acquires word synchronization and moves to State 1, where WRDSYNCN is driven low. If it receives an invalid word while in State 1, it moves to State 2 (1st Invalid Word). If the Word Sync Detector receives an invalid word while in State 2, it moves to State 3 (2nd Invalid Word). If, however, it receives two consecutive valid words, it moves back to State 1. This logic applies to State 3 and State 4. In State 4 (3rd Invalid Word) if the Decoder receives an invalid word, it moves to State 0 (Loss of Word Sync).

**Line State Decoder Block**

The state machine that indicates line state status simply looks for three consecutive line state primitives (that is, three of a kind in a row) to achieve a particular Fibre Channel line state. Line states are used in link initialization protocol, as described in the Fibre Channel specification (FC-PH). A subset of the ordered sets, line states are Fibre Channel primitive sequences which provide information regarding the condition of the link. The following are the four line states:

- **Off-Line State (OLS)** indicates either an internal port failure or a transmitter power down/diagnostics performance / initialization.
- **Non-Operational State (NOS)** signals a link failure.
- **Link Reset (LR)** recognizes the OLS and port reset conditions.
- **Link Reset Response (LRR)** recognizes a link reset.

These line states are defined in Appendix B. The Line State Decoder generates CRXS2..3, the line state status bits which advise the host as to the state of the Sync State Machine, and CRXS4..5, the line state ID bits which signal the occurrence of certain primitive sequences. The status bits are shown in Tables 2 and 3.

**32-Bit CRC Checker Block**

The CRC Checker computes the 32-bit cyclic redundancy check on the received data. The CRC Error Status bit CRXS1 is driven high when an error is detected. In Raw mode, CRC is not checked, and CRXS1 is driven low.

**Table 2. Line State Status Output**

CRXS3	CRXS2	Line State Status
0	0	No State
0	1	Pending State
1	0	In State
1	1	Invalid Sequence

**Parity Generator Block**

Four parity bits (CTXP0..3) are generated by the Parity Generator. Each parity bit corresponds to a byte of data, as follows: CRXP0 to CRXD0..7, CRXP1 to CRXD8..15, CRXP2 to CRXD16..23, and CRXP3 to CRXD24..31.

Control bit RXPMODE (Receive Parity MODE) alters the normal meaning of CRXP3. RXPMODE low is the normal mode, where CRXP3 generates parity for CRXD24..31. With RXPMODE high, however, CRXP3 generates parity for CRXD24..31 and CRXS0. CRXS0 is a control output that indicates whether CTXD0..31 is data or an ordered set.

The parity bits follow odd parity convention, where it is high if the number of ones is even and low if the number of ones is odd.

In Raw mode, the Parity Generator does not generate parity, and the output parity bits are mapped with the input data as shown in Table 1.

**Clock Generator Block**

The Clock Generator generates word, half-word, and byte clocks required by other blocks in the Decoder. The Clock Generator uses the recovered clock, BRXCLK, generated by the TQ9502 Receiver. For example, using Fibre Channel data rates, BRXCLK (a byte clock) runs at 106.25 MHz using FC1063, 53.125 MHz using FC531, and 26.5625 MHz using FC266.

**Table 3. Line State ID Output**

CRXS5	CRXS4	Line State ID
0	0	NOS – Non-Operational State
0	1	OLS – Off-Line State
1	0	LR – Link Reset
1	1	LRR – Link Reset Response

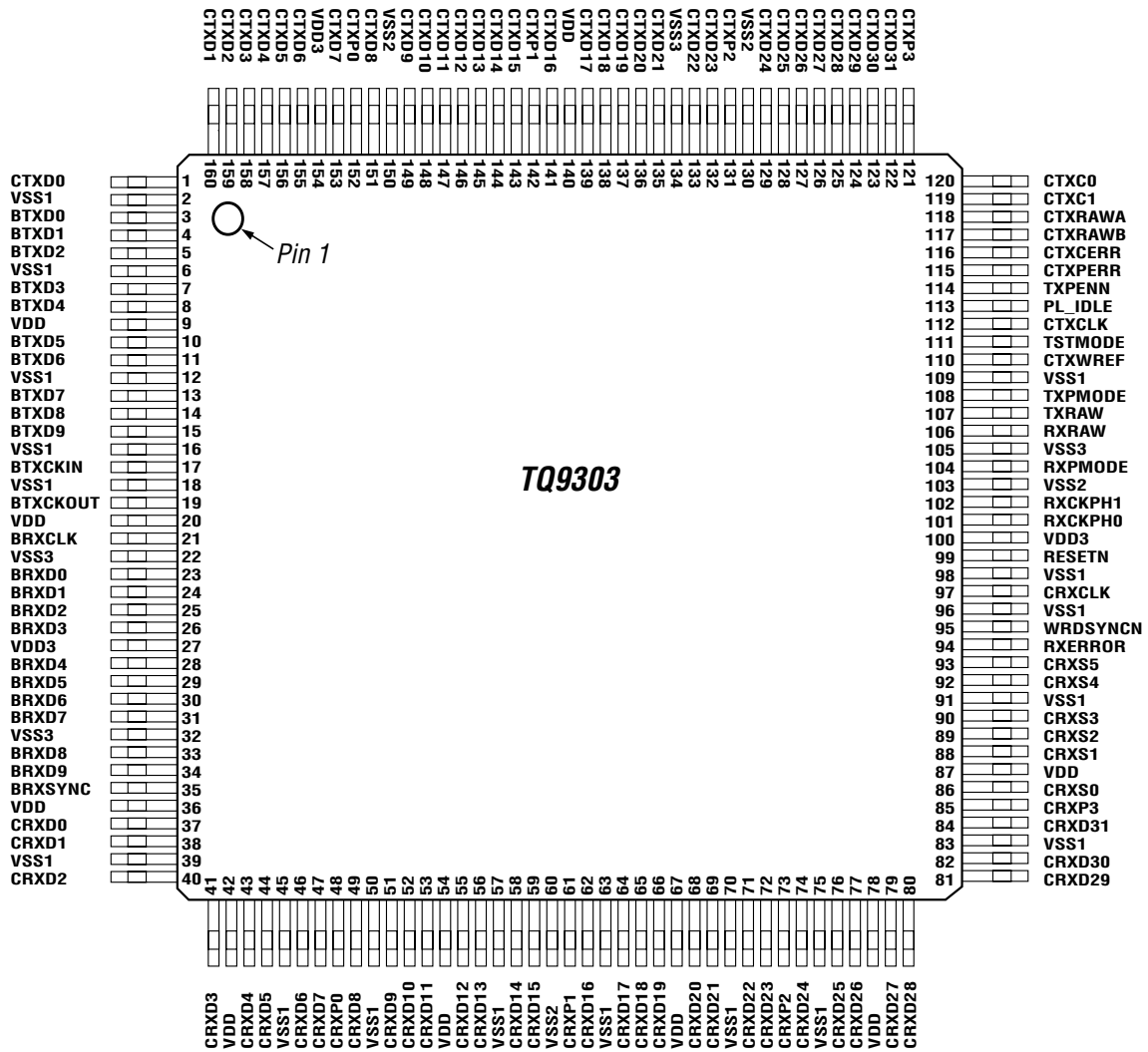
The Clock Generator generates CRXCLK, a word clock, which is used for clocking the host I/O registers. The user may place the clock edge, CRXCLK, in four places relative to the word input, thereby giving the user control of setup and hold times. Clock edge placement is selected via control pins RXCKPH0 and RXCKPH1 (Receiver Clock PHase). CRXCLK runs at 26.5625 MHz using FC1063 and 13.28125 MHz using FC531.

The Clock Generator also receives the BRXSYNC signal, which is used for byte alignment. The Receiver drives BRXSYNC high when detecting a K28.5 character.

**Raw Mode Receive**

In Raw Mode Receive where RXRAW is high for the whole frame, the input data word bypasses the parity check, ordered set generator, 32-bit CRC, and 8b/10b encoder, and is directly converted to data words. The byte-to-word mapping of data is listed in Table 1.

Figure 6. Pinout



DATACOM PRODUCTS

## TQ9303

**Table 4. Pin Names**

<i>Pin</i>	<i>Description</i>	<i>Pin</i>	<i>Description</i>	<i>Pin</i>	<i>Description</i>	<i>Pin</i>	<i>Description</i>
1	CTXD0	41	CRXD3	81	CRXD29	121	CTXP3
2	VSS	42	VDD	82	CRXD30	122	CTXD31
3	BTXD0	43	CRXD4	83	VSS	123	CTXD30
4	BTXD1	44	CRXD5	84	CRXD31	124	CTXD29
5	BTXD2	45	VSS	85	CRXP3	125	CTXD28
6	VSS	46	CRXD6	86	CRXS0	126	CTXD27
7	BTXD3	47	CRXD7	87	VDD	127	CTXD26
8	BTXD4	48	CRXP0	88	CRXS1	128	CTXD25
9	VDD	49	CRXD8	89	CRXS2	129	CTXD24
10	BTXD5	50	VSS	90	CRXS3	130	VSS
11	BTXD6	51	CRXD9	91	VSS	131	CTXP2
12	VSS	52	CRXD10	92	CRXS4	132	CTXD23
13	BTXD7	53	CRXD11	93	CRXS5	133	CTXD22
14	BTXD8	54	VDD	94	RXERROR	134	VSS
15	BTXD9	55	CRXD12	95	WRDSYCN	135	CTXD21
16	VSS	56	CRXD13	96	VSS	136	CTXD20
17	BTXCKIN	57	VSS	97	CRXCLK	137	CTXD19
18	VSS	58	CRXD14	98	VSS	138	CTXD18
19	BTXCKOUT	59	CRXD15	99	RESETN	139	CTXD17
20	VDD	60	VSS	100	VDD	140	VDD
21	BRXCLK	61	CRXP1	101	RXCKPH0	141	CTXD16
22	VSS	62	CRXD16	102	RXCKPH1	142	CTXP1
23	BRXD0	63	VSS	103	VSS	143	CTXD15
24	BRXD1	64	CRXD17	104	RXPMODE	144	CTXD14
25	BRXD2	65	CRXD18	105	VSS	145	CTXD13
26	BRXD3	66	CRXD19	106	RXRAW	146	CTXD12
27	VDD	67	VDD	107	TXRAW	147	CTXD11
28	BRXD4	68	CRXD20	108	TXPMODE	148	CTXD10
29	BRXD5	69	CRXD21	109	VSS	149	CTXD9
30	BRXD6	70	VSS	110	CTXWREF	150	VSS
31	BRXD7	71	CRXD22	111	TSTMODE	151	CTXD8
32	VSS	72	CRXD23	112	CTXCLK	152	CTXP0
33	BRXD8	73	CRXP2	113	PL_IDLE	153	CTXD7
34	BRXD9	74	CRXD24	114	TXPENN	154	VDD
35	BRXSYNC	75	VSS	115	CTXPERR	155	CTXD6
36	VDD	76	CRXD25	116	CTXCERR	156	CTXD5
37	CRXD0	77	CRXD26	117	CTXRAWB	157	CTXD4
38	CRXD1	78	VDD	118	CTXRAWA	158	CTXD3
39	VSS	79	CRXD27	119	CTXC1	159	CTXD2
40	CRXD2	80	CRXD28	120	CTXC0	160	CTXD1

**Table 5. Pin Descriptions**

<b>Symbol</b>	<b>I/O</b>	<b># of I/O</b>	<b>Interface</b>	<b>Description</b>	<b>Pin Numbers</b>
BTXCKIN	I	1	Transmitter	Takes clock from Transmitter to generate BTXCKOUT.	17
BTXCKOUT	O	1	Transmitter	Used by Transmitter to clock in BTXD0..9.	19
BTXD0..9	O	10	Transmitter	Data Output.	3–5, 7, 8, 10, 11, 13–15
CTXWREF	O	1	Host	Reference Word Clock which can be used in signaling the host to issue a CTXCLK.	110
CTXCLK	I	1	Host	Word Clock generated from CTXCLK to clock in/out host I/O registers. The following signals are latched by CTXCLK: CTXP0..3, CTXC0,1, CTXRAW, CTXPENN, CTXPMODE, CTXPERR, CTXCERR.	112
CTXC0	I	1	Host	High indicates CTXD0..31 is an Ordered Set; Low indicates data.	120
CTXC1	I	1	Host	High generates CRC; low checks CRC.	119
CTXD0..31	I	32	Host	Transmit data output (CTXD31 = MSB; CTXD0 = LSB).	1, 160–155, 153-151, 149–143, 141, 139–135, 133, 132, 129–122
CTXP0	I	1	Host	CTXD0..7 Odd Parity input.	152
CTXP1	I	1	Host	CTXD8..15 Odd Parity input.	142
CTXP2	I	1	Host	CTXD16..23 Odd Parity input.	131
CTXP3	I	1	Host	CTXD24..31 and optional CTXC0 Odd Parity input. If TXPMODE is high, CTP3 checks parity for CTXD24..31 and CTXC0. If TXPMODE is low, CTP3 checks parity for CTXD24..31 only.	121
CTXRAWA	I	1	Host	Raw data bit 19.	118
CTXRAWB	I	1	Host	Raw data bit 9.	117
CTXPERR	O	1	Host	CTXPERR high indicates CTXD0..31 Parity Error.	115
CTXCERR	O	1	Host	CTXCERR high indicates CRC Error. When in CRC Check mode, CTXC1 is low.	116
TSTMODE	I	1	Host	Normally GND. HIGH state used by vendor to monitor delay and threshold.	111
TXRAW	I	1	Host	High selects Raw Transmit Data mode.	107
TXPENN	I	1	Host	Active Low Transmit Parity Enable; Tx checks Parity when low.	114
TXPMODE	I	1	Host	If TXPMODE is high, CTP3 generates parity for CTXD24..31 and CTXC0. If TXPMODE is low, CTP3 generates parity for CTXD24..31 only.	108
PL_IDLE	I	1	Host	Proprietary link idle control	113
BRXCLK	I	1	Receiver	Driven by RXCLK. Clocks data from BRXD0..9.	21
BRXD0..9	I	10	Receiver	Receives RXD0..9 from Receiver.	23–26, 28–31, 33, 34
BRXSYNC	I	1	Receiver	SYNC.	35
CRXCLK	O	1	Host	CRXCLK latches CRXD0..31.	97

(Continued on next page)

**Table 5. Pin Descriptions (continued)**

<b>Symbol</b>	<b>I/O</b>	<b># of I/O</b>	<b>Interface</b>	<b>Description</b>	<b>Pin Numbers</b>
CRXD0..31	0	32	Host	Receive data output (CRXD31 = MSB; CRXD0 = LSB).	37,38,40,41,43,44, 46,47,49,51–53,55, 56,58,59,62,64–66, 68,69,71,72,74, 76,77,79–82,84
CRXS0	0	1	Host	High indicates CRXD0..31 is an Ordered Set; Low indicates data.	86
CRXS1	0	1	Host	CRC error flag; high indicates a CRC error.	88
CRXS2,3	0	2	Host	Line state status bits. State equivalent for CRXS3 and CRXS2 from left to right, respectively: 00 - No State 01 - Pending 10 - State Rec. 11 - Bad Seq.	89,90
CRXS4,5	0	2	Host	Line state ID bits.	92,93
CRXP0	0	1	Host	CRXD0..7 Odd Parity output.	48
CRXP1	0	1	Host	CRXD8..15 Odd Parity output.	61
CRXP2	0	1	Host	CRXD16..23 Odd Parity output.	73
CRXP3	0	1	Host	CRXD24..31 and optional CRXS01 Odd Parity output. If RXPMODE is high, CRXP3 generates Parity for CRXD24..31 and CRXS0. If RXPMODE is low, CRXP3 generates Parity for CRXD24..31 only.	85
RXERROR	0	1	Host	Receive Error; high indicates invalid data from the Receiver.	94
RXRAW	I	1	Host	High selects Raw Receive Data mode.	106
WRDSYNCRN	0	1	Host	Word Synchronization Status Flag; Low indicates Synchronization acquired. Can be connected to SYNCEN on TQ9502/GA9102 Receiver.	95
RXPMODE	I	1	Host	Receiver Parity mode. If RXPMODE is high, CRXP3 generates Parity for CRXD24..31 and CRXS0. If RXPMODE is low, CRXP3 generates Parity for CRXD24..31 only.	104
RXCKPH0,1	I	2	Host	CRXCLK Phase Select pin.	101,102
RESETN	I	1	Host	Active low.	99
VDD	—	—	—	+5 Volt supply.	9,20,27,36,42,54,67, 78,87,100,140,154
GND (V <sub>SS</sub> )	—	—	—	Ground.	2,6,12,16,18,22,32,39, 45,50,57,60,63,70,75, 83,91,96,98,103,105, 109,130,134,150

**Table 6. Absolute Maximum Ratings**

Parameter	Min.	Max.	Unit
Storage temperature	-65	+150	°C
Ambient temperature	-55	+125	°C
Supply voltage to ground	-0.5	+7.0	V
DC input voltage	-0.5	$V_{DD} + 0.5$	V
DC input current	-30	+5	mA
Thermal resistance ( $\theta_{JC}$ )		5.6	°C / W

Note: Exceeding the absolute maximum ratings may damage the device.

**Table 7. Operating Conditions**

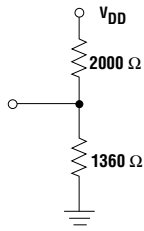
Parameter	Range	Unit
Supply voltage	$+5 \pm 5\%$	V
Ambient temperature	0–70	°C
Power @ 125 MHz	$\leq 4.1$	W
Power @ DC	0.3	W

Note: Proper functionality is guaranteed under these conditions.

**Table 8. DC Characteristics**

Symbol	Description	Conditions	Min.	Typ.	Max.	Unit
$V_{OH}$	Output high voltage	$V_{DD} = \text{Min}$ , $I_{OH} = -4 \text{ mA}$ , $V_{IN} = V_{IH}$ or $V_{IL}$	3.6			V
$V_{OL}$	Output low voltage	$V_{DD} = \text{Min}$ , $I_{OL} = 4 \text{ mA}$ , $V_{IN} = V_{IH}$ or $V_{IL}$			0.37	V
$V_{IH}$	Input high level	Guaranteed input logical high voltage for all inputs	2.0			V
$V_{IL}$	Input low level	Guaranteed input logical low voltage for all inputs			0.8	V
$I_{IL}$	Input Leakage current	$V_{DD} = \text{Max}$ , $V_{IN} = 0.40\text{V}$		-150	-400	$\mu\text{A}$

- Notes:
- Unless otherwise specified, these values apply over the recommended operating range.
  - Typical limits are:  $V_{DD} = 5.0 \text{ V}$  and  $T_A = 25^\circ\text{C}$ .
  - Input levels ( $V_{IH}$  and  $V_{IL}$ ) are absolute values with respect to device ground, and all overshoots due to system or tester noise are included.
  - $V_{IN}$ , the TTL input, can be high or low.

**TTL Test Load, TLL Outputs**

## TQ9303

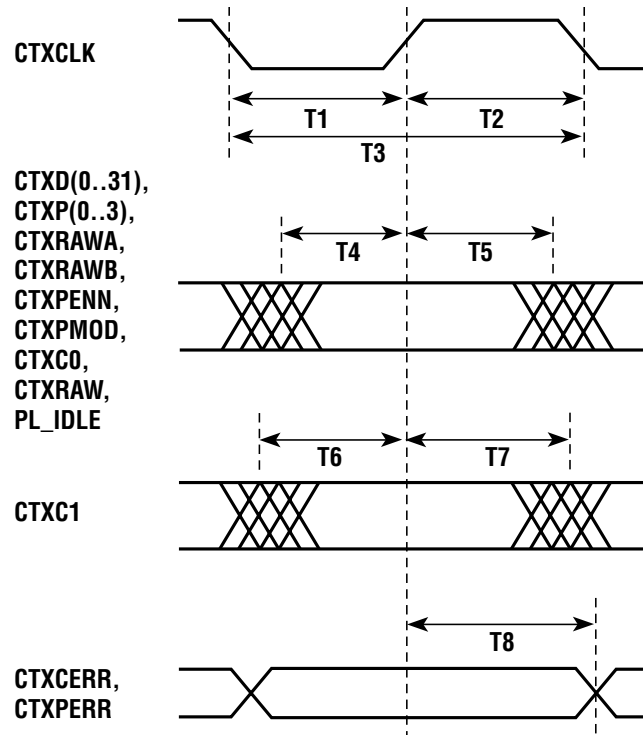
**Table 9. AC Characteristics—Transmit (CTX) Timing**

Parameter	Description	Abs.Min.	Rel.Min.	Abs.Max.	Rel.Max.	Unit
T1	CTXCLK Pulse Width High	12	$t + 4$		$3t - 4$	ns
T2	CTXCLK Pulse Width Low	12	$t + 4$		$3t - 4$	ns
T3	CTXCLK Period	32	$4t$		$4t$	ns
T4	CTXD(0..31), CTXP(0..3), CTXRAWA, CTXRAWB, CTXPENN, CTXPMOD, CTXC0, and CTXRAW-to-CTXCLK $\uparrow$ setup time	1.9				ns
T5	CTXCLK $\uparrow$ -to-CTXD(0..31), CTXP(0..3), CTXRAWA, CTXRAWB, CTXPENN, CTXPMOD, CTXC0, and CTXRAW hold time	0.9				ns
T6	CTXC0 and CTXC1-to-CTXCLK $\uparrow$ setup time	0.8				ns
T7	CTXCLK $\uparrow$ -to-CTXC0 and CTXC1 hold time	2				ns
T8	CTXCLK $\uparrow$ -to-CTXCERR and CTXPERR Output	2.5		15.5		ns

**Notes:**

- “t” represents one (1) BTXCKIN period.
- Minimum setup and hold times are based on a 30-pf load on all outputs and a 50% duty cycle on CTXCLK.

**Figure 7. Transmit (CTX) Timing**



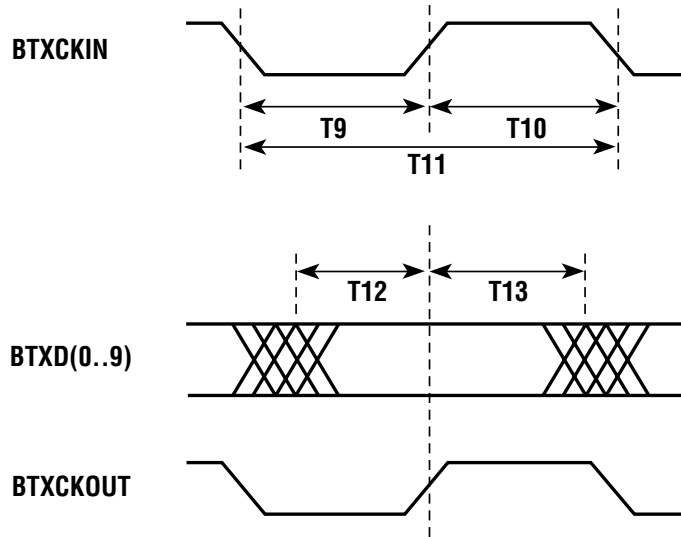


**Table 10. AC Characteristics—Transmit (BTX) Timing <sup>(1)</sup>**

Parameter	Description	Abs.Min.	Rel.Min.	Abs.Max.	Rel.Max.	Unit
T9	BTXCKN Pulse Width High	3.2	0.4t		0.6t	ns
T10	BTXCKIN Pulse Width Low	3.2	0.4t		0.6t	ns
T11	BTXCKIN Period	8	t		t	ns
T12	BTXD(0..9)-to-BTXCKOUT $\uparrow$ setup time	(2)	(2)	(2)	(2)	
T13	BTXCKOUT $\uparrow$ -to-BTXD(0..9) hold time	(2)	(2)	(2)	(2)	

Notes: 1. "t" represents one (1) BTXCKIN period.  
 2. See Table 11, "Transmit (BTX) Timing Formulas," below.

**Figure 8. Transmit (BTX) Timing**



**DATACOM  
 PRODUCTS**

**Table 11. Transmit (BTX) Timing Formulas**

Parameter	Formula	t = 8 ns (125 MHz)	t = 9.41 ns (106.25 MHz)	t = 16 ns (62.5 MHz)	t = 18.821 ns (53.125 MHz)
T12	d * t - 1.94 ns	2.06 ns (1.8 ns min.)	2.76 ns (2.5 ns min.)	6.06 ns	7.47 ns
T13	(1 - d) * t - 1.42 ns	2.58 ns (3.4 ns min.)	3.28 ns (2.1 ns min.)	6.58 ns	7.99 ns

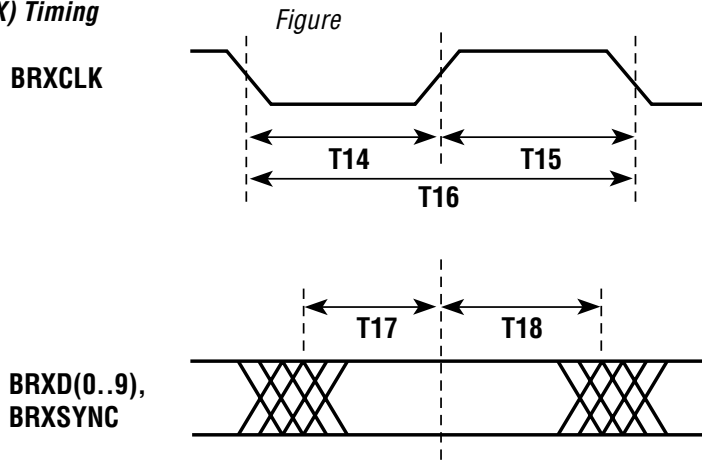
Note: "d" represents one (1) BTXCKIN duty cycle, T9 / T11 or T9 / (T9 + T10). The calculations given above are made with d = 0.5 (50%). When BTXCKIN has other than a 50% duty cycle (d <> 0.5), T<sub>SETUP</sub> and T<sub>HOLD</sub> are affected by the shift in clock edges. The rising edge of BTXCKOUT is triggered by the falling edge of BTXCKIN; thus, if the BTXCKIN high time is 2 ns less than the BTXCKIN low time, then 1 ns must be subtracted from the setup times given above, and 1 ns must be added to the hold times given above.

**Table 12. AC Characteristics—Receive (BRX) Timing**

Parameter	Description	Abs.Min.	Rel.Min.	Abs.Max.	Rel.Max.	Unit
T14	BRXCLK Pulse Width High	3.2	0.4t		0.6t	ns
T15	BRXCLK Pulse Width Low	3.2	0.4t		0.6t	ns
T16	BRXCLK Period	8	t		t	ns
T17	BRXD(0..9) and BRXSYNC-to-BTXCKOUT $\uparrow$ setup time	1.25				ns
T18	BRXCLK $\uparrow$ -to-BRXD(0..9) and BRXSYNC hold time	0.25				ns

Note: "t" represents one (1) BRXCLK period.

**Figure 9. Receive (BRX) Timing**

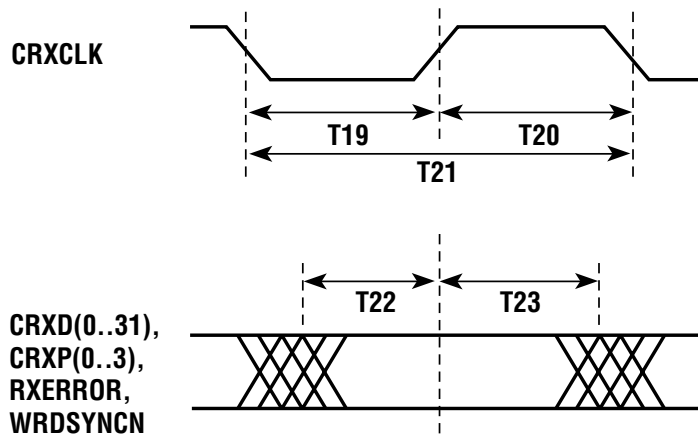


**Table 13. AC Characteristics—Receive (CRX) Timing <sup>(1)</sup>**

Parameter	Description	Abs.Min.	Rel.Min.	Abs.Max.	Rel.Max.	Unit
T19	CRXCLK Pulse Width High	13	2t - 3	19	2t + 3	ns
T20	CRXCLK Pulse Width Low	13	2t - 3	19	2t + 3	ns
T21	CRXCLK Period	32	4t		4t	ns
T22	CRXD*, CRXP*, and CRXS*—to—CRXCLK↑ setup time	(2)	(2)	(2)	(2)	
T23	CRXCLK↑—to—CRXD*, CRXP*, and CRXS* hold time	(2)	(2)	(2)	(2)	

Notes: 1. "t" represents one (1) BRXCLK period.  
 2. See Table 14, "Receive (CRX) Timing Formulas," below.

**Figure 10. Receive (CRX) Timing**



**DATACOM  
 PRODUCTS**

**Table 14. Receive (CRX) Timing Formulas**

Parameter	RXCKPH(1:0)	Formula	t = 8 ns (125 MHz)	t = 9.41 ns (106.25 MHz)	t = 16 ns (62.5 MHz)	t = 18.821 ns (53.125 MHz)
	0:0	0.054t - 0.94 ns	-0.47 ns	-0.39 ns	0.00 ns	0.16 ns
	0:1	1.054t - 0.94 ns	7.53 ns	9.02 ns	16.00 ns	18.99 ns
	1:0	2.054t - 0.94 ns	15.53 ns	18.43 ns	32.00 ns	37.81 ns
	1:1	3.054t - 0.94 ns	23.53 ns	27.84 ns	48.00 ns	56.63 ns
	0:0	3.5t - 0.07 ns	28.07 ns	33.01 ns	56.07 ns	65.95 ns
	0:1	2.5t - 0.07 ns	20.07 ns	23.59 ns	40.07 ns	47.12 ns
	1:0	1.5t - 0.07 ns	12.07 ns	14.18 ns	24.07 ns	28.30 ns
	1:1	0.5t - 0.07 ns	4.07 ns	4.77 ns	8.07 ns	9.48 ns

# TQ9303

**Table A-1. Valid Data Characters**

Data Byte Name	Bits		Current abcdei	RD – fghj <sup>2</sup>	Current abcdei	RD + fghj <sup>2</sup>	Data Byte Name	Bits		Current abcdei	RD – fghj <sup>2</sup>	Current abcdei	RD + fghj <sup>2</sup>
	HGF	EDCBA <sup>1</sup>						HGF	EDCBA <sup>1</sup>				
D0.0	000	00000	100111	0100	011000	1011	D7.2	010	00111	111000	0101	000111	0101
D1.0	000	00001	011101	0100	100010	1011	D8.2	010	01000	111001	0101	000110	0101
D2.0	000	00010	101101	0100	010010	1011	D9.2	010	01001	100101	0101	100101	0101
D3.0	000	00011	110001	1011	110001	0100	D10.2	010	01010	010101	0101	010101	0101
D4.0	000	00100	110101	0100	001010	1011	D11.2	010	01011	110100	0101	110100	0101
D5.0	000	00101	101001	1011	101001	0100	D12.2	010	01100	001101	0101	001101	0101
D6.0	000	00110	011001	1011	011001	0100	D13.2	010	01101	101100	0101	101100	0101
D7.0	000	00111	111000	1011	000111	0100	D14.2	010	01110	011100	0101	011100	0101
D8.0	000	01000	111001	0100	000110	1011	D15.2	010	01111	010111	0101	101000	0101
D9.0	000	01001	100101	1011	100101	0100	D16.2	010	10000	011011	0101	100100	0101
D10.0	000	01010	010101	1011	010101	0100	D17.2	010	10001	100011	0101	100011	0101
D11.0	000	01011	110100	1011	110100	0100	D18.2	010	10010	010011	0101	010011	0101
D12.0	000	01100	001101	1011	001101	0100	D19.2	010	10011	110010	0101	110010	0101
D13.0	000	01101	101100	1011	101100	0100	D20.2	010	10100	001011	0101	001011	0101
D14.0	000	01110	011100	1011	011100	0100	D21.2	010	10101	101010	0101	101010	0101
D15.0	000	01111	010111	0100	101000	1011	D22.2	010	10110	011010	0101	011010	0101
D16.0	000	10000	011011	0100	100100	1011	D23.2	010	10111	111010	0101	000101	0101
D17.0	000	10001	100011	1011	100011	0100	D24.2	010	11000	110011	0101	001100	0101
D18.0	000	10010	010011	1011	010011	0100	D25.2	010	11001	100110	0101	100110	0101
D19.0	000	10011	110010	1011	110010	0100	D26.2	010	11010	010110	0101	010110	0101
D20.0	000	10100	001011	1011	001011	0100	D27.2	010	11011	110110	0101	001001	0101
D21.0	000	10101	101010	1011	101010	0100	D28.2	010	11100	001110	0101	001110	0101
D22.0	000	10110	011010	1011	011010	0100	D29.2	010	11101	101110	0101	010001	0101
D23.0	000	10111	111010	0100	000101	1011	D30.2	010	11110	011110	0101	100001	0101
D24.0	000	11000	110011	0100	001100	1011	D31.2	010	11111	101011	0101	010100	0101
D25.0	000	11001	100110	1011	100110	0100	D0.3	011	00000	100111	0011	011000	1100
D26.0	000	11010	010110	1011	010110	0100	D1.3	011	00001	011101	0011	100010	1100
D27.0	000	11011	110110	0100	001001	1011	D2.3	011	00010	101101	0011	010010	1100
D28.0	000	11100	001110	1011	001110	0100	D3.3	011	00011	110001	1100	110001	0011
D29.0	000	11101	101110	0100	010001	1011	D4.3	011	00100	110101	0011	001010	1100
D30.0	000	11110	011110	0100	100001	1011	D5.3	011	00101	101001	1100	101001	0011
D31.0	000	11111	101011	0100	010100	1011	D6.3	011	00110	011001	1100	011001	0011
D0.1	001	00000	100111	1001	011000	1001	D7.3	011	00111	111000	1100	000111	0011
D1.1	001	00001	011101	1001	100010	1001	D8.3	011	01000	111001	0011	000110	1100
D2.1	001	00010	101101	1001	010010	1001	D9.3	011	01001	100101	1100	100101	0011
D3.1	001	00011	110001	1001	110001	1001	D10.3	011	01010	010101	1100	010101	0011
D4.1	001	00100	110101	1001	001010	1001	D11.3	011	01011	110100	1100	110100	0011
D5.1	001	00101	101001	1001	101001	1001	D12.3	011	01100	001101	1100	001101	0011
D6.1	001	00110	011001	1001	011001	1001	D13.3	011	01101	101100	1100	101100	0011
D7.1	001	00111	111000	1001	000111	1001	D14.3	011	01110	011100	1100	011100	0011
D8.1	001	01000	111001	1001	000110	1001	D15.3	011	01111	010111	0011	101000	1100
D9.1	001	01001	100101	1001	100101	1001	D16.3	011	10000	011011	0011	100100	1100
D10.1	001	01010	010101	1001	010101	1001	D17.3	011	10001	100011	1100	100011	0011
D11.1	001	01011	110100	1001	110100	1001	D18.3	011	10010	010011	1100	010011	0011
D12.1	001	01100	001101	1001	001101	1001	D19.3	011	10011	110010	1100	110010	0011
D13.1	001	01101	101100	1001	101100	1001	D20.3	011	10100	001011	1100	001011	0011
D14.1	001	01110	011100	1001	011100	1001	D21.3	011	10101	101010	1100	101010	0011
D15.1	001	01111	010111	1001	101000	1001	D22.3	011	10110	011010	1100	011010	0011
D16.1	001	10000	011011	1001	100100	1001	D23.3	011	10111	111010	0011	000101	1100
D17.1	001	10001	100011	1001	100011	1001	D24.3	011	11000	110011	0011	001100	1100
D18.1	001	10010	010011	1001	010011	1001	D25.3	011	11001	100110	1100	100110	0011
D19.1	001	10011	110010	1001	110010	1001	D26.3	011	11010	010110	1100	010110	0011
D20.1	001	10100	001011	1001	001011	1001	D27.3	011	11011	110110	0011	001001	1100
D21.1	001	10101	101010	1001	101010	1001	D28.3	011	11100	001110	1100	001110	0011
D22.1	001	10110	011010	1001	011010	1001	D29.3	011	11101	101110	0011	010001	1100
D23.1	001	10111	111010	1001	000101	1001	D30.3	011	11110	011110	0011	100001	1100
D24.1	001	11000	110011	1001	001100	1001	D31.3	011	11111	101011	0011	010100	1100
D25.1	001	11001	100110	1001	100110	1001	D0.4	100	00000	100111	0010	011000	1101
D26.1	001	11010	010110	1001	010110	1001	D1.4	100	00001	011101	0010	100010	1101
D27.1	001	11011	110110	1001	001001	1001	D2.4	100	00010	101101	0010	010010	1101
D28.1	001	11100	001110	1001	001110	1001	D3.4	100	00011	110001	1101	110001	0010
D29.1	001	11101	101110	1001	010001	1001	D4.4	100	00100	110101	0010	001010	1101
D30.1	001	11110	011110	1001	100001	1001	D5.4	100	00101	101001	1101	101001	0010
D31.1	001	11111	101011	1001	010100	1001	D6.4	100	00110	011001	1101	011001	0010
D0.2	010	00000	100111	0101	011000	0101	D7.4	100	00111	111000	1101	000111	0010
D1.2	010	00001	011101	0101	100010	0101	D8.4	100	01000	111001	0010	000110	1101
D2.2	010	00010	101101	0101	010010	0101	D9.4	100	01001	100101	1101	100101	0010
D3.2	010	00011	110001	0101	110001	0101	D10.4	100	01010	010101	1101	010101	0010
D4.2	010	00100	110101	0101	001010	0101	D11.4	100	01011	110100	1101	110100	0010
D5.2	010	00101	101001	0101	101001	0101	D12.4	100	01100	001101	1101	001101	0010
D6.2	010	00110	011001	0101	011001	0101	D13.4	100	01101	101100	1101	101100	0010

Notes: 1. "HGF, EDCBA" corresponds to data inputs CTXD7–CTXD0, in that order.  
 2. "abcdei, fghj" corresponds to BTXD9–BTXD0, in that order; "a" is to be transmitted first, followed by "b," "c," . . . "j."

Table A-1. Valid Data Characters (continued)

Data Byte Name	HGF	Bits		Current abcdei	RD - fghj <sup>2</sup>	Current abcdei	RD + fghj <sup>2</sup>	Data Byte Name	HGF	Bits		Current abcdei	RD - fghj <sup>2</sup>	Current abcdei	RD + fghj <sup>2</sup>
		EDCBA <sup>1</sup>								EDCBA <sup>1</sup>					
D14.4	100	01110		011100	1101	011100	0010	D18.6	110	10010		010011	0110	010011	0110
D15.4	100	01111		010111	0010	101000	1101	D19.6	110	10011		110010	0110	110010	0110
D16.4	100	10000		011011	0010	100100	1101	D20.6	110	10100		001011	0110	001011	0110
D17.4	100	10001		100011	1101	100011	0010	D21.6	110	10101		101010	0110	101010	0110
D18.4	100	10010		010011	1101	010011	0010	D22.6	110	10110		011010	0110	011010	0110
D19.4	100	10011		110010	1101	110010	0010	D23.6	110	10111		111010	0110	000101	0110
D20.4	100	10100		001011	1101	001011	0010	D24.6	110	11000		110011	0110	001100	0110
D21.4	100	10101		101010	1101	101010	0010	D25.6	110	11001		100110	0110	100110	0110
D22.4	100	10110		011010	1101	011010	0010	D26.6	110	11010		010110	0110	010110	0110
D23.4	100	10111		111010	0010	000101	1101	D27.6	110	11011		110110	0110	001001	0110
D24.4	100	11000		110011	0010	001100	1101	D28.6	110	11100		001110	0110	001110	0110
D25.4	100	11001		100110	1101	100110	0010	D29.6	110	11101		101110	0110	010001	0110
D26.4	100	11010		010110	1101	010110	0010	D30.6	110	11110		011110	0110	100001	0110
D27.4	100	11011		110110	0010	001001	1101	D31.6	110	11111		101011	0110	010100	0110
D28.4	100	11100		001110	1101	001110	0010	D0.7	111	00000		100111	0001	011000	1110
D29.4	100	11101		101110	0010	010001	1101	D1.7	111	00001		011101	0001	100010	1110
D30.4	100	11110		011110	0010	100001	1101	D2.7	111	00010		101101	0001	010010	1110
D31.4	100	11111		101011	0010	010100	1101	D3.7	111	00011		110001	1110	110001	0001
D0.5	101	00000		100011	1010	011000	1010	D4.7	111	00100		110101	0001	001010	1110
D1.5	101	00001		011101	1010	100010	1010	D5.7	111	00101		101001	1110	101001	0001
D2.5	101	00010		101101	1010	010010	1010	D6.7	111	00110		011001	1110	011001	0001
D3.5	101	00011		110001	1010	110001	1010	D7.7	111	00111		111000	1110	000111	0001
D4.5	101	00100		110101	1010	001010	1010	D8.7	111	01000		111001	0001	000110	1110
D5.5	101	00101		101001	1010	101001	1010	D9.7	111	01001		100101	1110	101001	0001
D6.5	101	00110		011001	1010	011001	1010	D10.7	111	01010		010101	1110	010101	0001
D7.5	101	00111		111000	1010	000111	1010	D11.7	111	01011		110100	1110	110100	1000
D8.5	101	01000		111001	1010	000110	1010	D12.7	111	01100		001101	1110	001101	0001
D9.5	101	01001		100101	1010	100101	1010	D13.7	111	01101		101100	1110	101100	1000
D10.5	101	01010		010101	1010	010101	1010	D14.7	111	01110		011100	1110	011100	1000
D11.5	101	01011		110100	1010	110100	1010	D15.7	111	01111		010111	0001	101000	1110
D12.5	101	01100		001101	1010	001101	1010	D16.7	111	10000		011011	0001	001000	1110
D13.5	101	01101		101100	1010	101100	1010	D17.7	111	10001		100011	0111	100011	0001
D14.5	101	01110		011100	1010	011100	1010	D18.7	111	10010		010011	0111	010011	0001
D15.5	101	01111		010111	1010	101000	1010	D19.7	111	10011		110010	1110	110010	0001
D16.5	101	10000		011011	1010	100100	1010	D20.7	111	10100		001011	0111	001011	0001
D17.5	101	10001		100011	1010	100011	1010	D21.7	111	10101		101010	1110	101010	0001
D18.5	101	10010		010011	1010	010011	1010	D22.7	111	10110		011010	1110	011010	0001
D19.5	101	10011		110010	1010	110010	1010	D23.7	111	10111		111010	0001	000101	1110
D20.5	101	10100		001011	1010	001011	1010	D24.7	111	11000		110011	0001	001100	1110
D21.5	101	10101		101010	1010	101010	1010	D25.7	111	11001		100110	1110	100110	0001
D22.5	101	10110		011010	1010	011010	1010	D26.7	111	11010		010110	1110	010110	0001
D23.5	101	10111		111010	1010	000101	1010	D27.7	111	11011		110110	0001	001001	1110
D24.5	101	11000		110011	1010	001100	1010	D28.7	111	11100		001110	1110	001110	0001
D25.5	101	11001		100110	1010	100110	1010	D29.7	111	11101		101110	0001	010001	1110
D26.5	101	11010		010110	1010	010110	1010	D30.7	111	11110		011110	0001	100001	1110
D27.5	101	11011		110110	1010	001001	1010	D31.7	111	11111		101011	0001	010100	1110
D28.5	101	11100		001110	1010	001110	1010								
D29.5	101	11101		101110	1010	010001	1010								
D30.5	101	11110		011110	1010	100001	1010								
D31.5	101	11111		101011	1010	010100	1010								
D0.6	110	00000		100111	0110	011000	0110								
D1.6	110	00001		011101	0110	100010	0110								
D2.6	110	00010		101101	0110	010010	0110								
D3.6	110	00011		110001	0110	110001	0110								
D4.6	110	00100		110101	0110	001010	0110								
D5.6	110	00101		101001	0110	101001	0110								
D6.6	110	00110		011001	0110	011001	0110								
D7.6	110	00111		111000	0110	000111	0110								
D8.6	110	01000		111001	0110	000110	0110								
D9.6	110	01001		100101	0110	100101	0110								
D10.6	110	01010		010101	0110	010101	0110								
D11.6	110	01011		110100	0110	110100	0110								
D12.6	110	01100		001101	0110	001101	0110								
D13.6	110	01101		101100	0110	101100	0110								
D14.6	110	01110		011100	0110	011100	0110								
D15.6	110	01111		010111	0110	101000	0110								
D16.6	110	10000		011011	0110	100100	0110								
D17.6	110	10001		100011	0110	100011	0110								

Special Code Name	Current abcdei	RD - fghj <sup>(2)</sup>	Current abcdei	RD + fghj <sup>(2)</sup>
K28.0	001111	0100	110000	1011
K28.1	001111	1001	110000	0110
K28.2	001111	0101	110000	1010
K28.3	001111	0011	110000	1100
K28.4	001111	0010	110000	1101
K28.5	001111	1010	110000	0101
K28.6	001111	0110	110000	1001
K28.7	001111	1000	110000	0111
K23.7	111010	1000	000101	0111
K27.7	110110	1000	001001	0111
K29.7	101110	1000	010001	0111
K30.7	011110	1000	100001	0111

Notes: 1. "HGF, EDCBA" corresponds to data inputs CTXD7-CTXD0, in that order.  
 2. "abcdei, fghj" corresponds to BTXD9-BTXD0, in that order. "a" is to be transmitted first, followed by "b," "c," . . . "j."

# TQ9303

**Table B-1. TQ9303 Encoding**

Ordered Set	32-Bit Word Encoder Input								Beg. RD	Ordered Set Output
	31 Cntl	30 Sig	29 SOF	28 EOF	27:24 Type	23:16	15:8	7:0		
SOFn1 <sup>3</sup>	0	0	1	0	0001	<u>1</u>	<u>1</u>	<u>1</u>	Neg	(K28.5–D21.5–D23.1–D23.1)
SOFn2	0	0	1	0	0010	<u>1</u>	<u>1</u>	<u>1</u>	Neg	(K28.5–D21.5–D21.1–D21.1)
SOFn3	0	0	1	0	0011	<u>1</u>	<u>1</u>	<u>1</u>	Neg	(K28.5–D21.5–D22.1–D22.1)
SOFi1	0	0	1	0	0101	<u>1</u>	<u>1</u>	<u>1</u>	Neg	(K28.5–D21.5–D23.2–D23.2)
SOFi2	0	0	1	0	0110	<u>1</u>	<u>1</u>	<u>1</u>	Neg	(K28.5–D21.5–D21.2–D21.2)
SOFi3	0	0	1	0	0111	<u>1</u>	<u>1</u>	<u>1</u>	Neg	(K28.5–D21.5–D22.2–D22.2)
SOFc1	0	0	1	0	1101	<u>1</u>	<u>1</u>	<u>1</u>	Neg	(K28.5–D21.5–D23.0–D23.0)
SOFf	0	0	1	0	1000	<u>1</u>	<u>1</u>	<u>1</u>	Neg	(K28.5–D21.5–D24.2–D24.2)
EOFn <sup>4,5</sup>	0	0	0	1	0000	<u>1</u>	<u>1</u>	<u>1</u>	Neg	(K28.5–D21.4–D21.6–D21.6)
									Pos	(K28.5–D21.5–D21.6–D21.6)
EOFt <sup>5</sup>	0	0	0	1	0100	<u>1</u>	<u>1</u>	<u>1</u>	Neg	(K28.5–D21.4–D21.3–D21.3)
									Pos	(K28.5–D21.5–D21.3–D21.3)
EOFdt <sup>6</sup>	0	0	0	1	1100	<u>1</u>	<u>1</u>	<u>1</u>	Neg	(K28.5–D21.4–D21.4–D21.4)
									Pos	(K28.5–D21.5–D21.4–D21.4)
EOFa	0	0	0	1	1001	<u>1</u>	<u>1</u>	<u>1</u>	Neg	(K28.5–D21.4–D21.7–D21.7)
									Pos	(K28.5–D21.5–D21.7–D21.7)
EOFni	0	0	0	1	0001	<u>1</u>	<u>1</u>	<u>1</u>	Neg	(K28.5–D10.4–D21.6–D21.6)
									Pos	(K28.5–D10.5–D21.6–D21.6)
EOFdti	0	0	0	1	1101	<u>1</u>	<u>1</u>	<u>1</u>	Neg	(K28.5–D10.4–D21.4–D21.4)
									Pos	(K28.5–D10.5–D21.4–D21.4)
Idle <sup>7</sup>	0	1	0	0	0000	<u>1</u>	<u>1</u>	<u>1</u>	Neg	(K28.5–D21.4–D21.5–D21.5)
R-Rdy <sup>7</sup>	0	1	0	0	0110	<u>1</u>	<u>1</u>	<u>1</u>	Neg	(K28.5–D21.4–D10.2–D10.2)
NOS <sup>7</sup>	0	1	0	0	1000	<u>1</u>	<u>1</u>	<u>1</u>	Neg	(K28.5–D21.2–D31.5–D5.2)
OLS <sup>7</sup>	0	1	0	0	1001	<u>1</u>	<u>1</u>	<u>1</u>	Neg	(K28.5–D21.1–D10.4–D21.2)
LR <sup>7</sup>	0	1	0	0	1010	<u>1</u>	<u>1</u>	<u>1</u>	Neg	(K28.5–D9.2–D31.5–D9.2)
LRR <sup>7</sup>	0	1	0	0	1011	<u>1</u>	<u>1</u>	<u>1</u>	Neg	(K28.5–D21.1–D31.5–D9.2)
Undefined	1	0	0	0	0000	(XY <sub>B</sub> ) <sup>2</sup>	(XY <sub>C</sub> ) <sup>2</sup>	(XY <sub>D</sub> ) <sup>2</sup>		(K28.0–DX.Y <sub>B</sub> –DX.Y <sub>C</sub> –DX.Y <sub>D</sub> )
Undefined	1	0	0	0	0001	(XY <sub>B</sub> ) <sup>2</sup>	(XY <sub>C</sub> ) <sup>2</sup>	(XY <sub>D</sub> ) <sup>2</sup>		(K28.1–DX.Y <sub>B</sub> –DX.Y <sub>C</sub> –DX.Y <sub>D</sub> )
Undefined	1	0	0	0	0010	(XY <sub>B</sub> ) <sup>2</sup>	(XY <sub>C</sub> ) <sup>2</sup>	(XY <sub>D</sub> ) <sup>2</sup>		(K28.2–DX.Y <sub>B</sub> –DX.Y <sub>C</sub> –DX.Y <sub>D</sub> )
Undefined	1	0	0	0	0011	(XY <sub>B</sub> ) <sup>2</sup>	(XY <sub>C</sub> ) <sup>2</sup>	(XY <sub>D</sub> ) <sup>2</sup>		(K28.3–DX.Y <sub>B</sub> –DX.Y <sub>C</sub> –DX.Y <sub>D</sub> )
Undefined	1	0	0	0	0100	(XY <sub>B</sub> ) <sup>2</sup>	(XY <sub>C</sub> ) <sup>2</sup>	(XY <sub>D</sub> ) <sup>2</sup>		(K28.4–DX.Y <sub>B</sub> –DX.Y <sub>C</sub> –DX.Y <sub>D</sub> )
Undefined	1	0	0	0	0101	(XY <sub>B</sub> ) <sup>2</sup>	(XY <sub>C</sub> ) <sup>2</sup>	(XY <sub>D</sub> ) <sup>2</sup>		(K28.5–DX.Y <sub>B</sub> –DX.Y <sub>C</sub> –DX.Y <sub>D</sub> )
Undefined	1	0	0	0	0110	(XY <sub>B</sub> ) <sup>2</sup>	(XY <sub>C</sub> ) <sup>2</sup>	(XY <sub>D</sub> ) <sup>2</sup>		(K28.6–DX.Y <sub>B</sub> –DX.Y <sub>C</sub> –DX.Y <sub>D</sub> )
Undefined	1	0	0	0	0111	(XY <sub>B</sub> ) <sup>2</sup>	(XY <sub>C</sub> ) <sup>2</sup>	(XY <sub>D</sub> ) <sup>2</sup>		(K28.7–DX.Y <sub>B</sub> –DX.Y <sub>C</sub> –DX.Y <sub>D</sub> )
Undefined	1	0	0	0	1000	(XY <sub>B</sub> ) <sup>2</sup>	(XY <sub>C</sub> ) <sup>2</sup>	(XY <sub>D</sub> ) <sup>2</sup>		(K23.7–DX.Y <sub>B</sub> –DX.Y <sub>C</sub> –DX.Y <sub>D</sub> )
Undefined	1	0	0	0	1001	(XY <sub>B</sub> ) <sup>2</sup>	(XY <sub>C</sub> ) <sup>2</sup>	(XY <sub>D</sub> ) <sup>2</sup>		(K27.7–DX.Y <sub>B</sub> –DX.Y <sub>C</sub> –DX.Y <sub>D</sub> )
Undefined	1	0	0	0	1010	(XY <sub>B</sub> ) <sup>2</sup>	(XY <sub>C</sub> ) <sup>2</sup>	(XY <sub>D</sub> ) <sup>2</sup>		(K29.7–DX.Y <sub>B</sub> –DX.Y <sub>C</sub> –DX.Y <sub>D</sub> )
Undefined	1	0	0	0	1011	(XY <sub>B</sub> ) <sup>2</sup>	(XY <sub>C</sub> ) <sup>2</sup>	(XY <sub>D</sub> ) <sup>2</sup>		(K30.7–DX.Y <sub>B</sub> –DX.Y <sub>C</sub> –DX.Y <sub>D</sub> )

- Notes:
1. Don't care (any value).
  2. Outputs for the data characters in the ordered set must be encoded to the correct data values.
  3. SOF – Start-of-frame delimiter.
  4. EOF – End-of-frame delimiter
  5. Encoded as EOF<sub>NI</sub> if TERR or PERR = 1.
  6. Encoded as EOF<sub>DTI</sub> if TERR or PERR = 1.
  7. Proper running disparity is forced before encoding these ordered sets.

Table B-2. TQ9303 Decoding

Ordered Set Input	32-Bit Decoded Output							
	Cntl	Sig	31:24 SOF		EOF	23:16 Type	15:8 BR <sub>D</sub> <sup>-(2)</sup>	7:0 BR <sub>D</sub> <sup>+(3)</sup>
SOFn1	0	0	1	0	0001		(B5 <sub>16</sub> )	(37 <sub>16</sub> )
SOFn2	0	0	1	0	0010		(B5 <sub>16</sub> )	(35 <sub>16</sub> )
SOFn3	0	0	1	0	0011		(B5 <sub>16</sub> )	(36 <sub>16</sub> )
SOFi1	0	0	1	0	0101		(B5 <sub>16</sub> )	(57 <sub>16</sub> )
SOFi2	0	0	1	0	0110		(B5 <sub>16</sub> )	(55 <sub>16</sub> )
SOFi3	0	0	1	0	0111		(B5 <sub>16</sub> )	(56 <sub>16</sub> )
SOFc1	0	0	1	0	1101		(B5 <sub>16</sub> )	(17 <sub>16</sub> )
SOFf	0	0	1	0	1000		(B5 <sub>16</sub> )	(58 <sub>16</sub> )
EOFn	0	0	0	1	0000	(95 <sub>16</sub> )	(B5 <sub>16</sub> )	(D5 <sub>16</sub> )
EOFt	0	0	0	1	0100	(95 <sub>16</sub> )	(B5 <sub>16</sub> )	(75 <sub>16</sub> )
EOFdt	0	0	0	1	1100	(95 <sub>16</sub> )	(B5 <sub>16</sub> )	(95 <sub>16</sub> )
EOFa	0	0	0	1	1001	(95 <sub>16</sub> )	(B5 <sub>16</sub> )	(F5 <sub>16</sub> )
EOFni	0	0	0	1	0001	(8A <sub>16</sub> )	(AA <sub>16</sub> )	(D5 <sub>16</sub> )
EOFdti	0	0	0	1	1101	(8A <sub>16</sub> )	(AA <sub>16</sub> )	(95 <sub>16</sub> )
Idle	0	1	0	0	0000		(95 <sub>16</sub> )	(B5 <sub>16</sub> )
R_Rdy	0	1	0	0	0110		(95 <sub>16</sub> )	(4A <sub>16</sub> )
NOS	0	1	0	0	1000		(55 <sub>16</sub> )	(BF <sub>16</sub> )
OLS	0	1	0	0	1001		(35 <sub>16</sub> )	(8A <sub>16</sub> )
LR	0	1	0	0	1010		(49 <sub>16</sub> )	(BF <sub>16</sub> )
LRR	0	1	0	0	1011		(95 <sub>16</sub> )	(BF <sub>16</sub> )
(K28.0-DX.Y <sub>B</sub> -DX.Y <sub>C</sub> -DX.Y <sub>D</sub> )	1	0	0	0	0000		(XY <sub>B</sub> )	(XY <sub>C</sub> )
(K28.1-DX.Y <sub>B</sub> -DX.Y <sub>C</sub> -DX.Y <sub>D</sub> )	1	0	0	0	0001		(XY <sub>B</sub> )	(XY <sub>C</sub> )
(K28.2-DX.Y <sub>B</sub> -DX.Y <sub>C</sub> -DX.Y <sub>D</sub> )	1	0	0	0	0010		(XY <sub>B</sub> )	(XY <sub>C</sub> )
(K28.3-DX.Y <sub>B</sub> -DX.Y <sub>C</sub> -DX.Y <sub>D</sub> )	1	0	0	0	0011		(XY <sub>B</sub> )	(XY <sub>C</sub> )
(K28.4-DX.Y <sub>B</sub> -DX.Y <sub>C</sub> -DX.Y <sub>D</sub> )	1	0	0	0	0100		(XY <sub>B</sub> )	(XY <sub>C</sub> )
(K28.5-DX.Y <sub>B</sub> -DX.Y <sub>C</sub> -DX.Y <sub>D</sub> ) <sup>1</sup>	1	0	0	0	0101		(XY <sub>B</sub> )	(XY <sub>C</sub> )
(K28.6-DX.Y <sub>B</sub> -DX.Y <sub>C</sub> -DX.Y <sub>D</sub> )	1	0	0	0	0110		(XY <sub>B</sub> )	(XY <sub>C</sub> )
(K28.7-DX.Y <sub>B</sub> -DX.Y <sub>C</sub> -DX.Y <sub>D</sub> )	1	0	0	0	0111		(XY <sub>B</sub> )	(XY <sub>C</sub> )
(K23.7-DX.Y <sub>B</sub> -DX.Y <sub>C</sub> -DX.Y <sub>D</sub> )	1	0	0	0	1000		(XY <sub>B</sub> )	(XY <sub>C</sub> )
(K27.7-DX.Y <sub>B</sub> -DX.Y <sub>C</sub> -DX.Y <sub>D</sub> )	1	0	0	0	1001		(XY <sub>B</sub> )	(XY <sub>C</sub> )
(K29.7-DX.Y <sub>B</sub> -DX.Y <sub>C</sub> -DX.Y <sub>D</sub> )	1	0	0	0	1010		(XY <sub>B</sub> )	(XY <sub>C</sub> )
(K30.7-DX.Y <sub>B</sub> -DX.Y <sub>C</sub> -DX.Y <sub>D</sub> )	1	0	0	0	1011		(XY <sub>B</sub> )	(XY <sub>C</sub> )

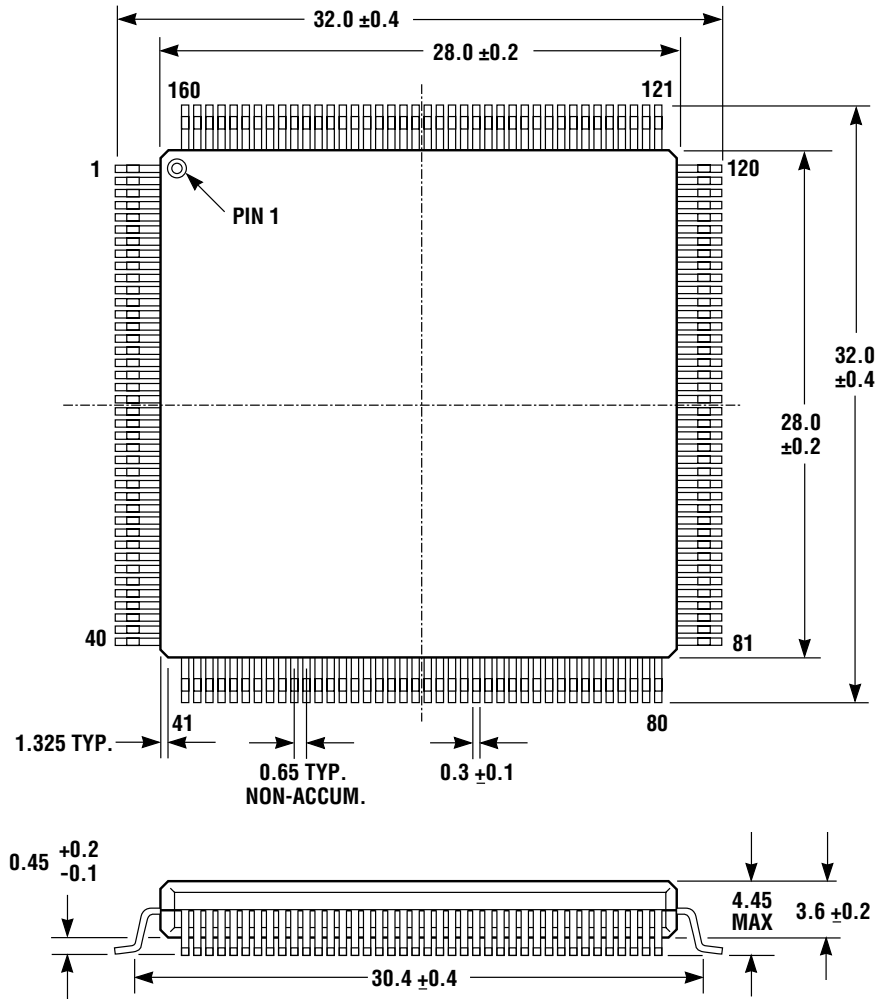
Notes: 1. Valid for any unrecognized control sequence starting with "K28.5." Not valid for acquiring Word Sync.  
 2. BR<sub>D</sub><sup>-</sup> – Beginning Running Disparity Negative.  
 3. BR<sub>D</sub><sup>+</sup> + Beginning Running Disparity Positive.

DATACOM PRODUCTS

# TQ9303

## Mechanical Specifications

Figure 11. TQ9303 PQFP Package Dimensions  
(All dimensions are in millimeters)





**Ordering Information**

**TQ9303-QC**      *Fibre Channel Encoder/Decoder*

**Supporting Products**

**TQ9501-MC**      *531/1063 Mbaud Transmitter*

**TQ9502-MC**      *531/1063 Mbaud Receiver*

**Additional Information**

For latest specifications, additional product information,  
worldwide sales and distribution locations, and information about TriQuint:

**Web:** [www.triquint.com](http://www.triquint.com)      **Tel:** (503) 615-9000  
**Email:** [sales@tqs.com](mailto:sales@tqs.com)      **Fax:** (503) 615-8900

For technical questions and additional information on specific applications:

**Email:** [applications@tqs.com](mailto:applications@tqs.com)

The information provided herein is believed to be reliable; TriQuint assumes no liability for inaccuracies or omissions. TriQuint assumes no responsibility for the use of this information, and all such information shall be entirely at the user's own risk. Prices and specifications are subject to change without notice. No patent rights or licenses to any of the circuits described herein are implied or granted to any third party. TriQuint does not authorize or warrant any TriQuint product for use in life-support devices and/or systems.

Copyright © 1997 TriQuint Semiconductor, Inc. All rights reserved.

Revision 1.1.A      November 1997