

CP800 THRU CP808

SINGLE-PHASE SILICON BRIDGE

VOLTAGE - 50 to 800 Volts CURRENT - P.C. MTG 3A, HEAT-SINK MTG 8A

CP-8

FEATURES

- Surge overload rating—200 Amperes peak
- Low forward voltage drop and reverse leakage
- Small size, simple installation
- Plastic package has Underwriter Laboratory Flammability Classification 94V-O
- Reliable low cost construction utilizing molded plastic technique

MECHANICAL DATA

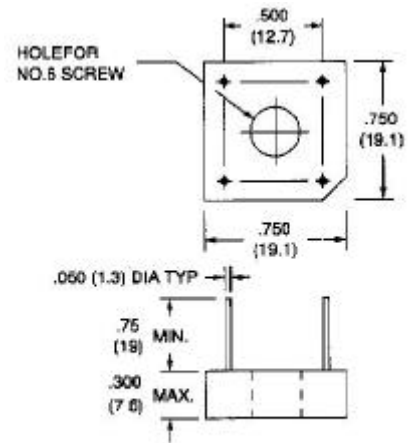
Mounting position: Any

Weight: 0.24 ounce, 6.9 grams

Terminals: Leads solderable per MIL-STD-202,

Method 208

Mounting torque: Thro hole for #6 screw



Dimensions in inches and (millimeters)

MACXIMUM RATINGS AND ELECTRICAL CHARACTERISTICS

At 25 ambient temperature unless otherwise noted; resistive or inductive load at 60Hz .

	CP800	CP801	CP802	CP804	CP806	CP808	UNITS
Max Recurrent Peak Reverse Voltage	50	100	200	400	600	800	V
Max Bridge Input Voltage RMS	35	70	140	280	420	560	V
Max Average Rectified Output at $T_C=50$ * See Fig. 2 at $T_A=40$ **	8.0						A
	3.0						A
Peak One Cycle Surge Overload Current	200						A
Max Forward Voltage Drop per element at 4.0A DC & 25 . See Fig. 3	1.1						V
Max Rev Leakage at rated Dc Blocking Voltage per element at 25 See Fig 4 at 100	10.0						A
	1.0						mA
I ² t Rating for fusing (t<8.3ms)	166						A ² Sec
Typical junction capacitance per leg (Note 4) C _J	200						pF
Typical Thermal Resistance per leg (Note 3) R _{JA}	21						/W
Typical Thermal Resistance per leg (Note 2) R _{JL}	6						
Operating Temperature Range	-55 TO +125						
Storage Temperature Range	-55 TO +150						

NOTES:

1. Bolt down on heat-sink with silicon thermal compound between bridge and mounting surface for maximum heat transfer with #6 screw.
2. Units Mounted on a 8.6"×8.6" ×24" thick (22×22×0.6cm) AL plate heatsink.
3. Units Mounted on P.C.B at 0.375"(9.5mm) lead length with 0.5×0.5"(12×12mm)copper pads.

4. Measured at 1.0MHZ and applied reverse voltage.

RATING AND CHARACTERISTIC CURVES

CP800 THRU CP808

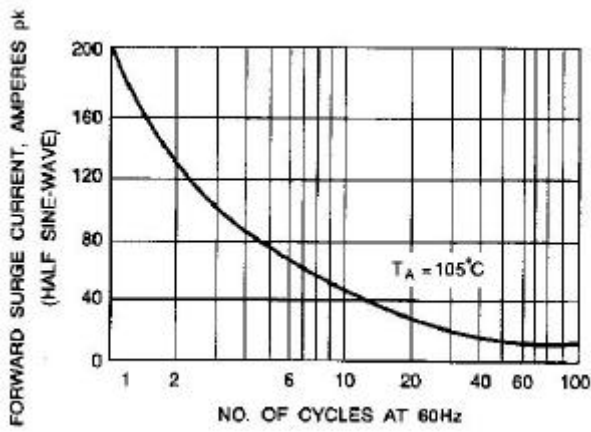


Fig. 1-NON-RECURRENT SURGE RATING

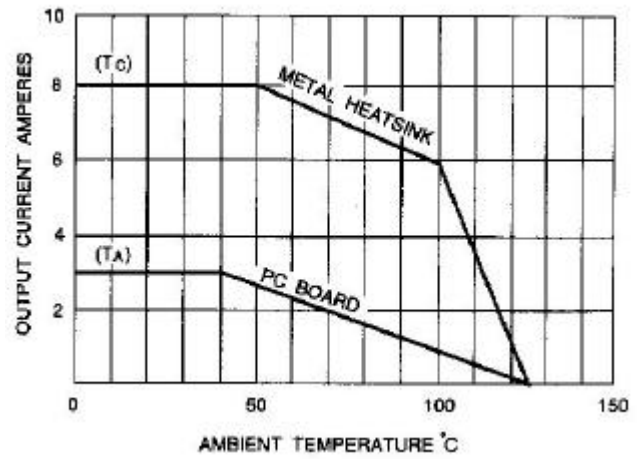


Fig. 2-DERATING CURVE FOR OUTPUT RECTIFIED CURRENT

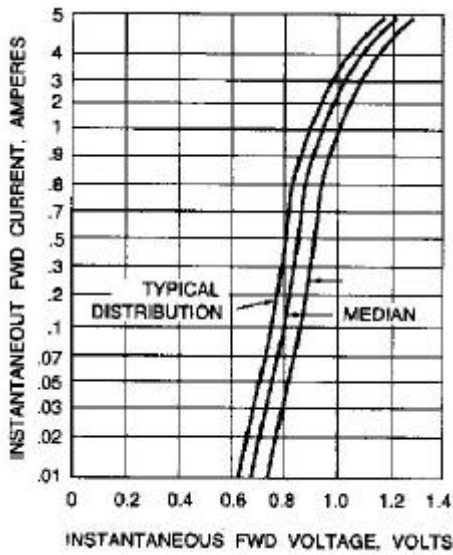


Fig. 3-TYPICAL FORWARD CHARACTERISTICS

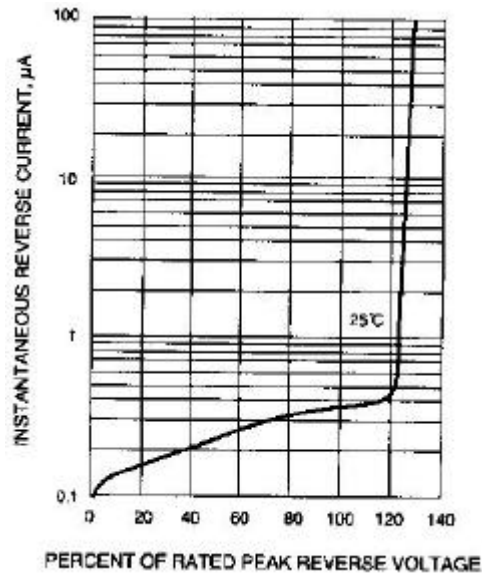


Fig. 4- TYPICAL REVERSE CHARACTERISTICS