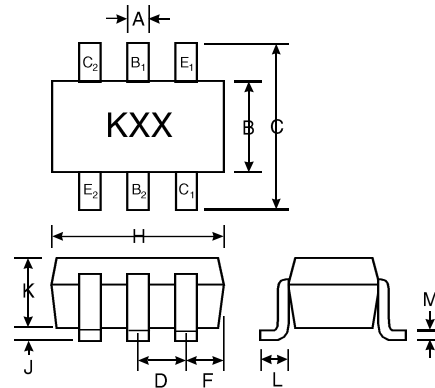


## Features

Complementary Pair  
One 3904-Type NPN,  
One 3906-Type PNP  
Epitaxial Planar Die Construction  
Ideal for Low Power Amplification and  
Switching  
Ultra-Small Surface Mount Package



SOT-363		
Dim	Min	Max
A	0.10	0.30
B	1.15	1.35
C	2.00	2.20
D	0.65 Nominal	
F	0.30	0.40
H	1.80	2.20
J		0.10
K	0.90	1.00
L	0.25	0.40
M	0.10	0.25
All Dimensions in mm		

## Mechanical Data

Case: SOT-363, Molded Plastic  
Terminals: Solderable per MIL-STD-202,  
Method 208  
Terminal Connections: See Diagram  
Marking: K46  
Weight: 0.006 grams (approx.)

E<sub>1</sub>, B<sub>1</sub>, C<sub>1</sub> = PNP3906 Section  
E<sub>2</sub>, B<sub>2</sub>, C<sub>2</sub> = NPN3904 Section

## Maximum Ratings, NPN 3904 Section @ T<sub>A</sub> = 25 C unless otherwise specified

Characteristic	Symbol		Unit
Collector-Base Voltage	V <sub>CB0</sub>	60	V
Collector-Emitter Voltage	V <sub>CE0</sub>	40	V
Emitter-Base Voltage	V <sub>EB0</sub>	6.0	V
Collector Current - Continuous (Note 1)	I <sub>C</sub>	200	mA
Power Dissipation (Note 1)	P <sub>d</sub>	200	mW
Thermal Resistance, Junction to Ambient (Note 1)	R <sub>JA</sub>	625	K/W

## Maximum Ratings, PNP 3906 Section @ T<sub>A</sub> = 25 C unless otherwise specified

Characteristic	Symbol	PNP 3906 Section	Unit
Collector-Base Voltage	V <sub>CB0</sub>	-40	V
Collector-Emitter Voltage	V <sub>CE0</sub>	-40	V
Emitter-Base Voltage	V <sub>EB0</sub>	-5.0	V
Collector Current - Continuous (Note 1)	I <sub>C</sub>	-200	mA
Power Dissipation (Note 1)	P <sub>d</sub>	200	mW
Thermal Resistance, Junction to Ambient (Note 1)	R <sub>JA</sub>	625	K/W

Notes: 1. Valid provided that terminals are kept at ambient temperature. Total device dissipation.

**Electrical Characteristics, NPN 3904 Section**

 @  $T_A = 25\text{ }^\circ\text{C}$  unless otherwise specified

Characteristic	Symbol	Min	Max	Unit	Test Condition
<b>OFF CHARACTERISTICS (Note 1)</b>					
Collector-Base Breakdown Voltage	$V_{(BR)CBO}$	60		V	$I_C = 10\text{ A}, I_E = 0$
Collector-Emitter Breakdown Voltage	$V_{(BR)CEO}$	40		V	$I_C = 1.0\text{mA}, I_B = 0$
Emitter-Base Breakdown Voltage	$V_{(BR)EBO}$	5.0	6.0	V	$I_E = 10\text{ A}, I_C = 0$
Collector Cutoff Current	$I_{CEX}$		50	nA	$V_{CE} = 30\text{V}, V_{EB(OFF)} = 3.0\text{V}$
Base Cutoff Current	$I_{BL}$		50	nA	$V_{CE} = 30\text{V}, V_{EB(OFF)} = 3.0\text{V}$
<b>ON CHARACTERISTICS (Note 1)</b>					
DC Current Gain	$h_{FE}$	40 70 100 60 30	300		$I_C = 100\mu\text{A}, V_{CE} = 1.0\text{V}$ $I_C = 1.0\text{mA}, V_{CE} = 1.0\text{V}$ $I_C = 10\text{mA}, V_{CE} = 1.0\text{V}$ $I_C = 50\text{mA}, V_{CE} = 1.0\text{V}$ $I_C = 100\text{mA}, V_{CE} = 1.0\text{V}$
Collector-Emitter Saturation Voltage	$V_{CE(SAT)}$		0.20 0.30	V	$I_C = 10\text{mA}, I_B = 1.0\text{mA}$ $I_C = 50\text{mA}, I_B = 5.0\text{mA}$
Base- Emitter Saturation Voltage	$V_{BE(SAT)}$	0.65	0.85 0.95	V	$I_C = 10\text{mA}, I_B = 1.0\text{mA}$ $I_C = 50\text{mA}, I_B = 5.0\text{mA}$
<b>SMALL SIGNAL CHARACTERISTICS</b>					
Output Capacitance	$C_{obo}$		4.0	pF	$V_{CB} = 5.0\text{V}, f = 1.0\text{MHz}, I_E = 0$
Input Capacitance	$C_{ibo}$		8.0	pF	$V_{EB} = 0.5\text{V}, f = 1.0\text{MHz}, I_C = 0$
Input Impedance	$h_{ie}$	1.0	10	k	$V_{CE} = 10\text{V}, I_C = 1.0\text{mA},$ $f = 1.0\text{kHz}$
Voltage Feedback Ratio	$h_{re}$	0.5	8.0	$\times 10^{-4}$	
Small Signal Current Gain	$h_{fe}$	100	400		
Output Admittance	$h_{oe}$	1.0	40	S	
Current Gain-Bandwidth Product	$f_T$	300		MHz	
Noise Figure	NF		5.0	dB	$V_{CE} = 5.0\text{V}, I_C = 100\text{ A},$ $R_S = 1.0\text{k } f = 1.0\text{kHz}$
<b>SWITCHING CHARACTERISTICS</b>					
Delay Time	$t_d$		35	ns	$V_{CC} = 3.0\text{V}, I_C = 10\text{mA},$ $V_{BE(off)} = -0.5\text{V}, I_{B1} = 1.0\text{mA}$
Rise Time	$t_r$		35	ns	
Storage Time	$t_s$		200	ns	$V_{CC} = 3.0\text{V}, I_C = 10\text{mA},$ $I_{B1} = I_{B2} = 1.0\text{mA}$
Fall Time	$t_f$		50	ns	

 Notes: 1. Pulse test: Pulse width 300  $\mu\text{s}$ , duty cycle 2%.

**Electrical Characteristics, PNP 3906 Section**

 @  $T_A = 25\text{ C}$  unless otherwise specified

Characteristic	Symbol	Min	Max	Unit	Test Condition
<b>OFF CHARACTERISTICS (Note 1)</b>					
Collector-Base Breakdown Voltage	$V_{(BR)CBO}$	-40		V	$I_C = -10\text{ A}, I_E = 0$
Collector-Emitter Breakdown Voltage	$V_{(BR)CEO}$	-40		V	$I_C = -1.0\text{mA}, I_B = 0$
Emitter-Base Breakdown Voltage	$V_{(BR)EBO}$	-5.0		V	$I_E = -10\text{ A}, I_C = 0$
Collector Cutoff Current	$I_{CEX}$		-50	nA	$V_{CE} = -30\text{V}, V_{EB(OFF)} = -3.0\text{V}$
Base Cutoff Current	$I_{BL}$		-50	nA	$V_{CE} = -30\text{V}, V_{EB(OFF)} = -3.0\text{V}$
<b>ON CHARACTERISTICS (Note 1)</b>					
DC Current Gain	$h_{FE}$	60 80 100 60 30	300		$I_C = -100\mu\text{A}, V_{CE} = -1.0\text{V}$ $I_C = -1.0\text{mA}, V_{CE} = -1.0\text{V}$ $I_C = -10\text{mA}, V_{CE} = -1.0\text{V}$ $I_C = -50\text{mA}, V_{CE} = -1.0\text{V}$ $I_C = -100\text{mA}, V_{CE} = -1.0\text{V}$
Collector-Emitter Saturation Voltage	$V_{CE(SAT)}$		-0.25 -0.40	V	$I_C = -10\text{mA}, I_B = -1.0\text{mA}$ $I_C = -50\text{mA}, I_B = -5.0\text{mA}$
Base- Emitter Saturation Voltage	$V_{BE(SAT)}$	-0.65	-0.85 -0.95	V	$I_C = -10\text{mA}, I_B = -1.0\text{mA}$ $I_C = -50\text{mA}, I_B = -5.0\text{mA}$
<b>SMALL SIGNAL CHARACTERISTICS</b>					
Output Capacitance	$C_{obo}$		4.5	pF	$V_{CB} = -5.0\text{V}, f = 1.0\text{MHz}, I_E = 0$
Input Capacitance	$C_{ibo}$		10	pF	$V_{EB} = -0.5\text{V}, f = 1.0\text{MHz}, I_C = 0$
Input Impedance	$h_{ie}$	2.0	12	k	$V_{CE} = 10\text{V}, I_C = 1.0\text{mA},$ $f = 1.0\text{kHz}$
Voltage Feedback Ratio	$h_{re}$	0.1	10	$\times 10^{-4}$	
Small Signal Current Gain	$h_{fe}$	100	400		
Output Admittance	$h_{oe}$	3.0	60	S	
Current Gain-Bandwidth Product	$f_T$	250		MHz	
Noise Figure	NF		4.0	dB	$V_{CE} = -5.0\text{V}, I_C = -100\text{ A},$ $R_S = 1.0\text{k } f = 1.0\text{kHz}$
<b>SWITCHING CHARACTERISTICS</b>					
Delay Time	$t_d$		35	ns	$V_{CC} = -3.0\text{V}, I_C = -10\text{mA},$ $V_{BE(off)} = 0.5\text{V}, I_{B1} = -1.0\text{mA}$
Rise Time	$t_r$		35	ns	
Storage Time	$t_s$		225	ns	$V_{CC} = -3.0\text{V}, I_C = -10\text{mA},$ $I_{B1} = I_{B2} = -1.0\text{mA}$
Fall Time	$t_f$		75	ns	

 Note: 1. Pulse test: Pulse width 300  $\mu$ s, duty cycle 2%.