

X Band Driver Amplifier

GaAs Monolithic Microwave IC

Description

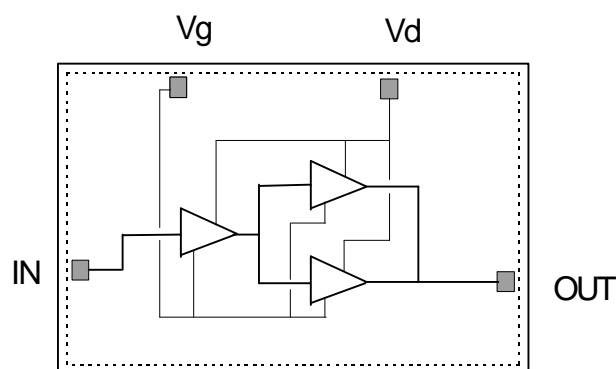
This CHA5010b is a two-stage monolithic driver amplifier.

The circuit is manufactured with a standard MESFET process : via holes through the substrate, air bridges and electron beam gate lithography.

It is available in chip form.

Main Features

- | Broadband performance : 9-10.5GHz
- | 27dBm output power
(pulsed meas., -1dB gain compression)
- | 15dB gain
- | ± 1.5 dB gain flatness
- | Chip size : 2,09 x 1,27 x 0.10 mm



Main Characteristics

Tamb. = 25°C

Symbol	Parameter	Min	Typ	Max	Unit
Fop	Operating frequency range	9		10.5	GHz
G	Small signal gain	14	15		dB
Pout	Output power (Pulsed meas., Pin = +13dBm)	26	27		dBm

ESD Protection : Electrostatic discharge sensitive device. Observe handling precautions !

Electrical Characteristics (1)

Tamb = +25°C, Vd = 8V, Vg = -1.5V

Symbol	Parameter	Min	Typ	Max	Unit
Fop	Operating frequency range	9		10.5	GHz
G	Small signal gain @ Pin = +5dBm	14	15		dB
ΔG	Small signal gain flatness		± 1.5		dB
P1db	Pulsed output power @ Pin = +13dBm	26	27		dBm
PAE	Power added efficiency at saturation		15		%
VSWRin	Input VSWR (2)			2.0:1	
Id	Bias current			520	mA

(1) These values are representative of on-wafer pulsed measurements that are made without bonding wires at the RF ports.

(2) Vd = 3.5V, Vg = -1.5V, [S] parameter measurements.

Absolute Maximum Ratings (1)

Tamb = +25°C

Symbol	Parameter	Values	Unit
Vd	Positive supply voltage	+10	V
Pdiss	Maximum power dissipated	7.0 @ Ta = +25°C 4.3 @ Ta = +70°C	W
Vg	Negative supply voltage	-3.5 to 0	V
Pin	Maximum peak input power overdrive (2)	+20	dBm
Ta	Operating temperature range	-25 to +70	°C
Tstg	Storage temperature range	-55 to +125	°C

(1) Operation of this device above any of these parameters may cause permanent damage.

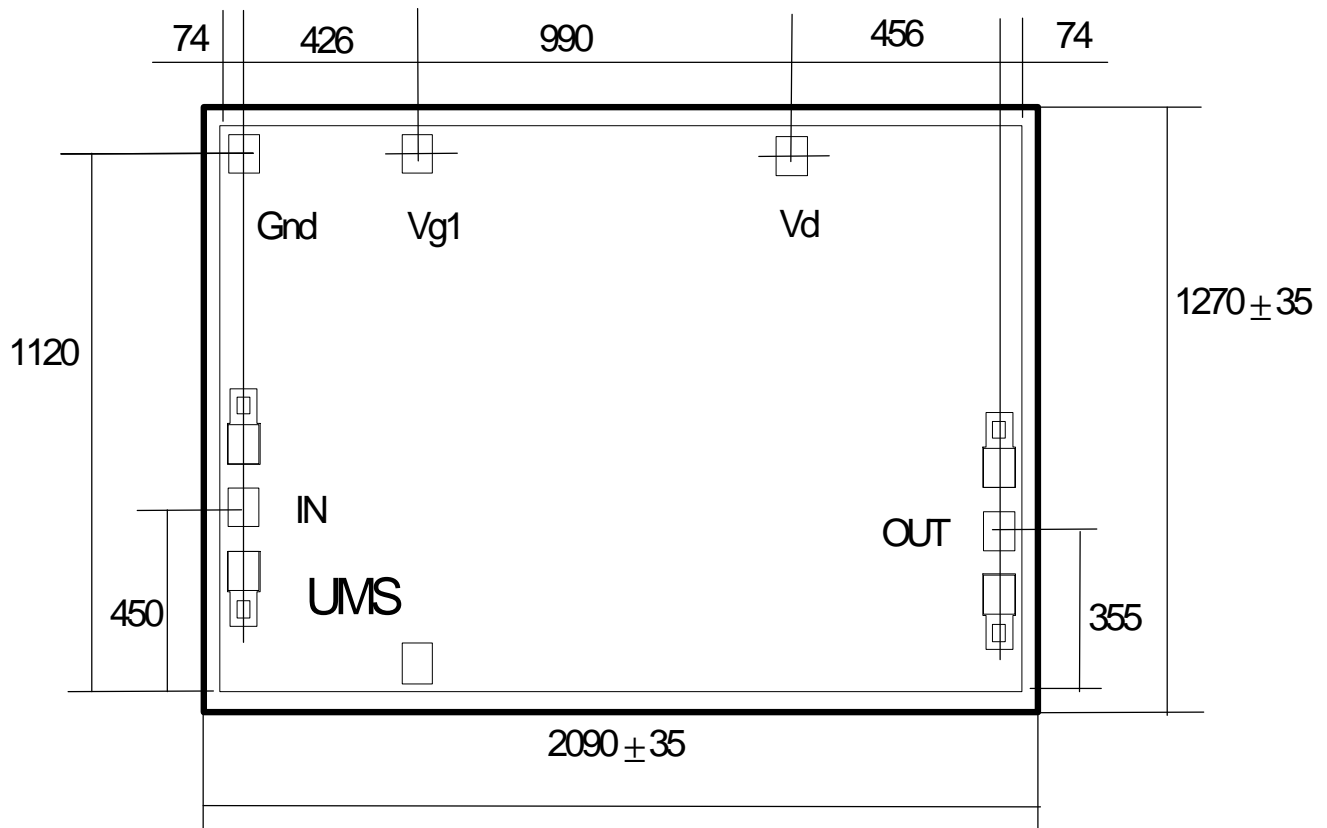
(2) Duration < 1s.

Typical On Wafer Scattering Parameters

Tamb = +25°C, Bias Conditions : Vd = +3.5V, Vg = -1.5V

Freq. GHz	S11 dB	S11 /°	S12 dB	S12 /°	S21 dB	S21 /°	S22 dB	S22 /°
2.00	-5.35	-109.2	-55.93	-22.8	-17.94	61.1	-0.89	-113.5
2.50	-3.66	-124.6	-49.08	-104.8	-12.92	-13.8	-5.12	-132.4
3.00	-2.44	-139.2	-55.27	146.9	-22.15	-111.5	-1.14	-127.3
3.50	-1.64	-153.7	-65.52	-164.9	-32.08	-148.9	-0.66	-148.8
4.00	-1.23	-168.0	-65.41	174.6	-41.95	173.3	-0.79	-166.6
4.50	-1.14	178.2	-66.55	111.1	-55.23	170.7	-1.10	175.7
5.00	-1.35	164.6	-62.69	58.7	-41.77	-130.7	-1.69	157.1
5.50	-1.85	150.7	-63.21	17.3	-24.61	-130.4	-2.70	135.3
6.00	-2.76	136.2	-61.27	25.1	-7.89	177.7	-4.52	107.9
6.50	-4.02	121.9	-52.79	-30.6	0.85	102.2	-7.17	70.7
7.00	-5.77	103.0	-45.72	-76.9	6.90	45.0	-9.17	6.2
7.50	-9.90	70.0	-38.39	-139.7	13.60	-16.2	-6.75	-76.9
8.00	-30.64	-156.2	-33.93	139.3	17.69	-100.9	-7.63	-155.2
8.50	-16.21	158.2	-34.35	72.7	16.58	-171.5	-17.46	-143.4
9.00	-17.14	154.5	-34.69	26.2	15.54	138.6	-10.44	-121.2
9.50	-16.15	161.7	-34.10	-15.8	15.56	93.0	-6.80	-145.7
10.00	-14.23	140.0	-32.64	-63.2	16.05	42.9	-5.52	177.5
10.50	-14.32	79.1	-32.41	-118.3	15.80	-15.8	-6.78	121.5
11.00	-12.68	-4.8	-34.15	-174.5	13.21	-75.2	-9.67	41.0
11.50	-9.50	-53.5	-37.14	140.8	9.36	-123.9	-8.56	-26.9
12.00	-7.26	-78.7	-40.31	103.6	5.50	-164.3	-6.54	-61.6
12.50	-5.60	-94.5	-43.56	69.4	1.81	159.5	-5.09	-81.6
13.00	-4.23	-106.5	-46.48	44.1	-1.77	125.7	-4.02	-95.5
13.50	-3.17	-117.0	-49.61	13.0	-5.36	93.8	-3.23	-105.9
14.00	-2.32	-126.3	-51.81	-18.7	-8.95	63.3	-2.58	-114.3
14.50	-1.69	-134.9	-54.83	-53.3	-12.57	33.7	-2.06	-121.6
15.00	-1.28	-142.7	-59.52	-66.4	-16.24	4.8	-1.66	-128.1
15.50	-0.91	-149.7	-62.73	-147.8	-19.95	-24.0	-1.34	-134.2
16.00	-0.69	-155.9	-61.49	170.2	-24.09	-53.2	-1.07	-139.8
16.50	-0.54	-161.7	-68.06	127.7	-28.46	-82.7	-0.85	-145.0
17.00	-0.43	-166.8	-58.31	125.2	-33.59	-109.6	-0.69	-149.6
17.50	-0.40	-171.6	-58.30	126.4	-38.98	-136.5	-0.56	-154.0
18.00	-0.38	-175.6	-63.76	97.9	-45.29	-159.7	-0.45	-157.7

Chip Mechanical Data



All dimensions are in micrometers

Pads : 100μm x 100μm
 Thickness: 100μm ± 10μm

Ordering Information

Chip form : CHA5010b99F/00

Information furnished is believed to be accurate and reliable. However **United Monolithic Semiconductors S.A.S.** assumes no responsibility for the consequences of use of such information nor for any infringement of patents or other rights of third parties which may result from its use. No license is granted by implication or otherwise under any patent or patent rights of **United Monolithic Semiconductors S.A.S.** Specifications mentioned in this publication are subject to change without notice. This publication supersedes and replaces all information previously supplied. **United Monolithic Semiconductors S.A.S.** products are not authorised for use as critical components in life support devices or systems without express written approval from **United Monolithic Semiconductors S.A.S.**