

# T-1 3/4 ( f5mm) HIGH POWER AlInGaP LED LAMPs

## MVL-534SO

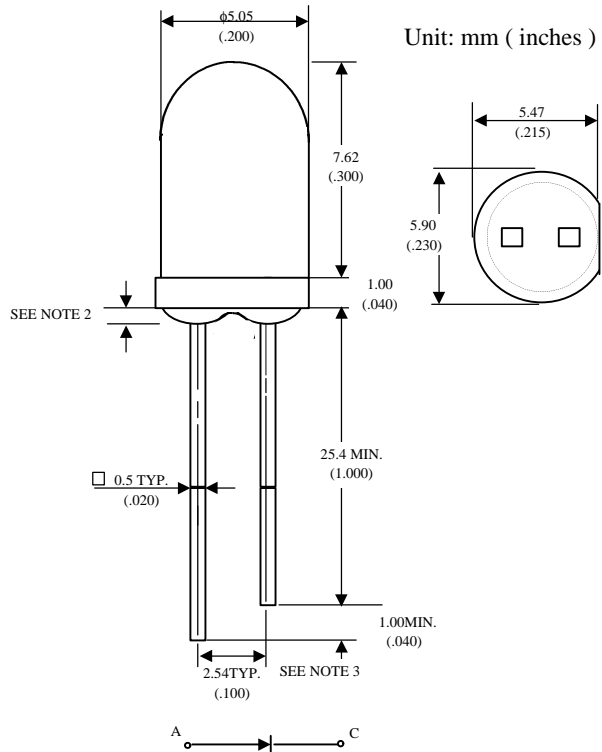
### Description

The MVL-534SO , utilizes the latest absorbing substrate aluminum indium gallium phosphide (AlInGaP) LED technology. This LED material has outstanding light output efficiency over a wide range of drive current. The package is T-1 3/4(5mm) water clear standard type.

### Features

- Ultra - brightness
- Low power consumption
- TTL compatible
- Reliable

### Package Dimensions



#### Notes :

1. Tolerance is  $\pm 0.25$  mm (.010") unless otherwise noted.
2. Protruded resin under flange is 1.5 mm (.059") max.
3. Lead spacing is measured where the leads emerge from the package.

### Absolute Maximum Ratings

@  $T_A=25^\circ\text{C}$

Parameter	Symbol	Maximum Rating	Unit
Power Dissipation	$P_{ad}$	125	mW
Peak Forward Current(1/10 Duty Cycle 100 $\mu$ s pulse )	$I_{pf}$	200	mA
Transient Forward Current (10 $\mu$ sec Pulse)	$I_{tr}$	500	mA
Continuous Forward Current	$I_{af}$	50	mA
Reverse Voltage	$V_R$	5	V
Operating Temperature Range	$T_{opr}$	-40 $^\circ\text{C}$ to +100 $^\circ\text{C}$	
Storage Temperature Range	$T_{stg}$	-40 $^\circ\text{C}$ to +100 $^\circ\text{C}$	
Lead Soldering Temperature 1.6 mm from body for 5 seconds at 260 $^\circ\text{C}$			



Unity Opto Technology Co., Ltd.

09/05/2000

## Optical-Electrical Characteristics

Parameter	Test Conditions	Symbol	Min.	Typ .	Max .	Unit .
Luminous Intensity	$I_F=20\text{mA}$	$I_V$	700	2400	-	mcd
Forward Voltage	$I_F=20\text{mA}$	$V_F$	-	2.0	2.6	V
Reverse Current	$V_R=5\text{V}$	$I_R$	-	-	100	$\mu\text{A}$
Peak Emission Wavelength	$I_F=20\text{mA}$	$\lambda_d$	-	610	-	nm
Spectral Line Half Width	$I_F=20\text{mA}$	$\Delta\lambda$	-	13	-	nm
Viewing Angle	$I_F=20\text{mA}$	$2\theta_{1/2}$	-	23	-	deg.

## Typical Optical-Electrical Characteristic Curves

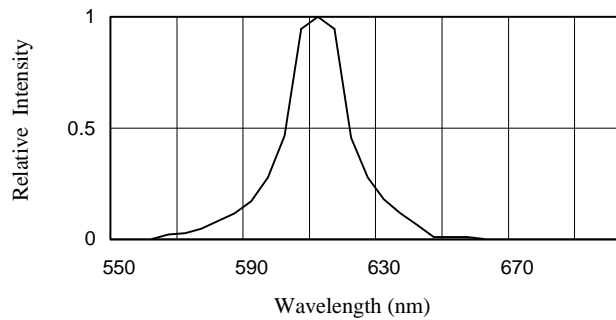


FIG.1 SPECTRAL DISTRIBUTION

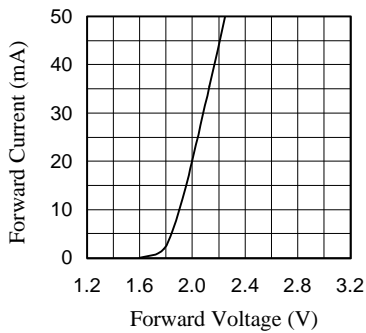


FIG.2 FORWARD CURRENT VS. FORWARD VOLTAGE

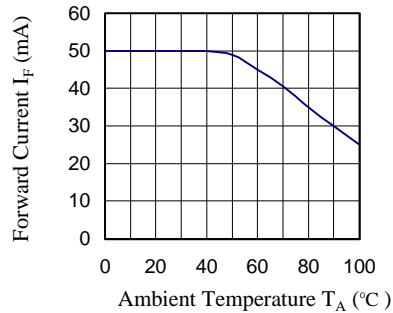


FIG.3 FORWARD CURRENT VS. AMBIENT TEMPERATURE

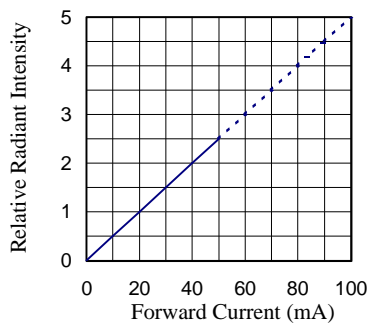


FIG.4 RELATIVE RADIANT INTENSITY VS. FORWARD CURRENT

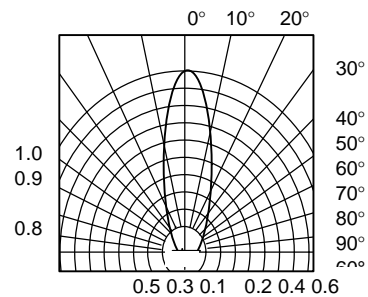


FIG.5 RADIATION DIAGRAM