

# Rectifier Diode

## D40



### Technical Data

Typical applications :All purpose high power rectifier diodes, Non-controllable and half controlled rectifiers .

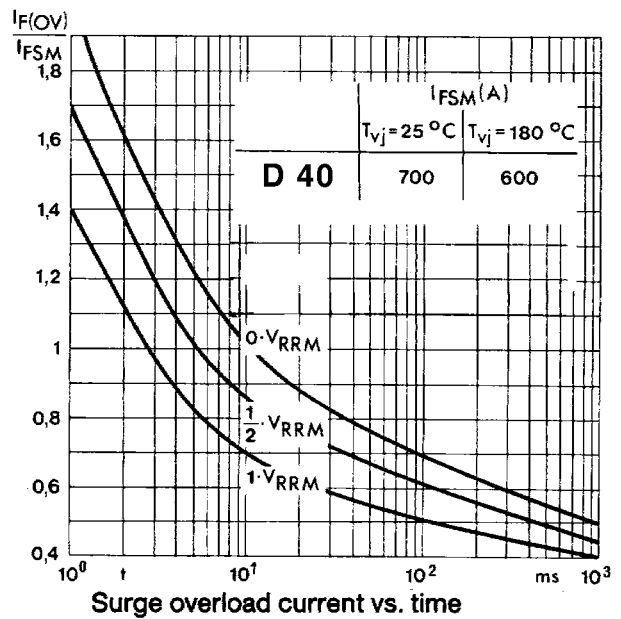
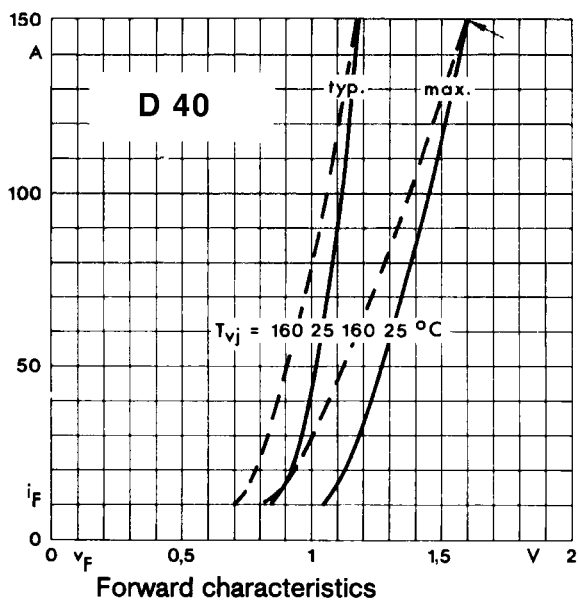
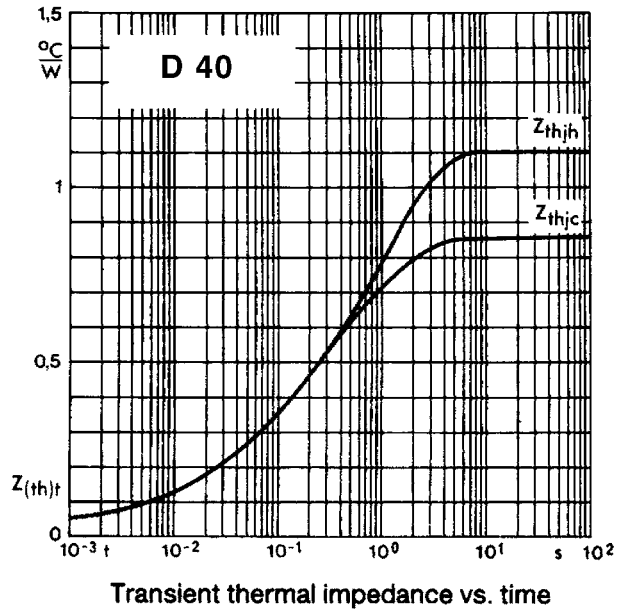
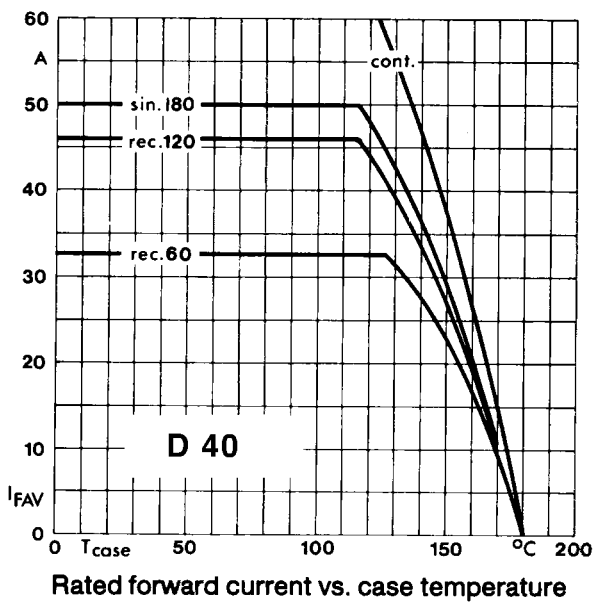
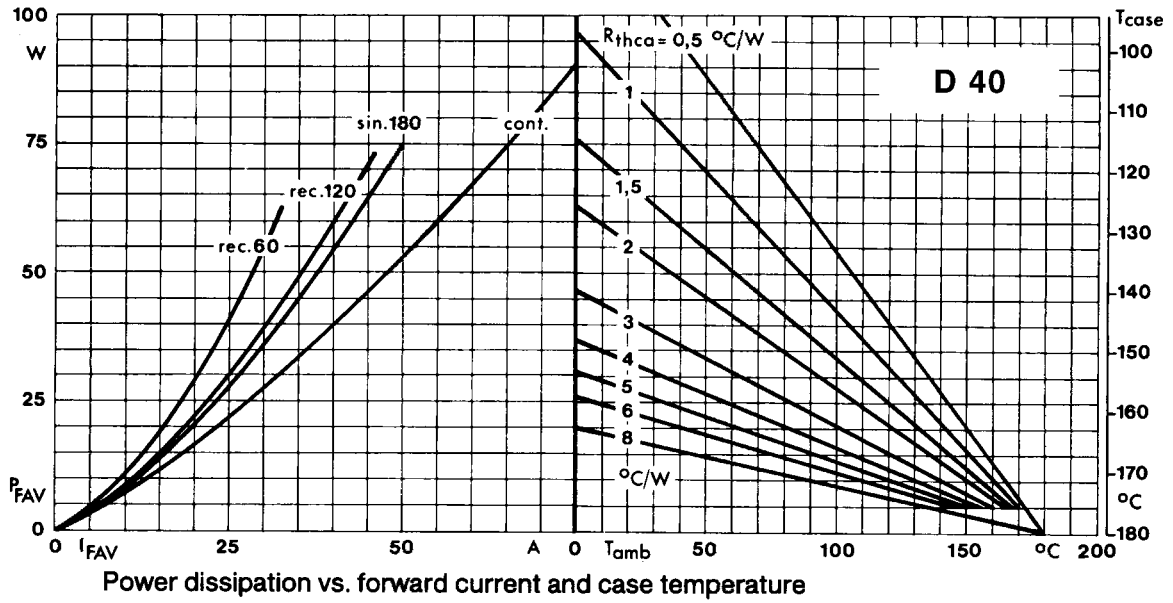
Type No.	$V_{RRM}$ (Volts)	$V_{RSM}$ (Volts)
D40/02	200	300
D40/04	400	500
D40/08	800	900
D40/12	1200	1300
D40/16	1600	1700

### Features

- Reverse voltage upto 1600V.
- Hermetic glass to metal seal
- C : Cathode to stud
- A : Anode to stud

Symbol	Conditions	Values
$I_{F(AV)}$	Sin 180 ; T <sub>case</sub> = 125 °C	40 A
$I_{FSM}$	T <sub>vj</sub> = 25 °C ; 10 ms	700 A
	T <sub>vj</sub> = 180 °C ; 10 ms	600 A
I <sup>2</sup> t	T <sub>vj</sub> = 25 °C	2500 A <sup>2</sup> s
	T <sub>vj</sub> = 180 °C	1800 A <sup>2</sup> s
$I_{RRM}$	T <sub>vj</sub> = 180 °C	10 mA max
$V_F$	T <sub>vj</sub> = 25 °C ; I <sub>F</sub> = 150 A	1.6 V max
$V_0$	T <sub>vj</sub> = 180 °C	0.85 V
$R_0$	T <sub>vj</sub> = 180 °C	5 m
$R_{th(j-c)}$		0.85 °C/W
$R_{th(c-h)}$		0.25 °C/W
$T_{vj}$		180 °C
$T_{stg}$		-40.....+ 180 °C
Mounting torque	SI units	4 Nm
Weight	Approx	30 g
Case outline		D/L

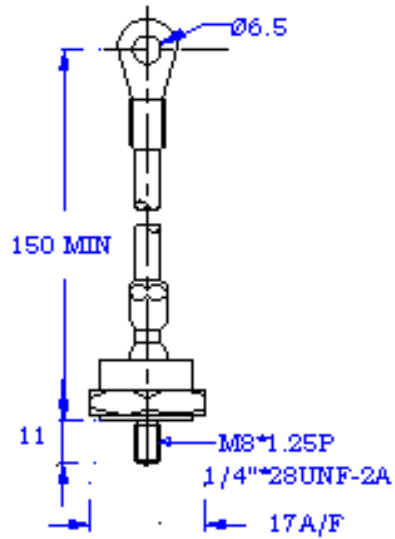




PACAKAGE DEATILS

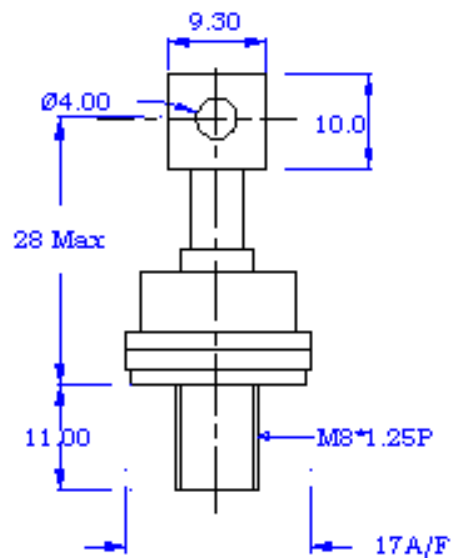
DO NOT SCALE

All Dimensions in mm



Mounting Torque 4NM

D



Mounting Torque 4NM

L